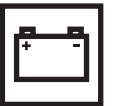
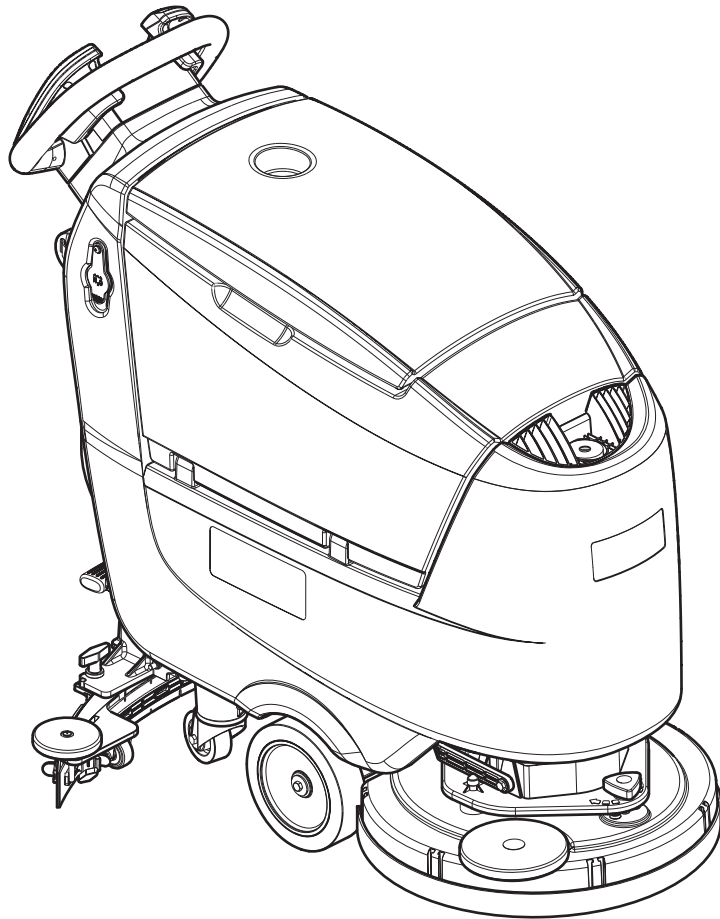


# SC500

ecoflex™



## PARTS LIST

**Model:** 9087352020 - 9087353020





**TABLE OF CONTENTS**

GENERAL VIEW .....	2
SOLUTION TANK.....	4
RECOVERY TANK .....	6
MOTOR DRIVE .....	8
MOTOR DRIVE (MODEL ADVANCE) .....	10
PADDLE AND DASHBOARD .....	12
REAR WHEELS .....	14
SQUEEGEE SYSTEM.....	16
DISC DECK .....	18
REV DECK .....	20
REV DECK .....	21
ELECTRICAL COMPONENTS.....	22
ELECTRICAL COMPONENTS (ADVANCE) .....	24
BATTERY CHARGER .....	26
ECOFLEX SYSTEM.....	28
ACCESSORIES.....	30
ACCESSORIES.....	32
ACCESSORIES.....	34
WIRING DIAGRAM .....	36
RECOMMENDED PARTS.....	38
OPTIONAL .....	39

**WHEN ORDERING PARTS**

- \* Use the part numbers from the "Ref. No." columns in this parts list.
- \* Specify the model and serial number of the machine.
- \* Use the space below to record the model and serial number for future reference.

Model

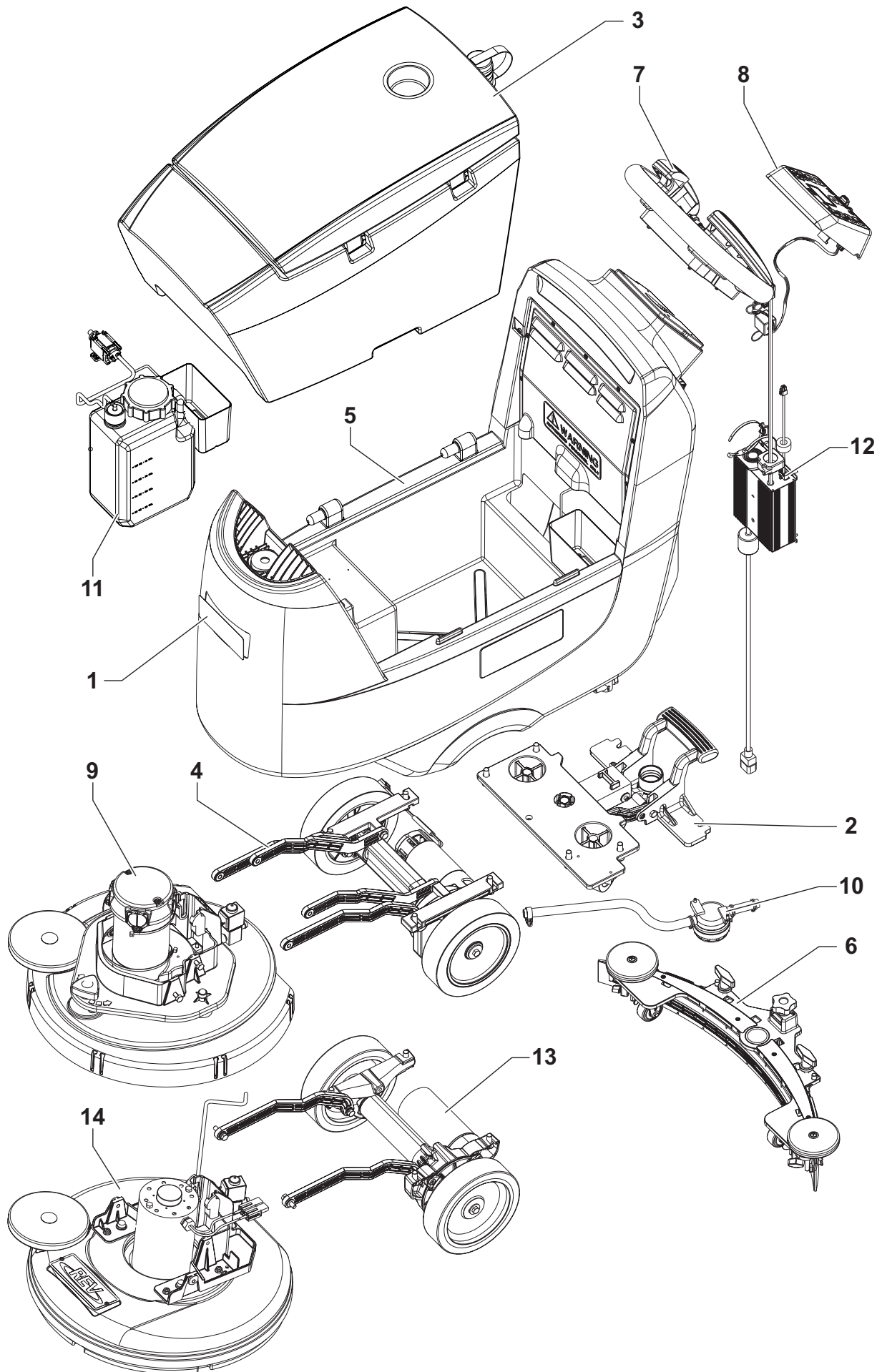
Serial No.

\* = Optional

# = Modified item No. or New item No.

[ ] = Not shown

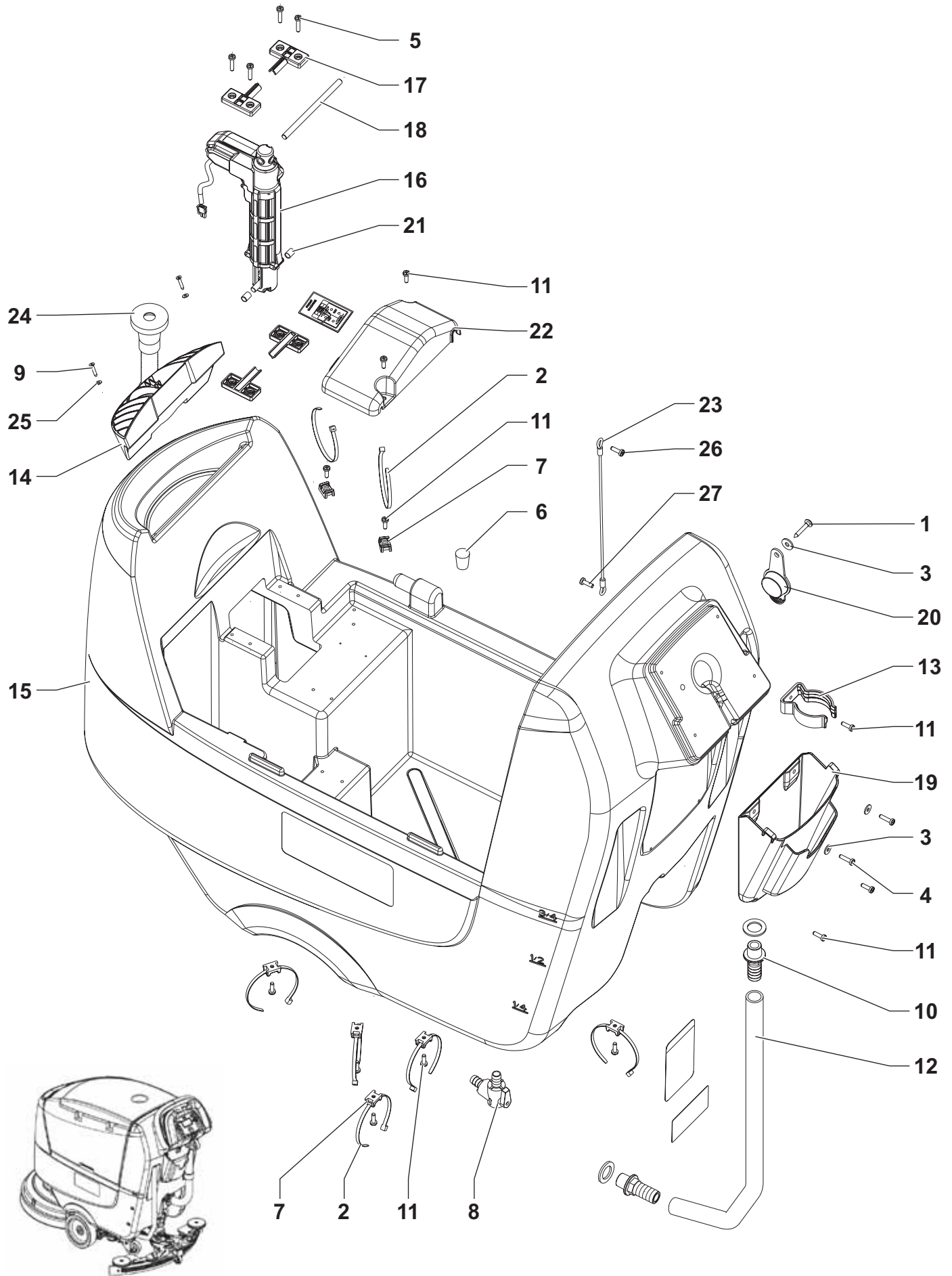
## GENERAL VIEW



**GENERAL VIEW**

KIT	ITEM	REF. NO.	QTY	DESCRIPTION
	1	9100000736	1	DECALS ADVANCE SC500 KIT
	2	-	1	WHEELS REAR-SQUEEGEE ASSEMBLY
	3	-	1	TANK RECOVERY ASSEMBLY
	4	-	1	MOTOR DRIVE ASSEMBLY
	5	-	1	TANK SOLUTION ASSEMBLY
	6	-	1	SQUEEGEE ASSEMBLY
	7	-	1	PADDLE ASSEMBLY
	8	-	1	PANEL CONTROL ASSEMBLY
	9	-	1	DECK BRUSH ASSEMBLY
	10	-	1	SYSTEM SOLUTION ASSEMBLY
	11	-	1	ECOFLEX ASSEMBLY
	12	-	1	CHARGER BATTERY ASSEMBLY
	13	-	1	REV MOTOR DRIVE ASSEMBLY
	14	-	1	REV BRUSH ASSEMBLY

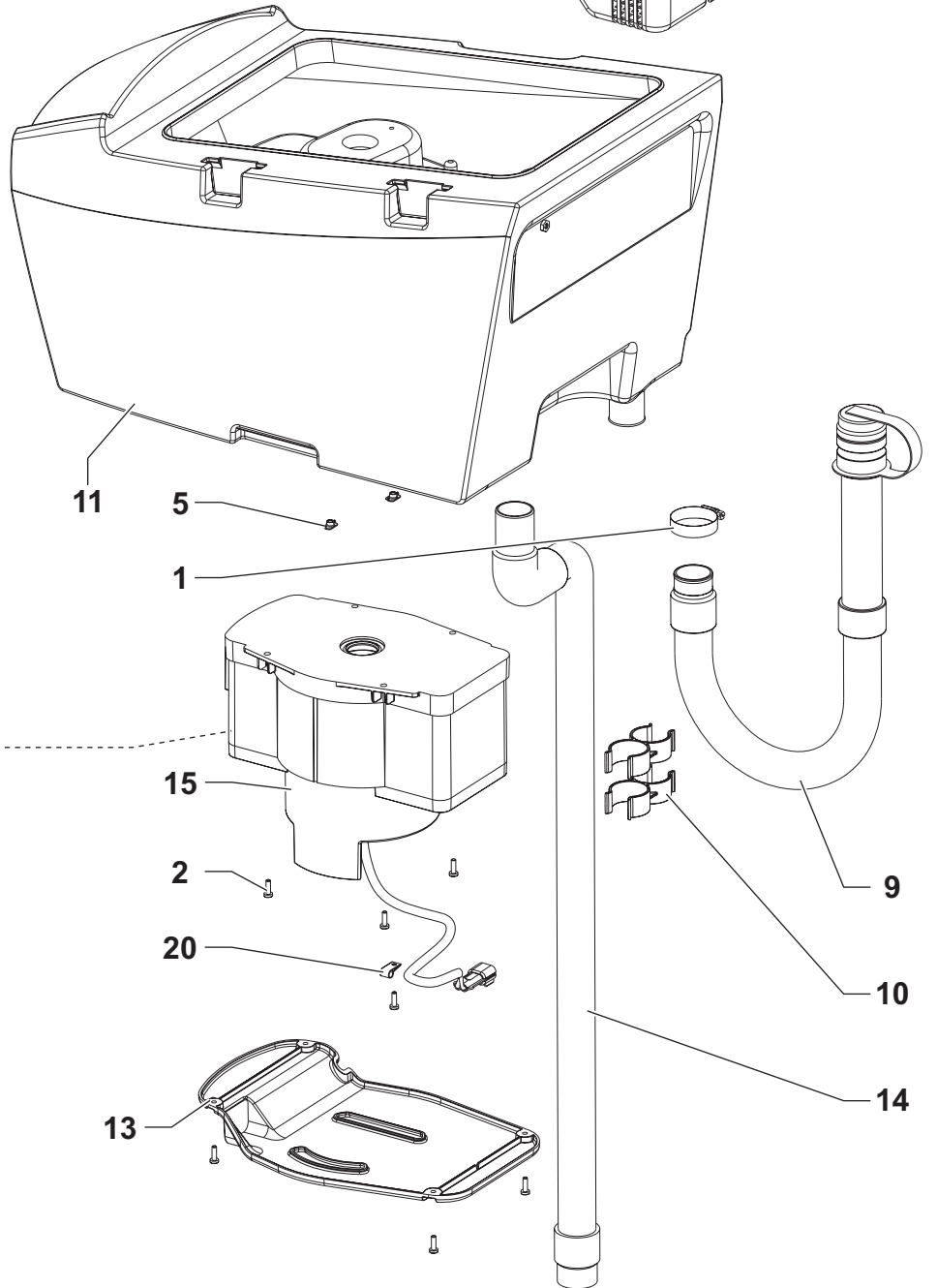
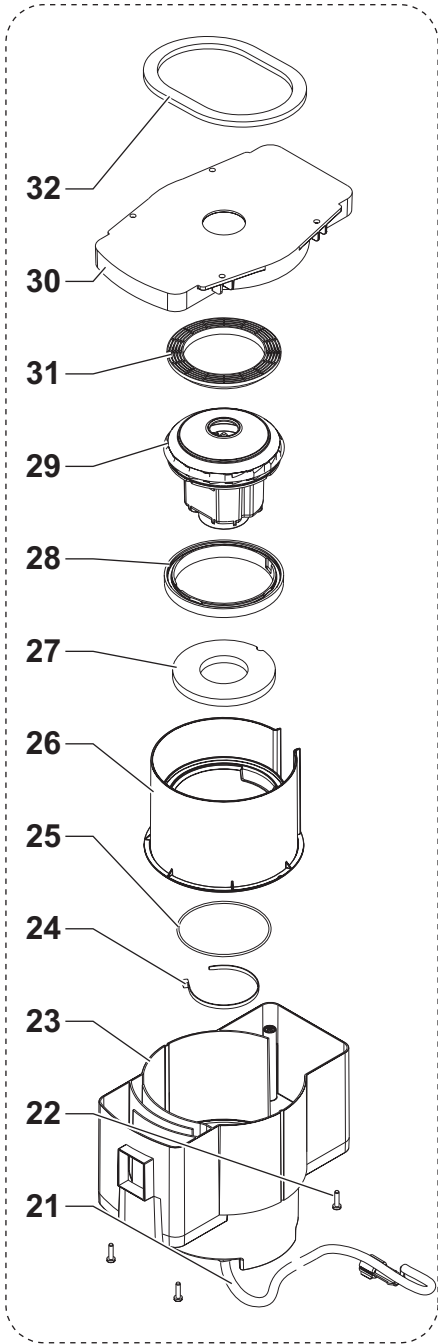
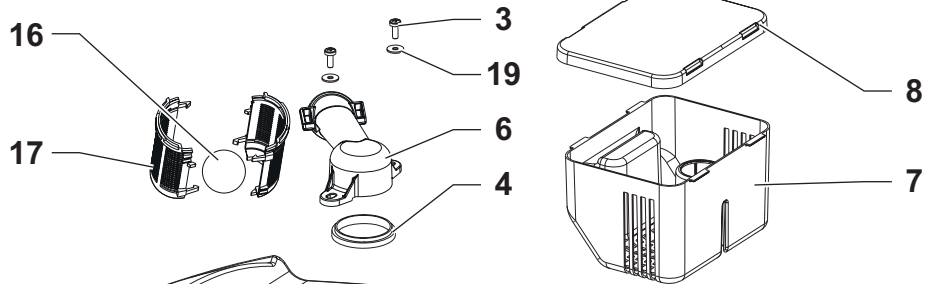
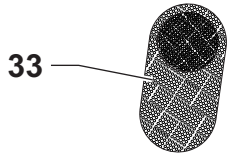
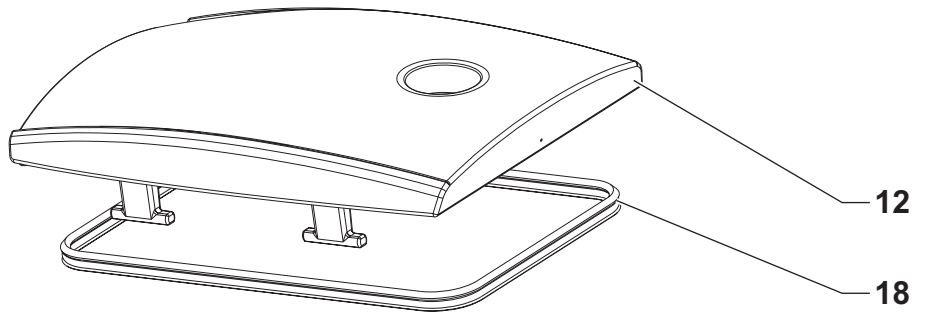
SOLUTION TANK



## SOLUTION TANK

KIT	ITEM	REF. NO.	QTY	DESCRIPTION
K2	1		1	SCREW 5X35 SELF THD TAPPING AW20 BLACK
K2	2		8	TIE CABLE 4.8x200 BLACK
K2	3		1	WASHER 6X18X1.5 UNI6593 SS
K2	4		2	SCREW CYL HD 5X20 SELF L. PLASTOFAST
K1	5		4	SCREW CYL HD 5X25 SELF L. PLASTOFAST
K2	6		1	CAP BLACK
K2	7		8	HOLDER.FLAT TIE
	8	9100000803	1	VALVE ELBOW PKD
K2	9		2	SCREW 3.9X22 UNI6955 SS
	10	9100000574	2	FITTING STRAIGHT G1/2 D.20 KIT
K2	11		13	SCREW CYL HD 5X16 SELF L. PLASTOFAST
	12	9098446000	1	HOSE SOLUTION
	13	909 6380 000	1	CLAMP KIT
	14	9100000899	1	FILTER WATER INLET PKD
	15	9100000804	1	TANK SOLUTION 40 LT GREY PKD
	16A	9100000805	1	ACTUATOR LINEAR 24V DC STRK 120MM PKD
	16B	9100000806	1	ACTUATOR LINEAR 24V DC STRK 98MM PKD
K1	17		4	PLATE FOR JACK MOTOR RETAINER
K1	18		1	PIN CYLINDR. D.8X140 ISO2338 NO TEMPERED
	19	9100000807	1	BOX F CHARGER CABLE PKD
	20	9100000808	1	RUBBER SOLUTION CAP PKD
K1	21		2	BEARING CYLINDRICAL IGUS GSM-0809-12
	22	9100000809	1	COVER CHEMICAL MIX PUMP PKD
K3	23		1	CABLE SAFETY F TANK
	<b>24*</b>	<b>9100000703</b>	<b>1</b>	<b>HOSE FILLING</b>
K2	25		2	WASHER M4 UNI6592 SS
K3	26		1	SCREW CYL HD 5X16 SELF L. PLASTOFAST
K3	27		1	SCREW M5X16 UNI7687 SS
	[K1]	9100000737	1	ACTUATOR FIXING KIT
	[K2]	9100000738	1	HARDWARE SOLUTION TANK KIT
	[K3]	9100000794	1	CABLE SAFETY F TANK KIT
	A:	FOR DISC DECK VERSION		
	B:	FOR REV DECK VERSION		

RECOVERY TANK

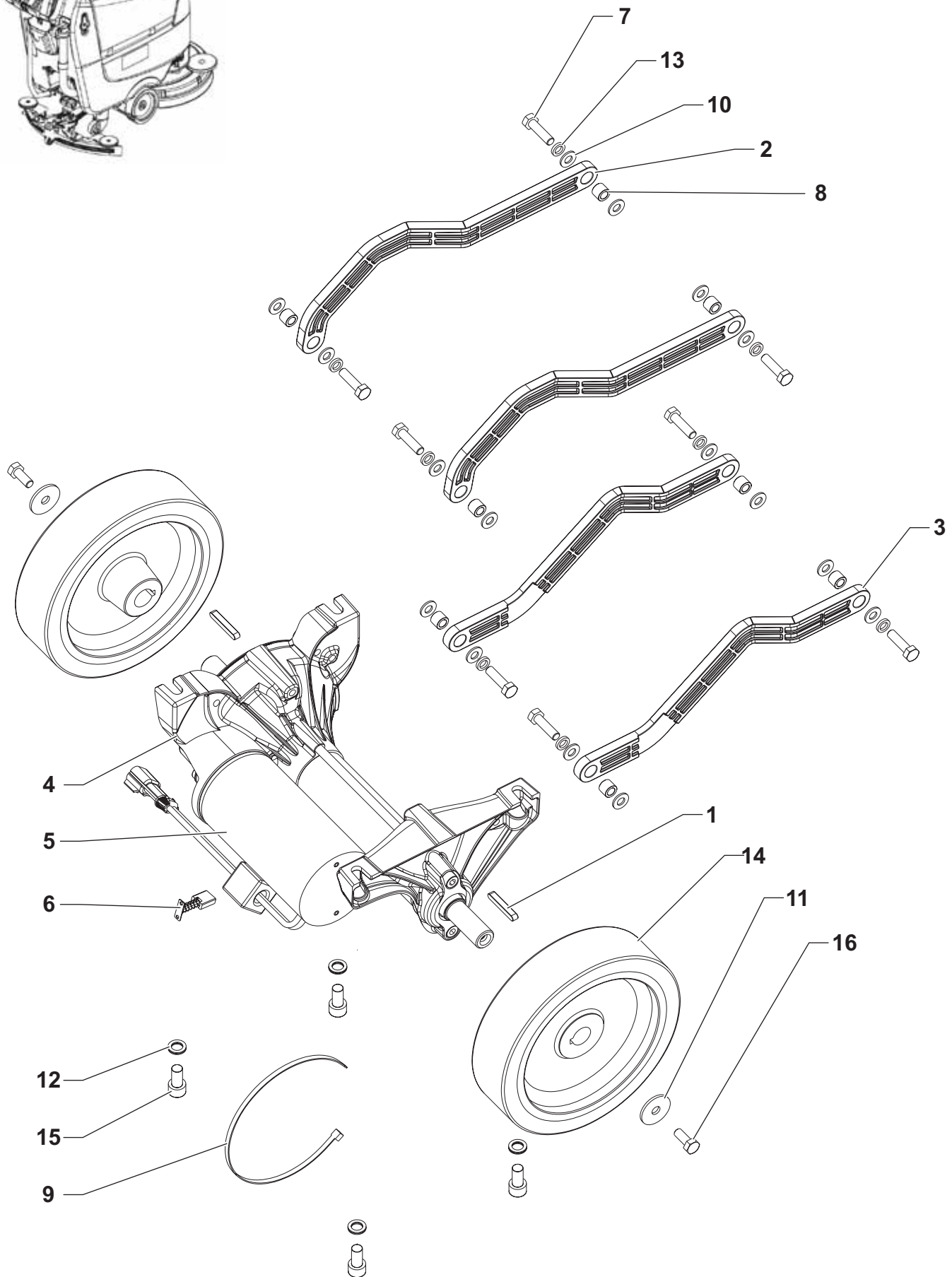




## RECOVERY TANK

KIT	ITEM	REF. NO.	QTY	DESCRIPTION
K4	1	145 0543 000	1	CLAMP 14/32-52
K4	2		9	SCREW M5X12 UNI7687
K1	3		2	SCREW M6X16 UNI7687 SS
K1	4	9100000928	1	GASKET FLOAT SUPPORT PKD
K4	5		2	NUT JAW M6X6 INOX SS
K1	6		1	CAGE FLOAT
K2	7		1	TRAY DEBRIS
K2	8		1	COVER DEBRIS TRAY
	9	9100000812	1	HOSE DRAIN BLACK PKD
	10	9100000889	1	CLIP HOSE STOPPING 2 PCS SET
	11	9100000813	1	TANK RECOVERY 40 LT GREY PKD
	12	9100000814	1	COVER TANK GREY PKD
	13	9100000815	1	COVER F VACUUM MOTOR SOUNDPR. PKD
	14	9100000816	1	HOSE SUCTION BLACK PKD
	15	9100000904	1	MOTOR VACUUM 24V 280W CPL KIT
	<b>15*</b>	<b>9100000491</b>	<b>1</b>	<b>HIGH POWER VACUUM MOTOR 24V 450W KIT</b>
		9100000753	1	INSTRUCTIONS INSTALL. KIT 9100000491
	16	9100000817	1	BALL FLOATING PKD
	17	9100000818	1	CAGE FLOAT HALF 2 PCS SET
	18	9100000819	1	GASKET BULB RUBBER L.1670MM PKD
K1	19		2	WASHER 6X18X1.5 UNI6593 SS
K4	20		1	CLAMP CABLE BLACK
	21	9100000820	1	HARNESS VACUUM MOTOR PKD
K4	22		4	SCREW CYL HD 5X20 SELF L. PLASTOFAST
	23	9100000821	1	SUPPORT EXT. INSULATION VAC. MOTOR PKD
K4	24		1	TIE CABLE 4.8x200 BLACK
K3	25		1	O-RING 2.5X109 EPDM
	26	9100000822	1	SUPPORT INT. INSULATION VAC. MOTOR PKD
K3	27		1	GASKET COLLECTOR
K3	28		1	RUBBER SEALING DOMEL UPPER
	29	9100000823	1	MOTOR VACUUM 24V 280W PKD
	30	9100000824	1	SUPP. UPPER F VAC. MOTOR SOUNDPR. PKD
K3	31		1	MOTOR GASKET LOWER DOMEL
K3	32		1	GASKET VACUUM MOTOR
	<b>33*</b>	<b>909 5065 000</b>	<b>1</b>	<b>FILTER ANTIFOAMING</b>
	K1	9099767000	1	SUPPORT FLOAT KIT
	<b>K2*</b>	<b>9100000795</b>	<b>1</b>	<b>TRAY DEBRIS KIT</b>
	K3	9100000739	1	GASKETS VACUUM MOTOR KIT
	K4	9100000740	1	HARDWARE RECOVERY TANK KIT

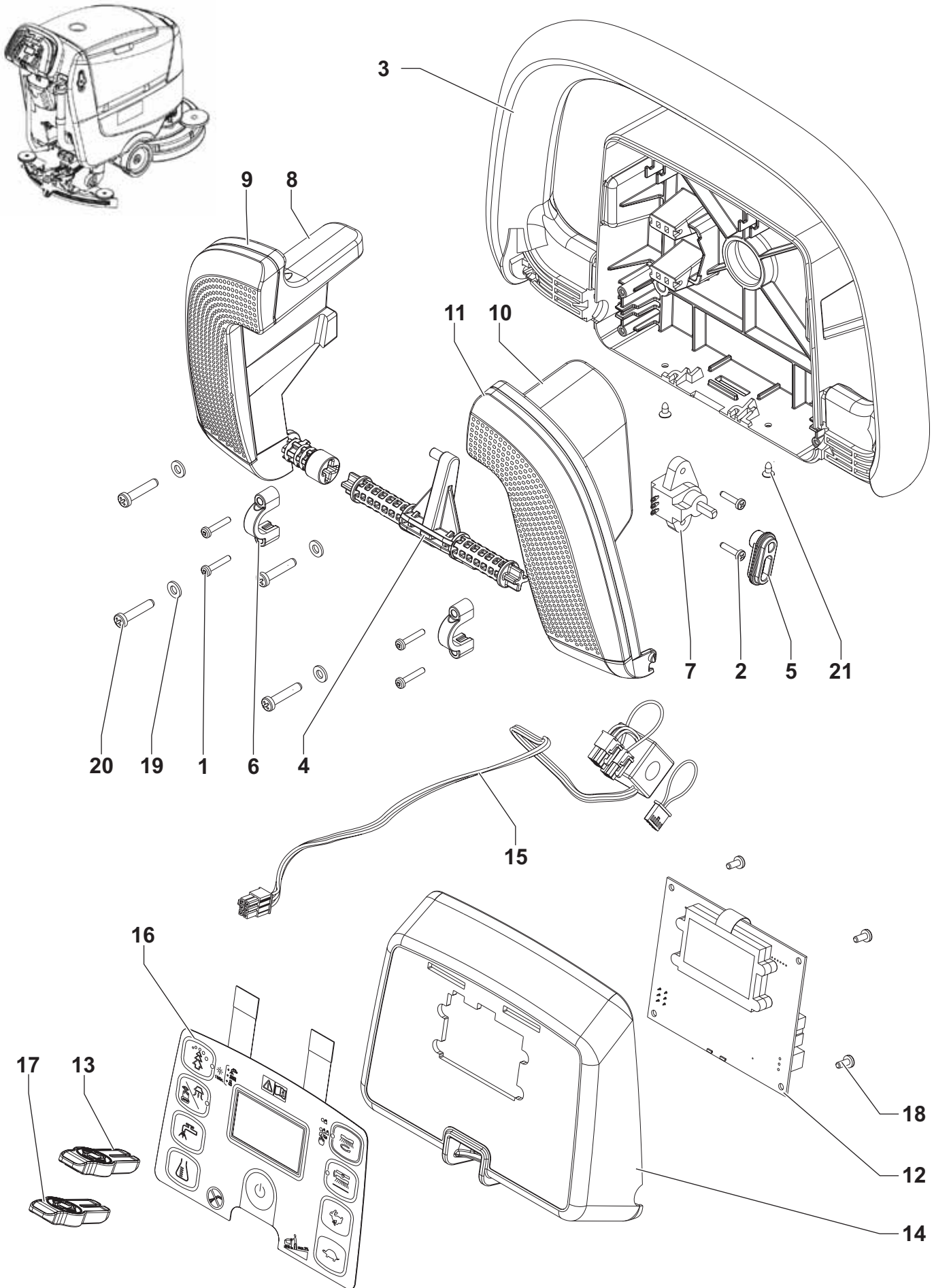
MOTOR DRIVE



**MOTOR DRIVE**

KIT	ITEM	REF. NO.	QTY	DESCRIPTION
K1	1	146 0769 000	2	KEY 6X6X40 UNI6604A
	2	9100000825	1	LEVER EXT. FOR DECK LIFTING 2 PCS SET
	3A	9100000826	1	LEVER INT. FOR DECK LIFTING 2 PCS SET
	4	9100000743	1	MOTOR DRIVE 200W 24V PKD
	5	9100000921	1	MOTOR ELECTRIC 200W 24V
	6	9100000922	1	CARBON BRUSHES KIT 2 PCS
K1	7		8	SCREW M8X30 UNI5739
K1	8		8	SPACER 8.1X13X10.3
K1	9		1	TIE CABLE 4.8X430 WHITE
K1	10		6	WASHER M8 UNI6592
K1	11		2	WASHER 8.5X32X2 SS
K1	12		4	WASHER NORD LOCK M10
K1	13		8	WASHER NORD LOCK M8
	14	9100000830	2	WHEEL D.200X50 GREY-BLACK 2 PCS SET
K1	15		4	SCREW M10X20 UNI5931
K1	16		2	SCREW M8X20 UNI5739 SS
	[K1]	9100000744	1	HARDWARE DRIVE MOTOR KIT
	A:	LEVER ONLY FOR DISC VERSION		

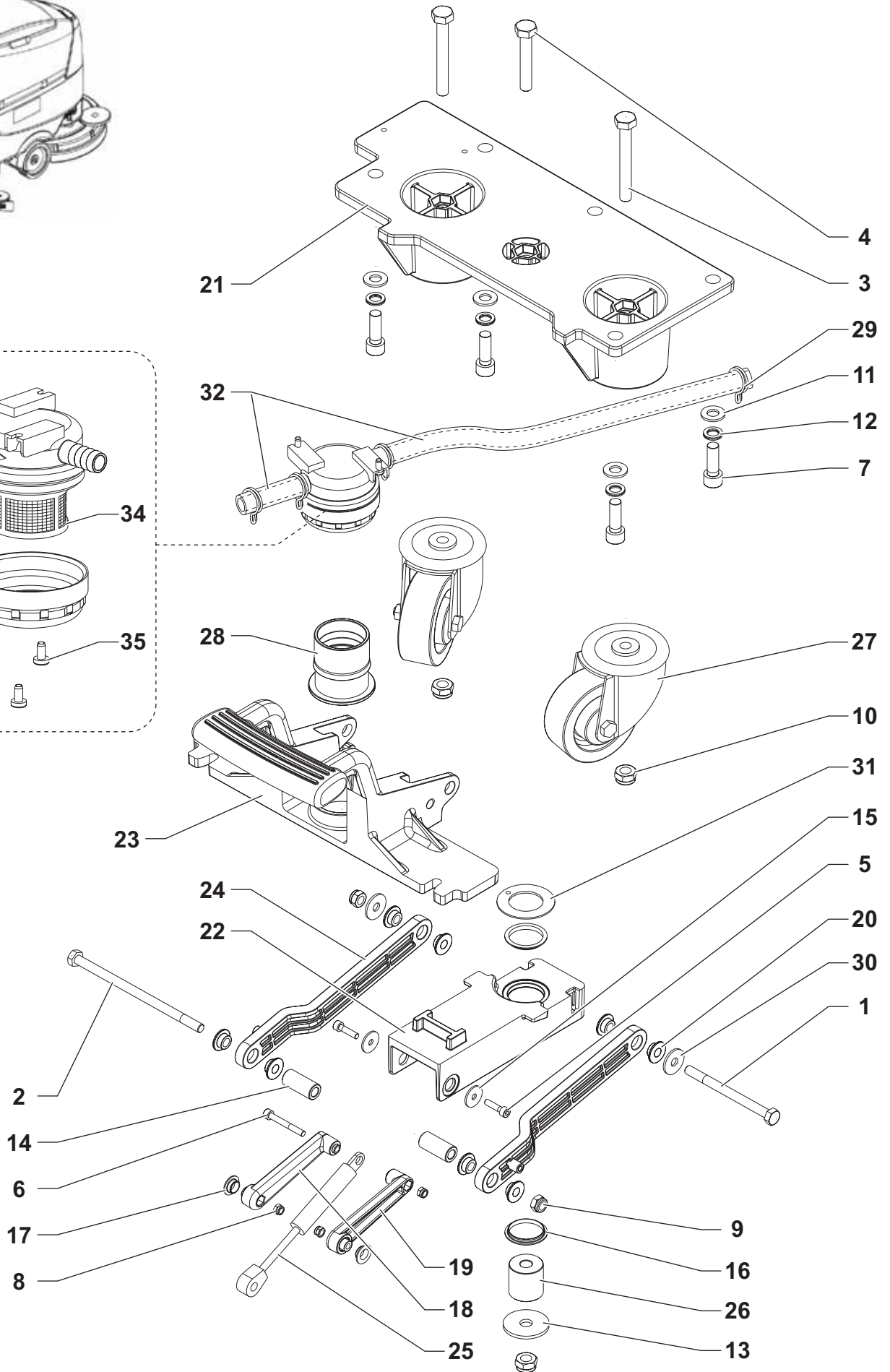
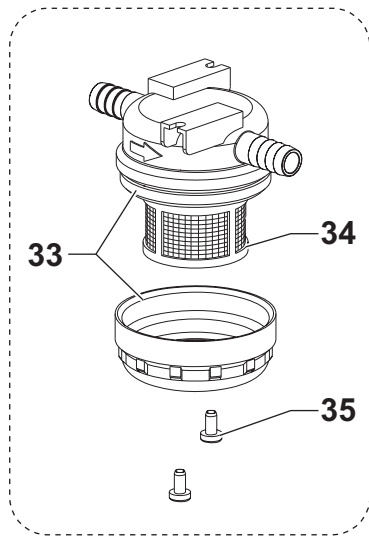
PADDLE AND DASHBOARD



## PADDLE AND DASHBOARD

KIT	ITEM	REF. NO.	QTY	DESCRIPTION
K1	1		4	SCREW TORX T20
K1	2		2	SCREW 4.2X19 SELF THD HEX HD ISO10510
	3	9100000835	1	HANDLE BAR PKD
	4	9100000836	1	SHAFT LEVERS CONNECTION PKD
K1	5		1	ROD POTENTIOMETER
K1	6		2	SUPPORT F LEVER CONNECTION SHAFT
	7	9100000837	1	POTENTIOMETER 5K PKD
	8	9100000838	1	LEVER LT DRIVING PKD
	9	9100000839	1	CASING F LEFT LEVER PKD
	10	9100000840	1	LEVER RT DRIVING PKD
	11	9100000841	1	CASING F RIGHT LEVER PKD
	12	9100000842	1	CARD DISPLAY PKD
	13	9100000843	1	KEY OPERATOR COMPLETE PKD
	14	9100000844	1	COVER HANDLE BAR PKD
	15	9100000845	1	HARNESS CONTROL PANEL PKD
	16A	9100000846	1	DASHBOARD CONTROL PANEL PKD
	16B	9100000847	1	DASHBOARD CONTROL PANEL PKD
	17	9100000848	1	KEY SERVICE COMPLETE PKD
K1	18		4	SCREW 3.9X9.5 THD FORM
K1	19		4	WASHER M6 UNI6592
K1	20		4	SCREW CYL HD 6X30 SELF L.PLAST
K1	21		2	SCREW 3.9X9.5 UNI6955
	[K1]	9100000745	1	PADDLE AND DASHBOARD FIXING KIT
	A:	FOR DISC DECK VERSION		
	B:	FOR REV DECK VERSION		

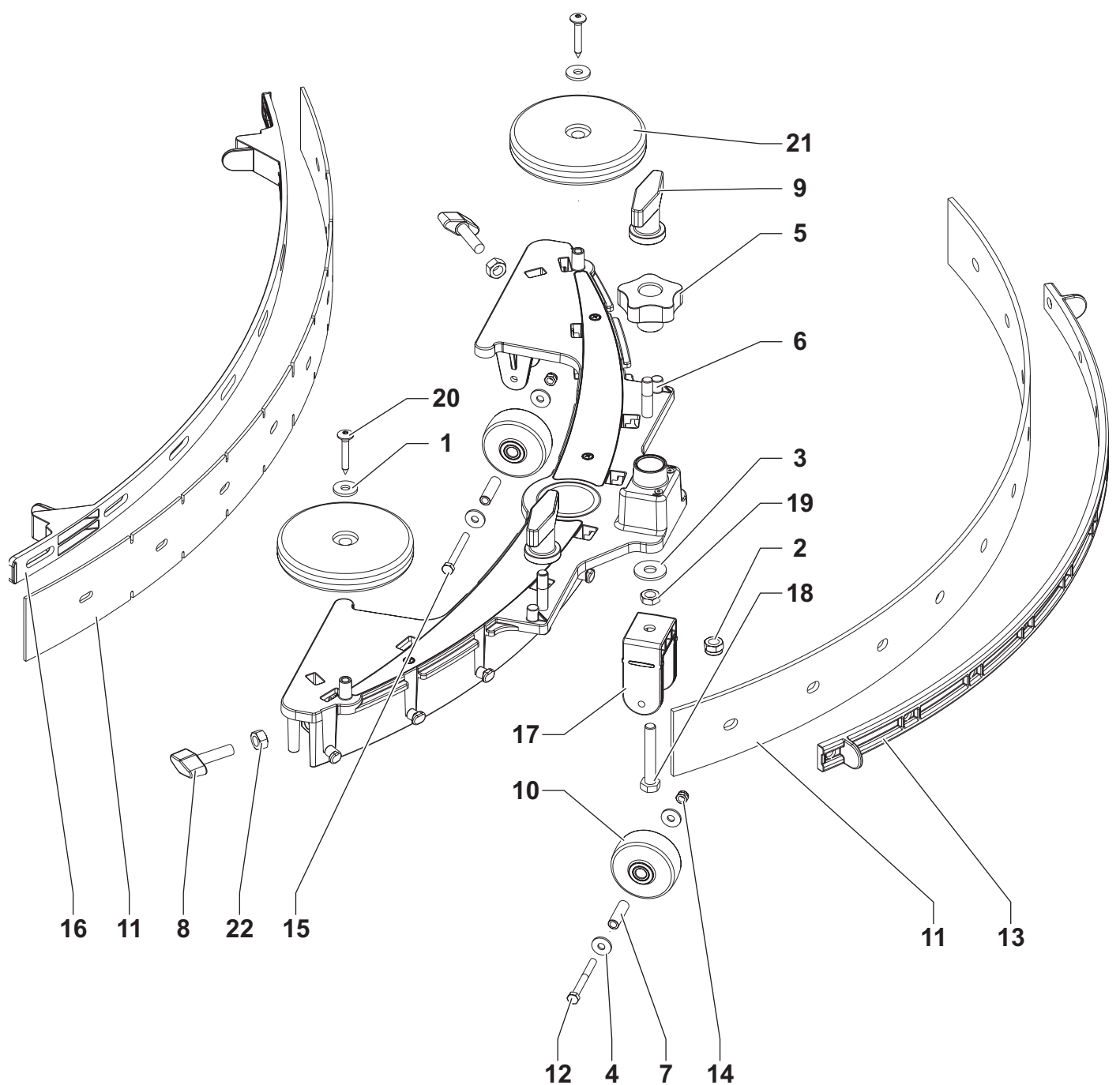
REAR WHEELS



## REAR WHEELS

KIT	ITEM	REF. NO.	QTY	DESCRIPTION
K1	1		1	SCREW M8X100 UNI5737
K1	2		1	SCREW M8X140 HEX HD ISO4014
K1	3		2	SCREW M10X80 UNI5739
K1	4		1	SCREW M10X60 UNI5739
K1	5		2	SCREW M5X20 UNI5931
K1	6		1	SCREW M5X40 UNI5931
K1	7		4	SCREW M10X30 UNI5931
K1	8		3	NUT SELF L. M5 UNI7474
K1	9		2	NUT SELF L. M8 UNI7474
K1	10		3	NUT SELF L. M10 UNI7474
K1	11		4	WASHER M10 UNI6592
K1	12		4	WASHER NORD LOCK M10
K1	13		1	WASHER 10X40X2.5 UNI6593
K1	14		2	SPACER 8.5X15X33
K1	15		2	WASHER 5X20X1.5 UNI6593
K1	16	9100000902	2	BEARING FLANGE IGLIDUR 2 PCS SET
K1	17		2	BEARING FLANGED
	18	9100000849	1	LEVER GAS SPRING LEFT PKD
	19	9100000850	1	LEVER GAS SPRING RIGHT PKD
K1	20		8	BUSHING FLANGED
	21	9100000851	1	SUPPORT REAR WHEELS-SQUEEGEE PKD
	22	9100000852	1	SUPPORT UPPER F SQUEEGEE PKD
	23	9100000853	1	SUPPORT LOWER F SQUEEGEE PKD
	24	9100000854	1	LEVER SQUEEGEE LIFT 2 PCS SET
	25	9100000855	1	SPRING GAS 30 KG PKD
K1	26		1	SPACER 10.5X30X30.3
	27	9100000856	1	WHEEL PIVOTING 2 PCS SET
	28	9100000857	1	SLEEVE SUCTION HOSE PKD
K1	29		4	CLAMP DOUBLE WIRE SPRING D.18
K1	30		2	WASHER 8X24X2 FLAT ISO7093
K1	31	9100000903	1	WASHER THRUST GTM 3254-015 PKD
	32	9100000796	1	HOSES SOLUTION SYSTEM KIT
	33	9100000860	1	FILTER WATER PKD
	34	9100000861	1	NET WATER FILTER REINFORCED PKD
K1	35		2	SCREW M5X10 DIN7500
	[K1]	9100000746	1	SUPPORT SQUEEGEE FIXING KIT

SQUEEGEE SYSTEM

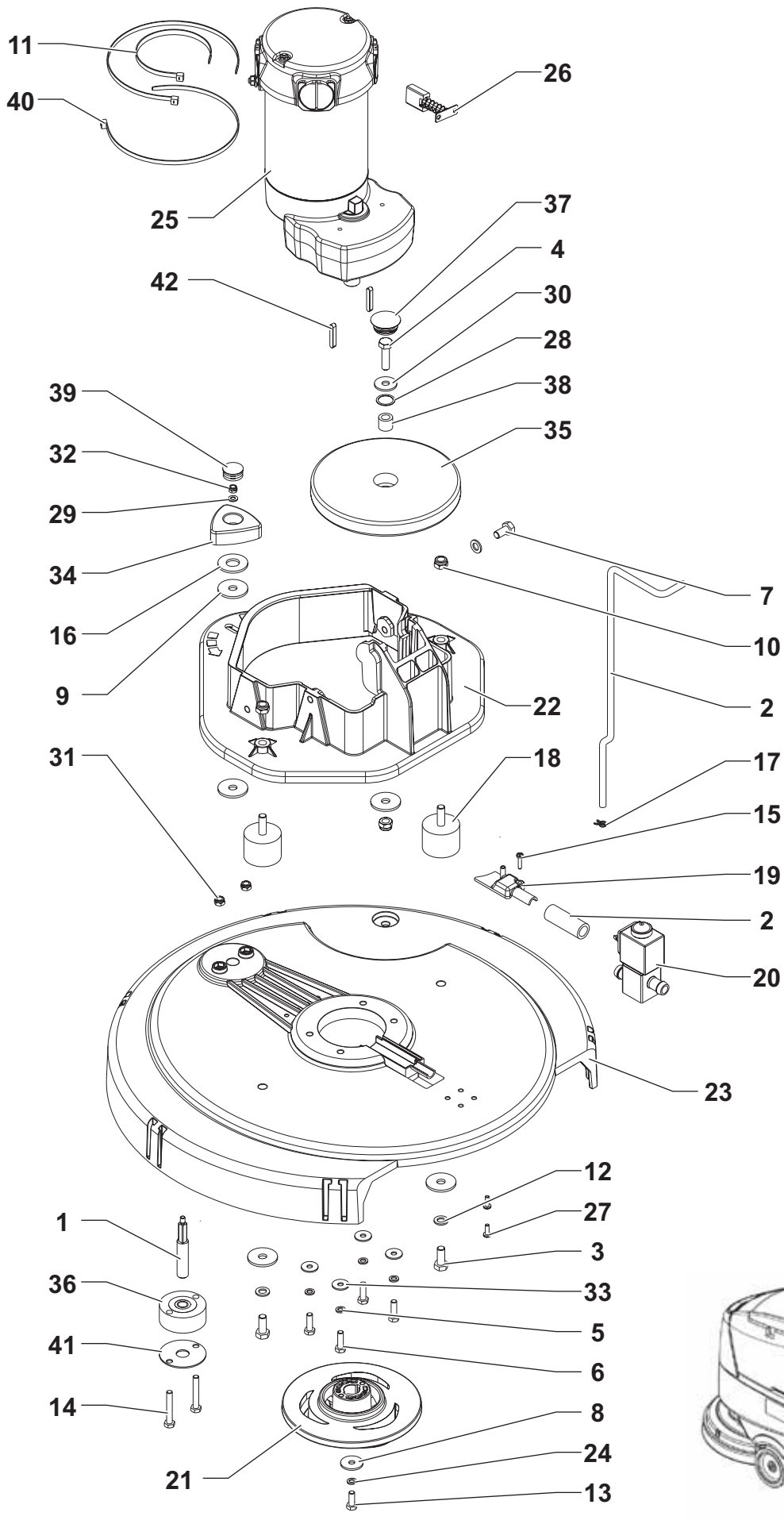




**SQUEEGEE SYSTEM**

KIT	ITEM	REF. NO.	QTY	DESCRIPTION
K1	1		2	WASHER 6X18X1.5 UNI6593 SS
K1	2		1	NUT SELFLOCKING LOW M8 UNI7474 SS
K1	3		1	WASHER 8X24 UNI6592 SS
K1	4		6	WASHER 5X15X1.2 UNI6593 SS
	5	9100000862	1	KNOB LOBES M8 FEMALE PKD
	6	9100000747	1	SQUEEGEE 730MM/29 PRE-ASSEMBLED PKD
K1	7		3	SPACER 5.1X8X28.5 PLASTIC
	8	9100000791	2	KNOB M8X30 THD STUD SS PKD
	9	9097637000	1	SQUEEGEE FIXING KIT
	10	9100000559	3	WHEEL D.51 GREY PKD
	11*	9100000810	1	<b>BLADE SQUEEGEE 740MM 29 GUM KIT</b>
	11*	9100000490	1	<b>BLADE SQUEEGEE 730MM 29 PU KIT</b>
	11*	9100000060	1	<b>BLADE SQUEEGEE 730MM 29 RED GUM KIT</b>
K1	12		1	SCREW M5X50 UNI5737 SS
	13	9100000864	1	STRAP ELASTIC F REAR SQUEEGEE BL. PKD
K1	14		3	NUT SELFLOCKING LOW M5 UNI7474 SS
K1	15		2	SCREW M5X45 UNI5737 SS
	16	9100000865	1	STRAP FRONT SQUEEGEE BLADE PKD
	17	9100000866	1	SUPPORT SQUEEGEE WHEEL PKD
K1	18		1	SCREW M8X50 HEX HD F/THD SS ISO4017
K1	19		1	NUT HEX M8 ISO4035 SS
K1	20		2	SCREW 5X35 SELF THD TAPPING AW20 BLACK
	21	9100000867	1	GUIDE WHEEL 2 PCS SET
K1	22		2	NUT HEX M8 UNI5588 SS
	[K1]	9100000748	1	HARDWARE SQUEEGEE KIT

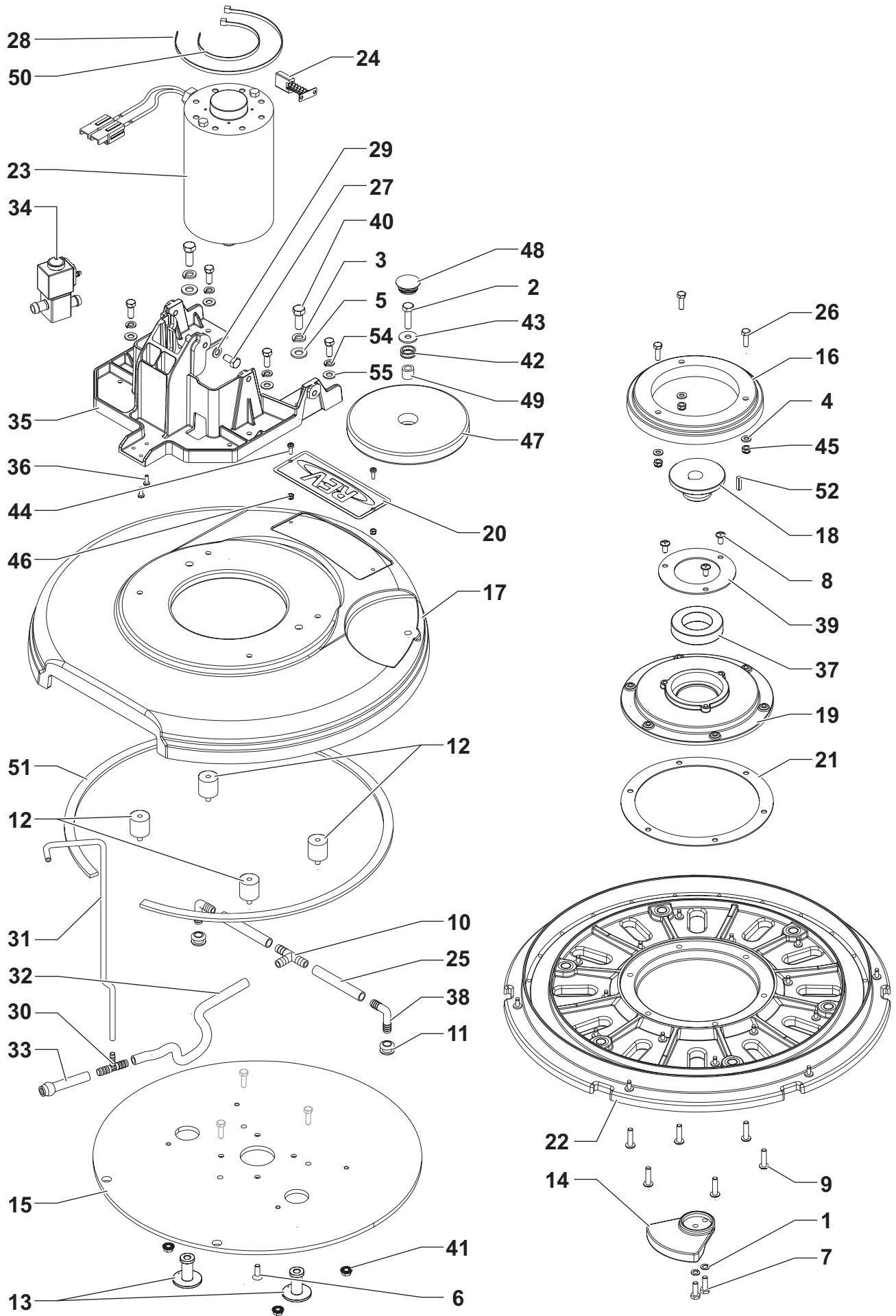
DISC DECK



## DISC DECK

KIT	ITEM	REF. NO.	QTY	DESCRIPTION
K2	1		1	PIN PLATE FIXING
	2	9100000797	1	HOSES BRUSH DECK KIT
K3	3		2	SCREW M8X20 UNI5739 SS
K1	4		1	SCREW M8X30 UNI5739
K3	5		5	WASHER M6 UNI8842A SS
K3	6		4	SCREW M6X25 UNI5739 SS
K3	7		3	NUT SELFLOCKING LOW M8 UNI7474 SS
K3	8		1	WASHER 6.6X24X2 UNI6593 SS
K2	9		5	WASHER 8.5X32X2 SS
K3	10		1	SCREW M8X16 UNI5739 SS
K3	11		1	TIE CABLE 4.8x200 BLACK
K3	12		3	WASHER M8 UNI8842A SS
K3	13		1	SCREW M6X16 UNI5739 SS
K2	14		2	SCREW M6X40 UNI5739 SS
K3	15		2	SCREW 3.5X16 SELF THD PAN PHIL F PLASTIC
K2	16		1	WASHER 10X30X2
K3	17		1	CLAMP 6.6X 7
	18	9100000868	1	VIBRATION DAMPING M8 60SH 2 PCS SET
	19	9100000869	1	COVER SOLUTION HOSE SUPPORT PKD
	20	9100000870	1	SOLENOID VALVE 24V PKD
	21	9100000871	1	HUB BRUSH PKD
	22	9100000872	1	PLATE BRUSH DECK HOLDER PKD
	23	9100000873	1	DECK BRUSH PKD
K3	24		1	WASHER NORD LOCK M6 DIN25201
	25	9100000874	1	REDUCTION GEARMOTOR 450W 24V PKD
	26	9098376000	1	CARBON BRUSHES KIT 4 PCS
K3	27		2	SCREW PAN HD SELF 4x12 SS
K1	28		1	WASHER 15
K2	29		1	WASHER M5 UNI6592 SS
K1	30		1	WASHER 8X24X2 FLAT ISO7093
K2	31		2	NUT SELF L. M6 UNI7474 SS
K2	32		1	NUT SELFLOCKING LOW M5 UNI7474 SS
K3	33		4	WASHER 6X18X1.5 UNI6593 SS
K2	34		1	KNOB
K1	35		1	ROLLER BUMPER D.160 BLACK
K2	36		1	BUFFER
K1	37		1	CAP. BLACK
K1	38		1	SPACER 9X15X13
K2	39		1	CAP FOR KNOB
K3	40		2	TIE CABLE 4.8X430 WHITE
K2	41		1	PLATE.VIBRATION DAMPING
	42	9100000875	1	KEY 5X5X30 DIN6885 2 PCS SET
	[K1]	909 6887 000	1	ROLLER BUMPER KIT
	[K2]	9100000750	1	DECK BRUSH ADJUST. KIT
	[K3]	9100000751	1	HARDWARE BRUSH DECK KIT

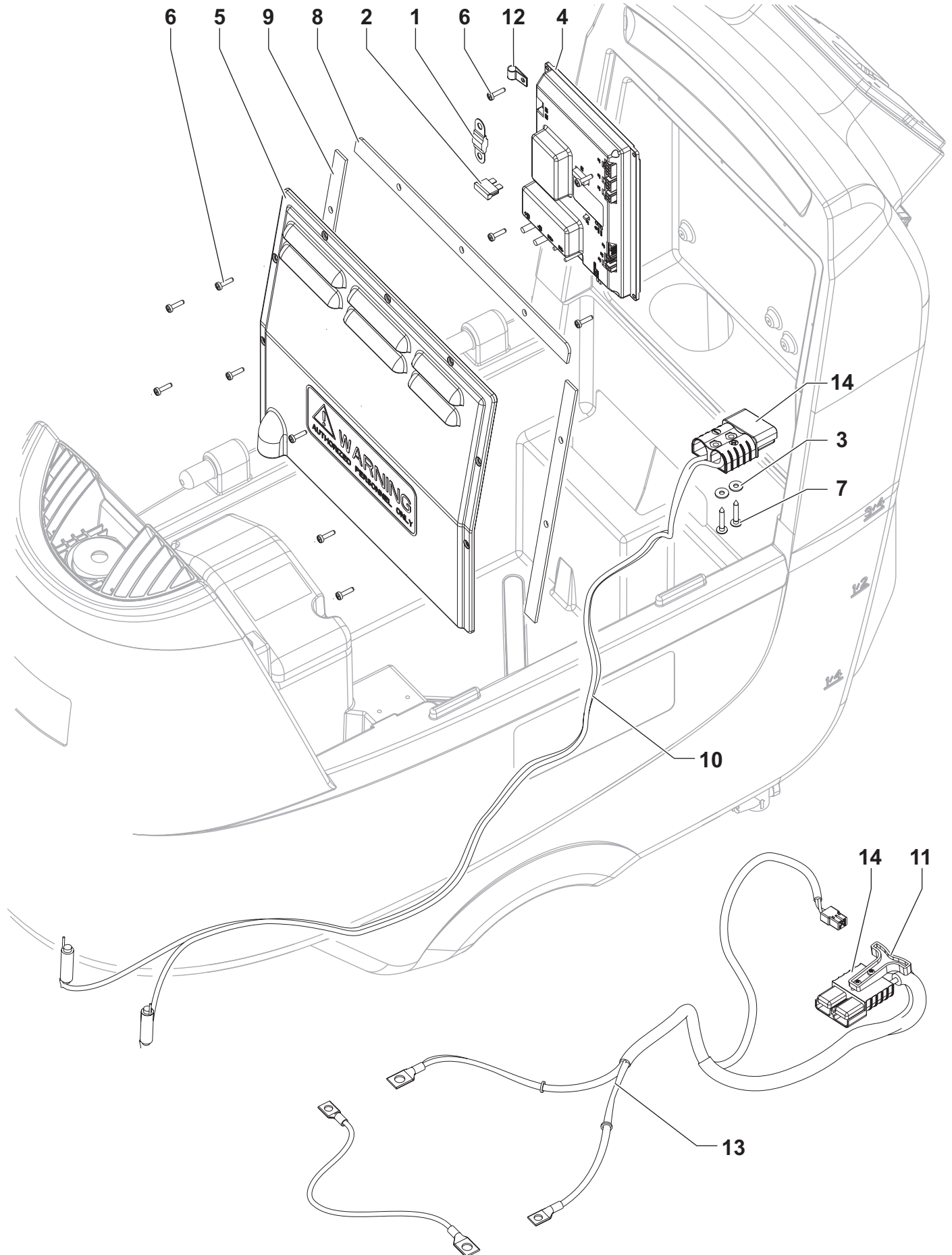
REV DECK



## REV DECK

KIT	ITEM	REF. NO.	QTY	DESCRIPTION
K2	1		2	WASHER LK 1/4 REGSS
K1	2		1	SCREW M8X40 UNI5739
K2	3		2	WASHER M10 UNI1751B
K3	4		3	WASHER M6 UNI6592 SS
K2	5		2	WASHER M10 UNI6592
K2	6		4	SCR FLT PHIL LOC 1/4-20 X 0.75
K2	7		6	SCR HEX LOC 1/4 20 X 0.75
K5	8		3	SCR PAN PHIL LOC SS 1/4 20X.50
K2	9		6	SCREW PAN PHIL LOC SS 1/4-20 X 1.00
K6	10		1	TEE HOSE 3/8X3/8X3/8 PLSTC
K6	11		2	GROMMET .500 E00059
	12	56382991	1	KIT-ISOLATOR BOOST HD
	13	9098979000	1	STUD STABILIZER KIT
	14	56390002	1	WEIGHT COUNTER
	15	9100000900	1	PLATE F DECK MOTOR PKD
K3	16		1	SHIELD SPLASH
	17	56390012	1	HOUSING BRUSH
K4	18		1	ECCENTRIC
K5	19		1	DRIVER MOTOR
	20	56390037	1	DECAL-REV EMBOSSED
K5	21		1	GASKET DRIVER
	22	56390044	1	PAD DRIVER ASSY
	23	56390072	1	MOTOR 24VDC
	24	56412287	1	MOTOR BRUSH/SPRING KIT
K6	25		2	HOSE CLEAR
K3	26		3	SCREW M6X20 UNI5739 SS
K2	27		1	SCREW M8X16 UNI5739 SS
K2	28		1	TIE CABLE 4.8x200 BLACK
K2	29		1	WASHER M8 UNI8842A SS
K6	30		1	HOLDER RUBBER T
K6	31		1	HOSE SILICONE D.4X7
K6	32		1	HOSE SILICONE RUBBER
K6	33		1	HOSE SILICONE RUBBER
	34	9100000870	1	SOLENOID VALVE 24V PKD
	35	9100000876	1	PLATE BRUSH DECK HOLDER PKD
K2	36		2	SCREW PAN HD SELF 4x12 SS
K5	37		1	BEARINGBALL OBS-18 6008
K6	38		2	HOSEBARB 3/8 X 90 DEG
K5	39		1	RETAINER BEARING
K2	40		2	SCREW 3/8-24 X 1 HEX HEAD
K2	41		4	NUTHEX SERRATED FLANGE1/4-20
K1	42		2	WASHER 15
K1	43		1	WASHER 8X24X2 FLAT ISO7093
K2	44		2	SCREW M4X12 UNI7687
K3	45		3	NUT SELF L. M6 UNI7474 SS
K2	46		2	NUT SELF L. M4 UNI7474 SS
K1	47		1	ROLLER BUMPER D.160 BLACK
K1	48		1	CAP. BLACK
K1	49		1	SPACER 9X15X13
K2	50		1	TIE CABLE 4.8X430 WHITE
	51	9100000901	1	GASKET ADHESIVE 12X5 L.1090MM PKD
K4	52		1	KEY 3/16 X 3/16 X 3/4 LG
	[K1]	9100000749	1	ROLLER BUMPER D.160 BLACK KIT
	[K2]	9100000756	1	HARDWARE BRUSH DECK KIT
	[K3]	9098982000	1	SPLASH GUARD KIT
	[K4]	9098984000	1	KIT-ECCENTRIC
	[K5]	9098983000	1	DRIVER KIT
	[K6]	9100000757	1	HOSES BRUSH DECK KIT

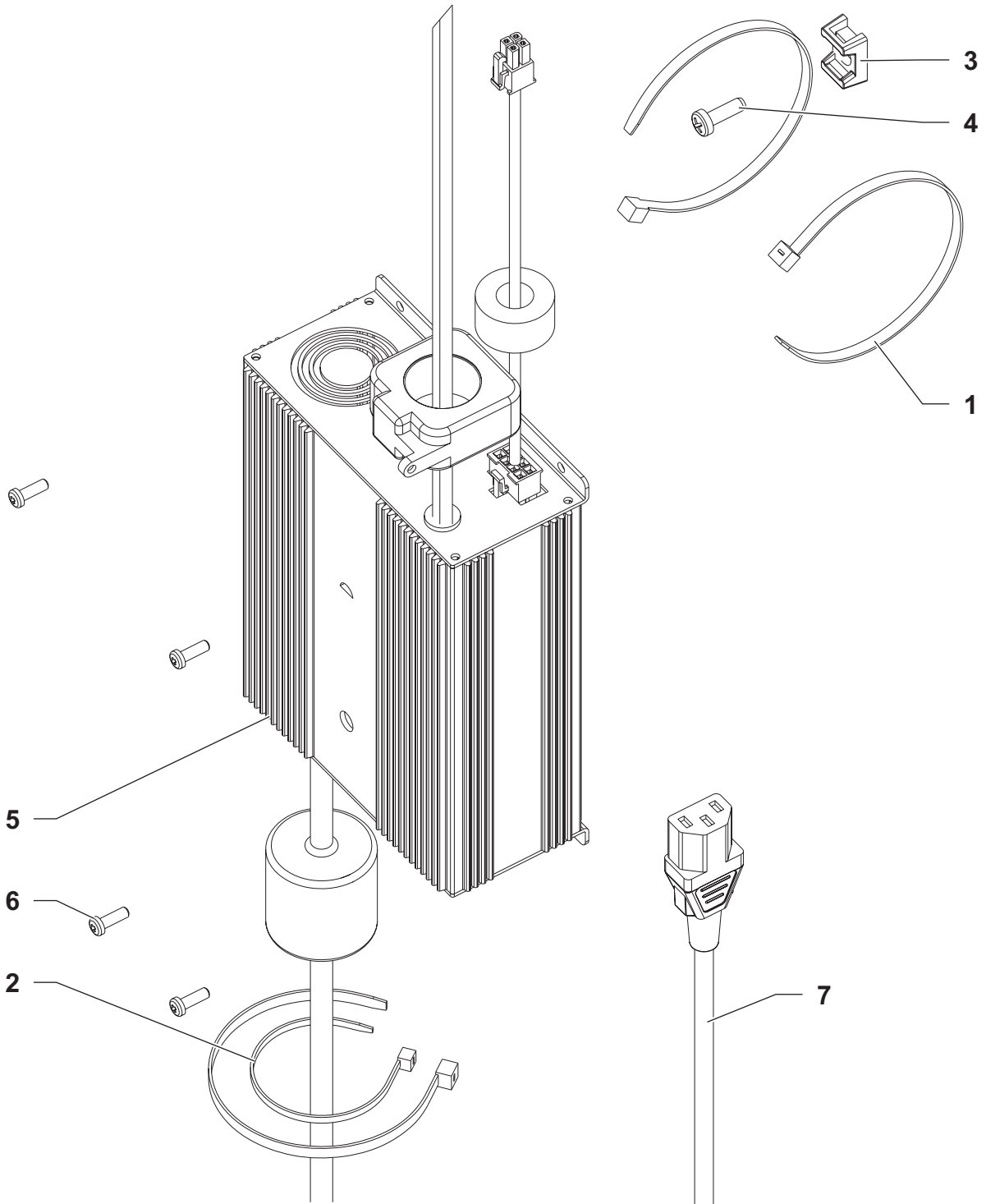
ELECTRICAL COMPONENTS



## ELECTRICAL COMPONENTS

KIT	ITEM	REF. NO.	QTY	DESCRIPTION
	1	9100000877	1	FUSE MIDIFUSE 100A PKD
	2	9100000878	1	FUSE BLADE 3A PKD
K2	3		4	WASHER 5X15X1.5 UNI6593
	4	9100000879	1	CONTROLLER MAIN MACHINE PKD
	5	9100000880	1	COVER BOX ELECTRIC COMP. PKD
K2	6		11	SCREW CYL HD 4X16 SELF L. PLAS
K2	7		3	SCREW 5X35 SELF THD TAPPING AW20 BLACK
K1	8		1	GASKET UPPER ELECTRONIC COVER
K1	9		2	GASKET SIDE ELECTRONIC COVER
	10	9100000881	1	HARNESS MACHINE SC500 53B/20B PKD
	11	9100000885	1	HANDLE FOR BATTERY CONNECTOR PKD
K2	12		1	CLAMP CABLE BLACK
	13	9100000887	1	HARNESS BATTERY US PKD
	14	9100000884	1	CONNECTOR RED 120A 2 PCS SET
	[K1]	9100000798	1	GASKETS COVER KIT
	[K2]	9100000799	1	HARDWARE ELECT. COMPONENTS KIT

# BATTERY CHARGER

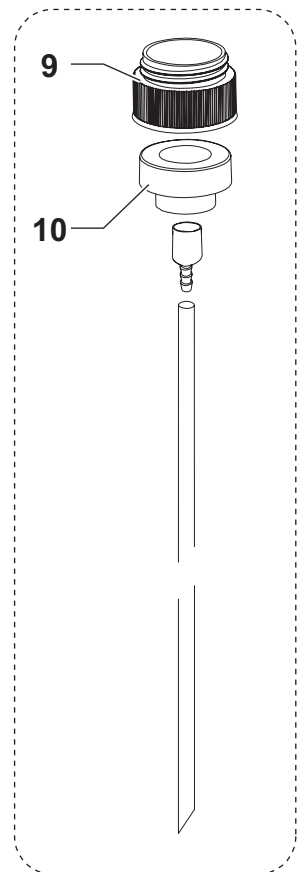
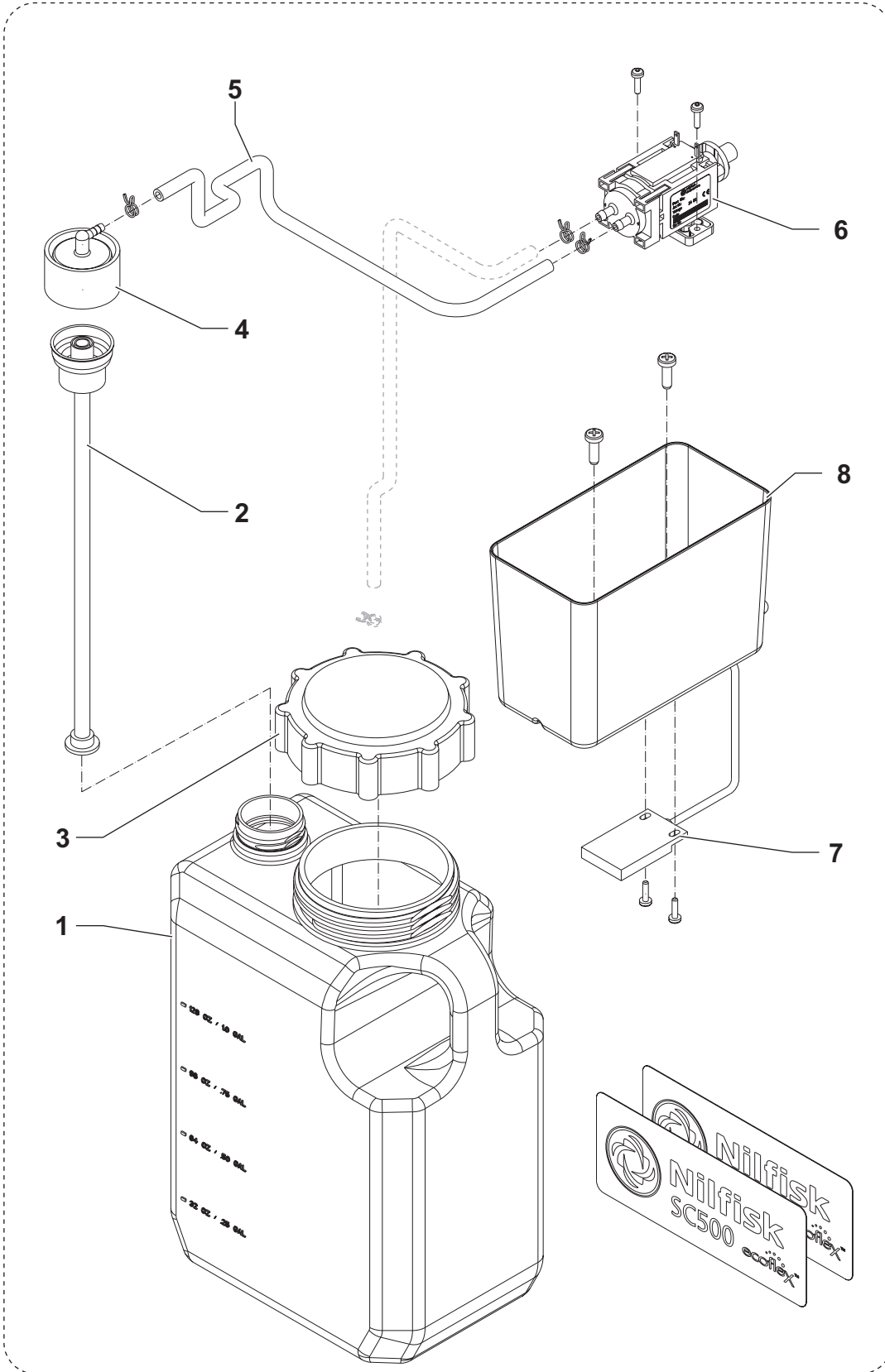




**BATTERY CHARGER**

KIT	ITEM	REF. NO.	QTY	DESCRIPTION
	1		3	TIE CABLE 4.8x200 BLACK
	2		1	TIE CABLE 2.9x130 BLACK
	3		1	HOLDER.FLAT TIE
	4		1	SCREW CYL HD 5X16 SELF L. PLASTOFAST
	5	9100000888	1	CHARGER BATT. O/B 24V 13A 100-230V PKD
	6		4	SCREW 3.5X12
	7	9100000890		CABLE EXTENSION US PLUG L.2000MM PKD

ECOFLEX SYSTEM

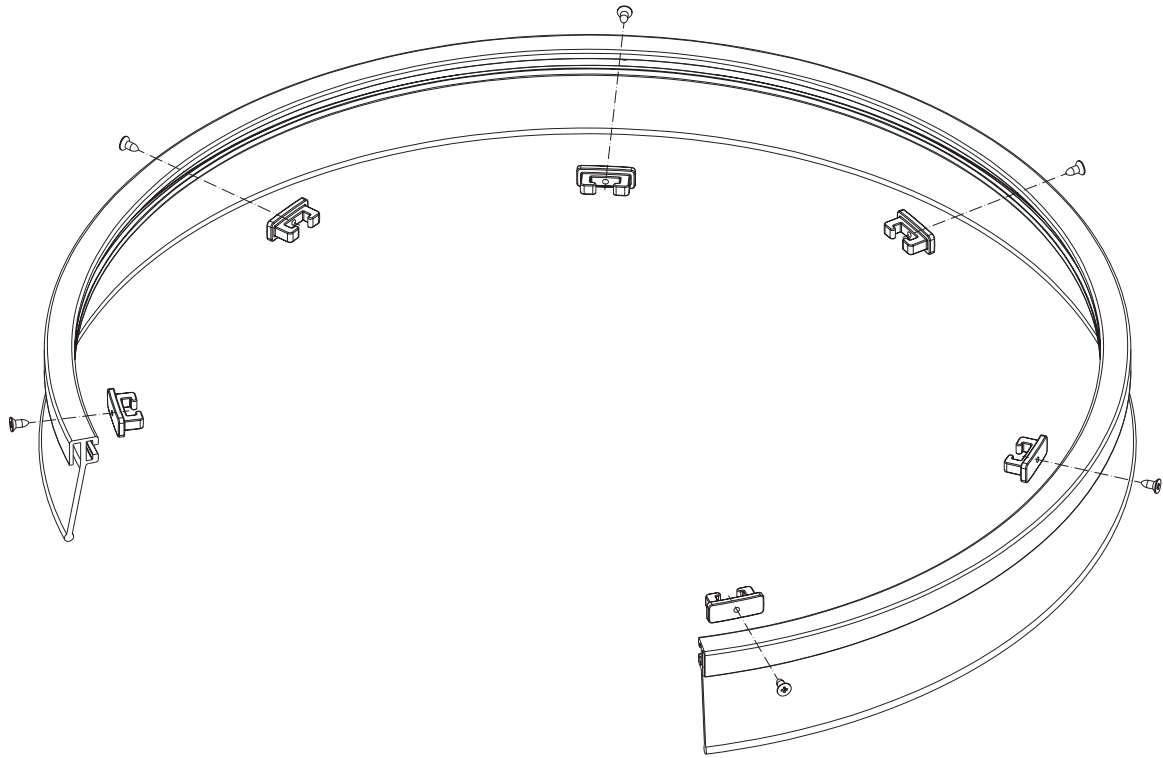


**ECOFLEX SYSTEM**

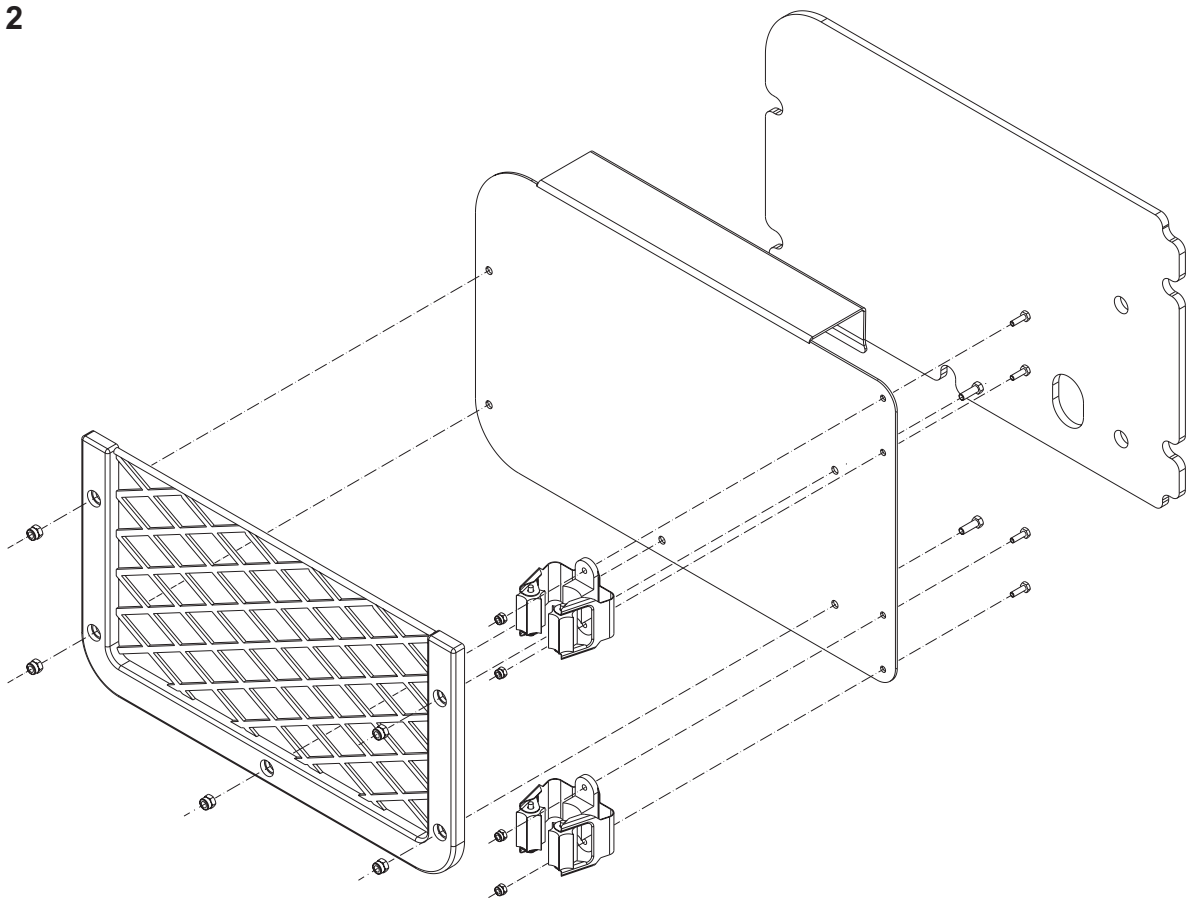
KIT	ITEM	REF. NO.	QTY	DESCRIPTION
	1		1	CHEMICAL TANK
	2		1	INSERT-DRY BRAKE
	3		1	CAP
	4		1	CAP DRY BREAK 1/8 BARB
	5	9100000891	1	HOSE SILICONE D.4X7 L.300MM PKD
	6	9100000892	1	PUMP CHEMICAL MIX PKD
	7	9100000893	1	SENSOR WATER LEVEL PKD
	8		1	SUPPORT WATER LEVEL SENSOR
		9100000923	1	INSTRUCTIONS INSTALL. KIT 9100000008
K2	9	9097023000	1	ADAPTER CHEMICAL TANK
K2	10	9097022000	1	SENSOR CHEMICAL MIX LEVEL
	<b>[K2]*</b>	<b>9098025000</b>	<b>1</b>	<b>ADAPTER CHEMICAL KIT</b>

ACCESSORIES

1



2

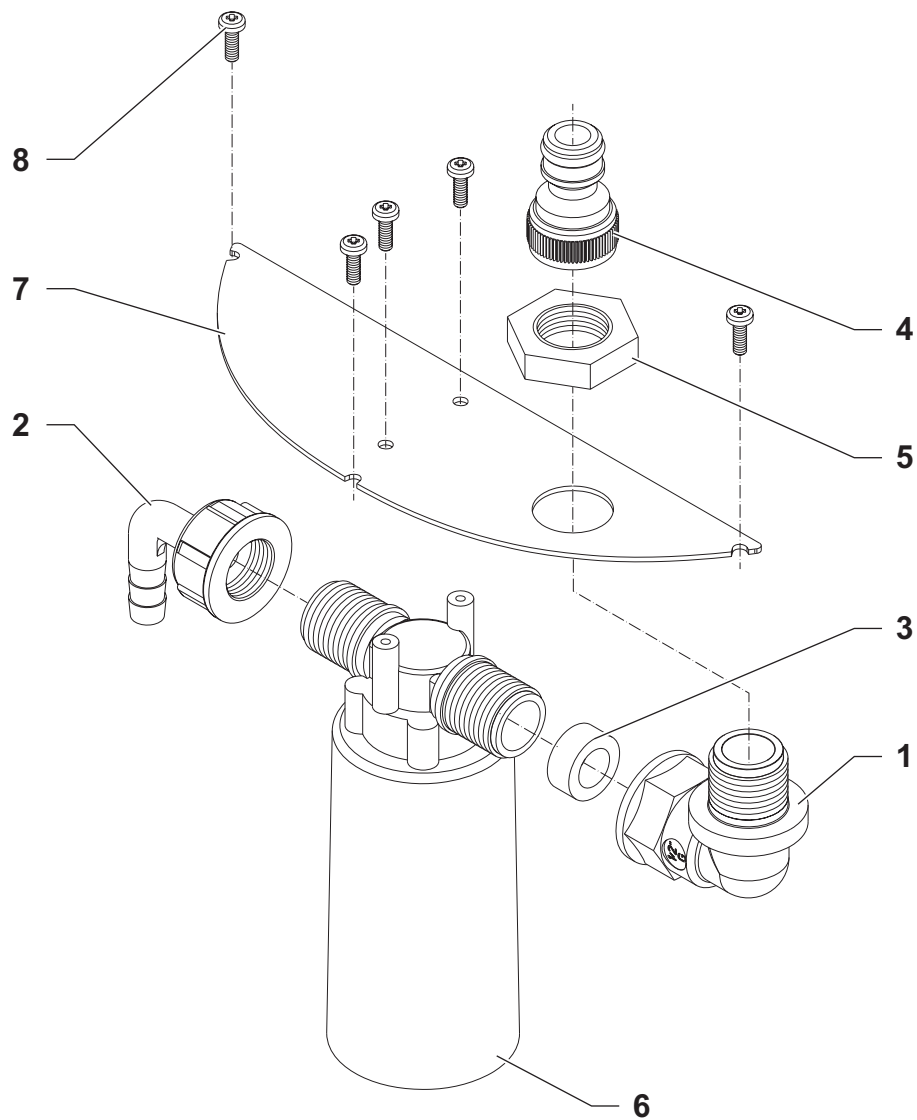


**ACCESSORIES**

KIT	ITEM	REF. NO.	QTY	DESCRIPTION
	1*	9099826000	1	SPLASH GUARD 510MM 20 KIT
	2*	9100000065	1	MOP AND TRASH KIT

## ACCESSORIES

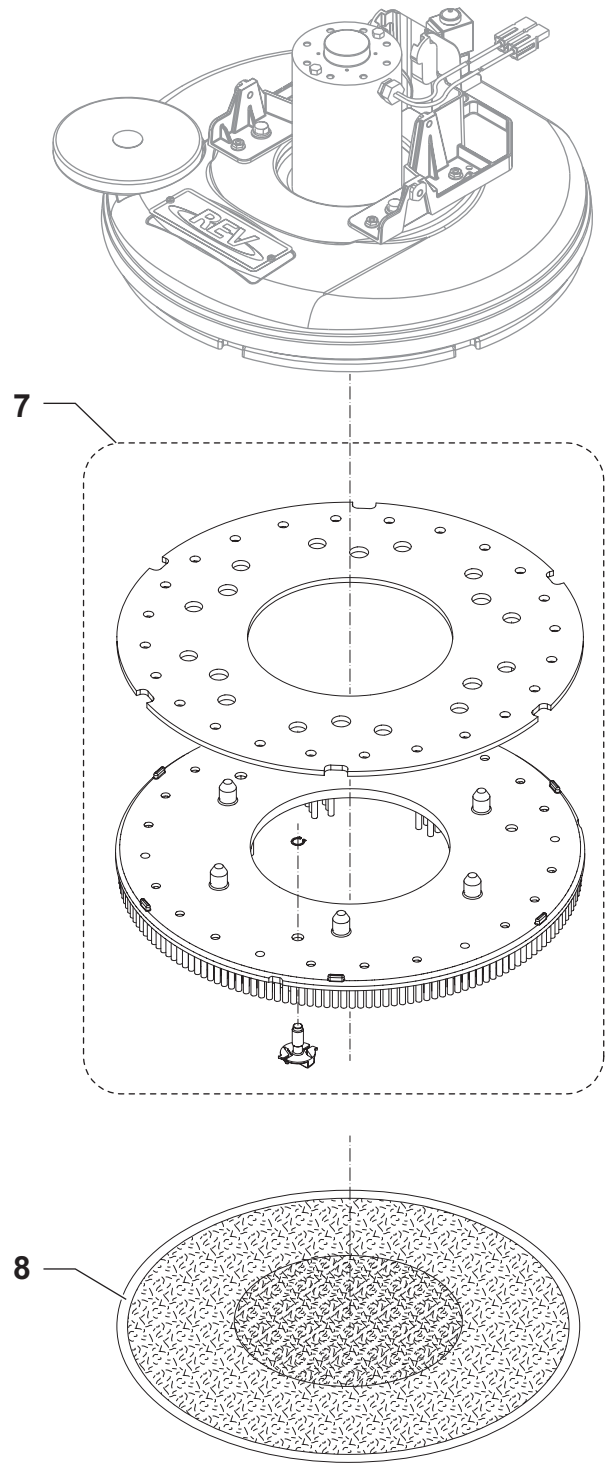
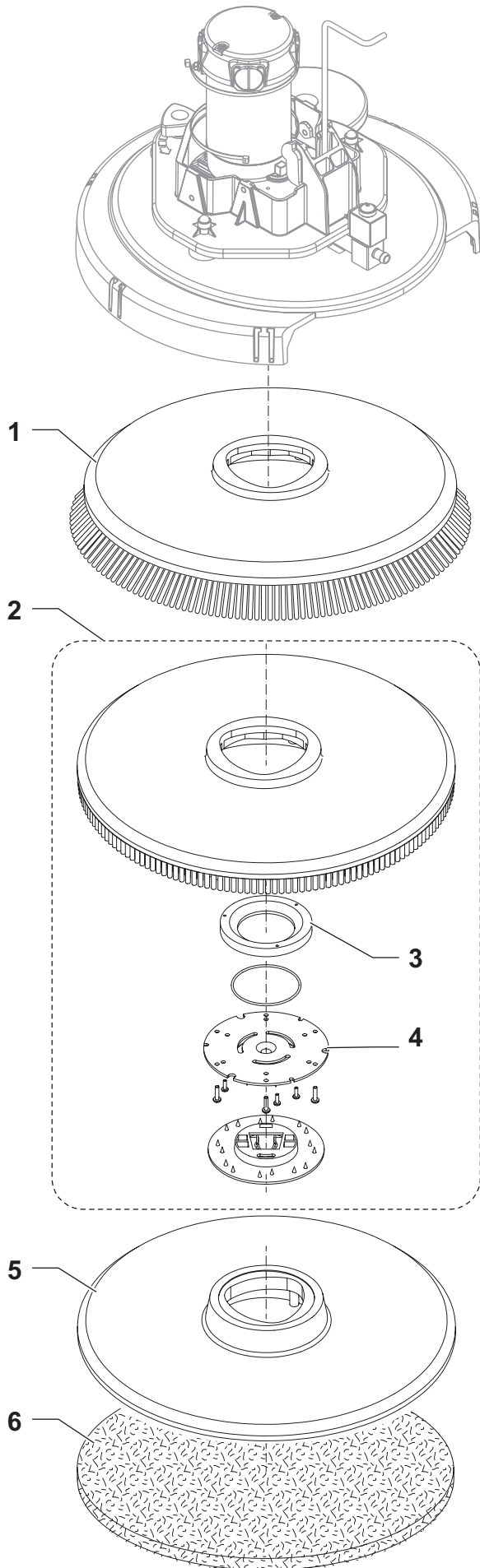
K1



**ACCESSORIES**

KIT	ITEM	REF. NO.	QTY	DESCRIPTION
K1	1	9100000894	1	ELBOW CURVED M/F PKD
K1	2	9098777000	1	HOLDER RUBBER 90 F HOSE D.10 PKD
K1	3	9100000622	1	GASKET RUBBER D.11.5X19 H8 BLACK PKD
K1	4		1	FITTING QUICK 1/2 GAS
K1	5		1	NUT G 1/2 DIN 431 A SS
K1	6	9100000897	1	VALVE WATER STOP PKD
K1	7	9100000898	1	SUPPORT WATER STOP PKD
K1	8		5	SCREW 3.5X10 THD FORMING SS
	<b>K1*</b>	<b>9100000005</b>	<b>1</b>	<b>AUTOMATIC WATER FILLING KIT</b>

ACCESSORIES

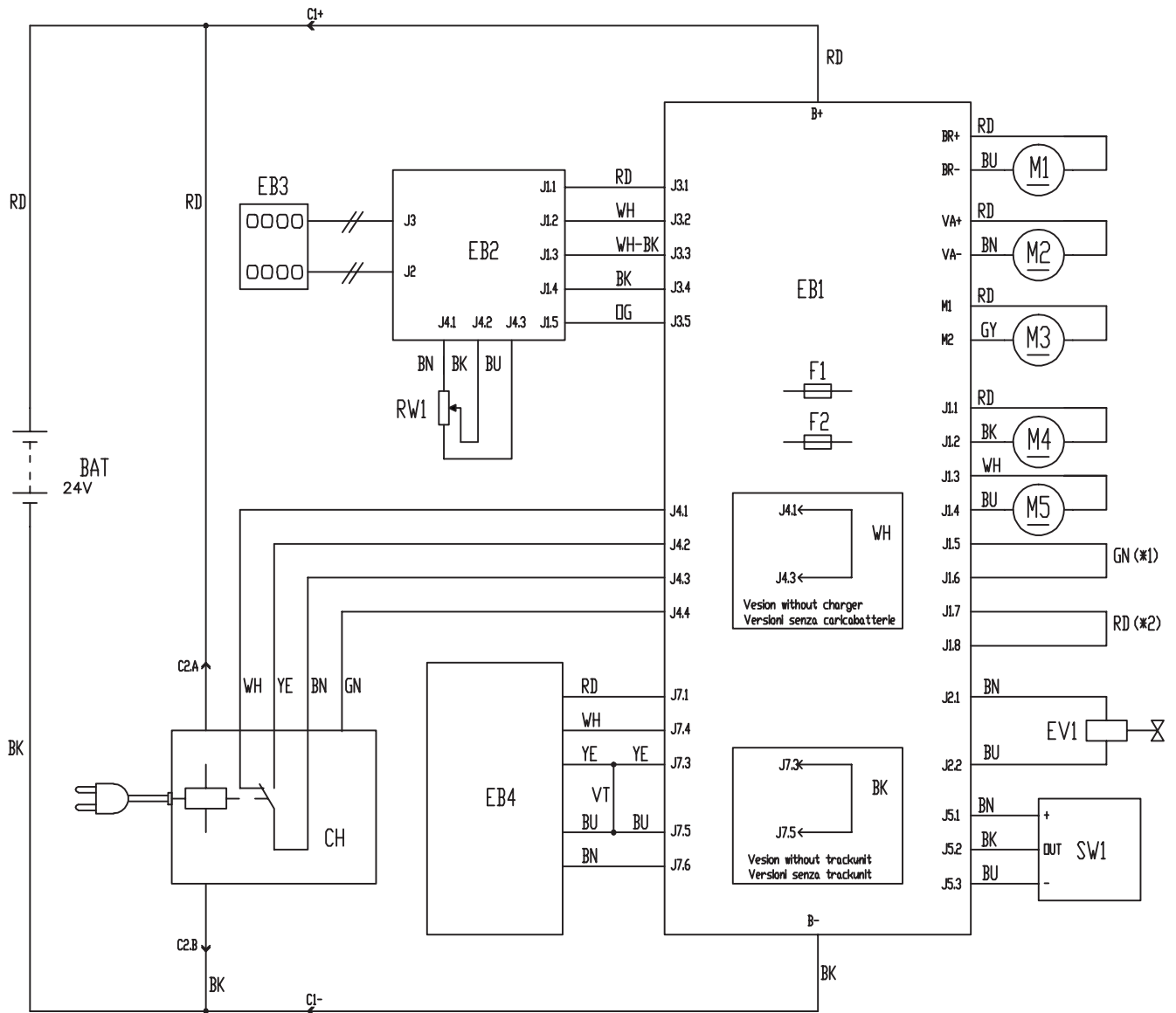




## ACCESSORIES

KIT	ITEM	REF. NO.	QTY	DESCRIPTION
	1*	L08837025	1	BRUSH DISC 530MM 21 PROLENE
	1*	L08837026	1	BRUSH DISC 530MM 21 PROLITE
	1*	L08837027	1	BRUSH DISC 530MM 21 UNION MIX
	1*	L08837028	1	BRUSH DISC 530MM 21 MIDLITE GRIT 180
	1*	L08837029	1	BRUSH DISC 530MM 21 MID GRIT 240
	1*	L08837065	1	BRUSH DISC 530MM 21 MAGNA GRIT 46
	1*	L08837066	1	BRUSH DISC 530MM 21 DYNA GRIT 80
	1*	L08837067	1	BRUSH DISC 530MM 21 AGLITE GRIT 500
	2*	L08837018	1	PAD HOLDER 530MM
	3	L08603966	1	RING NYLON
	4	56505195	1	PAD RETAINER
	5*	9099671000	1	PAD HOLDER FLAT 20 508MM
	6*	10001955	1	PAD 20 508MM ECO BLACK 5PCS
	6*	10001956	1	PAD 20 508MM ECO BLUE 5PCS
	6*	10001957	1	PAD 20 508MM ECO BROWN 5PCS
	6*	10001958	1	PAD 20 508MM ECO GREEN 5PCS
	6*	10001959	1	PAD 20 508MM ECO RED 5PCS
	6*	10001960	1	PAD 20 508MM ECO WHITE 5PCS
	6*	10002348	1	PAD 20 508MM ECO BRILLIANCE RED 2PCS
	6*	10002349	1	PAD 20 508MM ECO BRILLIANCE BLUE 2PCS
	6*	10002350	1	PAD 20 508MM ECO BRILL. YELLOW 2PCS
	6*	10002351	1	PAD 20 508MM ECO BRILLIANCE GREEN 2PCS
	7*	56390008	1	BRUSH NYLON REV
	8*	56390079	1	MICROFIBER PAD

WIRING DIAGRAM



## WIRING DIAGRAM

KEY	REF. NO.	DESCRIPTION
BAT	-	24 V BATTERIES
C1	9100000884	CONNECTOR RED 120A 2 PCS SET
C2	-	BATTERY CHARGER MAIN CONNECTOR
C3	-	BATTERY CHARGER SUB-CONNECTOR
CH	9100000888	CHARGER BATT. O/B 24V 13A 100-230V PKD
EB1	9100000879	CONTROLLER MAIN MACHINE PKD
EB2	9100000842	CARD DISPLAY PKD
EB3 (A)	9100000846	DASHBOARD CONTROL PANEL PKD
EB3 (B)	9100000847	DASHBOARD CONTROL PANEL PKD
EB4	-	TRACKUNIT PUSH-BUTTON (OPTIONAL)
EV1	9100000870	SOLENOID VALVE 24V PKD
F1	9100000877	FUSE MIDIFUSE 100A PKD
F2	9100000878	FUSE BLADE 3A PKD
M1 (A)	9100000874	REDUCTION GEARMOTOR 450W 24V PKD
M1 (B)	56390072	MOTOR 24VDC
M2	9100000823	MOTOR VACUUM 24V 280W PKD
M3	9100000828	MOTOR ELECTRIC 200W 24V PKD
M3	9100000921	MOTOR ELECTRIC 200W 24V
M4	9100000892	PUMP CHEMICAL MIX PKD
M5 (A)	9100000805	ACTUATOR LINEAR 24V DC STRK 120MM PKD
M5 (B)	9100000806	ACTUATOR LINEAR 24V DC STRK 98MM PKD
RV1	9100000837	POTENTIOMETER 5K PKD
SW1	9100000893	SENSOR WATER LEVEL PKD
	(A):	FOR DISC DECK VERSION
	(B):	FOR REV DECK VERSION

KEY	COLOUR
BK	BLACK
BU	LIGHT BLUE
BN	BROWN
GN	GREEN
GY	GREY
OG	ORANGE

KEY	COLOUR
PK	PINK
RD	RED
VT	VIOLET
WH	WHITE
YE	YELLOW

## RECOMMENDED PARTS

REF. NO.	QTY	DESCRIPTION
		<b>NORMAL WEAR</b>
910000829	1	BAND ELASTIC F EXTENSION CABLE PKD
910000922	1	CARBON BRUSHES KIT 2 PCS
910000810	1	BLADE SQUEEGEE 740MM 29 GUM KIT
910000490	1	BLADE SQUEEGEE 730MM 29 PU KIT
910000060	1	BLADE SQUEEGEE 730MM 29 RED GUM KIT
910000922	1	CARBON BRUSHES KIT 2 PCS
9098376000	1	CARBON BRUSHES KIT 4 PCS
		<b>ORDINARY MAINTENANCE</b>
910000794	1	CABLE SAFETY F TANK KIT
910000812	1	HOSE DRAIN BLACK PKD
910000889	1	CLIP HOSE STOPPING 2 PCS SET
910000816	1	HOSE SUCTION BLACK PKD
910000904	1	MOTOR VACUUM 24V 280W CPL KIT
910000819	1	GASKET BULB RUBBER L.1670MM PKD
910000921	1	MOTOR ELECTRIC 200W 24V
910000823	1	MOTOR VACUUM 24V 280W PKD
910000739	1	GASKETS VACUUM MOTOR KIT
910000830	1	WHEEL D.200X50 GREY-BLACK 2 PCS SET
910000843	1	KEY OPERATOR COMPLETE PKD
910000902	2	BEARING FLANGE IGLIDUR 2 PCS SET
910000855	1	SPRING GAS 30 KG PKD
910000856	1	WHEEL PIVOTING 2 PCS SET
910000857	1	SLEEVE SUCTION HOSE PKD
910000903	1	WASHER THRUST GTM 3254-015 PKD
910000796	1	HOSES SOLUTION SYSTEM KIT
910000861	1	NET WATER FILTER REINFORCED PKD
910000559	3	WHEEL D.51 GREY PKD
910000864	1	STRAP ELASTIC F REAR SQUEEGEE BLADE PKD
910000865	1	STRAP FRONT SQUEEGEE BLADE PKD
910000867	1	GUIDE WHEEL 2 PCS SET
910000797	1	HOSES BRUSH DECK KIT
910000870	1	SOLENOID VALVE 24V PKD
910000871	1	HUB BRUSH PKD
910000874	1	REDUCTION GEARMOTOR 450W 24V PKD
56390072	1	MOTOR 24VDC
56412287	1	MOTOR BRUSH/SPRING KIT
910000901	1	GASKET ADHESIVE 12X5 L.1090MM PKD
910000798	1	GASKETS COVER KIT
		<b>EXTRA ORDINARY MAINTENANCE</b>
910000803	1	VALVE ELBOW PKD
9098446000	1	HOSE SOLUTION
909 6380 000	1	CLAMP KIT
910000899	1	FILTER WATER INLET PKD
910000805	1	ACTUATOR LINEAR 24V DC STRK 120MM PKD
910000808	1	RUBBER SOLUTION CAP PKD
910000743	1	MOTOR DRIVE 200W 24V PKD
910000811	1	HOSE FILLING PKD
910000820	1	HARNESS VACUUM MOTOR PKD
9099767000	1	SUPPORT FLOAT KIT
910000837	1	POTENTIOMETER 5K PKD
910000842	1	CARD DISPLAY PKD
910000845	1	HARNESS CONTROL PANEL PKD
910000846	1	DASHBOARD CONTROL PANEL PKD
910000847	1	DASHBOARD CONTROL PANEL PKD
910000848	1	KEY SERVICE COMPLETE PKD
910000860	1	FILTER WATER PKD
910000747	1	SQUEEGEE 730MM/29 PRE-ASSEMBLED PKD
910000868	1	VIBRATION DAMPING M8 60SH 2 PCS SET
910000873	1	DECK BRUSH PKD
56382991	1	KIT-ISOLATOR BOOST HD
910000879	1	CONTROLLER MAIN MACHINE PKD
910000881	1	HARNESS MACHINE SC500 53B/20B PKD
910000884	1	CONNECTOR RED 120A 2 PCS SET

## OPTIONAL

REF. NO.	QTY	DESCRIPTION
9100000703	1	HOSE FILLING PKD
9100000491	1	HIGH POWER VACUUM MOTOR 24V 450W KIT
9100000795	1	TRAY DEBRIS KIT
9100000843	1	KEY OPERATOR COMPLETE PKD
9100000848	1	KEY SERVICE COMPLETE PKD
909 5065 000	1	FILTER ANTIFOAMING
9100000810	1	BLADE SQUEEGEE 740MM 29 GUM KIT
9100000490	1	BLADE SQUEEGEE 730MM 29 PU KIT
9100000060	1	BLADE SQUEEGEE 730MM 29 RED GUM KIT
9098025000	1	ADAPTER CHEMICAL KIT
9099826000	1	SPLASH GUARD 510MM 20 KIT
9100000065	1	MOP AND TRASH KIT
9100000005	1	AUTOMATIC WATER FILLING KIT
L08837025	1	BRUSH DISC 530MM 21 PROLENE
L08837026	1	BRUSH DISC 530MM 21 PROLITE
L08837027	1	BRUSH DISC 530MM 21 UNION MIX
L08837028	1	BRUSH DISC 530MM 21 MIDLITE GRIT 180
L08837029	1	BRUSH DISC 530MM 21 MID GRIT 240
L08837065	1	BRUSH DISC 530MM 21 MAGNA GRIT 46
L08837066	1	BRUSH DISC 530MM 21 DYNA GRIT 80
L08837067	1	BRUSH DISC 530MM 21 AGLITE GRIT 500
L08837018	1	PAD HOLDER 530MM
9099671000	1	PAD HOLDER FLAT 20 508MM
10001955	1	PAD 20 508MM ECO BLACK 5PCS
10001956	1	PAD 20 508MM ECO BLUE 5PCS
10001957	1	PAD 20 508MM ECO BROWN 5PCS
10001958	1	PAD 20 508MM ECO GREEN 5PCS
10001959	1	PAD 20 508MM ECO RED 5PCS
10001960	1	PAD 20 508MM ECO WHITE 5PCS
10002348	1	PAD 20 508MM ECO BRILLIANCE RED 2PCS
10002349	1	PAD 20 508MM ECO BRILLIANCE BLUE 2PCS
10002350	1	PAD 20 508MM ECO BRILL. YELLOW 2PCS
10002351	1	PAD 20 508MM ECO BRILLIANCE GREEN 2PCS
56390008	1	BRUSH NYLON REV
56390079	1	MICROFIBER PAD



**Advance**

14600 21st Avenue North  
Plymouth, MN 55447-3408

[www.advance-us.com](http://www.advance-us.com)

Phone: 800-989-2235

Fax: 800-989-6566

©2014 Nilfisk-Advance, Inc.

---

**A Nilfisk-Advance Brand**