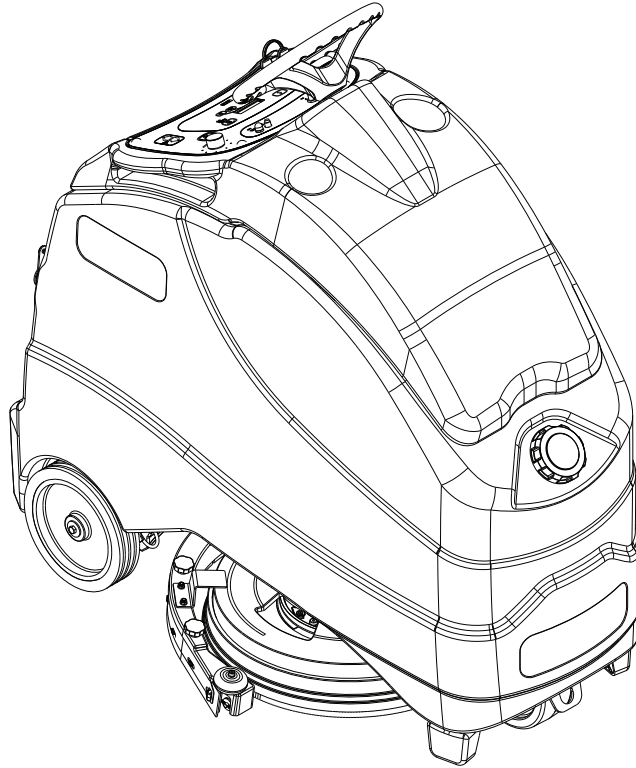


SC1500



PARTS LIST

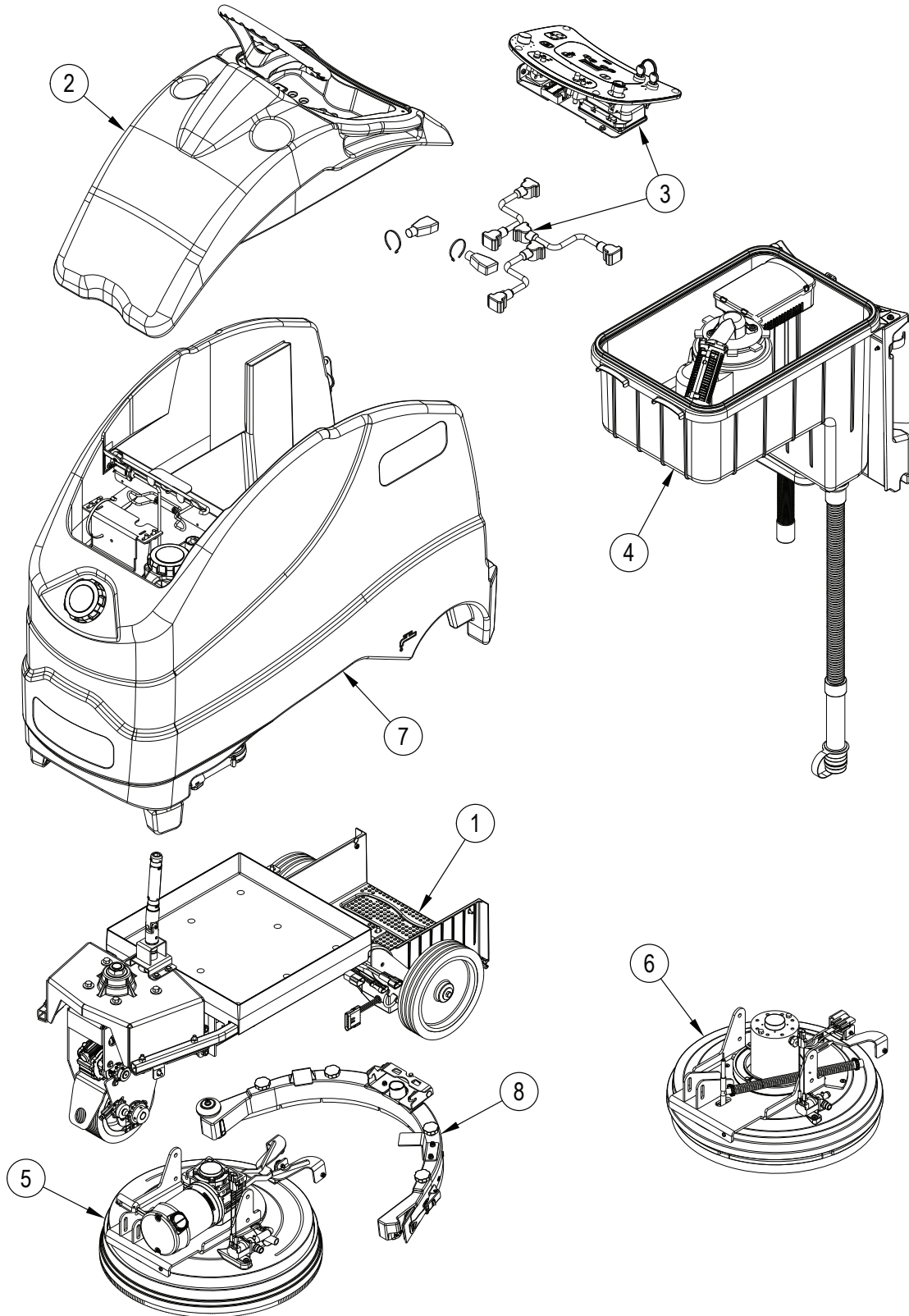
MODELS 56104000, 56104001



Advance

11/2012 revised 7/2015 FORM NO. 56042591 REV F

GENERAL VIEW



Item	Ref. No.	Qty	Description
1		1	Chassis System
2		1	Control System
3		1	Electrical System
4		1	Recovery System

Item	Ref. No.	Qty	Description
5		1	Scrub System-20D
6		1	Scrub System-REV
7		1	Solution System
8		1	Squeegee Assy

TABLE OF CONTENTS

DESCRIPTION	PAGE
Chassis System	2-3
Drive Wheel Assembly	4-5
Platform Assembly	6-7
Control System	8-9
Decal System.....	10-11
Electrical System	12-13
Recovery System.....	14-15
Scrub System-20D.....	16-17
Scrub System-REV	18-19
Solution System.....	20-21
Squeegee System	22-23
Ladder Diagram-1 Before July 2014.....	24-25
Ladder Diagram-2 Before July 2014.....	26-27
Ladder Diagram-1 After June 2014.....	28-29
Ladder Diagram-2 After June 2014.....	30-31
Optional Kits and Accessories	32
Recommended Spare Parts	33-34
Brush Selector Guide-Disk	35
Pad Selector Guide.....	36
Squeegee Blade Selector Guide	37

WHEN ORDERING PARTS

* Use the part numbers from the “Ref. No.” columns in this parts list. If the “Ref. No.” column is blank; look under the “Kit” column to identify which kit contains the part in question, then use the kit callout, for example “K1”, to find the “Ref. No.” for that kit.

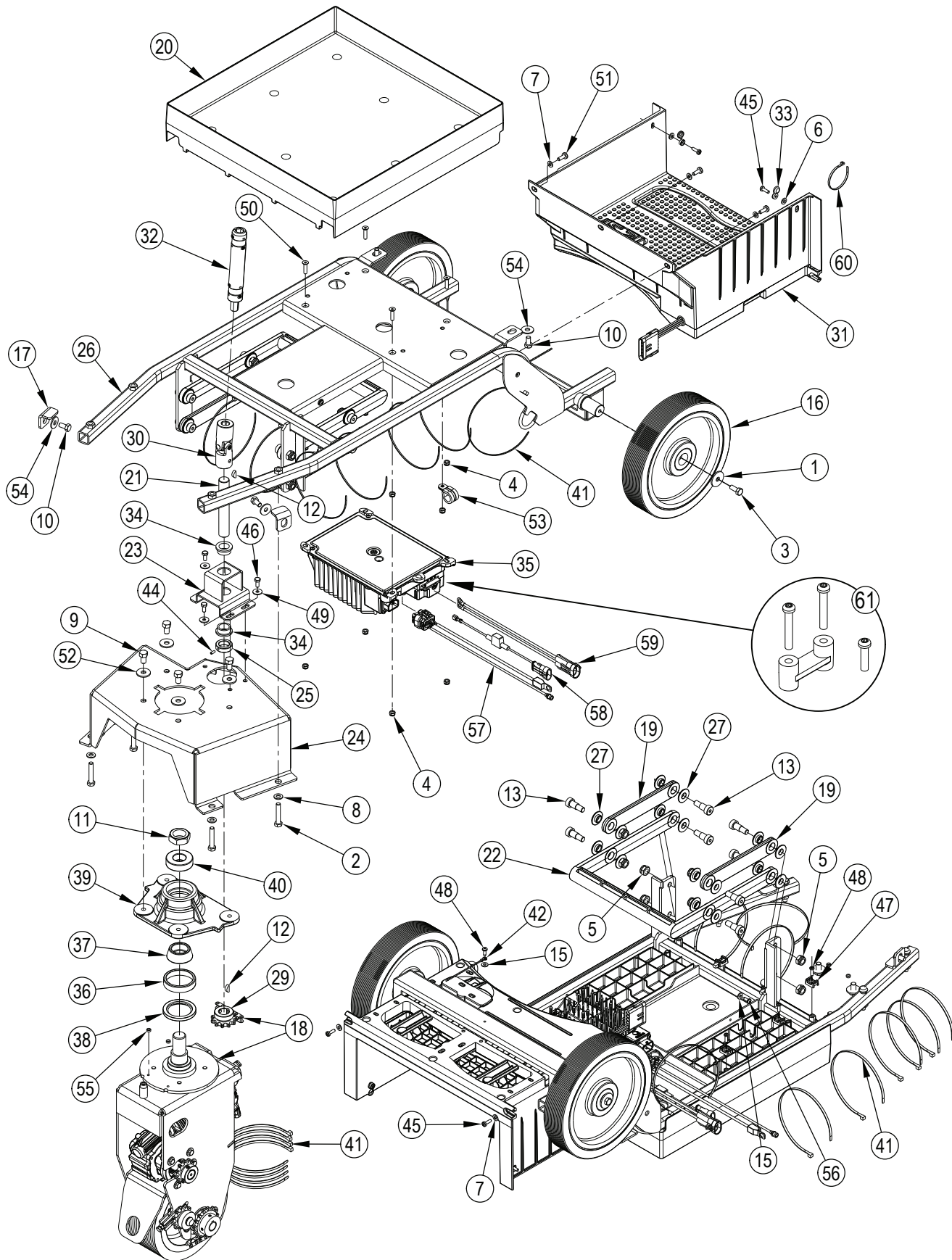
Kit	Item	Ref. No.	Qty	Description
K1	1		16	Washer Flat 3/16 Zinc Plat
K1	2		2	Screw-BHS-Brass-10-32x3/8-MS
K1	3		3	Washer EPDM 7/32 X 1/8
	4	805	1	Chain-Cover
	5	905	2	Caster Swivel 4 Gray Non MA
K1	6		2	Nut, Hex Nyl Loc 10-24
K1	7		3	Scr- Hex SS 1/4-20 X .75
K1	8		16	Scr, Hex Hd Loc 1/4-20 x .50
K1	9		3	Wsh, Flt SS .260 X 1.000 X .074
	10	56113012	1	Solution Tank
	11	56113034	2	Hinge Plate
K1		56113103	1	Kit-Hardware Solution Tank

* Specify the model and serial number of the machine.

* Use the space below to record the model and serial number for future reference.

Model _____ Serial No. _____

CHASSIS SYSTEM



CHASSIS SYSTEM

Kit	Item	Ref. No.	Qty	Description	Kit	Item	Ref. No.	Qty	Description
K2,K4	1		2	Washer, Flat XL 9.0 x 32.0 x 2.5	K3	36		1	Bearing Cup
K4	2		4	Screw, Hex Hd M8 x 45-	K3	37		1	Bearing Cone
K2,K4	3		2	Screw, Hex Thd To Hd M8 x 20 SS	K3	38		1	Seal, Shaft
K4	4		9	Nut, Hex Nyl Loc Thin M6		39	56314032	1	Block, Bearing
K4	5		8	Nut, Hex Nyl Loc Thin M10	K3	40		1	Bearing Ball
	6#			DELETED	K4	41#		12	Tie, Cable
K4	7#		7	Washer, Flat 6.4 X 12.5	K4	42		1	Chain - Ball
K4	8		4	Washer, Flat 8.4 X 16 X 1.6	K4	44		1	Screw Grub M5 x 10 Uni5929
K4	9		4	Scr-Hex Hd Loc 3/8-16 x .62	K4	45		4	Scr, Pan Phil M5 x 16
K4	10		4	Scr-Hex M8-1.25 X 16MM	K4	46		3	Screw, Hex Thd To Hd M6 x 14
K3	11		1	Nut, Hex Nyl Loc-Thin 1-14	K4	47		5	Flat Tie Holder
K4	12		2	Key-Wdf 5MM X 6.5MM X 16MM	K4	48		5	Thread Rolling Scr 5 X 16
K4	13		8	Scr-Soc Shd M12 x 16mm x M10-1.50	K4	49		3	Washer, Flat XI
K4	15		2	Wsh, Int Shprf #10	K4	50		4	Screw Flat Socket Head M6 x 25.0
K2	16		2	Wheel	K4	51		3	Scr, Pan Phil M6 x 16
	17	56104091	2	Mounting Tab	K4	52		4	Washer, Flat XI 9.5 X 27 X 2.5
	18		1	Drive Wheel Assembly		53	9095516000	1	Clamp 18
	19	56104094	2	Bar Linkage	K4	54		4	Washer Flat XI Uni-6593 8 x 24
	20	56104105	1	Battery Tray		55	9099196000	2	Spacer 5.5 X 8 X 3
	21	56104130	1	Steering Shaft	K4	56		2	Scr 4.8 X 16 UNI6954 Thd Form
	22	56104135	1	Link Bar		57	56383857	1	Indicator-Charge Led W/Temp
	23	56104148	1	Steering Shaft Weldt		58	56383587	1	Adapter-Interlock Pin 1
	24	56104151	1	Spindle Mount Weldment		59	56383586	1	Adapter-Charger Delta-Q Power
	25	56104157	1	Collar		60	1450524000	1	Clamp Black
	26	56104448	1	Chassis Weldment		61	56384043	1	Strain Relief Kit
K4	27		16	Bushing Link Arm					
	[28]	56104239	1	Harness-Drive Motor					
	29	56104269	1	Sprocket-11 Tooth					
K1	30		1	Universal Joint					
	31		1	Platform Assembly					
	32	56104319	1	Tube-Steering Assembly TSB-FC-2014-002					
K4	33		2	Screw Cap					
	34	56104267	2	Bearing Flange					
	35#	56383856	1	Charger-Onboard 24VDC 650W (E2) NOTE 1, TSB-FC-2015-007					

SERVICE KITS

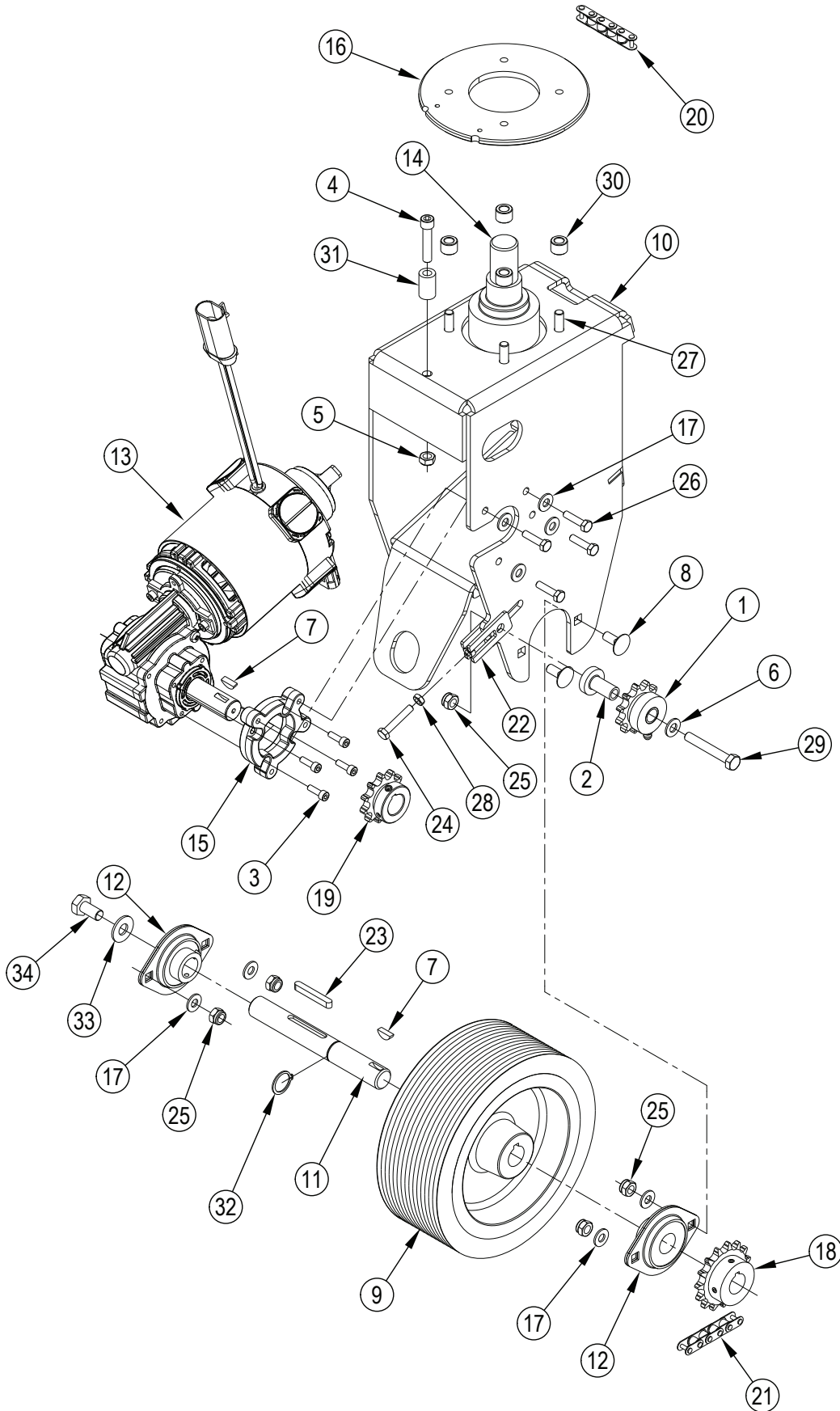
K1	56104328	1	Universal Joint Kit
K2	56104331	1	Rear Wheel Kit
K3	56104332	1	Bearing Block Kit
K4	56104333	1	Chassis Hardware Kit

[] = Not Shown

= Revised or new since last update

NOTE 1 = The onboard battery charger 56112544 has been replaced in production by 56383856. If you need to replace 56112544 please order Onboard Charger Kit 56383872.

DRIVE WHEEL ASSEMBLY



DRIVE WHEEL ASSEMBLY

<u>Kit</u>	<u>Item</u>	<u>Ref. No.</u>	<u>Qty</u>	<u>Description</u>
			1	Drive Wheel Assembly
K7	1		1	Sprocket Assy TSB-FC-2013-132
K7,K8	2		1	Bushing, Flanged
K5,K8	3		4	Viti Tcei/Scr, Soc Hd
K8	4		1	Scr-Soc Hd 5/16-18 X 1.50
K8	5		1	Nut, Hex Nyl Loc-Thin 5/16-18
K7,K8	6		1	Wsh-Fit Sae Ss 5/16
K5,K6,K7	7		2	Key-Wdf 5mmx6.5mmx16mm
K6,K8,K9	8		4	Scr-Carriage Ss M8-1.25 X 20mm
K6	9		1	Drive Wheel
	10	56104431	1	Drive Wheel Frame Weldment (used after September 2013)
		56104058	1	Drive Wheel Frame Weldt (used before October 2013)
K6	11		1	Axle TSB-FC-2014-002
K6,K9	12		2	Axle Bearing
K5	13#		1	Drive Wheel Motor (M1) TSB-FC-2015-012
	*	56384100	1	Electromagnetic Brake Kit NOTE 1
	14	56104077	1	Spindle Weldt
K5	15		1	Spacer
	16	56104115	1	Steering Plate
K5,K6,K8,K9	17		8	Washer, Flat 8x17x1.6 SS
K7	18		1	Sprocket-15 Tooth TSB-FC-2013-132
K7	19		1	Sprocket-11 Tooth TSB-FC-2013-132
	20	56104270	1	Chain-Roller
K7	21		1	Chain-Roller
K7	22		1	Weld't-Idler Adjust
K6	23		1	Key, 6mm Sq
K7,K8	24		1	Screw, Hex Thd To Hd M6x35 SS
K5,K6,K8,K9	25		5	Nut, Hex Nyl Loc Thin M8 SS
K5,K6,K8	26		4	Screw, Hex Thd To Hd M6x25 SS
K8	27		4	Screw, Hex Thd To Hd M8x30 SS
K7,K8	28		1	Nut, Hex M6 SS
K7,K8	29		1	Screw, Hex Thd To Hd M8x55 SS
K8	30		4	Spacer
K8	31		1	Spacer
K6	32	33006059	1	Ring D 20 UNI7435 TSB-FC-2014-002
K6	33	56003959	1	Wsh-Fit A2 DIN9021 10.5X30X2.5 TSB-FC-2014-002
K6	34	56003533	1	Scr Hex SS M10-1.50X20MM TSB-FC-2014-002

SERVICE KITS

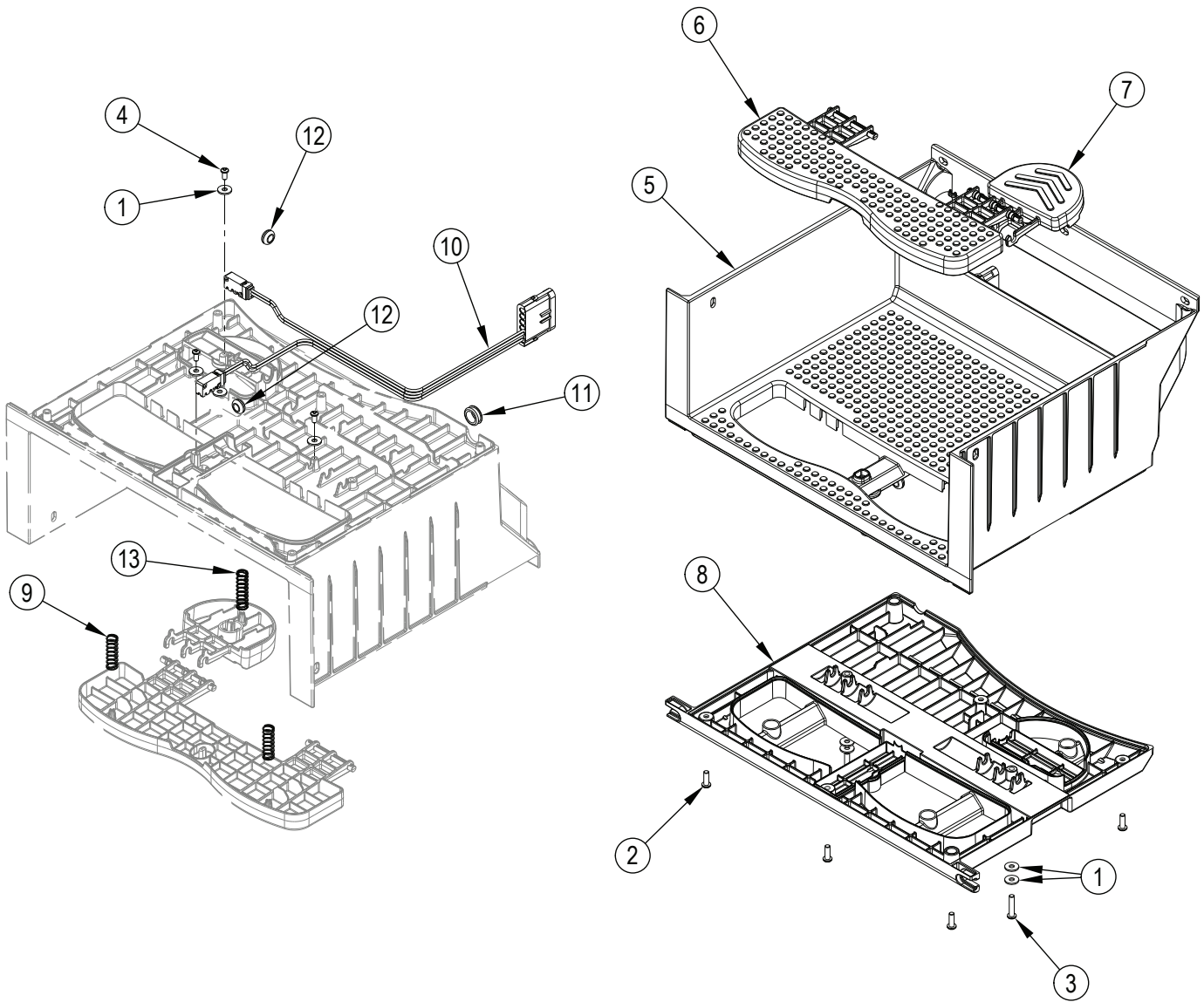
K5	56104336	1	Drive Wheel Motor Kit
K6	56104338	1	Wheel And Bearing Kit
K7	56104435	1	Sprocket And Chain Kit (used with 56104431)
K7	56104339	1	Sprocket And Chain Kit (used with 56104058)
K8	56104340	1	Drive Wheel Hardware Kit
K9	56104384	1	Front Wheel Bearings Kit

* = Optional, Not Included

= Revised or new since last update

NOTE 1: Electromagnetic Brake Kit 56384100 can be used to replace Brake-Electromagnetic 56384098 as a separate repair part for the Drive Wheel Motor.

PLATFORM ASSEMBLY



PLATFORM ASSEMBLY

Kit	Item	Ref. No.	Qty	Description
			1	Platform Assembly
K1	1		8	Washer TSB-FC-2014-043 NOTE 1
K1	2		6	Scr Pan Phil Plastit10-14x.62
K1	3		2	Scr Pan Phil Plastite 10-14x1
K1	4		4	Scr-Pan Phil Plast M5x2.3x10mm
	5	56104052	1	Platform-Upper
	6	56104185	1	Pedal-Safety
	7#	56384567	1	Pedal-Foot
	8	56104187	1	Platform-Bottom
	9#	56384579	2	Spring-Compression-M/W-.480 OD NOTE 2
	10	56104406	1	Switch Harness (S2, S5)
	11	56158690	1	Grommet
	12	56331006	2	Grommet
	13#	56384568	1	Spring-Compression-SS-.480 OD NOTE 2

SERVICE KITS

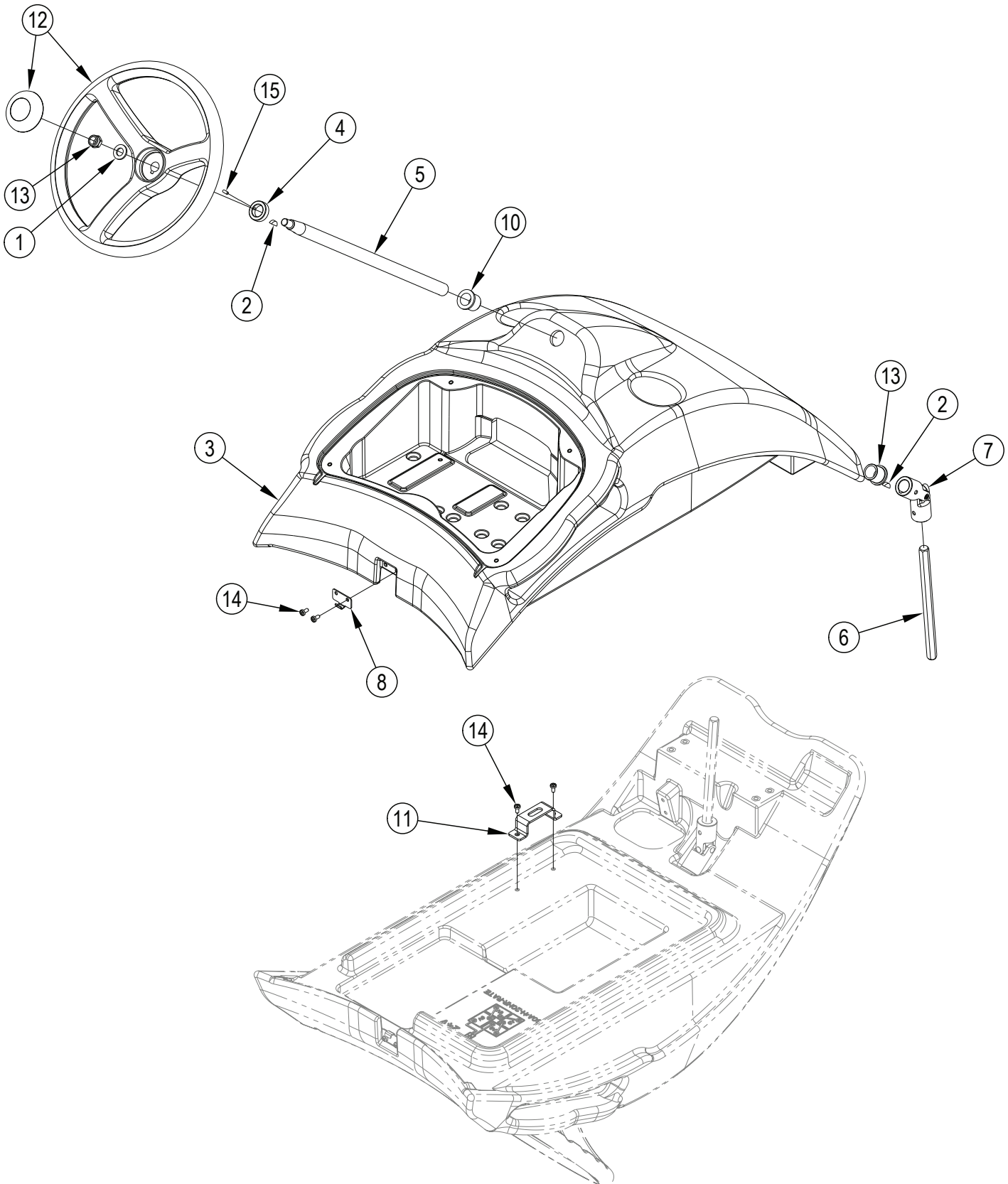
K1	56104417	1	Platform Hardware Kit
----	----------	---	-----------------------

= Revised or new since last update

NOTE 1: TSB-FC-2014-043 – All machines built prior to SN3510144706623 order and install Neoprene Washer PN 56209261.

NOTE 2: To replace a spring on machines built before July 2015, order (2) of 56384579 and (1) of 56384568. All three springs should be replaced at the same time for these machines.

CONTROL SYSTEM



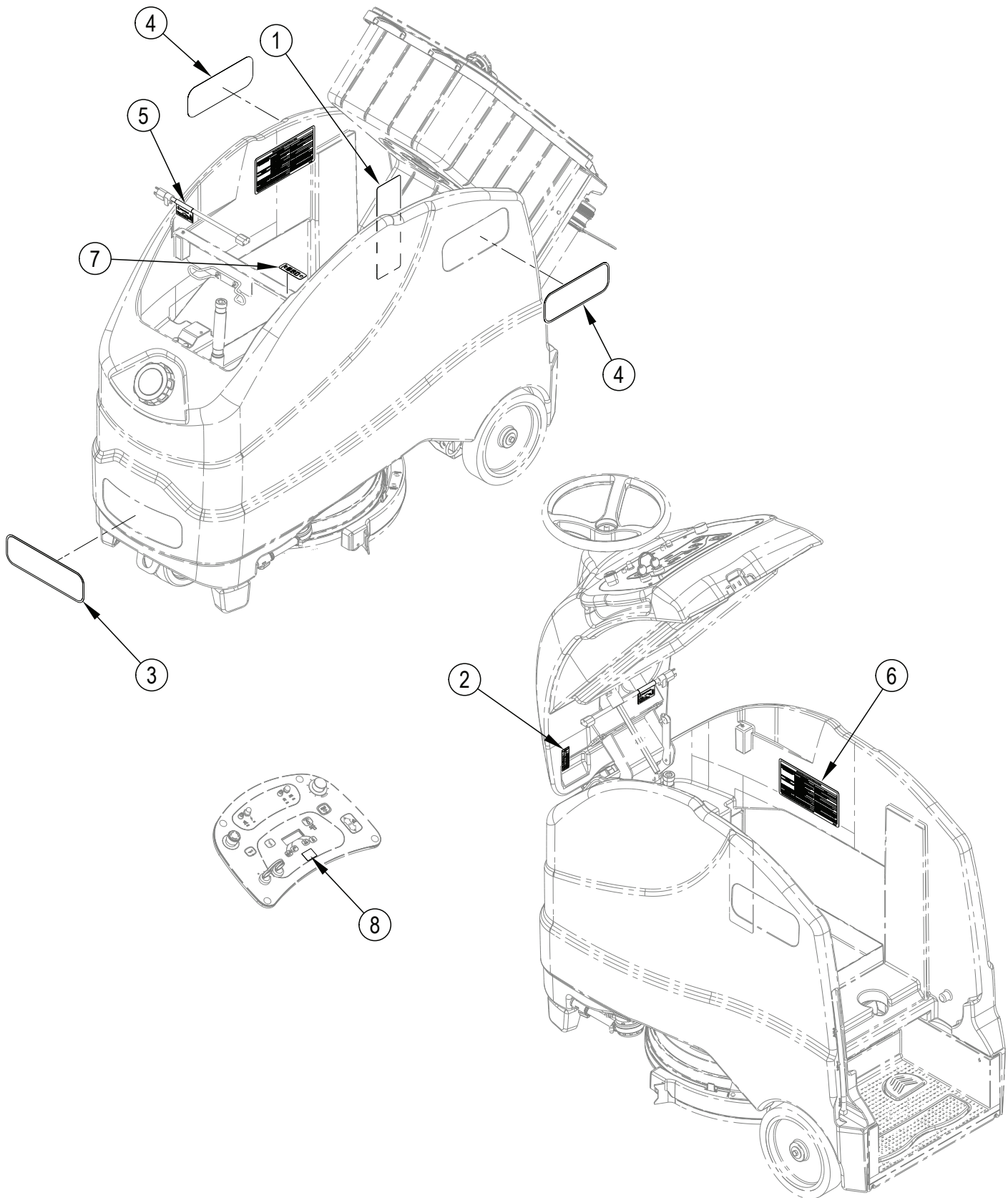
CONTROL SYSTEM

Kit	Item	Ref. No.	Qty	Description
K3	1		1	Washer, Flat 13X24
K3	2		2	Key-Wdf 5mmX6.5mmX16mm
	3	56104053	1	Control Panel
K3	4		1	Collar
	5	56104196	1	Shaft Steering
	6	56104265	1	Shaft Hex
K1	7		1	Universal Joint
K2	8		1	Hook Latch
K3	10		2	Bearing-Flange
	11	56104410	1	Bracket-Prop Rod
	12	56601060	1	Steering Wheel
K3	13		1	Nut, Hex Nyl Loc Thin M12
K2,K3	14		4	Scr. Pan Phil M5x10 Ss
K3	15		1	Screw Grub M5x10 Uni5929

SERVICE KITS

	K1	56104328	1	Universal Joint Kit
	K2	56104352	1	Draw Latch Kit
	K3	56104365	1	Control Hardware Kit

DECAL SYSTEM



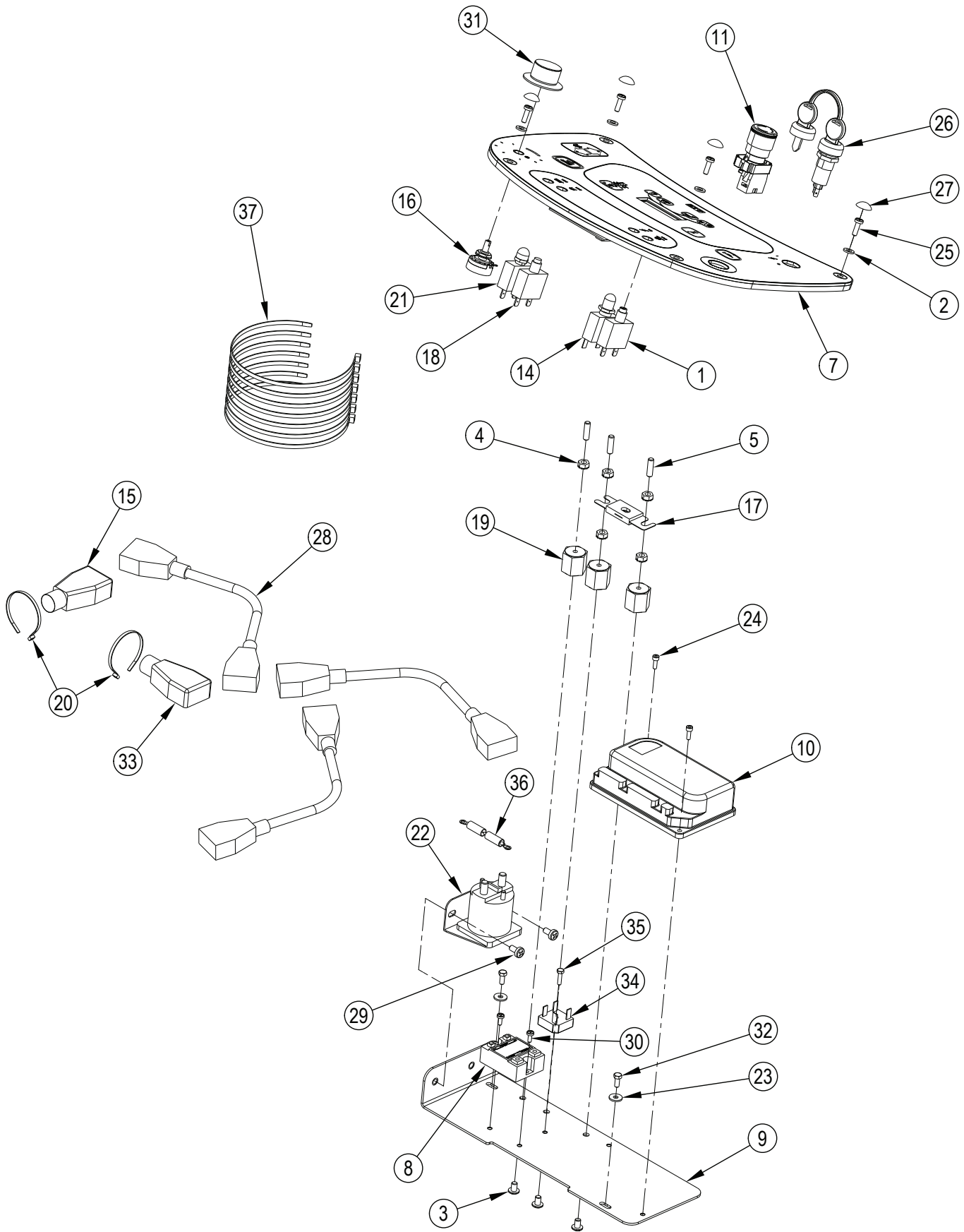
DECAL SYSTEM

Kit	Item	Ref. No.	Qty	Description
K1,K2	1		1	Decal. Caution
K1,K2	2		1	Decal-Chemical Ratio
K1,K2	3		1	Decal-Advance
K1	4		2	Decal-SC1500
K2			2	Decal-SC1500 Rev
K1,K2	5		1	Decal-Charger Cord
K1,K2	6		1	Decal-Error Codes
K1,K2	7		1	Decal-Charger LED
K1,K2	8		1	Decal-SC1500 QR Code

SERVICE KITS

K1	56104334	1	SC1500 Decal Kit
K2	56104348	1	SC1500 REV Decal Kit

ELECTRICAL SYSTEM



ELECTRICAL SYSTEM

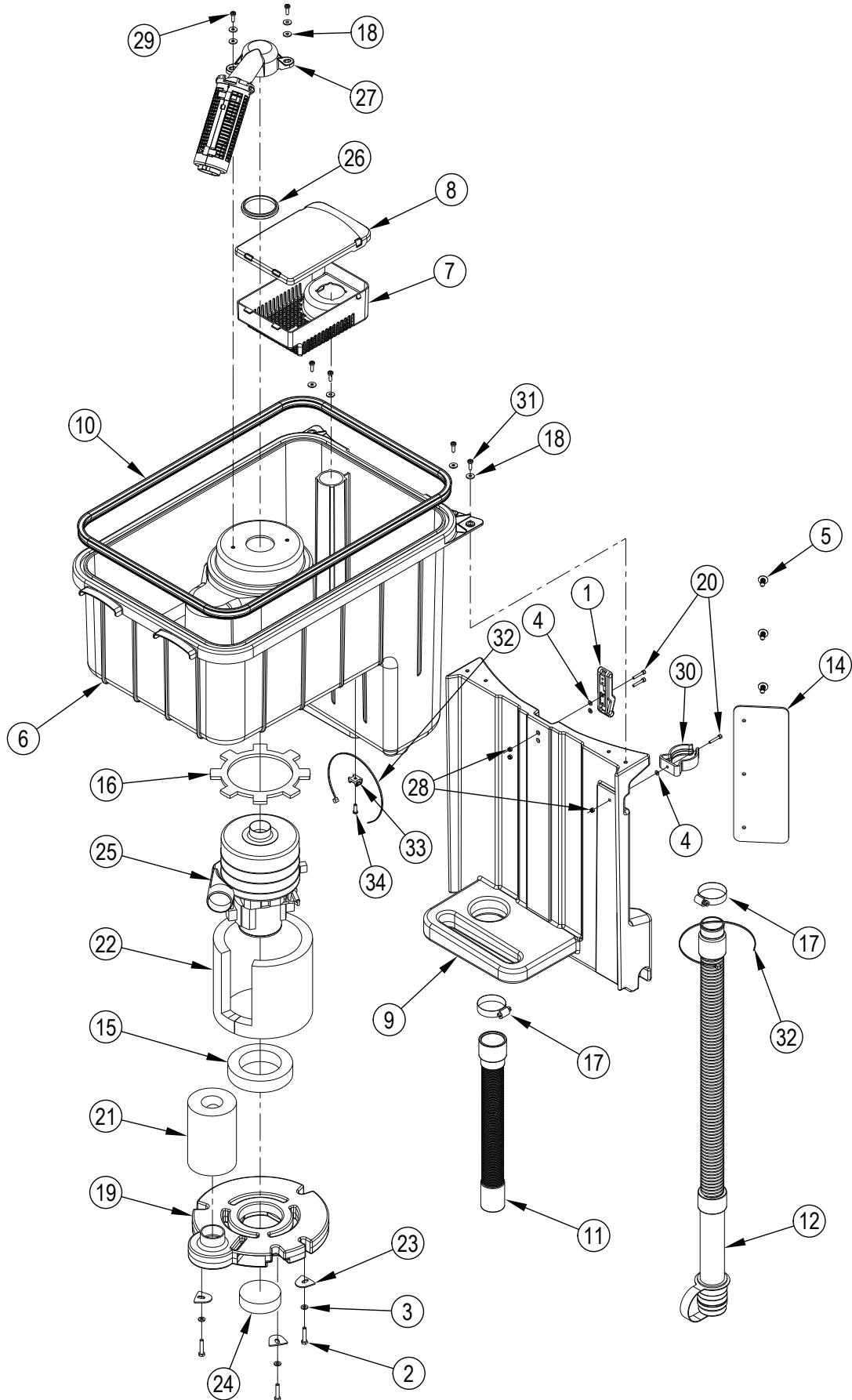
Kit	Item	Ref. No.	Qty	Description
	1	56104423	1	Circuit Breaker 50 Amp (CB1)
K1	2		4	Washer, Flat 6.4x12.5
K1	3		3	Scr-Pan Phil 1/4-20 X .38
K1	4		5	Nut, Hex W/ Shprf 1/4-20
K1	5		3	Stud
	[6]	56104444	1	Harness-Main
K2	7		1	Interface Panel Assembly (A1)
K3	*		1	Interface Panel Kit
	8	56104176	1	Solid State Relay (K1)
	9	56104193	1	Electrical Panel
	10	56104243	1	Speed Controller (E1)
	11	56104247	1	Disconnect-Emergency
	[12]	56104282	1	Cable-Power Red
	[13]	56104283	1	Cable-Power Black
	14	56315255	1	Circuit Breaker, 5 Amp (CB2)
	15	2-00-05171	1	Bat Terminal Cover Red
	16		1	Potentiometer, 100k (R1 / part of Main harness)
	17	56412089	1	Fuse, 150 Amp (F1)
	18	56413822	1	Circuit Breaker, 20 Amp (CB3)
	19	56469858	3	Electrical Mount
	20	56478246	2	Tie, Cable
	21	56509623	1	Circuit Breaker-25 Amp (CB4)
	22	56601183	1	Contacto 24v, 100 Amp (K2)
K1	23		2	Washer, Flat XI 5.5x15x1.2 Ss
K1	24		2	Viti Tcei/Scr, Soc Hd
K1	25		4	Scr, Pan Phil M5x16
	26	1462888000	1	Switch, Key With Water Proof Cup (S1)
	*	1462887000	1	Key 2 PCS
K1	27		4	Cover For Screw Tcb 4.8mm
	28#	41217A	3	Cable Battery Kit 14662B TSB-FC-2015-018
K1	29		2	Scr, Pan Phil M6x12
K1	30		2	Scr, Pan Phil M4x10
	31	50962A	1	Knob, Speed Control
K1	32		2	Screw, Hex Thd To Hd M5x12
	33	2-00-05173	1	Bat Terminal Cover Blk
	34	56265103	1	Rectifier 35 Amp (D2)
	35	1460497000	1	Screw Hex HD M4X16 SS
	36	56389265	1	Rectifier Assy. (D1)
	37	L08812587	7	Clamp 4.8 X 30 White
	[]	56104425	1	Wire Assy White
	[]	56104424	1	Wire Assy Black
SERVICE KITS				
K1	56104341		1	Electrical Hardware Kit
K2	56104371		1	Control Board Kit
K3	56104372		1	Interface Panel Kit

[] = Not Shown

* = Optional, Not Included

= Revised or new since last update

RECOVERY SYSTEM



RECOVERY SYSTEM

Kit	Item	Ref. No.	Qty	Description
K1	1		1	Latch, Draw
K7	2		3	Screw, Hex Thd To Hd M6x30
K7	3		3	Washer, Flat 6.4x12.5 S.S.
K1,K5,K7	4		3	Washer, Flat 4.3x9
K7	5		3	Rivet, Nylon Tree Push-In (.25)
	6	56104051	1	Recovery Tank
K4	7		1	Debris Cage
K4	8		1	Debris Tray Cover
	9	56104158	1	Back Panel
	10	56104164	1	Gasket-Recovery Tank
	11	56104258	1	Vac Hose Assy
	12	56104285	1	Drain Hose
	[13]	56104306	1	Jumper Harness
	14	56104443	1	Guard-Splash-4X12-Poly
K8	15		1	Vacuum Motor Support Gasket
K6	16		1	Gasket, Vacuum Motor
	17	1450543000	2	Hose Clamp 14/32-52
K3,K7	18		8	Washer, Flat XI 5.5x15x1.2 Ss
	19#	9100001280	1	Cover Vacuum Motor
K1,K5,K7	20		3	Viti Tcei/Scr, Soc Hd
K8	21		1	Insulation Tube
K8	22		1	Panel, Acoustic Insulation
K7	23		3	Plate Cover
	24	909 6672 000	1	Filter
K6	25		1	Vacuum Motor 3 Stage 24v (M4)
K3	26		1	Gasket Float Support
K3	27		1	Float Cage-Complete
K1,K5,K7	28		3	Nut, Hex Nyl Loc Thin M4 Ss
K3,K7	29		6	Scr.Pan Phil M5x16 Ss
K5	30		1	Clamp, Hose D.50
	31	L08812587	2	Clamp 4.8 X 30 White
	32	9096595000	1	Flat Tie Holder
	33	9097919000	1	Screw Cyl Hd 5X16 Self L. Plas

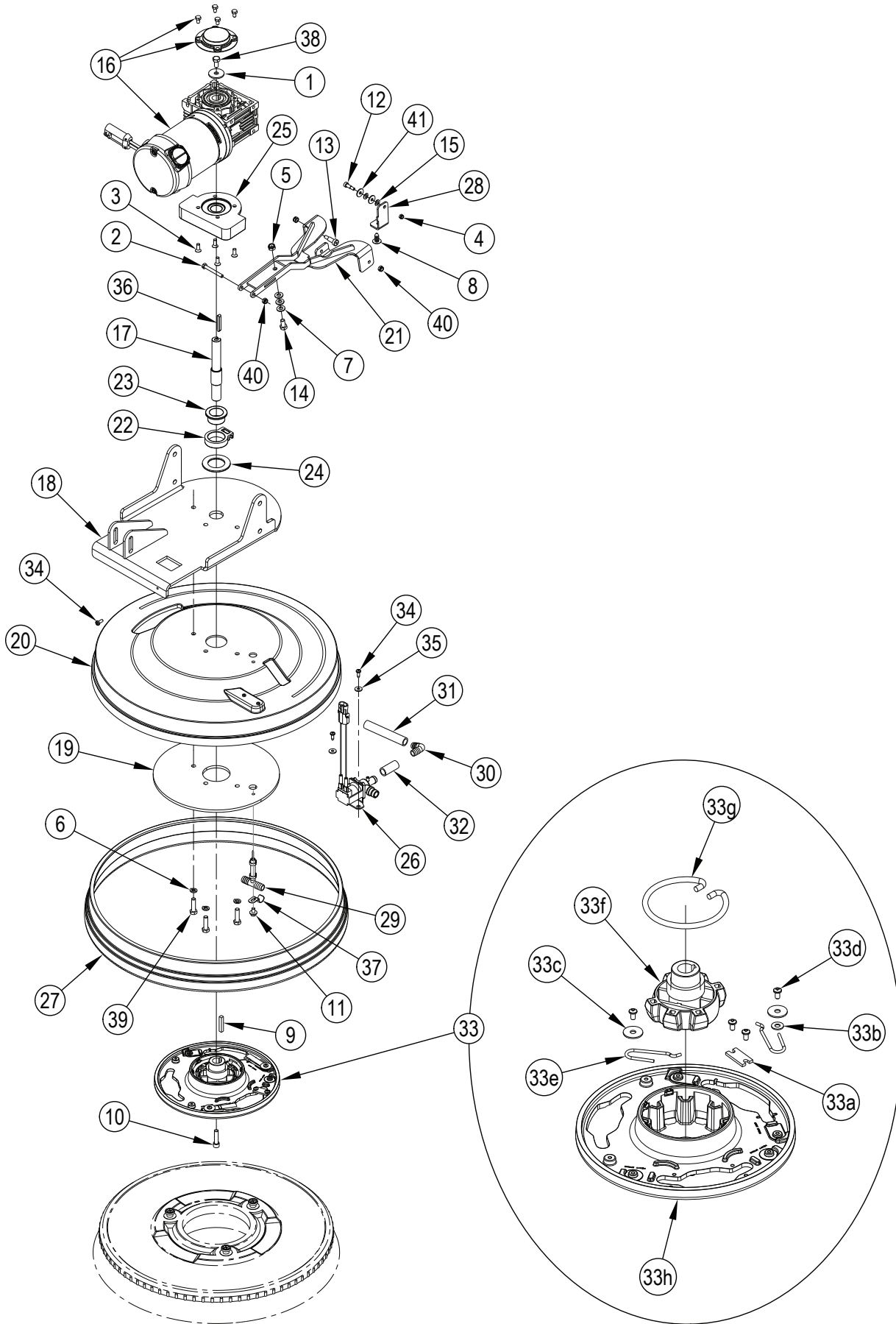
SERVICE KITS

K1	56104352	1	Draw Latch Kit
K3	56104359	1	Float Cage Kit
K4	56104360	1	Debris Cage Kit
K5	56104362	1	Hose Clamp Kit
K6	56104363	1	Vacuum Motor Kit
K7	56104364	1	Recovery Hardware Kit
K8	56104383	1	Vacuum Motor Insulation Kit

[] = Not Shown

= Revised or new since last update

SCRUB SYSTEM-20D



SCRUB SYSTEM-20D

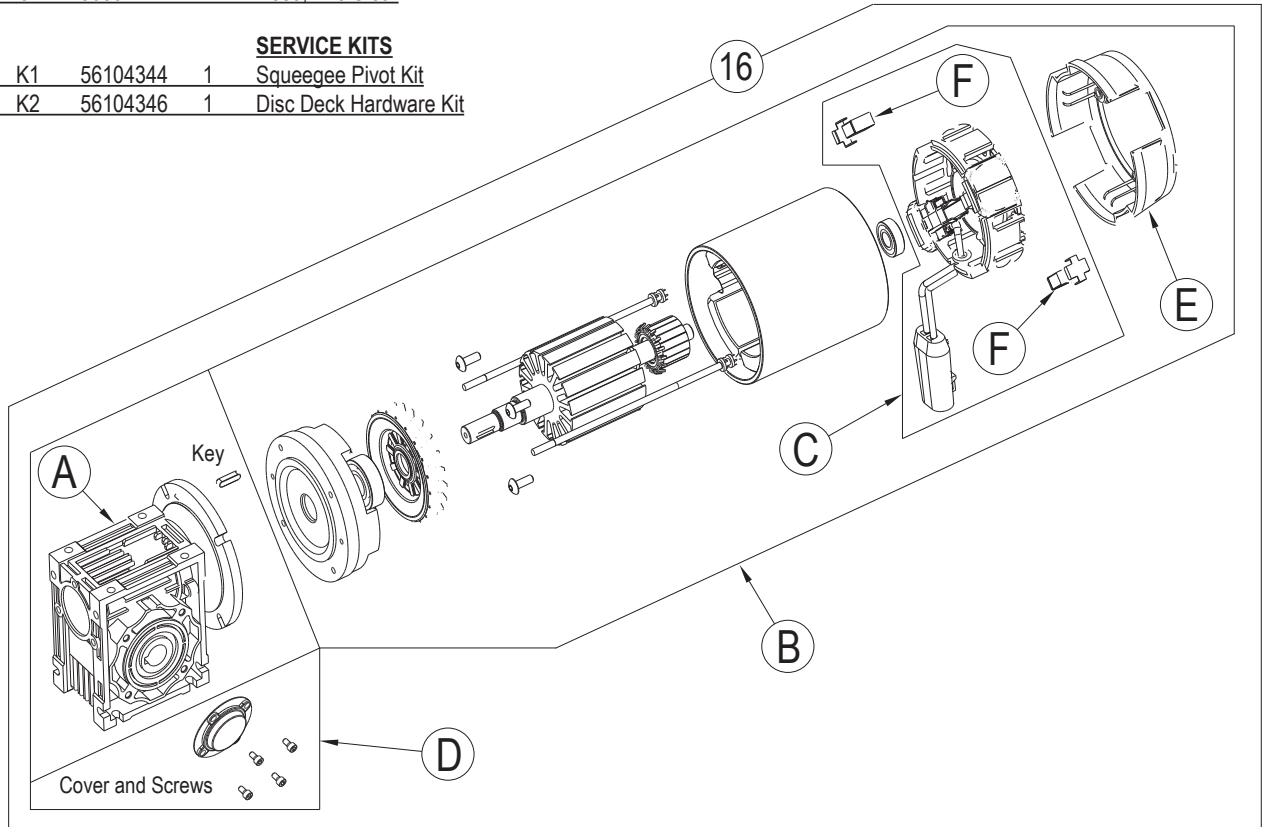
Kit	Item	Ref. No.	Qty	Description
K2	1		1	Washer, Flat XL 9.0 x 32.0 x 2.5
K2	2		1	Screw, Hex Thd To Hd M6x50
K2	3		4	Screw, Flat Socket Head
K2	4		1	Nut, Hex Nyl Loc Thin M5
K2	5		1	Nut, Hex Nyl Loc Thin M8
K2	6		3	Washer, Split Lock D.8
K2	7		3	Washer, Flat 8.4X16X1.6
K2	8		1	Rivet, Nylon Tree Push-In (.25)
K2	9		1	Key, Square .25 X 1.44
K2	10		1	Scr-Soc Hd 5/16-18 X 1.25 Zinc
K2	11		1	Scr-Hex Thd Form M6 X 10mm
K2	12		1	Scr-Soc Shd M6x12mm X M5-0.8
K2	13		2	Scr-Soc Shd M8x16mm X M6-1.00
K2	14		1	Scr-Hex Plastic M8-1.25 X 16MM
K2	15		2	Wsh, Bowed .266x.500x.060
	16	56104071	1	Disc Brush Motor (A-F) (M5)
	17	56104095	1	Shaft Disc Brush Motor
	18	56104117	1	Deck Lift Plate Weldment
	19	56104120	1	Lower Deck Plate
	20	56104121	1	Brush Housing
	21	56104126	1	Squeegee Link Weldment
K1	22		1	Squeegee Pivot Block
K1	23		1	Bearing Flange
K1	24		1	Squeegee Pivot Washer
	25	56104137	1	Spacer Motor
	26	56104169	1	Solenoid Valve Assy (L1)
	27	56104240	1	Skirt Brush
	28	56104241	1	Double Scrub Brkt
	29	56314983	1	Tee Assembly
	30	56386183	1	Barbed Elbow 90
	31	56384076	1	Hose-Pvc-.50x3.50
	32	56397217	1	Hose, Pvc Clear

Kit	Item	Ref. No.	Qty	Description
	33	56601733	1	Brush Plate Assy Rt
	33a	56366455	1	Plate, Stop
K2	33b		1	Wsh, Flt Std #10
K2	33c		2	Wsh, Flt .266 X .906 X .060
K2	33d		4	Scr, Pan Phil Plastite 10-14 X .38
	33e	56109653	2	Spring Retainer
	33f	56112521	1	Gimbal-Collar Assembly
	33g	56601056	1	Spring, Brush Holder
	33h	56601118	1	Brush Plate
K2	34		2	Scr, Pan Hd Thd Form
K2	35		2	Washer, Flat XI 5.5X15X1.2 Ss
K2	36		1	Key
	37	9095483000	1	Hose Holder
K2	38		1	Screw, Hex Thd To Hd M8x16 Loctite
K2	39		3	Screw, Hex Thd To Hd M8x30 Ss
K2	40		3	Nut, Hex Nyl Loc Thin M6 Ss
K2	41		2	Washer, Flat XI Ss
K2	42		1	Screw Cyl Hd M5x12

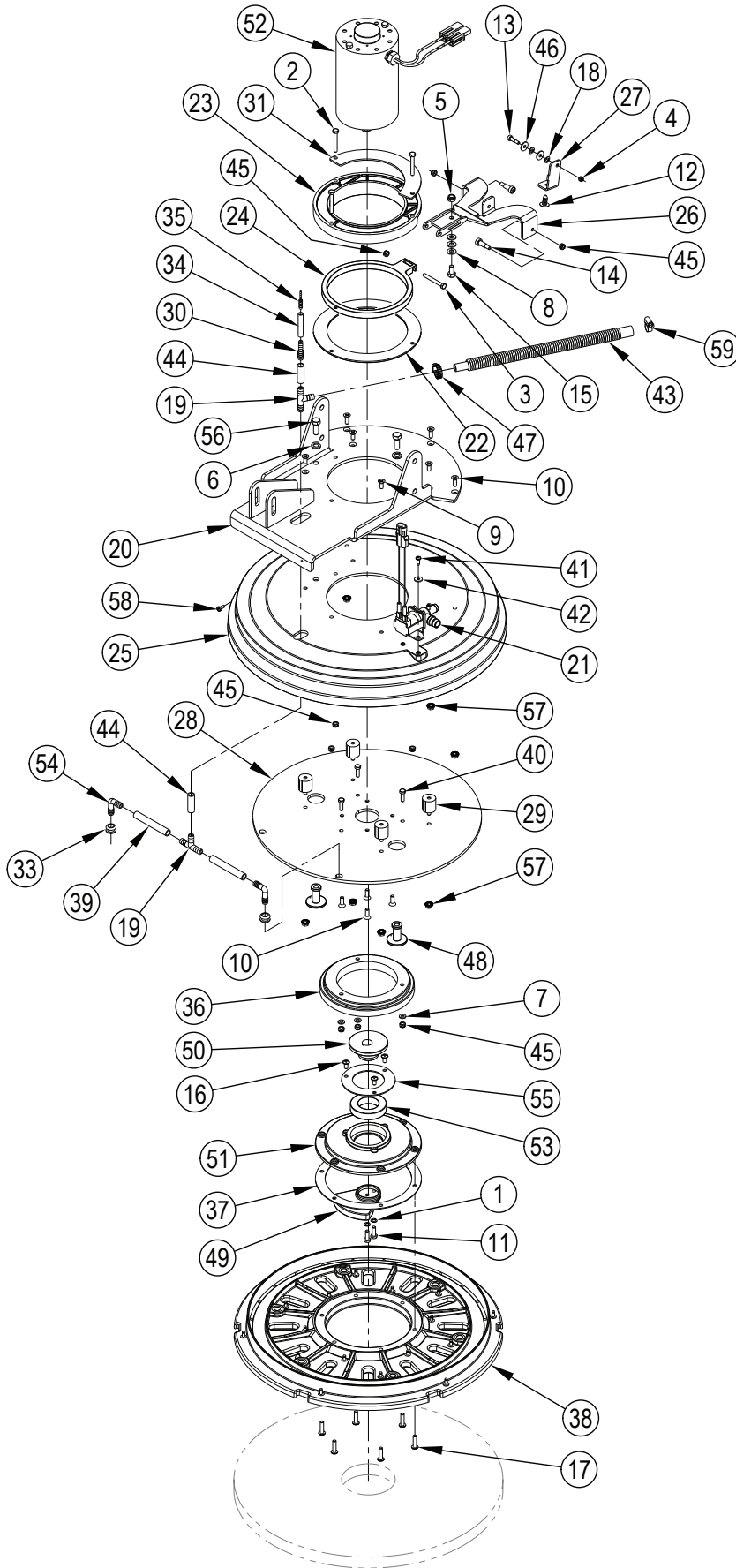
Kit	Item	Ref. No.	Qty	Description
	A	56104297	1	Motovario Gearbox 15/1
	B	56104298	1	Motor
	C	56104300	1	Brush Housing Assembly
	D	56601588	1	Cover And Screws
	E	56601508	1	Plastic Cover
	F	56601534	1	Carbon Brushes (2)

SERVICE KITS

K1	56104344	1	Squeegee Pivot Kit
K2	56104346	1	Disc Deck Hardware Kit



SCRUB SYSTEM-REV



SCRUB SYSTEM-REV

Kit	Item	Ref. No.	Qty	Description
K1	1		2	Helical Spring Lock Washer 1/4
K1,K2	2		3	Screw, Hex Thd To Hd M6x45
K1	3		1	Screw, Hex Thd To Hd M6x50
K1	4		1	Nut, Hex Nyl Loc Thin M5
K1	5		1	Nut, Hex Nyl Loc Thin M8
K1	6		2	Washer, Split Lock D.10
K1	7		3	Washer, Flat 6.4x12.5 S.S.
K1	8		3	Washer, Flat 8.4x16x1.6
K1,K3	9		4	Scr-Fit Phil 1/4-20 X .62
K1	10#		7	Scr-Fit Phil Loc SS 1/4-20 x .75
K1	11		2	Scr-Hex Hd Loc 1/4-20x.75
K1	12		1	Rivet, Nylon Tree Push-In (.25)
K1	13		1	Scr-Soc Shd M6x12mm X M5-0.8
K1	14		2	Scr-Soc Shd M8x16mm X M6-1.00
K1	15		1	Scr-Hex Plastic M8-1.25 X 16mm
K1	16		3	Scr-Pan Phil Loc Ss 1/4-20 X .50
K1	17		6	Scr-Pan Phil Loc Ss 1/4-20 X 1.00
K1	18		2	Wsh, Bowed .266x.500x.060
K4	19		2	Tee, Hose
	20	56104138	1	Rev Lift Plate Weldment
	21	56104169	1	Solenoid Valve Assy (L1)
K2	22		1	Washer Squeegee
K2	23		1	Bushing Squeegee
	24	56104201	1	Plate Pivot
	25	56104202	1	Housing Rev
	26	56104203	1	Squeegee Link Weldment
	27	56104241	1	Double Scrub Brkt
	28	56104244	1	Plate Motor
K3	29		4	Isolator-40 Duro 1/4-20
K4	30		1	Reducer Barb
K2	31		1	Brkt-Squeegee Bushing
	[32]	56114200	1	Connector-Adaptor

Kit	Item	Ref. No.	Qty	Description
K4	33		2	Grommet
K4	34		1	Hose,Chem Resistant, 2"
K4	35		1	Reducer,Barb
	36	56390011	1	Shield Splash
	37	56390038	1	Gasket Driver
	38	56390044	1	Pad Driver Assy
K4	39		2	Clear Vinyl Hose
K1	40		3	Screw, Hex Thd To Hd M6x20 Ss
K1	41		2	Scr. Pan Hd Thd Form
K1	42		2	Washer, Flat XI 5.5x15x1.2 Ss
K4	43		1	Hose Solution Flex
K4	44		2	Hose Clear Vinyl 3/8 Id X 11/2
K1,K2	45		9	Nut, Hex Nyl Loc Thin M6 Ss
K1	46		2	Washer, Flat XI Ss
K4	47		1	Clamp, Hose
	48	56381532	2	Stud Stabilizer Short
	49	56390002	1	Weight Counter
	50	56390021	1	Eccentric
	51	56390027	1	Driver Motor
	52	56390072	1	Motor 24vdc (M5)
	[]	56412287	1	Carbon Brush Set Of 2 (for 56390072)
	53	50736A	1	Bearing
K4	54		2	Hosebarb, 90 Degree
	55	61775A	1	Retainer, Bearing
K1	56		2	Screw 3/8-24 X 1 Hex Head
K1,K3	57		7	Nut, Serrated Flange
K1	58		1	Screw Cyl Hd M5x12
K4	59		1	Pipe Clamp--M10xm16

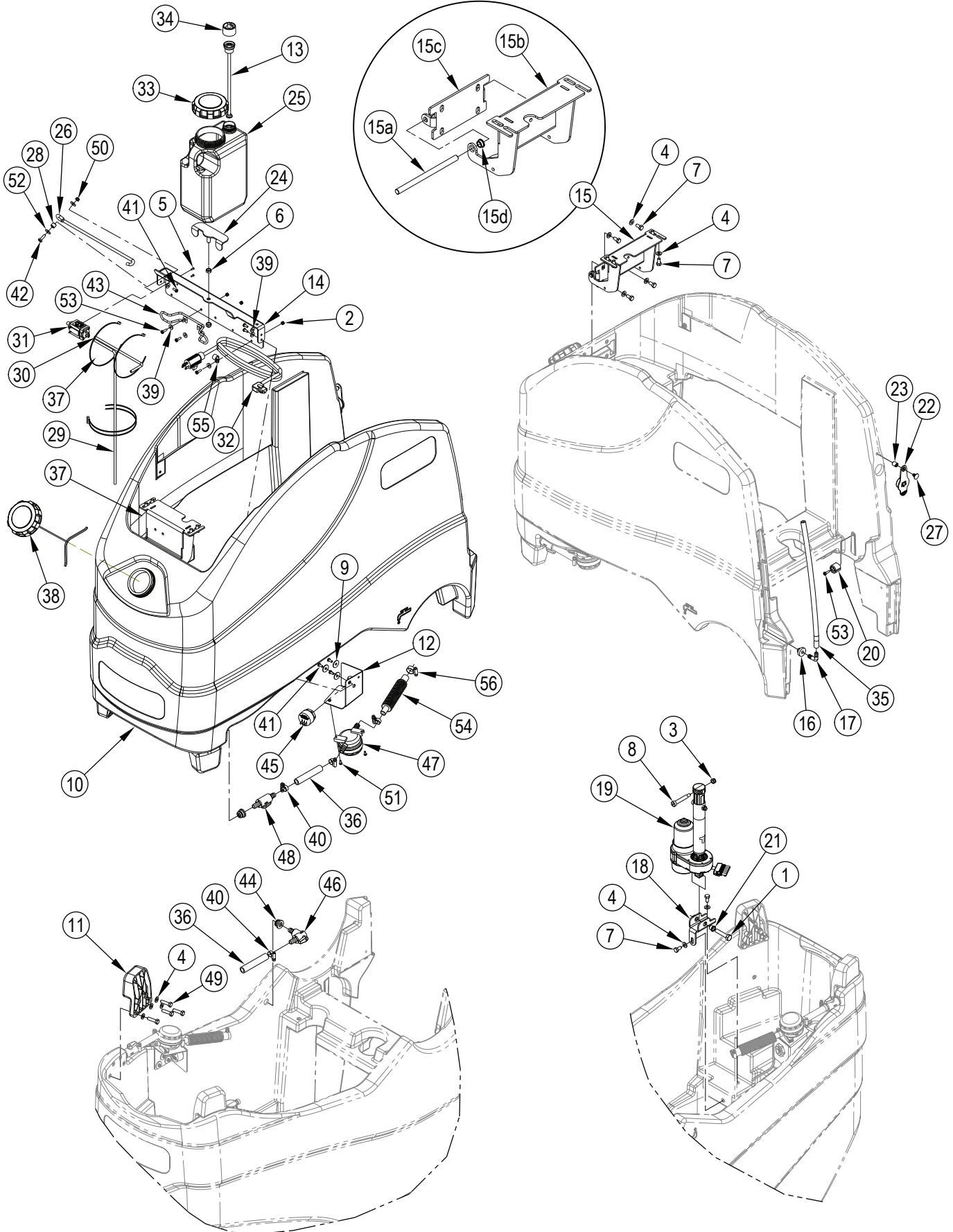
SERVICE KITS

K1	56104367	1	REV Deck Hardware Kit
K2	56104368	1	Squeegee Pivot Rev Kit
K3	56104369	1	Isolator Kit
K4	56104370	1	Solution Hose REV Kit

[] = Not Shown

= Revised or new since last update

SOLUTION SYSTEM

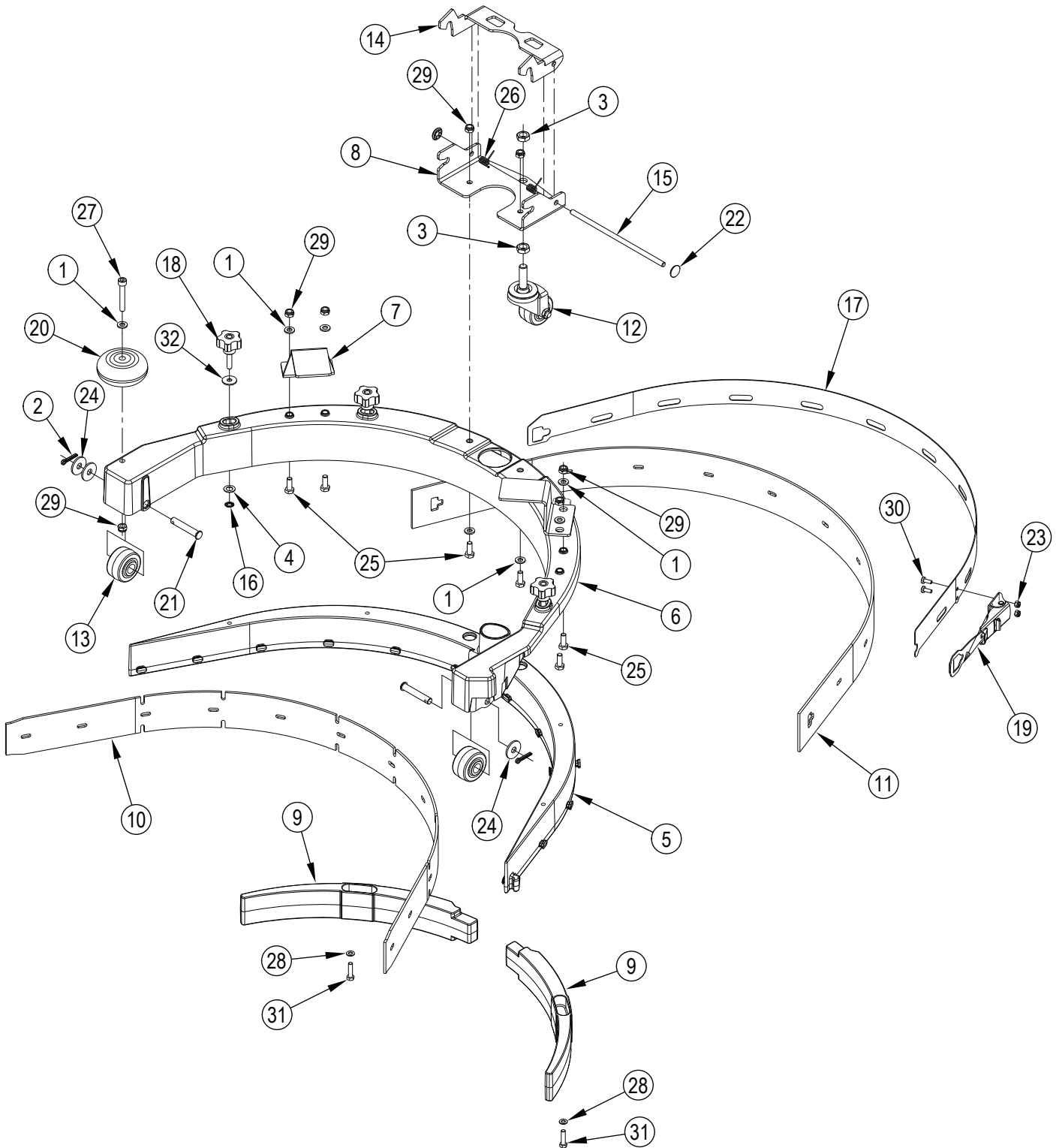


SOLUTION SYSTEM

Kit	Item	Ref. No.	Qty	Description	Kit	Item	Ref. No.	Qty	Description
K5,K7	1		1	Screw, Hex Thd To Hd M10 x 50		31	56315241	1	Pump, Chemical (M2)
K7	2		3	Nut, Hex Nyl Loc Thin M5		32	56383866	1	Cord-AC NEMA IEC320 - Delta-Q
K5,K7	3		1	Nut, Hex Nyl Loc Thin M8		33	56315517	1	Cap, Raw
K6,K7	4		18	Washer, Flat 8.4x16x1.6		34	56315523	1	Cap, Dry Break, 1/8 Barb
K7	5		2	Scr, Pan Phil Thd Form 6-32 X .31		35	56393382	1	Hose-PVC Clear
K7	6		2	Nut, Hex Nyl Loc-Thin SS 3/8-16	K1,K2	36		2	Hose, Spiral .500
K7	7		10	Scr-Hex M8-1.25 X 16mm		37	L08812587	4	Clamp 4.8 X 30 White
K5,K7	8		1	Scr-Soc Shd M10 x 50mm X M8-1.25		38	56601599	1	Cap - Raw With Tether
K7	9		3	Wsh, Flt .266 X .906 X .060	K7	39		6	Washer, Flat XI 5.5x15x1.2 SS
	10	56104050	1	Solution Tank	K1,K2	40		4	Clamp, Hose 8/9-16clamp, Hose B32hs
K6	11		2	Tip Pad	K7	41		6	Scr, Pan Phil M5x12 SS
	12	56104165	1	Filter Bracket	K7	42		1	Screw
	13	56104189	1	Insert-Dry Break		43	9095149000	1	Cable Support
	14	56104445	1	Bracket-Tank Support	K1,K2	44		2	Gasket
	15		1	Hinge Assembly		45	9096126000	1	Buzzer 5-32v (H1)
	15a	56104206	1	Hinge Pin	K1	46		1	Ball Valve 90°
	15b	56104207	1	Hinge Weldment	K3	47		1	Filter, Water TSB-FC-2013-127
	15c	56104208	1	Hinge Bracket	K2	48		1	Ball Valve
	15d	56104249	2	Bearing Flange	K6,K7	49		8	Screw, Hex Thd To Hd M8x30 SS
	16	56104229	1	Grommet	K7	50		1	Nut, Hex Nyl Loc Thin M6 SS
	17	51526A	1	Hosebarb 3/8 X 90 Deg	K3,K7	51		2	Scr, Pan Phil M4x10 SS
	18	56104234	1	Actuator Brkt	K7	52		2	Washer, Flat XI SS
K5	19		1	Actuator Assembly (M3)	K7	53		5	Scr, Pan Phil M5x16 SS
	20	56104308	2	Pivot Block	K2	54		1	Hose, Solution
K5	21		1	Spacer Actuator		55	L08603845	1	Clamp Cable
K4	22		1	Rubber Solution Cap	K2	56#	9100000511	1	Clamps F Solution System Kit
	23	56104390	1	Insert-Brass M8					SERVICE KITS
	24	56104391	1	Adjustment Pad	K1	56104349		1	Solution Drain Kit
	25	56104408	1	Chemical Bottle Assembly	K2	56104350		1	Solution Hose Kit
	26	56104409	1	Prop Rod	K3	56104351		1	Solution Filter Kit
K4	27		1	Clip, Panel	K4	56104354		1	Solution Cap Kit
K7	28		1	Bushing	K5	56104356		1	Actuator Kit
	29	56314942	1	Hose, Chem Resistant	K6	56104357		1	Tip Pad Kit
	30	56314991	1	Hose, Chem Resistant 14"	K7	56104358		1	Solution Hardware Kit

= Revised or new since last update

SQUEEGEE SYSTEM



SQUEEGEE SYSTEM

Kit	Item	Ref. No.	Qty	Description
K3,K4,K6	1		7	Washer, Flat 6.4X12.5 S.S.
K4,K6	2		2	Pin-Cotter 1/8 X .75
K4,K6	3		2	Nut-Hex Jam Ss 3/8-16
K4,K5	4		4	Wsh-Flt .328 X .563 X .031
K4	5		1	Squeegee Casting NOTE 2
K4	6		1	Squeegee Cover
K4	7		2	Squeegee Lift Bracket
K4,K8	8		1	Squeegee Bracket
K4	9		2	Squeegee Plate
K1,K4	10		1	Blade-Squeegee Pu Front NOTE 1
K2	*		1	Blade-Squeegee Red Gum Front NOTE 1
K1,K4	11		1	Blade-Squeegee Pu Rear NOTE 1
K2	*		1	Blade-Squeegee Red Gum Rear NOTE 1
K4,K6	12#		1	Caster Wheel TSB-FC-2015-024
K4,K6	13		2	Roller Wheel
K4,K8	14		1	Squeegee Mount Brkt
K4,K8	15		1	Pivot Pin
K4,K5	16		4	Retaining Ring
K4,K7	17		1	Strap-Squeegee Rear
K4,K5	18		4	Knob
K4,K7	19		1	Latch-T Tab Assy
K4,K6	20		1	Roller Wheel
K4,K6	21		2	Pin-Clevis .312 X 1.84
K4,K8	22		2	Pin Cover-6mm
K4,K7	23		2	Nut, Hex Nyl Loc Thin M4 Ss
K4,K6	24		3	Washer 8x24x2 Uni 6593 Ss
K3,K4	25		6	Screw, Hex Thd To Hd M6x16 Ss
K4,K8	26		2	Spring Acc. Lid Lh
K4,K6	27		1	Viti Tcei/Scr. Soc Hd
K3,K4	28		2	Washer, Flat 5.3X10X1 Ss
K3,K4,K6	29		7	Nut, Hex Nyl Loc Thin M6 Ss
K4,K7	30		2	Scr. Pan Phil M4x10 Ss
K3,K4	31		2	Screw, Hex Thd To Hd M5x20 SS
K4,K5	32	L08603689	4	Flat Washer M6 X 18 SS

SERVICE KITS

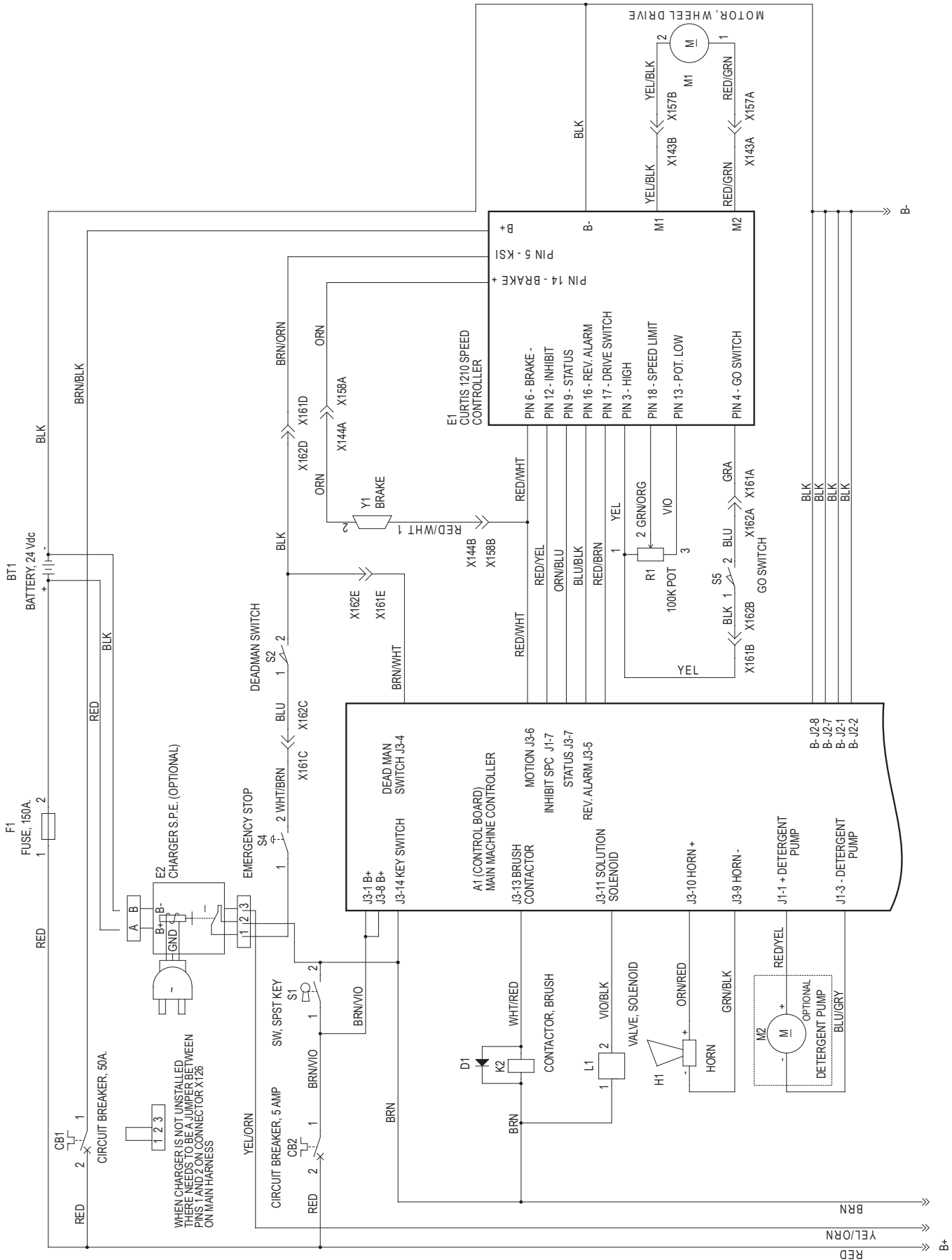
K1	56104325	1	PU Squeegee Blade Kit
K2	56104326	1	Red Gum Squeegee Blade Kit
K3	56104327	1	Squeegee Hardware Kit
K4	56104378	1	Squeegee Assy Kit
K5	56104429	1	Squeegee Knobs Kit
K6	56104385	1	Squeegee Wheels Kit
K7	56104386	1	Squeegee Strap Kit
K8	56104387	1	Squeegee Mount Brkt Kit

* = Optional, Not Included

= Revised or new since last update

NOTE 1: All squeegee blade kits include both front and rear squeegee blades.**NOTE 2:** The squeegee casting is not available for sale separately. If you need to replace it please order the Squeegee Assy Kit 56104378.

LADDER DIAGRAM-1 BEFORE JULY 2014



LADDER DIAGRAM-1 BEFORE JULY 2014

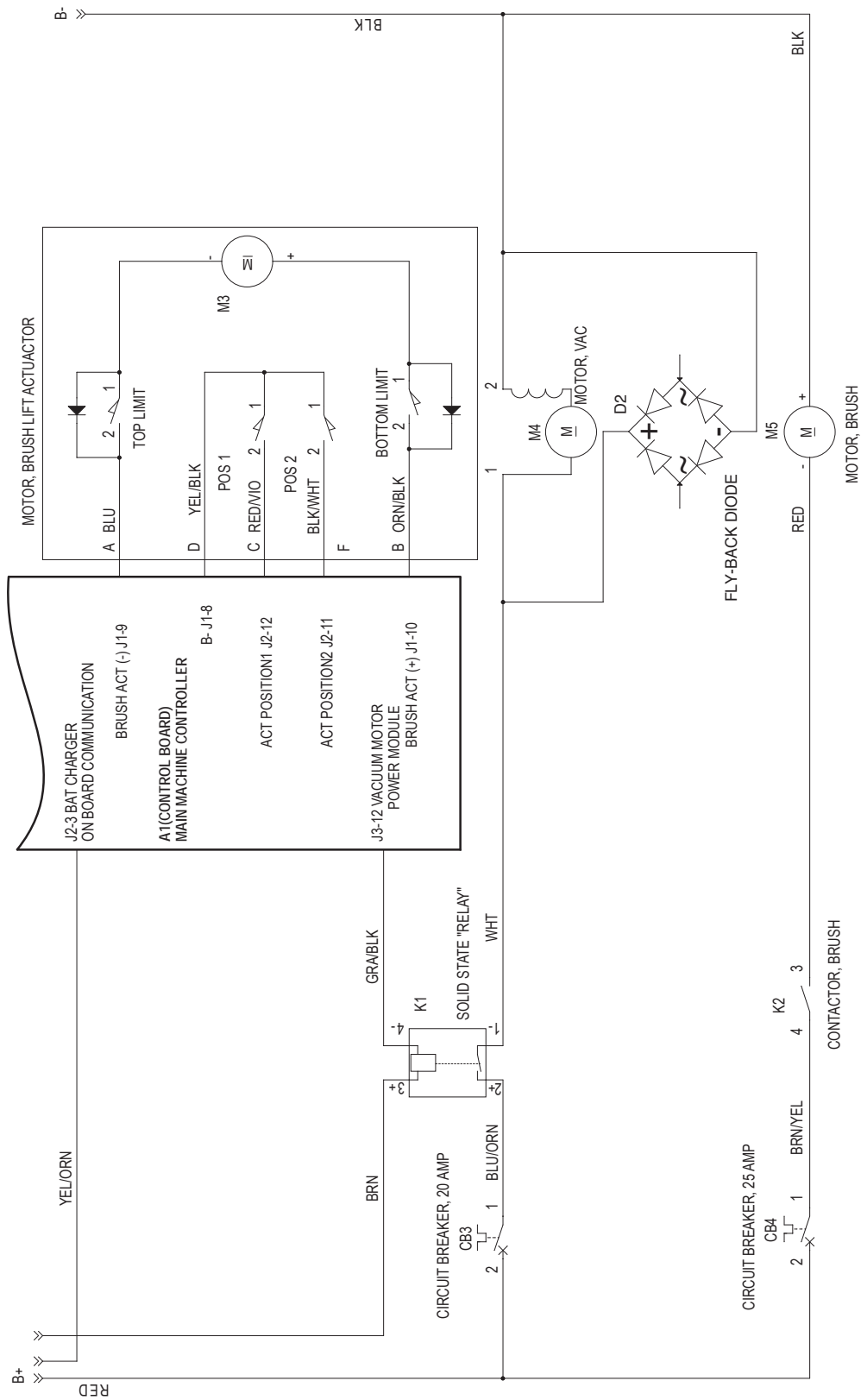
Item	Ref. No.	Qty	Description
A1			Control Board
BT1			Battery
CB1	56104423	1	Circuit Breaker 50A (Drive Wheel)
CB2	56315255	1	Circuit Breaker 5 Amp (Control Circuit)
CB3	56413822	1	Circuit Breaker 20 Amp (Vacuum Motor)
CB4	56509623	1	Circuit Breaker-25 Amp (Brush Motor)
D1	56389265	1	Rectifier Assy.
D2	56265103	1	Rectifier 35 Amp
E1	56104243	1	Speed Controller
E2	56383856	1	Battery Charger 24v 25a
F1	56412089	1	Fuse 150 Amp
H1	909 6126 000	1	Buzzer 5-32v
K1	56104176	1	Solid State Relay
K2	56601183	1	Contactora 24v 100 Amp
L1#	56104169	1	Solenoid Valve Assembly
M1		1	Drive Wheel Motor
M2	56315241	1	Pump Chemical
M3	56104356	1	Actuator Kit (Motor Brush Lift Actuator)
M4	9097556000	1	Motor Vacuum 3st 24v 420w
M5	56104071	1	Disc Brush Motor (20D)
R1		1	Potentiometer 100k (Speed Adjustment / part of Main harness)
S1	1462888000	1	Switch Key with Cap
*	1462887000	1	Key 2 PCS
S2		1	Switch-Sealed (part of Switch Harness 56104406)
S4	56104247	1	Disconnect-Emergency
S5		1	Switch-Sealed (part of Switch Harness 56104406)
Y1			Electrical Brake (part of Drive Wheel Motor M1)

* = Optional, Not Included

= Revised or new since last update

NOTE 1 = The onboard battery charger 56112544 has been replaced in production by 56383856. If you need to replace 56112544 please order Onboard Charger Kit 56383872.

LADDER DIAGRAM-2 BEFORE JULY 2014



LADDER DIAGRAM-2 BEFORE JULY 2014

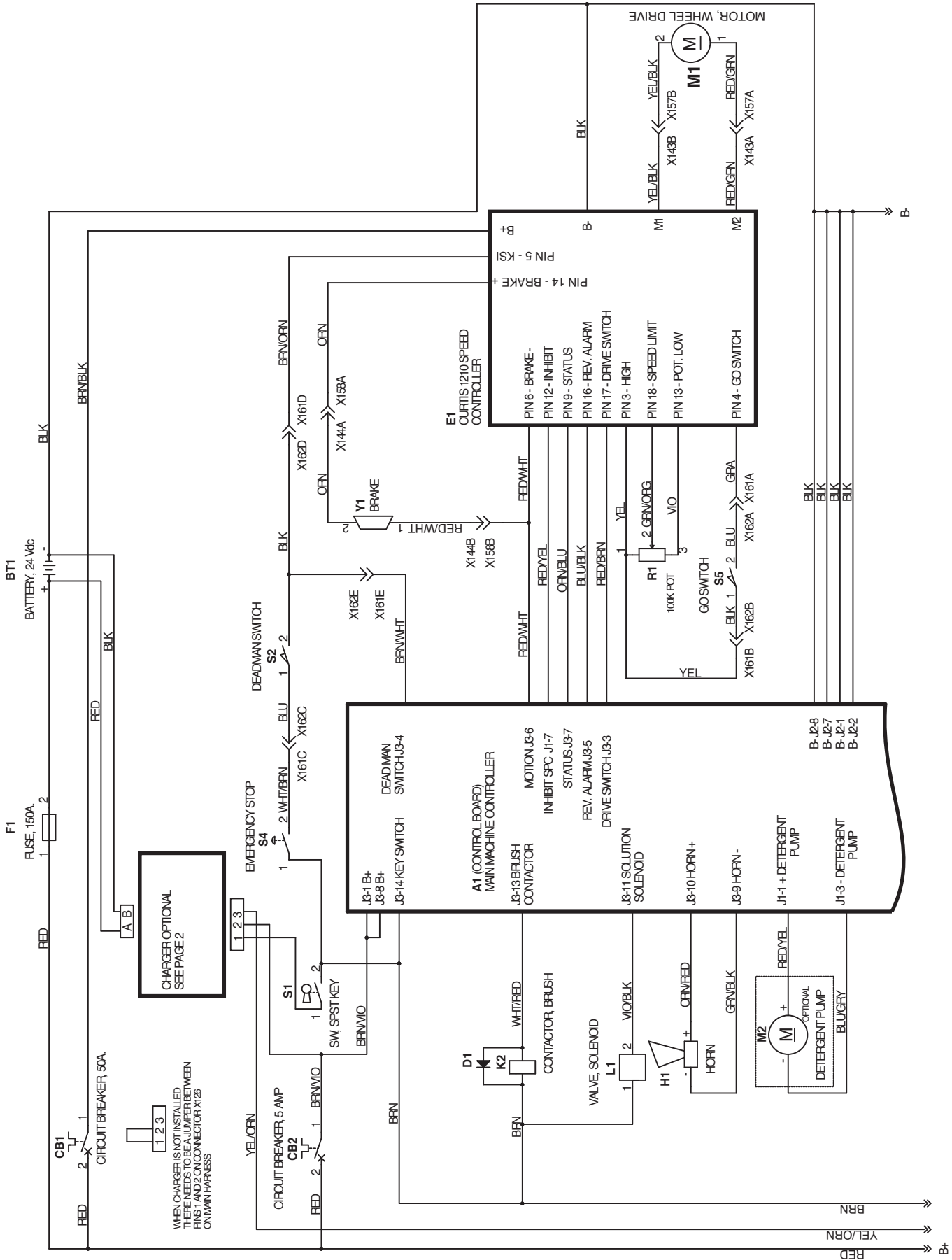
Item	Ref. No.	Qty	Description
A1			Control Board
BT1			Battery
CB1	56104423	1	Circuit Breaker 50A (Drive Wheel)
CB2	56315255	1	Circuit Breaker 5 Amp (Control Circuit)
CB3	56413822	1	Circuit Breaker 20 Amp (Vacuum Motor)
CB4	56509623	1	Circuit Breaker-25 Amp (Brush Motor)
D1	56389265	1	Rectifier Assy.
D2	56265103	1	Rectifier 35 Amp
E1	56104243	1	Speed Controller
E2	56383856	1	Battery Charger 24v 25a
F1	56412089	1	Fuse 150 Amp
H1	9096126000	1	Buzzer 5-32v
K1	56104176	1	Solid State Relay
K2	56601183	1	Contactora 24v 100 Amp
L1#	56104169	1	Solenoid Valve Assembly
M1	56104074	1	Drive Wheel Motor
M2	56315241	1	Pump Chemical
M3	56104356	1	Actuator Kit (Motor Brush Lift Actuator)
M4	9097556000	1	Motor Vacuum 3st 24v 420w
M5	56104071	1	Disc Brush Motor (20D)
R1		1	Potentiometer 100k (Speed Adjustment / part of Main harness)
S1	1462888000	1	Switch Key with Cap
*	1462887000	1	Key 2 PCS
S2		1	Switch-Sealed (part of Switch Harness 56104406)
S4	56104247	1	Disconnect-Emergency
S5		1	Switch-Sealed (part of Switch Harness 56104406)
Y1			Electrical Brake (part of Drive Wheel Motor M1)

* = Optional, Not Included

= Revised or new since last update

NOTE 1 = The onboard battery charger 56112544 has been replaced in production by 56383856. If you need to replace 56112544 please order Onboard Charger Kit 56383872.

LADDER DIAGRAM-1 AFTER JUNE 2014



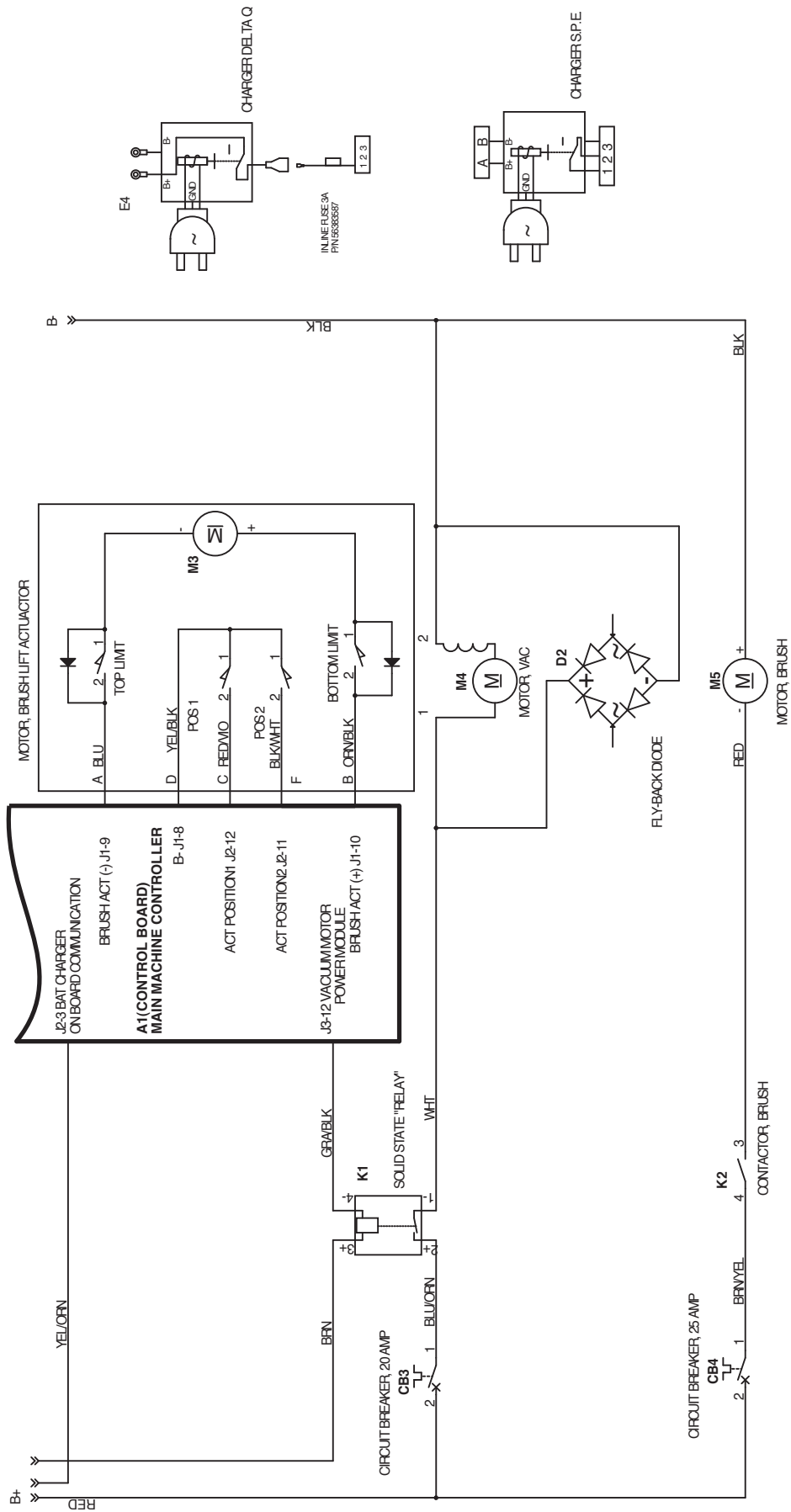
LADDER DIAGRAM-1 AFTER JUNE 2014

Item	Ref. No.	Qty	Description
A1			Control Board
BT1			Battery
CB1	56104423	1	Circuit Breaker 50A (Drive Wheel)
CB2	56315255	1	Circuit Breaker 5 Amp (Control Circuit)
CB3	56413822	1	Circuit Breaker 20 Amp (Vacuum Motor)
CB4	56509623	1	Circuit Breaker-25 Amp (Brush Motor)
D1	56389265	1	Rectifier Assy.
D2	56265103	1	Rectifier 35 Amp
E1	56104243	1	Speed Controller
E2	56383856	1	Battery Charger 24v 25a
F1	56412089	1	Fuse 150 Amp
H1	9096126000	1	Buzzer 5-32v
K1	56104176	1	Solid State Relay
K2	56601183	1	Contactora 24v 100 Amp
L1#	56104169	1	Solenoid Valve Assembly
M1		1	Drive Wheel Motor
M2	56315241	1	Pump Chemical
M3	56104356	1	Actuator Kit (Motor Brush Lift Actuator)
M4	9097556000	1	Motor Vacuum 3st 24v 420w
M5	56104071	1	Disc Brush Motor (20D)
R1		1	Potentiometer 100k (Speed Adjustment / part of Main harness)
S1	1462888000	1	Switch Key with Cap
*	1462887000	1	Key 2 PCS
S2		1	Switch-Sealed (part of Switch Harness 56104406)
S4	56104247	1	Disconnect-Emergency
S5		1	Switch-Sealed (part of Switch Harness 56104406)
Y1			Electrical Brake (part of Drive Wheel Motor M1)

* = Optional, Not Included

= Revised or new since last update

LADDER DIAGRAM-2 AFTER JUNE 2014



LADDER DIAGRAM-2 AFTER JUNE 2014

Item	Ref. No.	Qty	Description
A1			Control Board
BT1			Battery
CB1	56104423	1	Circuit Breaker 50A (Drive Wheel)
CB2	56315255	1	Circuit Breaker 5 Amp (Control Circuit)
CB3	56413822	1	Circuit Breaker 20 Amp (Vacuum Motor)
CB4	56509623	1	Circuit Breaker-25 Amp (Brush Motor)
D1	56389265	1	Rectifier Assy.
D2	56265103	1	Rectifier 35 Amp
E1	56104243	1	Speed Controller
E2	56383856	1	Battery Charger 24v 25a
F1	56412089	1	Fuse 150 Amp
H1	9096126000	1	Buzzer 5-32v
K1	56104176	1	Solid State Relay
K2	56601183	1	Contactora 24v 100 Amp
L1#	56104169	1	Solenoid Valve Assembly
M1	56104074	1	Drive Wheel Motor
M2	56315241	1	Pump Chemical
M3	56104356	1	Actuator Kit (Motor Brush Lift Actuator)
M4	9097556000	1	Motor Vacuum 3st 24v 420w
M5	56104071	1	Disc Brush Motor (20D)
R1		1	Potentiometer 100k (Speed Adjustment / part of Main harness)
S1	1462888000	1	Switch Key with Cap
*	1462887000	1	Key 2 PCS
S2		1	Switch-Sealed (part of Switch Harness 56104406)
S4	56104247	1	Disconnect-Emergency
S5		1	Switch-Sealed (part of Switch Harness 56104406)
Y1			Electrical Brake (part of Drive Wheel Motor M1)

* = Optional, Not Included

= Revised or new since last update

OPTIONAL KITS AND ACCESSORIES

Item	Ref. No.	Qty	Description
Kits			
*	56104374	1	Shelf Charger US Kit
*	56104437	1	Shelf Charger Adapter Kit
*	56104371	1	Control Board Kit
*	56104372	1	Interface Panel Kit
Squeegee Blade Kits (See Squeegee Blade Selector Guide)			
	56104325	1	PU Squeegee Blade Kit NOTE 1
*	56104326	1	Red Gum Squeegee Blade Kit NOTE 1
Accessories			
*	56397453	1	Indicator Battery Level
*	56383571	1	Programmer-User
*	56383572	1	Programmer Cable-Molex
*	56104190	1	Ecoflex Bottle Assy
*	56044628	1	Literature Pack (Used on machines built before July 2014)
*	56044680	1	Literature Pack (Used only on machines built after June 2014)
20" Disk Scrub Brushes (See Brush Selector Guide)			
*	56505790	1	Pad Holder-20 3 Lug
*	56505791	1	Disc Brush-20 Magnagrit 3 Lug
*	56505792	1	Disc Brush-20 Dyna Grit 3 Lug
*	56505793	1	Disc Brush-20 Aglite 3 Lug
*	56505794	1	Disc Brush-20 Prolene 3 Lug
*	56505795	1	Disc Brush-20 Prolite 3 Lug
*	56505796	1	Disc Brush-20 Union Mix 3 Lug
*	56505797	1	Disc Brush-20 Midgrit 3 Lug
*	56505798	1	Disc Brush-20 Midlite 3 Lug
*	976170	1	Pads Cs 20 Black Thin (Qty 5)
*	976070	1	Pads Cs 20 Brown 51 (Qty 5)
*	976069	1	Pads Cs 20 Blue 51 (Qty 5)
REV Pads (See Pad Selector Guide)			
*	56390045	1	Velcro 2 Sided 20
*#	56390046	1	Pad-Maroon-20-10/CS (Qty 10 per case) (Americo)
*#	56384451	1	Pad-Maroon-20-10/CS (Qty 10 per case) (3M)
*	56390079	1	Pad Micro Fiber
*	976068	1	Pad 20-In Red 5100 (Qty 5)
*	976067	1	Pads Cs 20 White 51 (Qty 5)

* = Optional, Not Included

= Revised or new since last update

NOTE 1: All squeegee blade kits include both front and rear squeegee blades.

RECOMMENDED SPARE PARTS

Item	Ref. No.	Qty	Description	Item	Ref. No.	Qty	Description
CHASSIS SYSTEM				ELECTRICAL SYSTEM CONTINUED			
Ordinary Maintenance				Extra-Ordinary Maintenance			
O	56104239		Harness-Drive Motor	E	2-00-05173		Battery Insulator
O	56104269		Sprocket-11 Tooth	E	56104282		Cable-Power Red
O	56104407		Bearing-Flange	E	56104283		Cable-Power Black
O	56104331		Rear Wheel Kit	E	56372673		Boot-Battery Post
O	56104338		Wheel And Bearing Kit	E	56478246		Tie, Cable
O	56104435		Sprocket And Chain Kit (used w/56104431)	E#	41217A		Cable Battery Kit 14662B TSB-FC-2015-018
O	56104339		Sprocket And Chain Kit (used w/56104058)	E	56104341		Electrical Hardware Kit
Extra-Ordinary Maintenance				E	56104371		Control Board Kit
E	56104091		Mounting Tab	E	56104372		Interface Panel Kit
E	56104094		Bar Linkage	PLATFORM ASSEMBLY			
E	56104105		Battery Tray	Ordinary Maintenance			
E	56104130		Steering Shaft	O	56104406		Switch Harness
E	56104135		Link Bar	Extra-Ordinary Maintenance			
E	56104148		Steering Shaft Weldt	E	56104052		Platform-Upper
E	56104151		Spindle Mount Weldment	E	56104185		Pedal-Safety
E	56104157		Collar	E	56104186		Foot Pedal
E	56104448		Chassis Weldment	E	56104187		Platform-Bottom
E	56314032		Block, Bearing	E	56104277		Compression Spring
E	56112544		Battery Charger 24v 25a	E	56158690		Grommet
E	56104328		Universal Joint Kit	E	56331006		Grommet
E	56104332		Bearing Block Kit	E	56104417		Platform Hardware Kit
E	56104333		Chassis Hardware Kit	RECOVERY SYSTEM			
E	56104336		Drive Wheel Motor Kit	Ordinary Maintenance			
E	56104340		Drive Wheel Hardware Kit	O	56104164		Gasket-Recovery Tank
E	56104384		Front Wheel Bearings Kit	O	56104258		Vac Hose Assy
CONTROL SYSTEM				O	56104285		Drain Hose
Normal Wear				O	9096672000		Filter
W	56104270		Chain-Roller	Extra-Ordinary Maintenance			
Extra-Ordinary Maintenance				E	56104051		Recovery Tank
E	56104053		Control Panel	E	56104158		Back Panel
E	56104196		Shaft Steering	E	56104306		Jumper Harness
E	56104265		Shaft Hex	E	56104443		Guard-Splash-4X12-Poly
E	56104410		Bracket-Prop Rod	E	1450543000		Clamp, Hose 14/32-52
E	56601060		Steering Wheel	E	9096051000		Cover, Vac
E	56104058		Drive Wheel Frame Weldt	E	56104352		Draw Latch Kit
E	56104077		Spindle Weldt	E	56104359		Float Cage Kit
E	56104115		Steering Plate	E	56104360		Debris Cage Kit
E	56104328		Universal Joint Kit	E	56104362		Hose Clamp Kit
E	56104352		Draw Latch Kit	E	56104363		Vacuum Motor Kit
E	56104365		Control Hardware Kit	E	56104364		Recovery Hardware Kit
ELECTRICAL SYSTEM				E	56104383		Vacuum Motor Insulation Kit
Extra-Ordinary Maintenance				SCRUB SYSTEM-20D			
E	56104423		Circuit Breaker 50 Amp	Ordinary Maintenance			
E	56104444		Harness-Main	O	9095483000		Hose Holder
E	56104176		Solid State Relay	O	56601534		Carbon Brushes (2)
E	56104193		Electrical Panel	Extra-Ordinary Maintenance			
E	56104243		Speed Controller	E	56104071		Disc Brush Motor
E	56104247		Disconnect-Emergency	E	56104095		Shaft Disc Brush Motor
E	56104281		Cable-Power	E	56104117		Deck Lift Plate Weldment
E	56112354		Handle	E	56104120		Lower Deck Plate
E	56315255		Circuit Breaker, 5 Amp	E	56104121		Brush Housing
E	56409485		Cable, Battery	E	56104126		Squeegee Link Weldment
E	56412089		Fuse, 150 Amp	E	56104137		Spacer Motor
E	56413822		Circuit Breaker, 20 Amp	E	56104169		Solenoid Valve Assy
E	56469858		Electrical Mount	E	56104240		Skirt Brush
E	56509623		Circuit Breaker-25 Amp	E	56104241		Double Scrub Brkt
E	56601172		Connector Assy	E	56314983		Tee Assembly
E	56601183		Contacto 24v, 100 Amp	E	56386183		Barbed Elbow 90
E	1462888000		Switch, Key With Water Proof Cup	E	56384076		Hose-Pvc-.50x3.50
E	1462887000		Key 2 PCS	E	56397217		Hose, Pvc Clear
E	L08812063		Terminal Clamp Batt	E	56601733		Brush Plate Assy Rt
E	L08812064		Terminal Clamp Batt	E	56366455		Plate, Stop
E	50962A		Knob, Speed Control	E	56109653		Spring Retainer
E	2-00-05171		Boot, Protective (Red)	E	56112521		Gimbal-Collar Assembly
				E	56601056		Spring, Brush Holder
				E	56601118		Brush Plate

= Revised or new since last update

RECOMMENDED SPARE PARTS CONTINUED

Item	Ref. No.	Qty	Description	Item	Ref. No.	Qty	Description
			SCRUB SYSTEM-20D CONTINUED				SQUEEGEE SYSTEM
E	56104297		Motovario Gearbox 15/1				Normal Wear
E	56104298		Motor	W	56104325		PU Squeegee Blade Kit
E	56104300		Brush Housing Assembly	W	56104326		Red Gum Squeegee Blade Kit
E	56601588		Cover And Screws	W	56104385		Squeegee Wheels Kit
E	56601508		Plastic Cover				Extra-Ordinary Maintenance
E	56104344		Squeegee Pivot Kit	E	56104327		Squeegee Hardware Kit
E	56104346		Disc Deck Hardware Kit	E	56104378		Squeegee Assy Kit
E	56104347		Disc Deck Assy 20 Kit	E	56104429		Squeegee Knobs Kit
			SCRUB SYSTEM-REV	E	56104386		Squeegee Strap Kit
			Ordinary Maintenance	E	56104387		Squeegee Mount Brkt Kit
O	56412287		Carbon Brush Set Of 2 (For 56390072)				DECAL SYSTEM
			Extra-Ordinary Maintenance				Extra-Ordinary Maintenance
E	56104138		Rev Lift Plate Weldment	E	56104334		SC1500 Decal Kit
E	56104169		Solenoid Valve Assy	E	56104348		SC1500 REV Decal Kit
E	56104201		Plate Pivot				ACCESSORY / OPTIONS
E	56104202		Housing Rev				Extra-Ordinary Maintenance
E	56104203		Squeegee Link Weldment	E	56104374		Shelf Charger US Kit
E	56104241		Double Scrub Brkt				
E	56104244		Plate Motor				
E	56114200		Connector-Adaptor				
E	56390011		Shield Splash				
E	56390038		Gasket Driver				
E	56390044		Pad Driver Assy				
E	56381532		Stud Stabilizer Short				
E	56390002		Weight Counter				
E	56390021		Eccentric				
E	56390027		Driver Motor				
E	56390072		Motor 24vdc				
E	50736A		Bearing				
E	61775A		Retainer, Bearing				
E	56104366		REV Deck Assy Kit				
E	56104367		REV Deck Hardware Kit				
E	56104368		Squeegee Pivot Rev Kit				
E	56104369		Isolator Kit				
E	56104370		Solution Hose REV Kit				
			SOLUTION SYSTEM				
			Extra-Ordinary Maintenance				
E	56104050		Solution Tank				
E	56104165		Filter Bracket				
E	56104194		Support Brkt				
E	56104206		Hinge Pin				
E	56104207		Hinge Weldment				
E	56104208		Hinge Bracket				
E	56104249		Bearing Flange				
E	56104229		Grommet				
E	51526A		Hosebarb 3/8 X 90 Deg				
E	56104234		Actuator Brkt				
E	56104308		Pivot Block				
E	56104390		Insert-Brass M8				
E	56104391		Adjustment Pad				
E	56104409		Prop Rod				
E	56393382		Hose-Pvc Clear				
E	56477613		Tie, Cable				
E	56601599		Cap - Raw With Tether				
E	9096126000		Buzzer 5-32v				
E	56104189		Insert-Dry Break				
E	56104408		Chemical Bottle Assembly				
E	56314942		Hose, Chem Resistant				
E	56314991		Hose, Chem Resistant 14"				
E	56315241		Pump, Chemical				
E	56383385		Cord Charger Yellow US				
E	56315517		Cap, Raw				
E	56315523		Cap, Dry Break, 1/8 Barb, 90				
E	9095149000		Cable Support				
E	56104349		Solution Drain Kit				
E	56104350		Solution Hose Kit				
E	56104351		Solution Filter Kit				
E	56104354		Solution Cap Kit				
E	56104356		Actuator Kit				
E	56104357		Tip Pad Kit				
E	56104358		Solution Hardware Kit				

BRUSH SELECTOR GUIDE

We provide brushes and pad holders that will give you the best possible performance between machine and floor. Following are descriptions of the materials and their applications.

- Soft Nylon:** Bristles are made from light-duty polypropylene for general scrubbing when you do not want to scratch or remove finish from the floor. Recommended for use in place of red pads.
- Poly:** Polypropylene material for medium-duty scrubbing on concrete, terrazzo and vinyl floor tile. Recommended for use in place of green or blue pads.
- Lite Grit:** For light scrubbing when used wet; buffing or polishing when used dry on urethane coated, sealed concrete or other resilient hard surface floors. Recommended for use in place of red or white pads.
- Medium Grit:** For general purpose scrubbing of sealed or unsealed concrete, stone, terrazzo, quarry tile and other resilient hard floor surfaces. Recommended for use in place of green or blue pads.
- Heavy Grit:** For aggressive, heavy-duty scrubbing or stripping of floors. Recommended for use in place of brown pads.

20" Disk Scrub Brushes

- 56505790 - Pad Holder
- 56505791 - Magnagrit
- 56505792 - Dyna Grit
- 56505793 - Aglite
- 56505794 - Prolene
- 56505795 - Prolite
- 56505796 - Union Mix
- 56505797 - Midgrit
- 56505798 - Midlite
- 976170 - Pads Cs 20 Black Thin (Qty 5)
- 976070 - Pads Cs 20 Brown 51 (Qty 5)
- 976069 - Pads Cs 20 Blue 51 (Qty 5)

DISC BRUSH APPLICATION GUIDE (SUGGESTION ONLY)

Application	Heavy Grit	Medium Grit	Lite Grit	Poly	Soft Nylon
Stripping:					
Concrete	X				
Terrazzo	X				
Ceramic/Quarry tile	X				
Vinyl tile	X				
General Scrubbing:					
Concrete	X	X	X	X	
Terrazzo		X	X	X	
Ceramic/Quarry tile		X	X	X	
Marble			X	X	X
Vinyl tile		X	X	X	
Raised-rubber tile			X	X	X

PAD SELECTOR GUIDE

We provide pads that will give you the best possible performance between machine and floor. Following are descriptions of the materials and their applications.

- White: For very light scrubbing on high gloss floor finishes where a red pad may be too aggressive.
- Red: Most popular daily cleaning and scrubbing pad for use on a wide varieties of floors.
- Blue: For heavy duty scrubbing prior to recoating. Removes dirt, spills and scuffs, leaving a clean surface ready for recoating.
- Black: For conventional stripping with chemicals.
- 3M Hi Pro: For conventional stripping with chemicals. Unique open web construction allows stripping solution to flow through the pad to rinse out dirt and reduce loading for increased pad-to-floor contact and more efficient stripping.
- Maroon: Prepares wood, vinyl tile, sheet vinyl, marble, terrazzo and concrete floors for refinishing.

REV Deck Pads

- 56390045 - Velcro 2 Sided
56390046 - Pad-Maroon-20-10/CS (Qty 10 per case) (Americo)
56384451 - Pad-Maroon-20-10/CS (Qty 10 per case) (3M)
56390079 - Pad Micro Fiber
976068 - Pad 20-In Red 5100 (Qty 5)
976067 - Pads Cs 20 White 51 (Qty 5)

SQUEEGEE BLADE SELECTOR GUIDE

Red Gum Rubber: Provides longest life on finished or unfinished concrete floors.

Polyurethane: Oil resistance provides superior life in applications with oily floors.

Performance Traits	Red Gum Rubber (Natural Rubber)	Polyurethane/ Pentathane
Tear Strength	X	X
Abrasion Resistance	X	X
Applications		
Oil Resistant Applications		X
Appearance	Red	Translucent



14600 21st Avenue North
Plymouth, MN 55447-3408

www.advance-us.com

Phone: 800-989-2235

Fax: 800-989-6566

©2015 Nilfisk-Advance, Inc.

A Nilfisk Brand