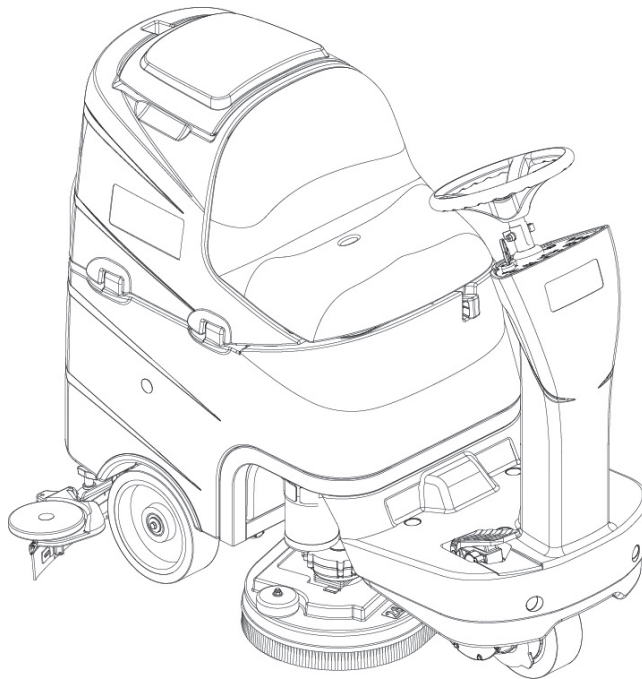


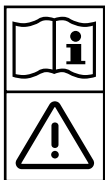
Clarke[®]

FOCUS II[™]

Micro Rider



Instructions For Use - Original Instructions / Instrucciones de uso / Mode d'emploi
Models: 9087278020 - 9087280020



READ THIS BOOK

LEA ESTE MANUAL

LISEZ CE MANUEL

EN English (1 - 28)

ES Español (29 - 56)

FR Français (57 - 84)

This book has important information for the use and safe operation of this machine. Failure to read this book prior to operating or attempting any service or maintenance procedure to your Clarke machine could result in injury to you or to other personnel; damage to the machine or to other property could occur as well. You must have training in the operation of this machine before using it. If your operator(s) cannot read this manual, have it explained fully before attempting to operate this machine.

All directions given in this book are as seen from the operator's position at the rear of the machine.

TABLE OF CONTENTS

INTRODUCTION	2
MANUAL PURPOSE AND CONTENTS	2
TARGET.....	2
HOW TO KEEP THIS MANUAL.....	2
IDENTIFICATION DATA.....	2
OTHER REFERENCE MANUALS.....	2
SPARE PARTS AND MAINTENANCE.....	2
CHANGES AND IMPROVEMENTS	2
OPERATION CAPABILITIES	2
CONVENTIONS	2
UNPACKING/DELIVERY	3
SAFETY	3
SYMBOLS	3
GENERAL INSTRUCTIONS.....	3
SYMBOLS SHOWN ON THE MACHINE.....	5
MACHINE DESCRIPTION	6
MACHINE STRUCTURE	6
CONTROL PANEL.....	8
ACCESSORIES/OPTIONS	9
TECHNICAL DATA	9
WIRING DIAGRAM.....	10
USE	12
BATTERY CHECK/SETTING ON A NEW MACHINE	12
BATTERY INSTALLATION AND BATTERY TYPE SETTING (WET OR GEL/AGM).....	12
BEFORE MACHINE START-UP	14
MACHINE START AND STOP.....	17
MACHINE OPERATION (SCRUBBING/DRYING).....	17
TANK EMPTYING	19
AFTER USING THE MACHINE	20
PUSHING/TOWING THE MACHINE	20
MACHINE LONG INACTIVITY	20
FIRST PERIOD OF USE	21
MAINTENANCE.....	21
SCHEDULED MAINTENANCE TABLE	21
MACHINE WORKING HOUR CHECK	21
SQUEEGEE CLEANING	22
SQUEEGEE BLADE CHECK AND REPLACEMENT	22
BRUSH/CYLINDRICAL BRUSH CLEANING.....	23
RECOVERY TANK CLEANING	23
VACUUM SYSTEM MOTOR FILTER CLEANING.....	24
SOLUTION FILTER CLEANING	24
BATTERY CHARGING	25
CHEMICAL MIXING SYSTEM DRAINING	26
FUSE CHECK/REPLACEMENT.....	26
SAFETY FUNCTIONS	26
EMERGENCY PUSH-BUTTON.....	26
ANTI-SKID SAFETY SYSTEM	26
DRIVER'S SEAT MICROSWITCH.....	26
ELECTROMAGNETIC BRAKE.....	26
TROUBLESHOOTING	27
SCRAPPING	28
PARTS LIST.....	85

INTRODUCTION



NOTE

The numbers in brackets refer to the components shown in Machine Description chapter.

MANUAL PURPOSE AND CONTENTS

The purpose of this Manual is to provide the operator with all necessary information to use the machine properly, in a safe and autonomous way. It contains information about technical data, safety, operation, storage, maintenance, spare parts and disposal. Before performing any procedure on the machine, the operators and qualified technicians must read this Manual carefully. Contact Clarke in case of doubts concerning the interpretation of the instructions and for any further information.

TARGET

This Manual is intended for operators and technicians qualified to perform the machine maintenance.

The operators must not perform procedures reserved for qualified technicians. Clarke will not be answerable for damages coming from the non-observance of this prohibition.

HOW TO KEEP THIS MANUAL

The User Manual must be kept near the machine, inside an adequate case, away from liquids and other substances that can cause damage to it.

IDENTIFICATION DATA

The machine serial number and model are shown on the plate (21) on the steering column.

The machine production year is written in the declaration of conformity and it is also indicated by the first two figures of the machine serial number.

This information is useful when requiring machine spare parts. Use the following table to write down the machine identification data.

MACHINE model
MACHINE serial number

OTHER REFERENCE MANUALS

– Electronic Battery Charger Manual (an integral part of this Manual, and available upon request)

Moreover, the following Manuals are available:

- Service Manual (that can be consulted at any Clarke Service Center)
- Spare Parts List (supplied with the machine)

SPARE PARTS AND MAINTENANCE

All necessary operating, maintenance and repair procedures must be performed by qualified personnel or by Clarke Service Centers. Only original spare parts and accessories must be used.

Call Clarke for service or to order spare parts and accessories, specifying the machine model and serial number.

CHANGES AND IMPROVEMENTS

Clarke constantly improves its products and reserves the right to make changes and improvements at its discretion without being obliged to apply such benefits to the machines that were previously sold.

Any change and/or addition of accessory must be approved and performed by Clarke.

OPERATION CAPABILITIES

This scrubber-dryer is used to clean (scrubbing and drying) smooth and solid floors, in civil or industrial environment, under safe operation conditions by a qualified operator.

The scrubber-dryer cannot be used for fitted carpet and carpet cleaning.

CONVENTIONS

Forward, backward, front, rear, left or right are intended with reference to the operator's position, that is to say on the driver's seat (17).

UNPACKING/DELIVERY

To unpack the machine, carefully follow the instructions on the packing.

To move the machine manually, see the Pushing/Towing The Machine paragraph.

Upon delivery carefully check that the machine and its packing have not been damaged during transportation. In case of visible damages, keep the packing and have it checked by the carrier that delivered it. Call the carrier immediately to complete a damage claim.

Check that the machine is equipped with the following features:

- Technical documents:
 - Scrubber-dryer User Manual with Spare Parts List
 - Battery Charger Manual
- 2 lamellar fuses
- 1 battery charger spare connector
- 2 shims for 6V battery housing

SAFETY

The following symbols indicate potentially dangerous situations. Always read this information carefully and take all necessary precautions to safeguard people and property.

The operator's cooperation is essential in order to prevent injury. No accident prevention program is effective without the total cooperation of the person responsible for the machine operation. Most of the accidents that may occur, are caused by failure to comply with the simplest rules for exercising prudence. A careful and prudent operator is the best guarantee against accidents and is essential for successful completion of any accident prevention program.

SYMBOLS



DANGER!

It indicates a dangerous situation with risk of death for the operator.



WARNING!

It indicates a potential risk of injury for people or damage to objects.



CAUTION!

It indicates a caution or a remark related to important or useful functions. Pay careful attention to the paragraphs marked by this symbol.



NOTE

It indicates a remark related to important or useful functions.



CONSULTATION

It indicates the necessity to refer to the User Manual before performing any procedure.

GENERAL INSTRUCTIONS

Specific warnings and cautions to inform about potential damages to people and machine are shown below.



DANGER!

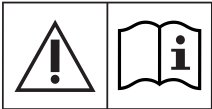
- **Before performing any maintenance, repair, cleaning or replacement procedure disconnect the battery connector and remove the ignition key.**
- **This machine must be used by properly trained operators only.**
- **Keep the battery away from sparks, flames and incandescent material. During the normal operation explosive gases are released.**
- **Do not wear jewelry when working near electrical components.**
- **Do not work under the lifted machine without supporting it with safety stands.**
- **Do not operate the machine near toxic, dangerous, flammable and/or explosive powders, liquids or vapors: This machine is not suitable for collecting dangerous powders.**
- **Battery charging produces highly explosive hydrogen gas. Keep the tank assembly open during battery charging and perform this procedure in well-ventilated areas and away from naked flames.**

**WARNING!**

- *Carefully read all the instructions before performing any maintenance/repair procedure.*
- *Before using the battery charger, ensure that frequency and voltage values, indicated on the machine serial number plate, match the electrical mains voltage.*
- *Do not pull or carry the machine by the battery charger cable and never use the battery charger cable as a handle. Do not close a door on the battery charger cable, or pull the battery charger cable around sharp edges or corners. Do not run the machine on the battery charger cable.*
- *Keep the battery charger cable away from heated surfaces.*
- *Do not use the machine if the battery charger cable or plug is damaged. If the machine is not working as it should, has been damaged, left outdoors or dropped into water, return it to the Service Center.*
- *To reduce the risk of fire, electric shock, or injury, do not leave the machine unattended when it is plugged in. Before performing any maintenance procedure, disconnect the battery charger cable from the electrical mains.*
- *Do not smoke while charging the batteries.*
- *To avoid any unauthorized use of the machine, remove the ignition key.*
- *Do not leave the machine unattended without being sure that it cannot move independently.*
- *Always protect the machine against the sun, rain and bad weather, both under operation and inactivity condition. Store the machine indoors, in a dry place: This machine must be used in dry conditions, it must not be used or kept outdoors in wet conditions.*
- *Before using the machine, close all doors and/or covers as shown in the User Manual.*
- *Do not allow to be used as a toy. Close attention is necessary when used near children.*
- *Use only as shown in this Manual. Use only Clarke's recommended accessories.*
- *Take all necessary precautions to prevent hair, jewelry and loose clothes from being caught by the machine moving parts.*
- *Do not use the machine on incline.*
- *Do not tilt the machine more than the angle indicated on the machine itself, in order to prevent instability.*
- *Do not use the machine in particularly dusty areas.*
- *Use the machine only where proper lighting is provided.*
- *If the machine is to be used where there are other people besides the operator, it is necessary to install the pivoting light (optional).*
- *While using this machine, take care not to cause damage to people or objects.*
- *Do not bump into shelves or scaffoldings, especially where there is a risk of falling objects.*
- *Do not put any can containing fluids on the machine.*
- *The machine operating temperature must be between +32°F and 104°F (0°C and +40°C).*
- *The machine storage temperature must be between +32°F and 104°F (0°C and +40°C).*
- *The humidity must be between 30% and 95%.*
- *When using floor cleaning detergents, follow the instructions on the labels of the detergent bottles.*
- *To handle floor cleaning detergents, wear suitable gloves and protections.*
- *Do not use the machine as a means of transport.*
- *Do not allow the brushes to operate while the machine is stationary to avoid damaging the floor.*
- *In case of fire, use a powder fire extinguisher, not a water one.*
- *Do not tamper with the machine safety guards and follow the ordinary maintenance instructions scrupulously.*
- *Do not allow any object to enter into the openings. Do not use the machine if the openings are clogged. Always keep the openings free from dust, hairs and any other foreign material which could reduce the air flow.*
- *Do not remove or modify the plates affixed to the machine.*
- *To manually move the machine, the electromagnetic brake must be disengaged. When the operation is over, the electromagnetic brake must be activated again. Do not use the machine when the electromagnetic brake handwheel is screwed down.*
- *If the machine must be pushed for service reasons (missing batteries, discharged batteries, etc.) do not exceed 2.5 mph (4 km/h).*
- *This machine cannot be used on roads or public streets.*

**WARNING!**

- Pay attention during machine transportation when temperature is below freezing point. The water in the recovery tank or in the hoses could freeze and seriously damage the machine.
- Use brushes and pads supplied with the machine or those specified in the User Manual. Using other brushes or pads could reduce safety.
- In case of machine malfunctions, ensure that these are not due to lack of maintenance. Otherwise, request assistance from the authorized personnel or from an authorized Service Center.
- If parts must be replaced, use ORIGINAL spare parts from an Authorized Dealer or Retailer.
- To ensure machine proper and safe operation, the scheduled maintenance shown in the relevant chapter of this Manual, must be performed by authorized personnel or by an authorized Service Center.
- Do not wash the machine with direct or pressurized water jets, or with corrosive substances.
- When WET batteries are installed on the machine, do not tilt the machine for more than 30° from the horizontal plane to prevent the highly corrosive acid from leaking out of the batteries. If the machine must be tilted to perform any maintenance procedure, remove the batteries.
- The machine must be disposed of properly, because of the presence of toxic-harmful materials (batteries, etc.), which are subject to standards that require disposal in special centers (see Scrapping chapter).

SYMBOLS SHOWN ON THE MACHINE**WARNING!**

Carefully read all instructions before performing any procedure on the machine.

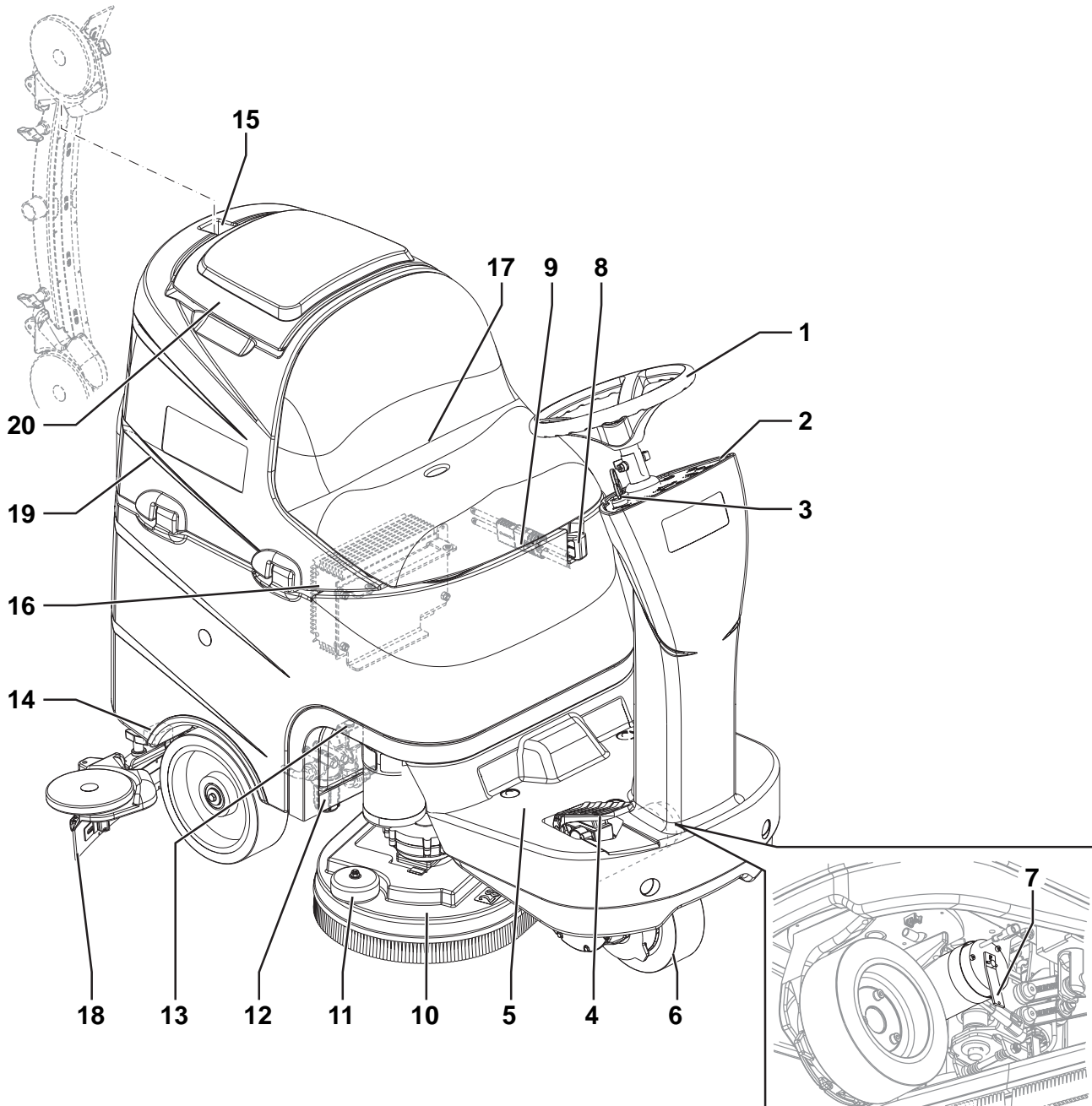
**WARNING!**

Do not wash the machine with direct or pressurized water jets.

MACHINE DESCRIPTION

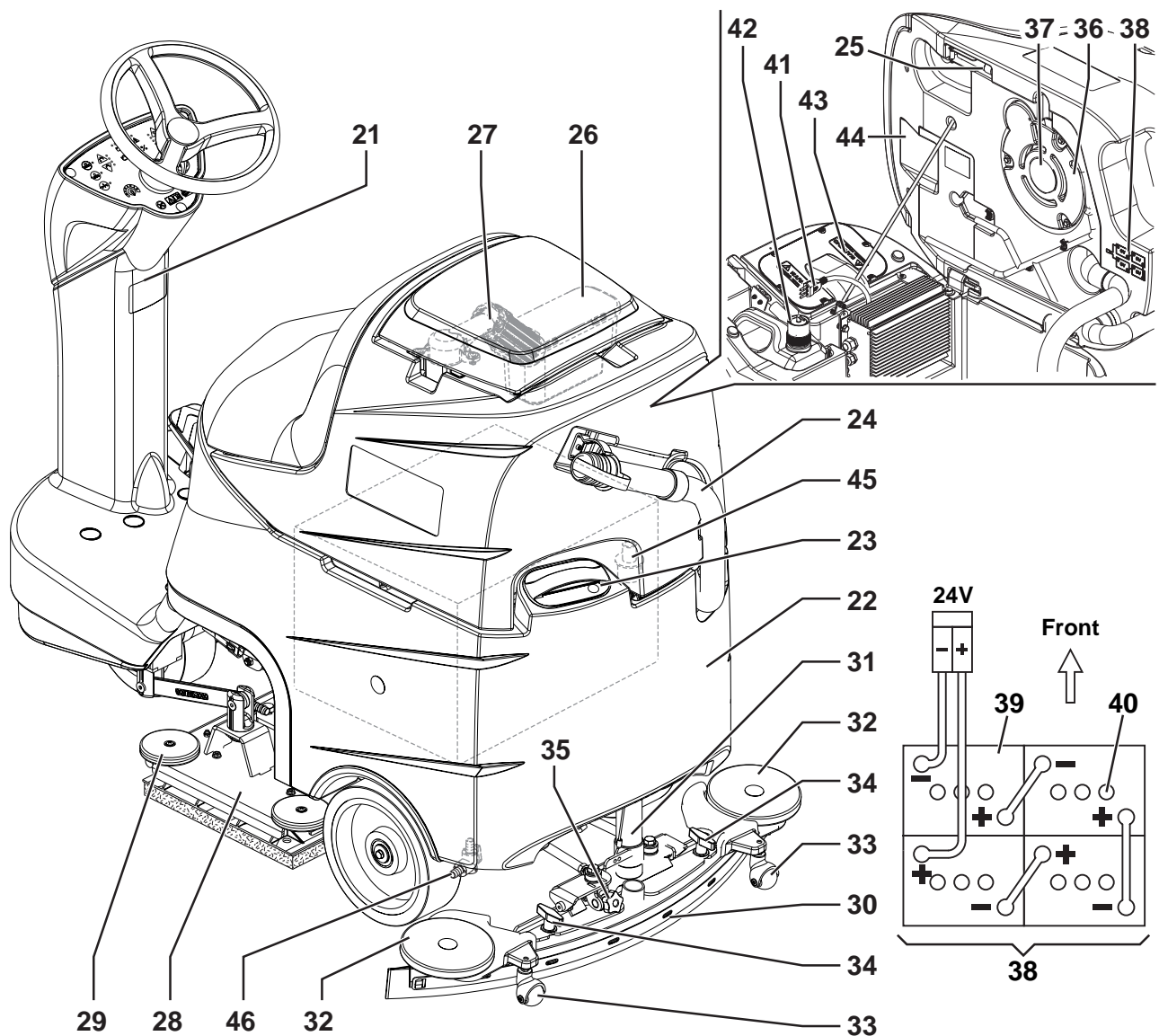
MACHINE STRUCTURE

- | | |
|--|--|
| 1. Steering wheel | 11. Bumper wheel |
| 2. Control panel (see the following paragraph) | 12. Solution filter |
| 3. Ignition key | 13. Solenoid valve |
| 4. Forward/reverse gear pedal | 14. Solution/clean water opening/closing tap |
| 5. Footboard | 15. Squeegee hook |
| 6. Front steering, driving and braking wheel | 16. Battery charger |
| 7. Electromagnetic brake unlocking lever | 17. Seat |
| 8. Emergency push-button | 18. Squeegee blades assembly |
| 9. Battery connector | 19. Recovery tank assembly |
| 10. Brush/pad-holder deck | 20. Recovery tank cover |



MACHINE STRUCTURE (Continues)

- | | |
|---|---|
| 21. Serial number plate/technical data/conformity certification | 33. Squeegee support wheels |
| 22. Solution/clean water tank | 34. Squeegee mounting handwheels |
| 23. Solution/clean water tank filler neck | 35. Squeegee pitch adjusting handwheel |
| 24. Recovery water drain hose | 36. Vacuum system motor |
| 25. Tank assembly stand | 37. Vacuum system motor filter |
| 26. Container with debris collection grid | 38. Battery connection diagram |
| 27. Vacuum grid with automatic shut-off float | 39. Batteries |
| 28. BOOST® vibrating deck | 40. Battery caps |
| 29. Bumper wheel | 41. Battery charger cable |
| 30. Squeegee | 42. Detergent tank (*) |
| 31. Squeegee vacuum hose | 43. Electronic component compartment cover |
| 32. Squeegee bumper wheels | 44. (Lifted) recovery tank assembly and driver's seat |
| | 45. Solution/clean water draining adapter |
| | 46. Solution/clean water drain tap |
- (*) Only for machines with Chemical Mixing System (optional)



CONTROL PANEL

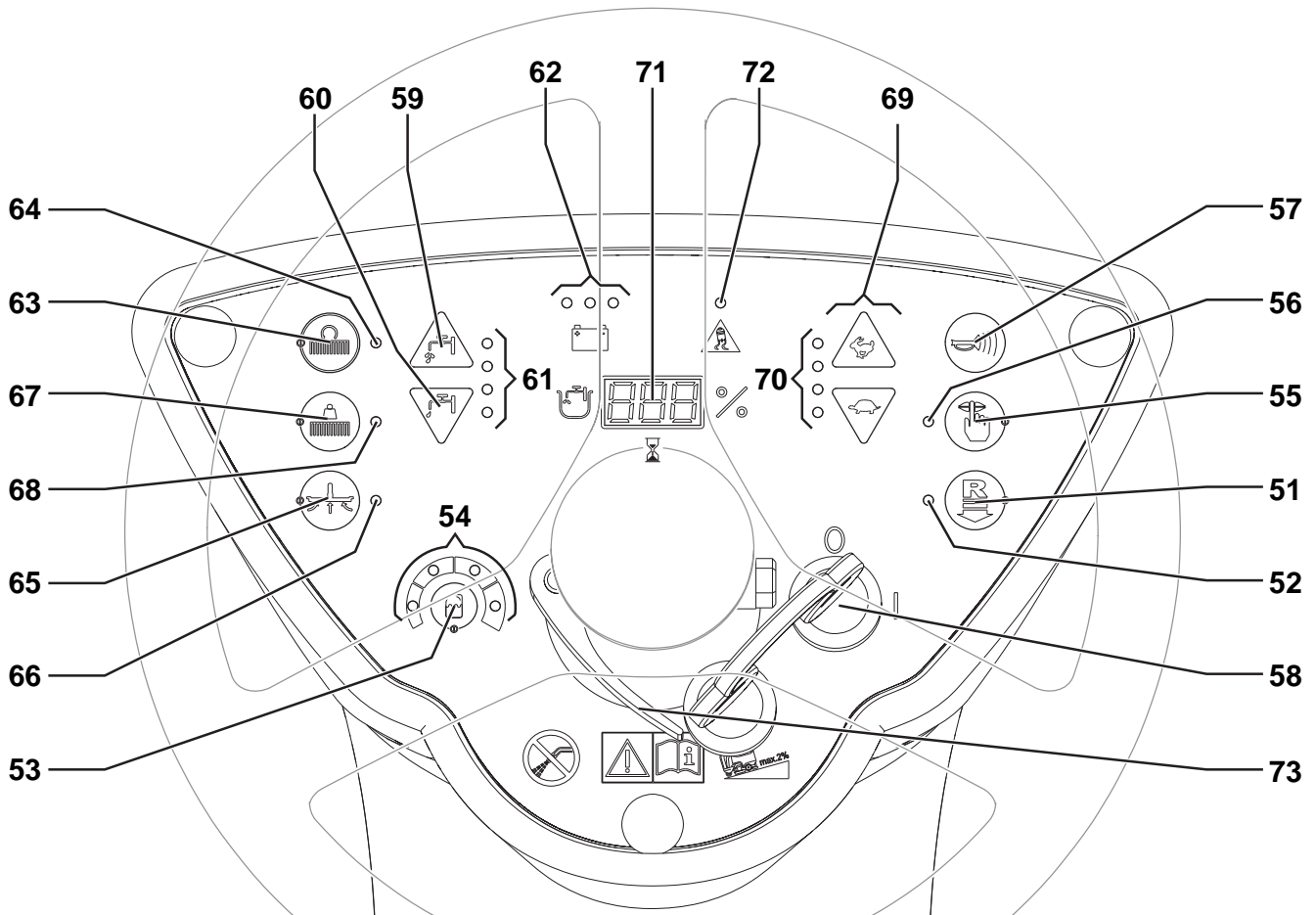
- 51. Reverse gear activation/deactivation switch
- 52. Reverse gear LED indicator
- 53. Detergent concentration control switch (*)
- 54. Detergent concentration LED indicators (*)
- 55. Mute function switch
- 56. Mute function switch LED
- 57. Horn switch
- 58. Ignition key
- 59. Solution flow increase switch
- 60. Solution flow decrease switch
- 61. Solution flow quantity LED indicators
- 62. Battery warning lights
 - Green warning light - charged battery
 - Yellow warning light - semi-discharged battery
 - Red warning light - discharged battery
- 63. Brush/pad-holder deck and squeegee lifting/lowering switch
- 64. Brush/pad-holder deck and squeegee lifting/lowering LED indicator
- 65. Vacuum system and squeegee lifting/lowering switch
- 66. Vacuum system and squeegee lifting/lowering LED indicator
- 67. Extra-pressure switch
- 68. Extra pressure led indicator
- 69. Drive speed adjusting switches (enabled only when the brushes are running)
- 70. Drive speed LED indicators
- 71. Hour counter and solution level display:
 - When the machine is started, it displays for a few seconds the number of working hours which have been performed.
 - While using the machine, it displays the solution/ washing water level in the tank (in percentage).
 - When the level is above 90%, the display indicates "FUL".
 - When the level is under 30%, the display indicates "LO".
 - When the tank is almost empty, "LO" starts flashing.



NOTE

The display could indicate "LO" even if the tank is not completely empty, thus allowing to complete the cleaning cycle; in any case, it is recommended to check the actual solution flow supplied to the brushes.

- 72. Anti-skid control activation LED indicator
 - 73. Steering wheel height control lever
- (*) Only for machines with Chemical Mixing System (optional)



ACCESSORIES/OPTIONS

In addition to the standard components, the machine can be equipped with the following accessories/options, according to the machine specific use:

- GEL/AGM batteries
- Brushes of different materials
- Pads of different materials
- Squeegee blades of different materials
- Chemical Mixing System
- Flashing light
- Mop and trash kit
- 0.9 HP (670 W) vacuum system motor

For further information concerning the optional accessories, contact an authorized Retailer.

TECHNICAL DATA

General technical data

Description	FOCUS II MICRO RIDER 26D	FOCUS II MICRO RIDER 28 BOOST
Cleaning width	26 in (660 mm)	28 in (710 mm)
Squeegee width	35 in (890 mm)	
Solution/clean water tank capacity	21 USgal (80 liters)	
Solution flow	0.26 to 0.8 USgal/min (1 to 3 liters/min)	
Rear wheel diameter	9.8 in (250 mm)	
Front wheel specific pressure on the floor	72 psi (0.5 N/mm ²)	
Rear wheel specific pressure on the floor	130 psi (0.9 N/mm ²)	
Front steering, driving and braking wheel diameter	8.8 in (225 mm)	
Vacuum system motor power	0.56 HP (420 W)	
Drive system motor power	0.4 HP (300 W)	
Maximum speed	3.7 mph (6 km/h)	
Maximum gradient when working	2% (1.14°)	
Sound pressure level at workstation (ISO 11201, ISO 4871, EN 60335-2-72) (LpA)	65 dB(A) ± 3 dB(A)	
Machine sound pressure level (ISO 3744, ISO 4871, EN 60335-2-72) (LwA)	82 dB(A)	83 dB(A)
Vibration level at the operator's arms (ISO 5349-1, EN 60335-2-72)	< 98.4 in/s ² (< 2.5 m/s ²)	
Vibration level at the operator's body (ISO 2631-1, EN 60335-2-72)	3.1 in/s ² (0.8 m/s ²)	
Battery compartment size (length x width x height)	14.9 x 21.2 x 11.8 in (380 x 540 x 300 mm)	
Battery type	4 x 6V batteries, 180 Ah C5 (WET)	
	4 x 6V batteries, 180 Ah C5 (GEL/AGM)	
Vacuum system capacity	0.0098 MPa (1,000 mmH ₂ O)	
Machine height	48.4 in (1,230 mm)	
Machine maximum length	53.5 in (1,360 mm)	
Minimum turning radius	59.0 in (1,500 mm)	
Machine width without squeegee	670 mm	730 mm

Technical data for machines with brush/pad-holder deck

Description	FOCUS II MICRO RIDER 26D
Brush/pad diameter	13.0 in (330 mm)
Weight without batteries and with empty tanks	385.8 lb (175 kg)
Maximum weight with batteries, full tanks and operator (GVW)	1,012 lb (459 kg)
Brush/pad motor power	2 x 0.53 HP (2 x 400 W)
Brush/pad-holder speed	230 rpm
Brush/pad-holder pressure with extra-pressure function turned off	66.1 lb (30 kg)
Brush/pad-holder pressure with extra-pressure function turned on	105.8 lb (48 kg)

Technical Data with BOOST® deck

Description	FOCUS II MICRO RIDER 28 BOOST
Brush size	28 x 14 in (711 x 355.6 mm)
Weight without batteries and with empty tanks	401 lb (182 kg)
Maximum weight with batteries, full tanks and operator (GVW)	1,027 lb (466 kg)
BOOST® deck motor power	0.75 HP (560 W)
Motor speed	2,200 rpm
BOOST® deck pressure with extra-pressure function turned off	81.5 lb (37 kg)
BOOST® deck pressure with extra-pressure function turned on	121 lb (55 kg)

WIRING DIAGRAM

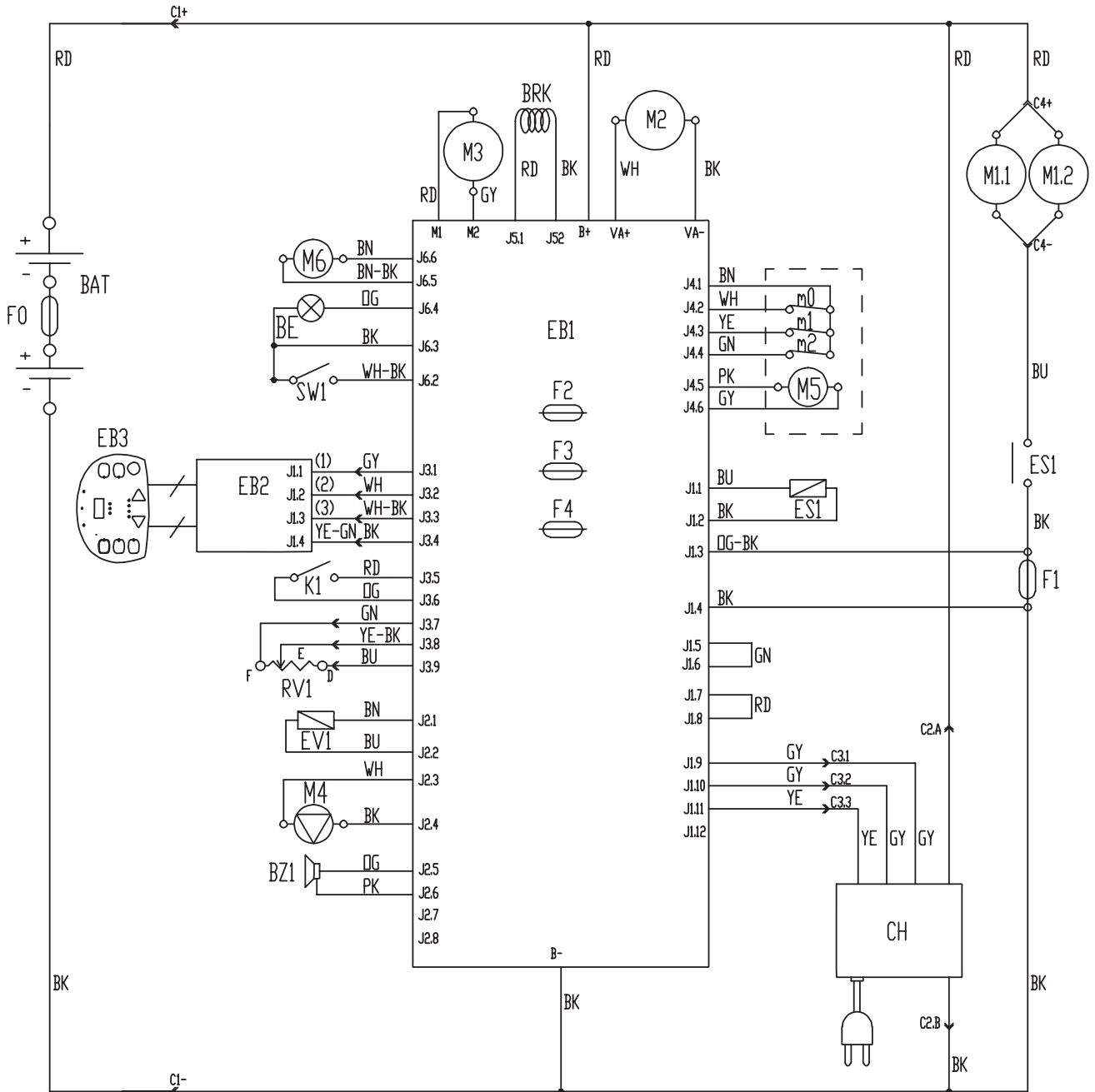
Key

BAT	24V batteries
BE	Flashing light (optional)
BRK	Electromagnetic brake
BZ1	Reverse gear warning buzzer/horn
C1	Battery connector
C2	Battery charger main connector
C3	Battery charger sub-connector
C4	Brush deck connector
CH	Battery charger
EB1	Function electronic board
EB2	Display electronic board
EB3	Dashboard instrument electronic board
ES1	Brush electromagnetic switch
EV1	Solenoid valve
F0	Battery fuse
F1	Brush deck fuse
F2	Main electronic board fuse
F3	Signal circuit fuse
F4	Actuator fuse
K1	Ignition switch
M1.1,2	Brush motor
M2	Vacuum system motor
M3	Drive system motor
M4	Detergent pump (optional)
M5	Brush deck actuator motor
m0	Actuator position 0 microswitch (Raised)
m1	Actuator position 1 microswitch (Normal)
m2	Actuator position 2 microswitch (Extra pressure)
M6	Squeegee actuator motor
PR1	Solution/clean water level pressure switch (into EB1)
RV1	Drive pedal potentiometer
SW1	Driver's seat microswitch

Color codes

BK	Black
BU	Blue
BN	Brown
GN	Green
GY	Grey
OG	Orange
PK	Pink
RD	Red
VT	Violet
WH	White
YE	Yellow

WIRING DIAGRAM (Continues)



P100434

USE**WARNING!**

On some points of the machine there are some adhesive plates indicating:

- **DANGER**
- **WARNING**
- **CAUTION**
- **CONSULTATION**

While reading this Manual, the operator must pay particular attention to the symbols shown on the plates. Do not cover these plates for any reason and immediately replace them if damaged.

BATTERY CHECK/SETTING ON A NEW MACHINE**WARNING!**

The electric components of the machine can be seriously damaged if the batteries are either improperly installed or connected. The batteries must be installed by qualified personnel only. Set the function electronic board according to the type of batteries installed (WET or GEL/AGM).

Check the batteries for damage before installation.

Disconnect the battery connector and the battery charger plug.

Handle the batteries with great care.

Install the battery terminal protection caps supplied with the machine.

The machine requires 4 6 V batteries, connected according to the diagram (38).

The machine can be supplied in one of the following modes:

Batteries (WET or GEL/AGM) already installed and ready to be used

1. Open the cover (20) and check that the recovery tank (19) is empty, otherwise empty it with the drain hose (24).
2. Close the cover (20).
3. Carefully lift the recovery tank assembly (19) from left side.
4. Check that the batteries are connected to the machine with the connector (9).
5. Carefully lower the recovery tank assembly (19).
6. Insert the ignition key (58) and turn it to "I". If the green warning light (62) turns on, the batteries are ready to be used. If the yellow or red warning light turns on, the batteries must be charged (see the procedure in Maintenance chapter).

Without batteries

1. Buy appropriate batteries (see Technical Data paragraph).
 - For battery choice and installation, visit a qualified battery Retailer.
2. Set the machine according to the type of batteries installed (WET or GEL/AGM) (see the following paragraph).
3. Install the batteries (see the following paragraph).
4. Charge the batteries.





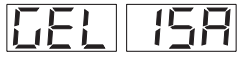

BATTERY INSTALLATION AND BATTERY TYPE SETTING (WET OR GEL/AGM)**Battery installation**

1. Open the recovery tank cover (20) and check that the recovery tank (19) is empty, otherwise empty it with the recovery water drain hose (24).
2. Close the cover (20).
3. Carefully lift the recovery tank assembly (19).
4. Install the batteries and connect them according to the diagram (38).

Battery type setting

Set the function electronic board of the machine and the battery charger according to the type of batteries installed (WET or GEL/AGM) as shown below:

5. Turn the ignition key (58) to "I" and, in the very first seconds of machine operation, detect the current setting by counting the number of flashes of the battery warning lights (62), as shown in the following table:

SETTING	DISPLAY (71)	BATTERY WARNING LIGHT INDICATION (62)	BATTERY TYPE	CHARGING CURRENT
1		4 flashes of the red warning light	WET	STANDARD
2		4 flashes of the green warning light	GEL-AGM	
3		4 flashes of the yellow warning light	GEL EXIDE® type	
4		2 flashes of the red warning light	WET	REDUCED (see note)
5		2 flashes of the green warning light	GEL-AGM	
6		2 flashes of the yellow warning light	GEL EXIDE® type	

6. If the setting is to be changed, perform the following procedure.
 7. Turn off the machine by turning the ignition key (58) to "0".
 8. Press and hold the switches (63) and (65) at the same time, then turn the ignition key (58) to "I".
 9. Release the switches (63) and (65) within 5 seconds of starting the machine.
 10. Within 3 seconds, press the switch (65) to go to the next setting (1 to 6 in sequence).



NOTE

When performing steps 9 and 10, the settings are shown on the display (71) according to the code in the above table.



NOTE

When using batteries with a capacity lower than 160Ah@5h (if in doubt, refer to the battery documents). To avoid battery overheating during charging procedure, use the REDUCED charging current with setting 4, 5 or 6 shown in the table, based on the type of batteries installed.



NOTE

The battery charger must be set according to the type of batteries.

Battery charging

11. Charge the batteries (see the procedure in Maintenance chapter).

BEFORE MACHINE START-UP



WARNING!

At every machine start-up, check that, between the deck (5, 10 and 28) and the machine or between the squeegee (30) and the machine, there is no foreign material which may prevent the deck and the squeegee from lifting. This check is necessary because, if the machine has been turned off without lifting the deck and the squeegee, the deck and the squeegee will lift automatically at next machine start-up.

Pad-holder installation/removal (for FOCUS II MICRO RIDER 26D)

According to the kind of cleaning to be performed, the machine can be equipped either with brushes (A, Fig. 1) or pad-holders (B) with pads (C).

For the installation/removal, proceed as follows.



WARNING!

Before turning on the switch (63), always check that between the deck (10) and the machine there is no foreign material which may prevent the deck from lifting.

1. Lift the deck by pressing the switch (63).
2. Turn the ignition key (58) to "0".
3. Manually move the deck assembly to the left, then release the lever (D) and disassemble the covers (E) and (F) from the deck.
4. Install the brushes/pad-holders on the deck drive hub (G) by pushing them upwards until they are engaged.
5. To remove the brushes/pad-holders perform steps 1 to 3, then release them from the hub by pushing firmly downwards.



WARNING!

If the machine is not perfectly assembled it can cause damage to people and property. Always check that all components are assembled before starting the machine. Carefully inspect the machine before using it.

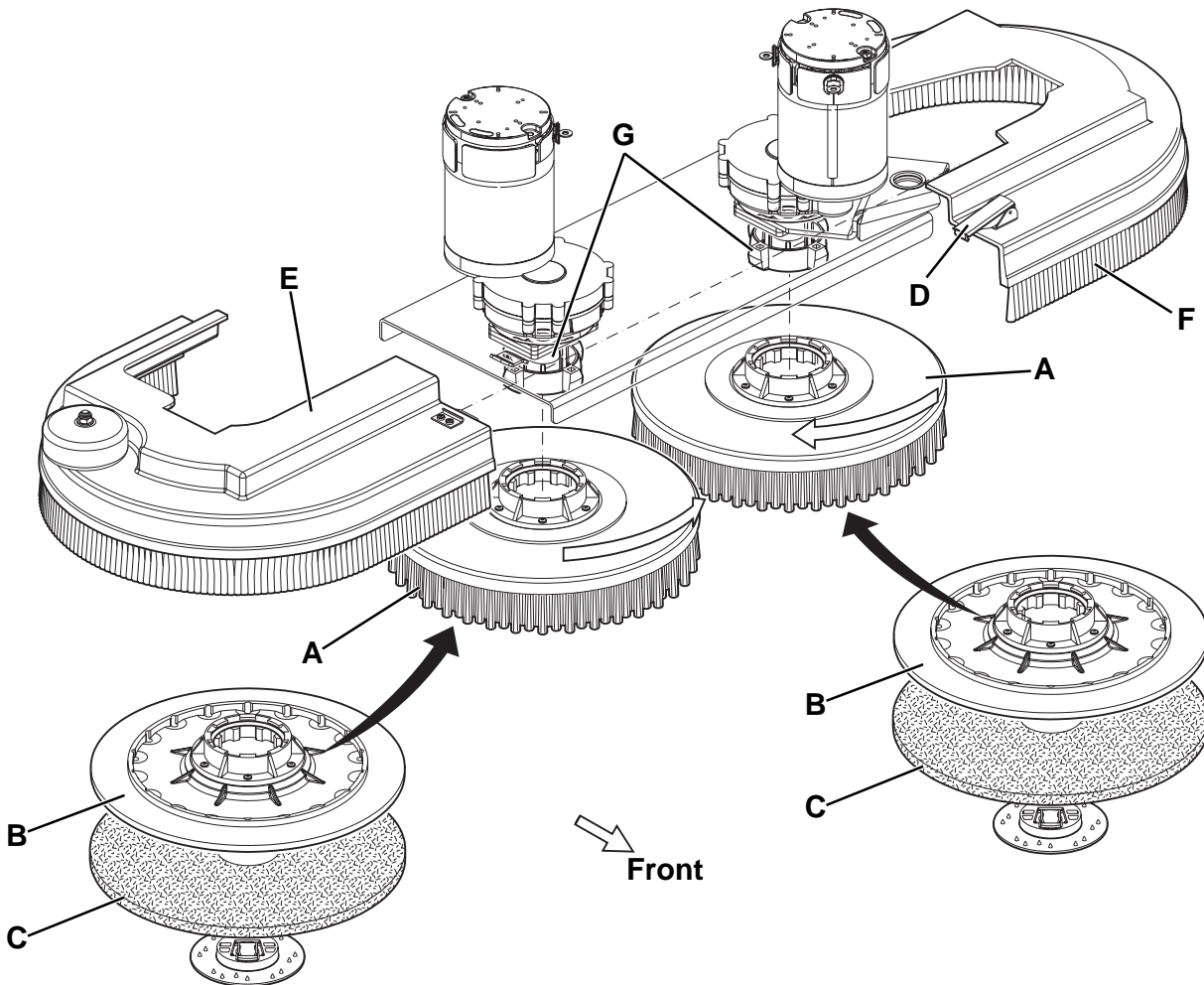


Figure 1

P100435

Available brushes and their relevant application guides (suggestions only)

Models	HEAVY GRIT	LITE GRIT	MEDIUM GRIT	POLY	SOFT NYLON	UNIVERSAL BRUSH 5K
General cleaning:						
Concrete						
Terrazzo floor						
Ceramic tiles/quarrystones						
Marble						
Vinyl tiles						
Rubber tiles						
Polishing:						
Rubber tiles						
Marble						
Vinyl tiles						

Pad installation/removal (for FOCUS II MICRO RIDER 28 BOOST®)

The machine with BOOST® deck can be equipped with pads according to the type of floor to be cleaned.

1. Insert the ignition key (58) and turn it to "I".



WARNING!

Before turning on the switch (63), always check that between the deck (28) and the machine there is no foreign material which may prevent the deck from lifting.

2. Lift the deck by pressing the switch (63).
3. Turn the ignition key (58) to "0" and remove it.
4. Install the pad (A, Fig. 3) so that it engages the plates on the BOOST® deck.
5. To remove the pad perform steps 1 to 3, then manually release the pad from the deck plate.

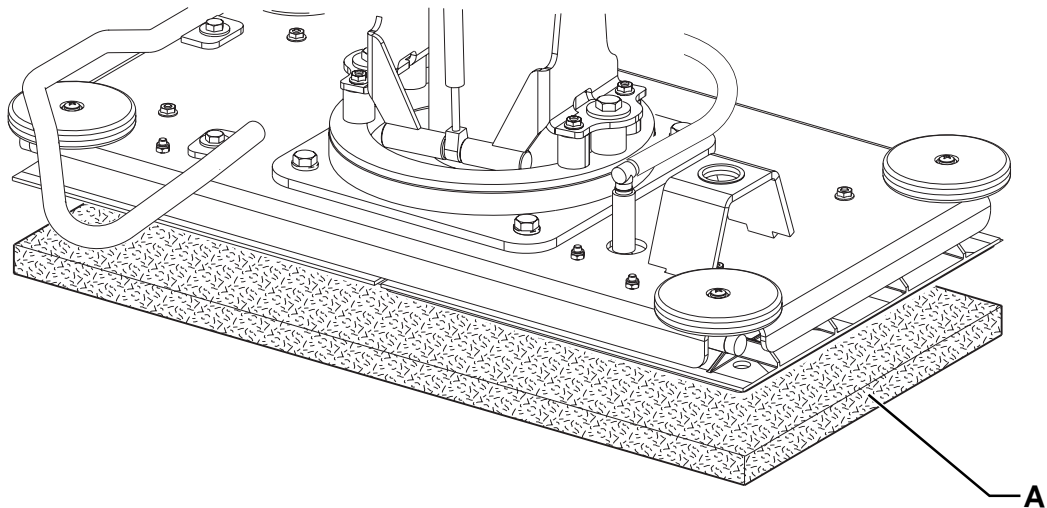


Figure 3

P100437

Squeegee installation

6. Install the squeegee (30) and fasten it with the handwheels (34), then connect the vacuum hose (31) to the squeegee.
7. With the handwheel (35), adjust the squeegee so that the rear blades (18) - in all its length - touches the floor and the front blade is slightly detached from the floor.

Solution/clean water tank filling



NOTE

If the machine is equipped with Chemical Mixing System (optional) the tank must be filled with clean water, otherwise the tank must be filled with solution.



CAUTION!

Use only low-foam and non-flammable detergents, intended for automatic scrubber applications.



WARNING!

When using floor cleaning detergents, follow the instructions on the labels of the detergent bottles. To handle floor cleaning detergents, wear suitable gloves and protections.

1. Open the filler neck (23).
2. **(For machines without Chemical Mixing System)**
Fill the tank (22) with a solution suitable for the work to be performed.
Do not fill the tank (22) completely, leave a few inches from the top of the filler neck (23).
Always follow the dilution instructions on the label of the chemical product used to prepare the solution.
The solution temperature must not exceed 104°F (40°C).
- (For machines with Chemical Mixing System)**
Fill the tank (22) with clean water.
Do not fill the tank (22) completely, leave a few inches from the top of the filler neck (23).
The water temperature must not exceed 104°F (40°C).

Detergent tank replacement (for machines with Chemical Mixing System)

1. Open the recovery tank cover (20) and check that the recovery tank (19) is empty, otherwise empty it with the drain hose (24).
2. Close the recovery tank cover (20).
3. Carefully lift the recovery tank assembly (19) from left side.
4. Uncap the detergent tank (42).
5. Remove the empty container and replace it with a new one.
6. Insert the hose properly and screw down the cap on the detergent tank.



NOTE

If the detergent tank is empty (in case of new system, system emptied for cleaning, etc.), in order to fill the hose quickly, it may be useful to drain the Chemical Mixing System once or several times (see the procedure in Maintenance chapter).

Driver's position adjustment

1. Using the lever (73), adjust the height of the steering wheel (1) to reach a comfortable position.

MACHINE START AND STOP

Starting the machine

1. Prepare the machine as shown in the previous sections.
2. Turn the ignition key (58) to "I" without pressing the drive pedal (4). Check if the battery green warning light (62) turns on.
 - If the yellow or red warning light turns on, turn the ignition key (58) back to "0" and charge the batteries (see the procedure in Maintenance chapter).
3. Drive the machine to the working place with both hands on the steering wheel (1) and by pressing the pedal (4).
4. Reverse speed is selected with the switch (51, LED 52 on).
5. To go back to forward speed press again the switch (51, LED 52 off).



NOTE

The driver's seat (17) is equipped with a safety sensor which allows the machine to be moved with the pedal (4) only when the operator is on the driver's seat.



NOTE

The machine is equipped with an anti-skid safety system (LED (72) flashing) that reduces the speed when turning and when the machine tilts laterally, regardless of the pressure on the pedal. In this case, the reduction of speed is not a malfunction but a characteristic that improves the machine stability and safety in every condition.

6. Lower the brush/pad-holder deck and the squeegee by pressing switch (63).
7. Press the solution flow control switches (59 and 60) according to the type of cleaning to be performed.
8. Start scrubbing, by starting it with both hands on the steering wheel (1) and by pressing the pedal (4).
 - Adjust the speed with the switches (69) according to the necessities or the work to be performed.



NOTE

The machine is equipped with a safety system that turns on the brushes and vacuum system only when the machine is moving.

Stopping the machine

9. Release the pedal (4).
10. It is not necessary to lock the machine during stopping or parking, because the electromagnetic brake on the wheel turns on automatically when the drive pedal is not pressed.
11. Lift the brush/pad-holder deck and the squeegee by pressing the switch (63).

MACHINE OPERATION (SCRUBBING/DRYING)

1. Start the machine as shown in the previous paragraph.
2. If necessary, adjust the solution quantity by pressing the switches (59 and 60).
3. If necessary, to reduce the noise, turn on the mute function by pressing the switch (55).



NOTE

The mute function will reduce the vacuum suction performances as well, so it is suggested to use the mute function only on smooth floors without joints.



NOTE

For correct scrubbing/drying of floors at the sides of the walls, Clarke suggests to go near the walls with the right side of the machine as shown in figure 4.

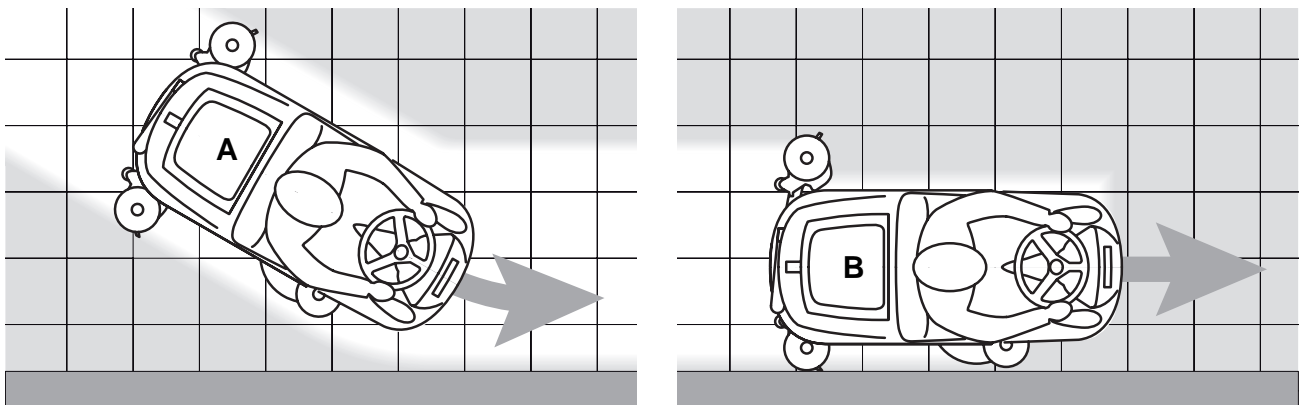


Figure 4

P100438

Squeegee adjustment

1. If necessary, stop the machine and turn the squeegee adjusting handwheel (35) so that the rear blade touches the floor along all its length.

Adjustment of the detergent concentration in the solution

(For machines with Chemical Mixing System)

The system used to mix the detergent with the washing water can be activated by pressing the detergent concentration control switch (A, Fig. 5): when one of the LEDs is on, the detergent is added to the washing water.

1. The average detergent concentration varies according to the detergent concentration LED indicators (B), as shown in figure 5.
2. Press the switch (A) to change the detergent concentration to reach the desired setting, or to reset (all LEDs off).



NOTE

Detergent percentage setting is stored into memory, even if the machine is turned off.



NOTE

The detergent concentration is kept constant even if the washing water flow is changed with the switches (C) or (D).

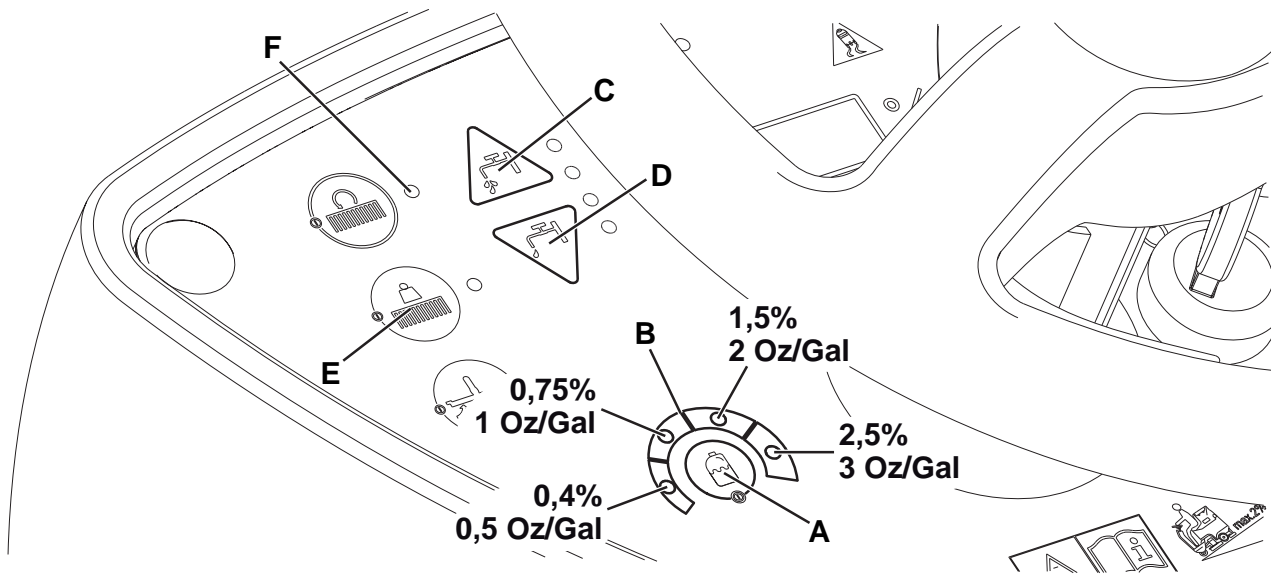


Figure 5

P100439

Working with brush/pad-holder extra pressure function turned on

1. If the floor proves to be particularly difficult to clean, it is possible to turn on the brush/pad-holder extra pressure function by pressing the switch (E, Fig. 5).
2. To return to normal pressure, press the switch (E) again.
 - The switch (E) is enabled only when the deck (5 and 10) is lowered and the LED (F) of the switch is on.



CAUTION!

In case of brush/pad-holder motor overload, due to foreign bodies which prevent them from rotating, or to excessively aggressive floors/brushes, the safety system stops the brushes/pad-holders after about one minute of continuous overload.

The overload is shown by the three battery warning lights (62) flashing simultaneously.

If the overload takes place when the extra pressure function is on, the system automatically reduces the pressure on the brushes/pad-holders, thus turning the extra pressure function off. If the overload persists, the brushes/pad-holders stop.

To start scrubbing again after a brush/pad-holder stop due to overload, stop the machine by turning the ignition key (58) to "0". Turn on the machine by turning the ignition key (58) to "I".

Battery discharge during operation

1. Until the green warning light (62) turns off, the batteries allow the machine to work normally.
 - When the green warning light turns off and first the yellow warning light then the red warning light turn on, the batteries must be charged.
 - When the yellow warning light turns on the machine residual autonomy will last for a few minutes (depending on the characteristics of the battery).
 - When the red warning light turns on the machine autonomy is over: after a few seconds the brushes/pad-holders are automatically stopped and the deck is automatically lifted. Only vacuum and drive systems still operate, long enough to dry the wet floor and move the machine to the appointed charging area.



CAUTION!

Do not use the machine with discharged batteries, to avoid damaging the batteries and reducing the battery life.



NOTE

In case the machine drive system cannot be used in order to move the machine, see Pushing/Towing The Machine paragraph.

TANK EMPTYING

An automatic float shut-off float (27) turns off the vacuum system when the recovery tank (19) is full.

The vacuum system deactivation is signalled by a sudden increase in the vacuum system motor noise frequency, and the floor is not dried.



CAUTION!

If the vacuum system turns off accidentally (for example, when the float is activated because of a sudden machine movement), to resume the operation: turn off the vacuum system by pressing the switch (65), then open the cover (20) and check that the float inside the grid (27) has gone down to the water level. Then close the cover (20) and turn on the vacuum system by pressing the switch (65).

When the recovery tank (19) is full, empty it according to the following procedure.

Recovery tank emptying

1. Stop the machine by releasing the pedal (4).
2. Lift the brush/pad-holder deck and the squeegee by pressing switch (63).
3. Drive the machine to the appointed disposal area.
4. Empty the recovery tank with the hose (24).
5. Remove the container with debris collection grid (26), empty it and clean it with clean water. Then install it on the suction hose in the tank.
6. Rinse the tank with clean water.

Solution/clean water tank emptying

7. Perform steps 1 to 3 from previous paragraph.
8. Remove the adapter (45) from its housing inside the battery compartment.
9. Install the adapter (A, Fig. 6) on the squeegee vacuum hose (B), then fasten it to the drain tap (C).
10. Turn the ignition key (58) to "I" and turn on the vacuum system with the switch (65).
11. Open the drain tap (C) to drain the tank (22).
The tap (C) is open when it is in the position (D) and it is closed when it is in the position (E).
12. Then, turn off the vacuum system and drain the recovery tank (19) with the hose (24).
13. When the procedure is over, close the drain tap (C), remove the adapter (A) and install the vacuum hose (B) on the squeegee (30).

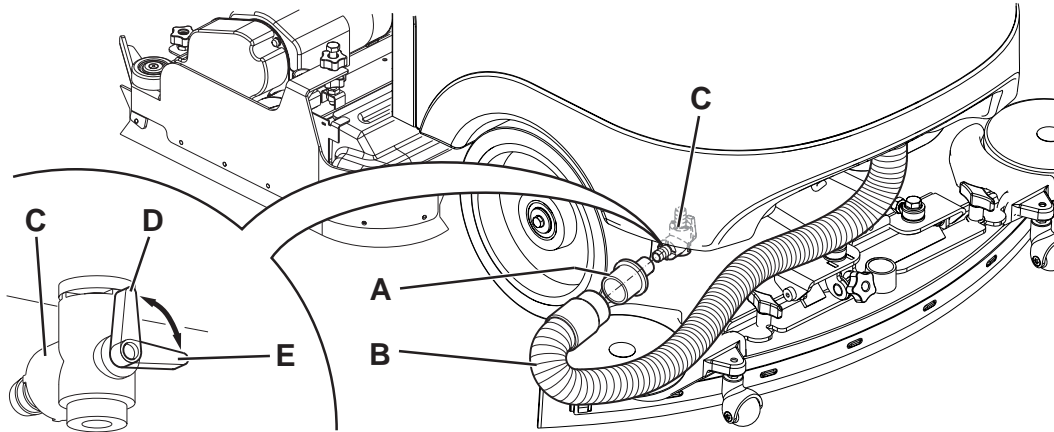


Figure 6

P100440

AFTER USING THE MACHINE

After working, before leaving the machine:

1. Remove the brushes/pad-holders as shown in the relevant paragraph.
2. Empty the tanks (19 and 22) as shown in the previous paragraph.
3. Remove the squeegee (30) and clean it with hot water.
4. Perform the daily maintenance procedures (see the Maintenance chapter).
5. Store the machine in a clean and dry place, with the brushes/pad-holders and the squeegee lifted or removed.

PUSHING/TOWING THE MACHINE

To push/tow the machine easily when the drive system cannot be used (for example in case of missing batteries, discharged batteries, etc.), disengage the electromagnetic brake by pulling the lever (7) and locking it with a spacer.

When the operation is over, remove the spacer under the lever (7) to activate the electromagnetic brake again.



WARNING!

If the lever (7) is not re-engaged, after pushing/towing the machine, the electromagnetic brake is still not active.



WARNING!

Do not start the machine when the electromagnetic brake is disengaged.

For safety reasons, it is recommended to disengage the electromagnetic brake only for the time necessary to manually move the machine.

MACHINE LONG INACTIVITY

1. If the machine is not going to be used for more than 30 days, proceed as follows:
2. Perform the procedures shown in After Machine Use paragraph.
3. Before disconnecting the battery red connector (9) perform the above following procedures:
 - Open the cover (20) and the filler neck (23), then check that the tanks (19 and 22) are empty, otherwise empty them.
 - Keep the recovery tank assembly (19) open by using the stand (25).

FIRST PERIOD OF USE

After the first 8 hours, check the machine fastening and connecting parts for proper tightening. Check the visible parts for integrity and leakage.

MAINTENANCE

The lifespan of the machine and its maximum operating safety are ensured by correct and regular maintenance. The following chart provides the scheduled maintenance. The intervals shown may vary according to particular working conditions, which are to be defined by the person in charge of the maintenance.



WARNING!

The procedures must be performed with the machine off and the battery disconnected. Moreover, carefully read the instructions in the Safety chapter.

All scheduled or extraordinary maintenance procedures must be performed by qualified personnel, or by an authorized Service Center.

This Manual describes only the easiest and most common maintenance procedures.



NOTE

For other maintenance procedures shown in the Scheduled Maintenance Table, refer to the Service Manual that can be consulted at any Clarke Service Center.

SCHEDULED MAINTENANCE TABLE

Procedure	Daily, after using the machine	Weekly	Every six months	Yearly
Battery charging				
Squeegee cleaning				
Brush/pad cleaning				
Tank, debris collection grid and vacuum grid with float cleaning, and cover gasket check				
Chemical Mixing System cleaning and draining (optional)				
Squeegee blade check and replacement				
Solution filter cleaning				
Vacuum system motor filter cleaning				
Battery (WET) fluid level check				
Screw and nut tightening check			(1)	
Electromagnetic brake efficiency check			(2)	
Brush/pad-holder motor carbon brush check or replacement				(2)
Vacuum system motor carbon brush check or replacement				(2)
Drive system motor carbon brush check or replacement				(2)

(1) And after the first 8 working hours.

(2) This maintenance procedure must be performed by a Clarke authorized Service Center.

MACHINE WORKING HOUR CHECK

1. Insert the ignition key (58) and turn it to "I".
2. In the first 2 seconds of machine operation, the display (71) shows the total number of working hours (scrubbing/drying) performed by the machine.
 - Turn the ignition key (58) to "0".

SQUEEGEE CLEANING



NOTE

The squeegee must be clean and its blades must be in good condition for good drying.



CAUTION!

It is advisable to wear protective gloves when cleaning the squeegee because there may be sharp debris.

1. Drive the machine on a level floor.
2. Insert the ignition key (58) and turn it to "I".
3. Lower the squeegee (30) with the switch (65).
4. Turn the ignition key (58) to "0".
5. Disconnect the vacuum hose (31) from the squeegee.
6. Loosen the handwheels (34) and remove the squeegee (30).
7. Wash and clean the squeegee. In particular, clean the compartments (A, Fig. 7) and the vacuum hole (B). Check that the front blade (C) and the rear blade (D) are integral and free from cuts and lacerations; if necessary replace them.
8. Assemble in the reverse order of disassembly.

SQUEEGEE BLADE CHECK AND REPLACEMENT

1. Clean the squeegee (Fig. 7) as shown in the previous paragraph.
2. Check that the edge (E) of the front blade (C) and the edge (F) of the rear blade (D) lay down on the same level, along their length; otherwise adjust their height according to the following procedure:
 - Remove the tie rod (G), disengage the fastener (M) and adjust the rear blade (D); then engage the fastener and install the tie rod.
 - Loosen the handwheels (I) and adjust the front blade (C); then tighten the handwheels.
3. Check the front blade (C) and rear blade (D) for integrity, cuts and tears; if necessary replace them as shown below. Check that the front corner (J) of the rear blade is not worn; otherwise, turn the blade over to replace the worn corner with an integral one. If the other corners are worn too, replace the blade according to the following procedure:
 - Remove the tie rod (G), disengage the fastener (M) and remove the retaining strip (K), then replace/turn over the rear blade (D).
 - Install the blade in the reverse order of removal.
 - Unscrew the handwheels (I) and remove the retaining strip (L), then replace the front blade (C).
 - Install the blade in the reverse order of removal.
 - After the blade replacement (or turning over), adjust the height as shown in the previous step.
4. Connect the vacuum hose (31) to the squeegee.
5. Install the squeegee (30) and screw down the handwheels (34).
6. If necessary, adjust the squeegee balance adjusting handwheel (35).

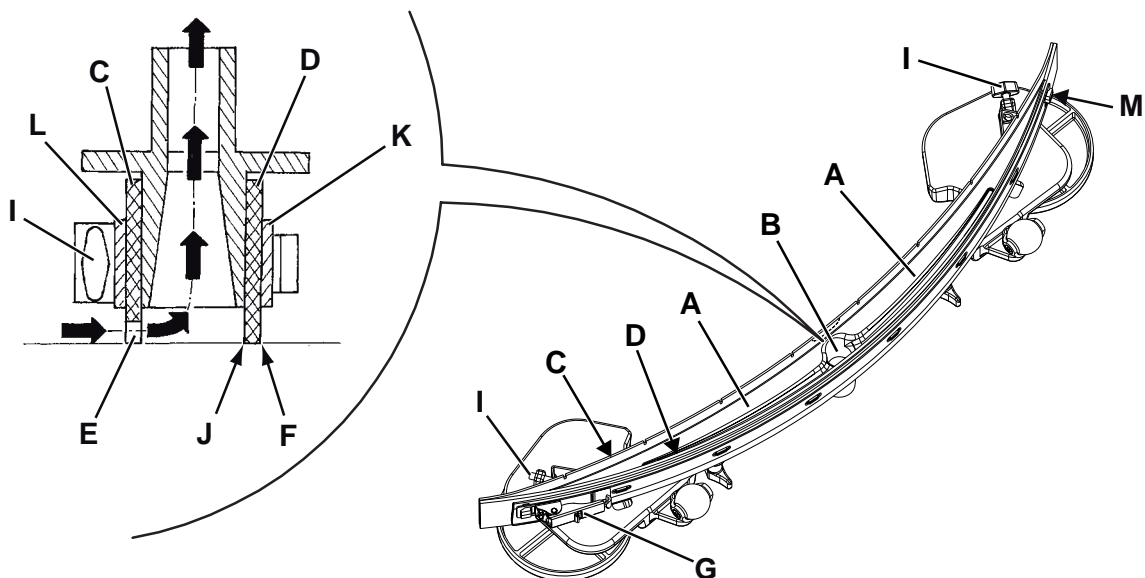


Figure 7

P100441

BRUSH/CYLINDRICAL BRUSH CLEANING



CAUTION!

It is advisable to wear protective gloves when cleaning the brushes because there may be sharp debris.

1. Remove the brushes/pads from the machine, as shown in Use chapter.
2. Clean and wash the brushes with water and detergent.
3. Check the brush bristles for integrity and wear; if necessary, replace the brushes.

RECOVERY TANK CLEANING

1. Drive the machine to the appointed disposal area.
2. Turn the ignition key (58) to "0".
3. Open the cover (20).
4. Wash the cover (20) and the tank (19) with clean water.
 - Drain the water in the tank through the hose (24).
5. Clean the vacuum grid (27), release the fasteners (A, Fig. 8), open the grid (B) and recover the float (C) then clean carefully and reinstall.
6. Clean the container with debris collection grid (26), remove the container (G), remove the cover (H), then clean carefully and reinstall the vacuum hose.
7. Check the tank cover gasket (D) for integrity.



NOTE

The gasket (D) creates vacuum in the tank that is necessary for vacuuming the recovery water.

- If necessary replace the gasket (D) by removing it from its housing (E). When assembling the new gasket, install the joint (F) in the lower area, as shown in the figure.
7. Check that the seating surface (I) of the gasket (D) is integral, clean and adequate for the gasket itself.
 8. Close the cover (20).

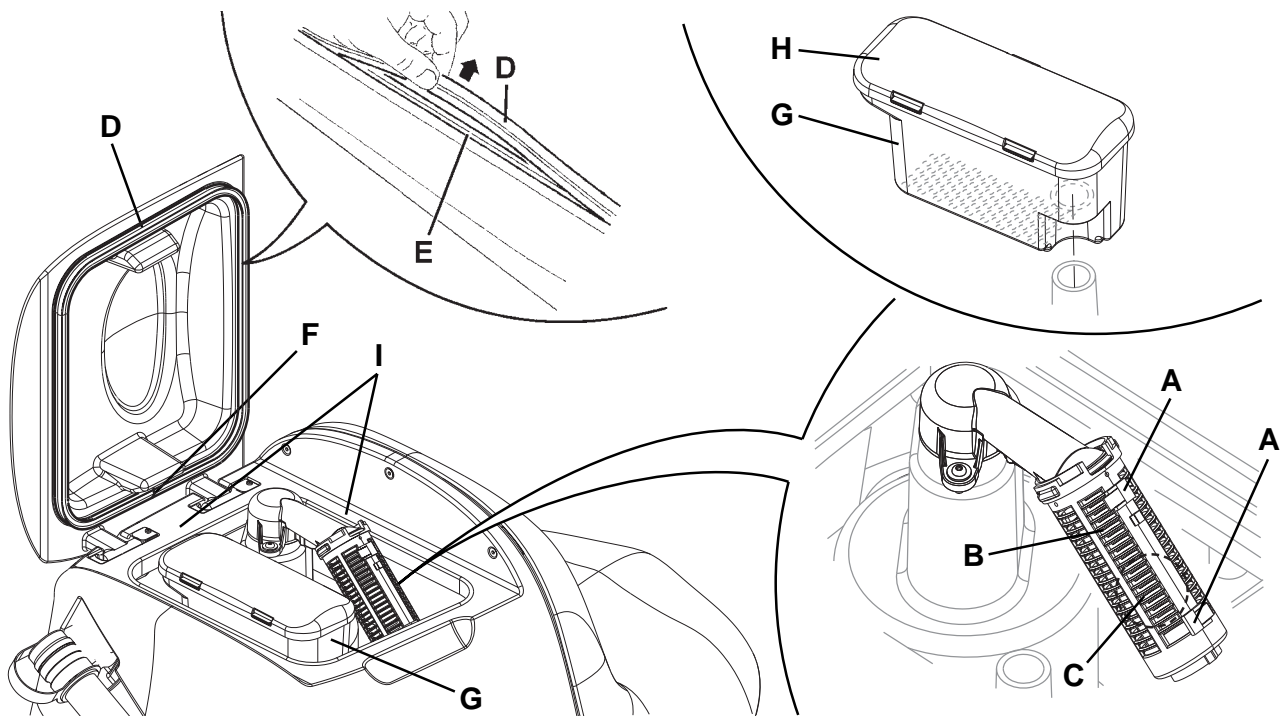


Figure 8

P100442

VACUUM SYSTEM MOTOR FILTER CLEANING

1. Drive the machine on a level floor.
2. Turn the ignition key (58) to "0".
3. Open the cover (20) and check that the recovery tank (19) is empty, otherwise empty it with the drain hose (24).
4. Close the cover (20).
5. Carefully lift the tank assembly (19) from left side.
6. Check that the filter (37) is clean. If necessary clean it with water and compressed air, then reinstall it.

SOLUTION FILTER CLEANING

1. Drive the machine on a level floor.
2. Turn the ignition key (58) to "0".
3. Close the solution tap (A, Fig. 10) under the machine, behind the right rear wheel. The tap (A) is closed when it is in the position (B) and it is open when it is in the position (C).
4. Remove the transparent cover (D) and the gasket (E), then remove the filter strainer (F). Clean them with water and install them on the support (G).



NOTE

The filter strainer (F) must be correctly positioned on the housing (H) of the transparent cover (D).

5. Open the tap (A).

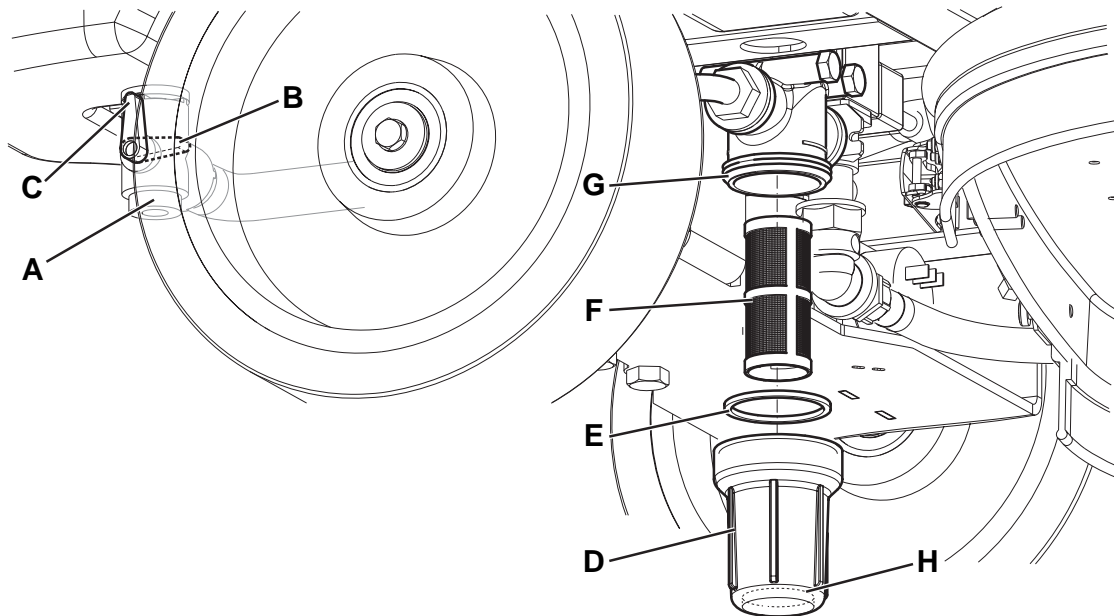


Figure 10

P100444

BATTERY CHARGING



NOTE

Charge the batteries when the yellow or red warning light (62) turns on, or at the end of every working cycle.



CAUTION!

Keeping the batteries charged will extend battery life.



CAUTION!

When the batteries are discharged, charge them as soon as possible, as a discharged state reduces battery life. Check for battery charge at least once a week.



WARNING!

Battery charging produces highly explosive hydrogen gas. Charge the batteries in well-ventilated areas and away from naked flames.

Do not smoke while charging the batteries.

While charging the battery, always keep the tank assembly open with the tank assembly stand (25).



WARNING!

Pay careful attention when charging the batteries as there may be battery fluid leakages. The battery fluid is corrosive. If it comes in contact with skin or eyes, rinse thoroughly with water and consult a physician.

Preliminary operations

1. Drive the machine on a level floor.
2. Open the cover (20) and check that the tank (19) is empty, otherwise empty it with the drain hose (24).
3. Close the cover (20).
4. Carefully lift the tank assembly (19) from left side.
5. (For WET batteries only) Check the level of electrolyte inside the batteries (39). If necessary, unscrew the plugs (40) and fill. When the correct level is reached, close the caps (40) and, if necessary, clean the upper surface of the batteries.

Battery charging

6. Connect the battery charger cable (41) to the electrical mains (the electrical mains voltage and frequency must be compatible with the battery charger values shown on the machine serial number plate).



NOTE

When the battery charger is connected to the electrical mains, all machine functions are automatically cut off.

- The red warning light (62) is on when the battery charger is charging the batteries.
 - The yellow warning light (62) is on when the battery charger is completing the battery charging.
4. When the green warning light turns on, the battery charging is completed.
 5. When the battery charging is completed, disconnect the battery charger cable (41) from the electrical mains and reinstall in its housing in front of the battery charger.
 6. Carefully lower the tank assembly (19).
 7. The machine is now ready to be used.



NOTE

For further information about the operation of the battery charger (16), see the battery charger Manual.

CHEMICAL MIXING SYSTEM DRAINING

(For machines with Chemical Mixing System)

1. To remove the detergent remained in the hoses and in the pump, perform the following procedure.
2. Turn on the machine by turning the ignition key (58) to "I".
3. Press the switch (53). Check that the switch LED (54) turns on.
4. Press the switches (53 and 59) at the same time, until the switch LED (54) starts flashing (after about 5 seconds).
5. Release the switches and wait for the LED (54) to stop flashing and for the vacuum system to turn on.
6. Collect the detergent remaining on the floor.
7. Turn the ignition key (58) to "0".
8. Lift the tank (19), then check that the detergent tank hose (42) is empty, otherwise perform steps 3 to 7 again.



NOTE

As necessary drain the water from the recovery tank (19) through the hose (24).

The draining cycle lasts about 30 seconds, then the vacuum function automatically turns on, which allows the operator to remove the remaining detergent.

The draining cycle can also be performed with the detergent tank (42) full of water, thus cleaning the system thoroughly. It is advisable to perform this type of draining to clean the Chemical Mixing System from dirt and deposits if the machine has not been used/cleaned for a long time.

The draining cycle can also be performed to quickly fill the detergent supply hose when the tank (42) is full but the system is still empty.

If necessary, the draining cycle can be repeatedly performed.

FUSE CHECK/REPLACEMENT



NOTE

All machine electrical circuits are protected by auto-resettable electronic devices. The safety fuses activate only in case of serious damage.

It is recommended to have the fuses replaced by qualified personnel only.

Refer to the Service Manual available at any Clarke Retailer.

SAFETY FUNCTIONS

The machine is equipped with the following safety functions.

EMERGENCY PUSH-BUTTON

It is located in an easily accessible position (8). Press it firmly in case of immediate necessity to stop all machine functions.

To reset the machine operation, lift the tank assembly (19) from the left side and reconnect the battery connector (9).

ANTI-SKID SAFETY SYSTEM

This system reduces the speed when turning and when the machine tilts laterally to avoid sudden skids, thus increasing the machine stability in any condition.



DRIVER'S SEAT MICROSWITCH

It is inside the driver's seat and it prevents machine movement when the operator is not on the seat.

ELECTROMAGNETIC BRAKE

Built into the front wheel and keeps the machine braked when the machine is off or stopped.

TROUBLESHOOTING

TROUBLE	POSSIBLE CAUSE	REMEDY
The motors do not work; no warning light turns on.	The battery connector is disconnected.	Connect.
	The batteries are discharged.	Charge the batteries.
The machine does not move and the display (71) shows the error code: 	The machine has been turned on by using the ignition key and by keeping the pedal pressed.	Release the drive pedal. If the problem persists, contact an authorized Service Center.
At the machine start-up, the LED (64) of the switch (63) flashes and the brushes do not work.	The machine has been turned off without lifting the brush deck.	Before turning on again the brushes by pressing the switch (63), wait till the deck is lifted.
The brushes do not work; the red warning light (62) flashes.	The batteries are discharged.	Charge the batteries.
The 3 warning lights (62) flash simultaneously.	The brush motors are overloaded.	Use less aggressive brushes and/or avoid working with extra pressure turned on.
	There are foreign materials (tangled threads, etc.) preventing the brushes from rotating.	Clean the brush hubs.
The display (71) shows the error code as:  where "00" is replaced by a code different from "t4".	The machine electronic control system is in alarm condition.	Turn off the machine and then turn it on again. If the problem persists, contact an authorized Clarke Service Center.
The dirty water vacuuming is insufficient.	The recovery tank is full.	Empty the tank.
	The vacuum grid is clogged or the float is closing.	Clean the vacuum grid.
	The container with debris collection grid is clogged.	Clean.
	The hose is disconnected from the squeegee.	Connect.
	The squeegee is dirty, or the squeegee blades are worn or damaged.	Clean the squeegee or turn over/replace the blades.
	The tank cover is not properly closed, or the gasket is damaged.	Correctly close the cover or clean/replace the gasket.
The solution flow is insufficient.	The solution tank is empty.	Refill.
	The solution filter is dirty.	Clean the filter.
	The Chemical Mixing System tank (optional) is dirty/clogged.	Clean with the drain cycle.
The squeegee leaves marks on the floor.	There is debris under the squeegee blades.	Remove the debris.
	The squeegee blades are worn, chipped or torn.	Turn over or replace the blades.
	The squeegee pitch needs to be adjusted	Adjust the squeegee.



NOTE

If the machine has a battery charger installed, the machine cannot operate if the charger is not on board. In case of battery charger malfunction, contact an authorized Clarke Service Center.

For further information, contact Clarke Service Centers.

SCRAPPING

Have the machine scrapped by a qualified scrapper.

Before scrapping the machine, remove and separate the following materials, which must be disposed of properly according to Law:

- Batteries
- Brushes
- Plastic hoses and components
- Electrical and electronic components (*)

(*) Refer to the nearest Clarke Service Center especially when scrapping electrical and electronic components.

LEA ESTE LIBRO

Contiene información importante para el uso correcto y seguro de la máquina. Lea este libro completamente antes de arrancar la máquina o hacer cualquier operación de mantenimiento. Si no siga las instrucciones, corre el peligro de herirse o causar lesiones al personal, o causar daños importantes a la máquina o a su entorno. Antes de usar la máquina, es indispensable seguir una formación. Si Usted (o el operador) no habla español, solicite (o proporciónese) todas las informaciones necesarias. El libro está traducido en otros idiomas. Todas las indicaciones de dirección dadas en este libro están dadas desde la posición del operador en la parte de atrás de la máquina. Puede Ud. conseguir libros suplementarios dirigiéndose a su distribuidor Clarke.

ÍNDICE

INTRODUCCIÓN..... 30
 FINALIDAD Y OBJETO DE ESTE MANUAL 30
 DESTINATARIOS 30
 CONSERVACIÓN DEL MANUAL 30
 DATOS DE IDENTIFICACIÓN..... 30
 OTROS MANUALES DE REFERENCIA 30
 PIEZAS DE REPUESTO Y MANTENIMIENTO 30
 MODIFICACIONES Y MEJORAS 30
 CARACTERÍSTICAS DE FUNCIONAMIENTO 30
 CONVENCIONES..... 30

DESEMBALAJE/ENTREGA..... 31

SEGURIDAD 31
 SÍMBOLOS 31
 INSTRUCCIONES GENERALES 31
 SÍMBOLOS 33

DESCRIPCIÓN DE LA MÁQUINA..... 34
 ESTRUCTURA DE LA MÁQUINA..... 34
 PANEL DE CONTROL Y MANDOS 35

ACCESORIOS/OPCIONES 37

DATOS TÉCNICOS..... 37
 ESQUEMA ELÉCTRICO 38

USO..... 40
 CONTROL/PREPARACIÓN DE LAS BATERÍAS EN LA MÁQUINA NUEVA 40
 INSTALACIÓN DE LAS BATERÍAS Y AJUSTE DEL TIPO DE BATERÍAS (WET O GEL/AGM)..... 40
 ANTES DE LA PUESTA EN MARCHA 42
 PUESTA EN MARCHA Y PARADA DE LA MÁQUINA 45
 MÁQUINA EN FUNCIÓN (LAVADO/SECAMIENTO)..... 45
 VACIADO DE LOS DEPÓSITOS..... 47
 DESPUÉS DEL USO DE LA MÁQUINA 48
 DESPLAZAMIENTO DE LA MÁQUINA MEDIANTE EMPUJE/REMOLQUE..... 48
 PERIODO DE LARGA INACTIVIDAD DE LA MÁQUINA..... 48
 PRIMER PERIODO DE USO 49

MANTENIMIENTO 49
 ESQUEMA DE MANTENIMIENTO PROGRAMADO..... 49
 CONTROL DE LAS HORAS DE TRABAJO DE LA MÁQUINA 49
 LIMPIEZA DE LA BOQUILLA..... 50
 CONTROL Y SUSTITUCIÓN DE LOS CAUCHOS DE LA BOQUILLA..... 50
 LIMPIEZA DE LOS CEPILLOS/CEPILLOS CILÍNDRICOS 51
 LIMPIEZA DEL DEPÓSITO DEL AGUA DE RECUPERACIÓN..... 51
 LIMPIEZA DEL FILTRO DEL MOTOR DEL SISTEMA DE ASPIRACIÓN..... 52
 LIMPIEZA DEL FILTRO DE LA SOLUCIÓN DETERGENTE..... 52
 CARGA DE LAS BATERÍAS 53
 EXPURGACIÓN DEL CHEMICAL MIXING SYSTEM 54
 CONTROL/SUSTITUCIÓN DE LOS FUSIBLES 54

FUNCIONES DE SEGURIDAD..... 54
 PULSADOR DE EMERGENCIA..... 54
 SISTEMA DE SEGURIDAD ANTIDERRAPE 54
 MICROINTERRUPTOR DEL ASIENTO DEL CONDUCTOR 54
 FRENO ELECTROMAGNÉTICO 54

BÚSQUEDA AVERÍAS 55

ELIMINACIÓN..... 56

PARTS LIST 85

INTRODUCCIÓN



NOTA

Los números entre paréntesis se refieren a los componentes ilustrados en el capítulo Descripción de la máquina.

FINALIDAD Y OBJETO DE ESTE MANUAL

Este manual contiene todas las informaciones necesarias para que el operador utilice la máquina de forma adecuada, autónoma y segura. Incluye informaciones inherentes a los datos técnicos, la seguridad, el funcionamiento, el almacenamiento, el mantenimiento, las piezas de repuesto y la eliminación.

Antes de efectuar cualquier operación de mantenimiento, los operadores y los técnicos calificados tienen que leer cuidadosamente las instrucciones incluidas en este manual. En caso de dudas sobre la correcta interpretación de las instrucciones, consultar Clarke para obtener explicaciones.

DESTINATARIOS

Este manual es para los operadores y los técnicos encargados del mantenimiento de la máquina.

Los operadores no deben efectuar procedimientos reservados a los técnicos calificados. Clarke no es responsable para los daños causados a la máquina por falta de observación de esta prohibición.

CONSERVACIÓN DEL MANUAL

El Manual de uso debe conservarse junto a la máquina, dentro de su contenedor, lejos de líquidos y otras sustancias que podrían dañarlo.

DATOS DE IDENTIFICACIÓN

El número de serie y el modelo de la máquina están marcados en la placa (21) aplicada a la columna de la dirección.

El año de fabricación de la máquina está en la declaración de conformidad y está también indicado por las dos primeras cifras del número de serie de la máquina misma.

Esta información es necesaria cuando se pidan piezas de repuesto para la máquina. Utilizar el espacio siguiente para escribir los datos de identificación de la máquina.

Modelo MÁQUINA
Número de serie MÁQUINA

OTROS MANUALES DE REFERENCIA

- Manual del cargador de baterías electrónico (parte integrante de este manual, y están disponibles bajo petición)

Los siguientes manuales son también disponibles:

- Manual de asistencia (que se puede consultar cerca de los Centros de asistencia Clarke)
- Catálogo piezas de repuestos (en dotación a la máquina)

PIEZAS DE REPUESTO Y MANTENIMIENTO

Para cualquier necesidad inherente al uso, mantenimiento y reparación, consultar al personal calificado o los Centros de asistencia Clarke. Usar siempre piezas de repuesto y accesorios originales.

Para la asistencia o para ordenar piezas de repuesto y accesorios acudir a Clarke, especificando siempre el modelo y el número de serie de la máquina.

MODIFICACIONES Y MEJORAS

Clarke está constantemente mejorando sus productos y se reserva el derecho de realizar modificaciones y mejoras a su discreción, sin verse obligada a aplicar dichas ventajas a las máquinas vendidas previamente.

Sólo Clarke puede aprobar y efectuar cualquier modificación y/o instalación de accesorios.

CARACTERÍSTICAS DE FUNCIONAMIENTO

La fregadora/secadora es adecuada para limpiar (lavar y secar) suelos lisos y sólidos, en ambiente privado o industrial, en condiciones de seguridad, por parte de un operador calificado.

La fregadora/secadora no es adecuada para limpiar alfombras o moqueta.

CONVENCIONES

En este manual, las indicaciones de adelante, atrás, delantero, trasero, derecho e izquierdo, se refieren al operador en posición de conducción en su asiento (17).

DESEMBALAJE/ENTREGA

Para desembalar la máquina seguir cuidadosamente las instrucciones colocadas sobre el embalaje.

Para desplazar manualmente la máquina, consultar el párrafo Desplazamiento de la máquina mediante empuje/remolque.

Al momento de la entrega, controlar atentamente el embalaje y la máquina por si hayan sufrido daños durante el transporte. Si los daños son evidentes, conservar el embalaje, de forma que el transportista que lo ha entregado lo pueda inspeccionar. Contactarlo de inmediato para compilar una indemnización daños y perjuicios.

Controlar que el equipamiento de la máquina sea el siguiente:

- Documentación técnica:
 - Manual de uso de la fregadora/secadora
 - Manual del cargador de baterías
 - Catálogo piezas de repuestos de la fregadora/secadora
- 2 fusibles laminares
- 1 conector de repuesto del cargador de baterías
- 2 chapitas de ajuste para alojamiento baterías de 6 V

SEGURIDAD

La siguiente simbología sirve para señalar situaciones de peligro potencial. Leer siempre cuidadosamente estas informaciones y tomar las precauciones necesarias para proteger personas y cosas.

Para evitar desgracias, la cooperación del operador es fundamental. Ningún programa de prevención de accidentes resulta eficaz sin la total cooperación de la persona directamente responsable del funcionamiento de la máquina. La mayoría de los accidentes que pueden ocurrir son causados por no observar las reglas de seguridad fundamentales. Un operador cuidadoso y cauto es la mejor garantía para evitar posibles accidentes y resulta más eficaz que cualquier programa de prevención.

SÍMBOLOS



¡PELIGRO!

Indica un peligro con riesgo, incluso mortal, para el operador.



¡ATENCIÓN!

Indica el riesgo potencial de infortunios para las personas o de daños a las cosas.



¡ADVERTENCIA!

Indica una advertencia o una nota sobre una función importante o útil. Tener cuidado de las partes del texto marcadas con este símbolo.



NOTA

Indica una nota sobre una función importante o útil.



CONSULTAS

Indica la necesidad de consultar el Manual de uso antes de efectuar cualquier operación.

INSTRUCCIONES GENERALES

Se describen aquí las advertencias y precauciones específicas por lo que se refiere a los potenciales riesgos de daños a la máquina o a las personas.



¡PELIGRO!

- **Antes de efectuar cualquier operación de limpieza, mantenimiento o sustitución de piezas desconectar el conector de la batería y quitar la llave de encendido.**
- **Sólo los operadores cualificados pueden usar esta máquina.**
- **Tener chispas, llamas y materiales incandescentes lejos de las baterías. Durante el uso normal pueden salir gases explosivos.**
- **Quitarse las joyas cuando se trabaja cerca de los componentes eléctricos.**
- **No trabajar bajo la máquina levantada si ésta no está fijada con los soportes adecuados.**
- **No activar la máquina en un ambiente donde haya polvo, líquidos o vapores nocivos, peligrosos, inflamables y/o explosivos: no usar la máquina para recoger materiales peligrosos.**
- **Cargando las baterías se produce gas hidrógeno muy explosivo. Tener el conjunto de los depósitos abierto durante la carga de la batería y efectuar el procedimiento solo en áreas muy bien ventiladas y lejos de llamas libres.**



¡ATENCIÓN!

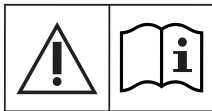
- *Antes de efectuar cualquier operación de mantenimiento/repación, leer cuidadosamente todas las instrucciones relacionadas al mantenimiento/repación.*
- *Antes de usar el cargador de baterías, asegurarse de que la frecuencia y la tensión indicadas en la placa del número de serie de la máquina coincidan con la tensión de la red.*
- *No tirar o transportar la máquina por el cable del cargador de baterías; no utilizar el cable como manilla. No cerrar el cable del cargador de baterías en una puerta o tirarlo sobre bordes o ángulos afilados. No atropellar el cable del cargador de baterías con la máquina.*
- *Tener el cable del cargador de baterías lejos de superficies calientes.*
- *No usar la máquina si el cable del cargador de baterías y el enchufe están dañados. Si la máquina no funciona correctamente, está dañada, quedada al exterior o bañada, llevarla a un Centro de asistencia.*
- *Para reducir el riesgo de incendio, electrochoque o lesiones, no dejar la máquina conectada a la red eléctrica cuando está sin custodia. Antes de efectuar las operaciones de mantenimiento, desconectar el cable del cargador de baterías de la red eléctrica.*
- *No fumar cuando se cargan las baterías.*
- *Para evitar usos no autorizados de la máquina, quitar la llave de encendido.*
- *No dejar la máquina sin custodia y sin haberse asegurado que no pueda moverse de forma autónoma.*
- *Proteger siempre la máquina del sol, lluvia y otras intemperie, tanto durante el funcionamiento como durante los períodos de inactividad. Almacenar la máquina en un lugar cerrado y seco: esta máquina sólo se puede usar en seco y no se debe usar o tener al exterior en condiciones de humedad.*
- *Antes de usar la máquina, cerrar todos los portillos y/o las tapas como indicado en el Manual de uso.*
- *No permitir que la máquina se utilice como un juguete. Tener mucho cuidado cuando se utiliza cerca de niños.*
- *No utilizar con finalidades diferentes de aquellas indicadas en este manual. Usar sólo accesorios recomendados por Clarke.*
- *Tomar todas las precauciones necesarias para que el pelo, las joyas y las ropas no sean capturados por las partes móviles de la máquina.*
- *No usar la máquina sobre pendientes.*
- *No inclinar la máquina con un ángulo superior al valor indicado en la máquina misma, para no perjudicar la estabilidad.*
- *No usar la máquina en ambientes demasiado polvorientos.*
- *Usar la máquina sólo en áreas con suficiente iluminación.*
- *Si se va a usar la máquina en presencia de otras personas, además del operador, es necesario equipar la máquina con la luz rotativa (opcional).*
- *Cuando se usa esta máquina, tener cuidado de salvaguardar la incolumidad de personas y cosas.*
- *No chocar contra estanterías o andamios de los que puedan caer objetos.*
- *No apoyar contenedores de líquidos sobre la máquina.*
- *La temperatura de la máquina en trabajo debe estar entre los 0°C y los +40°C (+32°F y los 104°F).*
- *La temperatura de almacenamiento de la máquina debe estar entre los 0°C y los +40°C (32°F y los 104°F).*
- *La humedad debe estar entre el 30% y el 95%.*
- *Cuando se usan detergentes, seguir las instrucciones y advertencias indicadas en las etiquetas de los frascos.*
- *Cuando se usan detergentes, usar guantes y protecciones adecuadas.*
- *No usar la máquina como vehículo de transporte.*
- *No permitir que los cepillos funcionen mientras la máquina está parada en un punto para evitar posibles daños al suelo.*
- *En caso de incendio usar un extintor de polvo, no de agua.*
- *No adulterar por ninguna razón la máquina, respete escrupulosamente las instrucciones previstas para el mantenimiento ordinario.*
- *No dejar que material extraño entre en las aperturas. No usar la máquina si las aperturas están obstruidas. Las aperturas deben mantenerse libre de polvo, hilacha, pelos y cualquier otro cuerpo extraño que pueda reducir el flujo de aire.*
- *No quitar ni modificar las placas colocadas en la máquina.*
- *Para desplazar manualmente la máquina es necesario desactivar el freno electromagnético. Tras haber desplazado la máquina manualmente, volver a activar el freno electromagnético. Non usar la máquina si el freno electromagnético está desactivado.*
- *Si es necesario desplazar la máquina mediante empuje (falta de baterías, baterías descargadas, etc.) no superar la velocidad de 4 km/h (2,5 mph).*
- *Esta máquina no tiene aprobación para el uso en carreteras o vías públicas.*



¡ATENCIÓN!

- *Tener cuidado durante el traslado de la máquina en condiciones de temperatura muy baja. El agua en el depósito del agua de recuperación o en los tubos, podría congelarse y dañar la máquina.*
- *Utilizar sólo los cepillos y los fieltros suministrados con la máquina o aquellos especificados en el Manual de uso. Utilizar otros cepillos o fieltros puede perjudicar la seguridad.*
- *Cuando la máquina no funciona correctamente, asegurarse de que esto no sea causado por falta de mantenimiento. En caso contrario, pedir la intervención del personal autorizado o del Centro de asistencia autorizado.*
- *Si deben sustituirse piezas, solicitar piezas de repuesto ORIGINALES a un Concesionario y/o Revendedor autorizado.*
- *Para asegurar condiciones de funcionamiento correcto y seguro, el personal autorizado o el Centro de asistencia autorizado debe llevar a cabo el mantenimiento programado según las especificaciones indicadas en el capítulo relacionado de este manual.*
- *No lavar la máquina con chorros de agua directa o presurizada, o con sustancias corrosivas.*
- *Si en la máquina están instaladas baterías de plomo (WET), no inclinar la máquina más de 30° con respecto al plano horizontal para que el líquido corrosivo de las baterías no sobresalga. Cuando es necesario inclinar la máquina para efectuar operaciones de mantenimiento, quitar las baterías.*
- *Nunca se debe abandonar la máquina al final del ciclo vital, por la presencia de materiales tóxicos y dañinos (baterías, aceites, etc.) sujetos a normativas que exigen que se realice la eliminación en centros especiales (véase el capítulo Eliminación).*

SÍMBOLOS



¡ATENCIÓN!

Antes de efectuar cualquier operación en la máquina, leer cuidadosamente las instrucciones de la máquina misma.



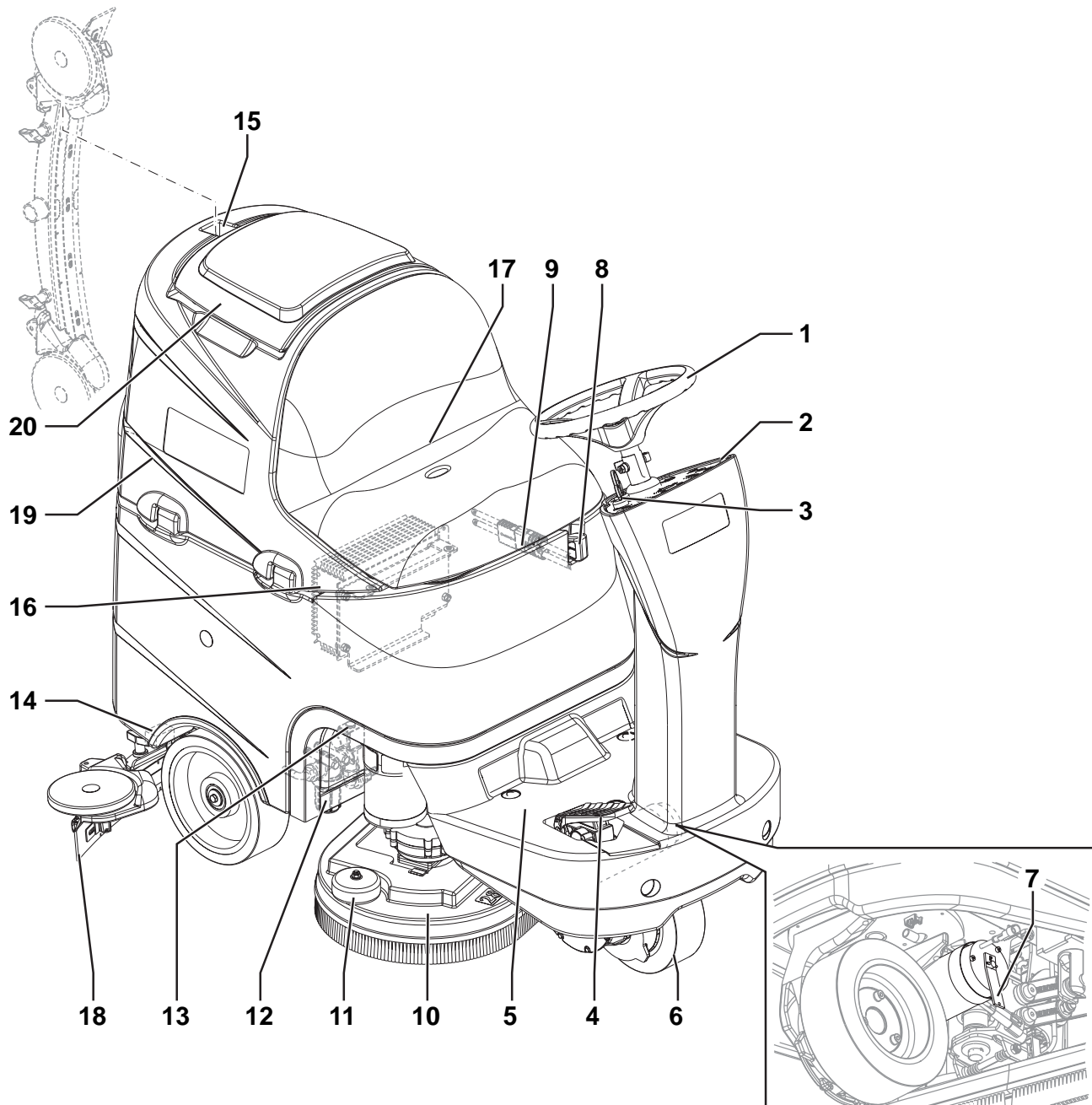
¡ATENCIÓN!

No lavar la máquina con chorros de agua directa o presurizada.

DESCRIPCIÓN DE LA MÁQUINA

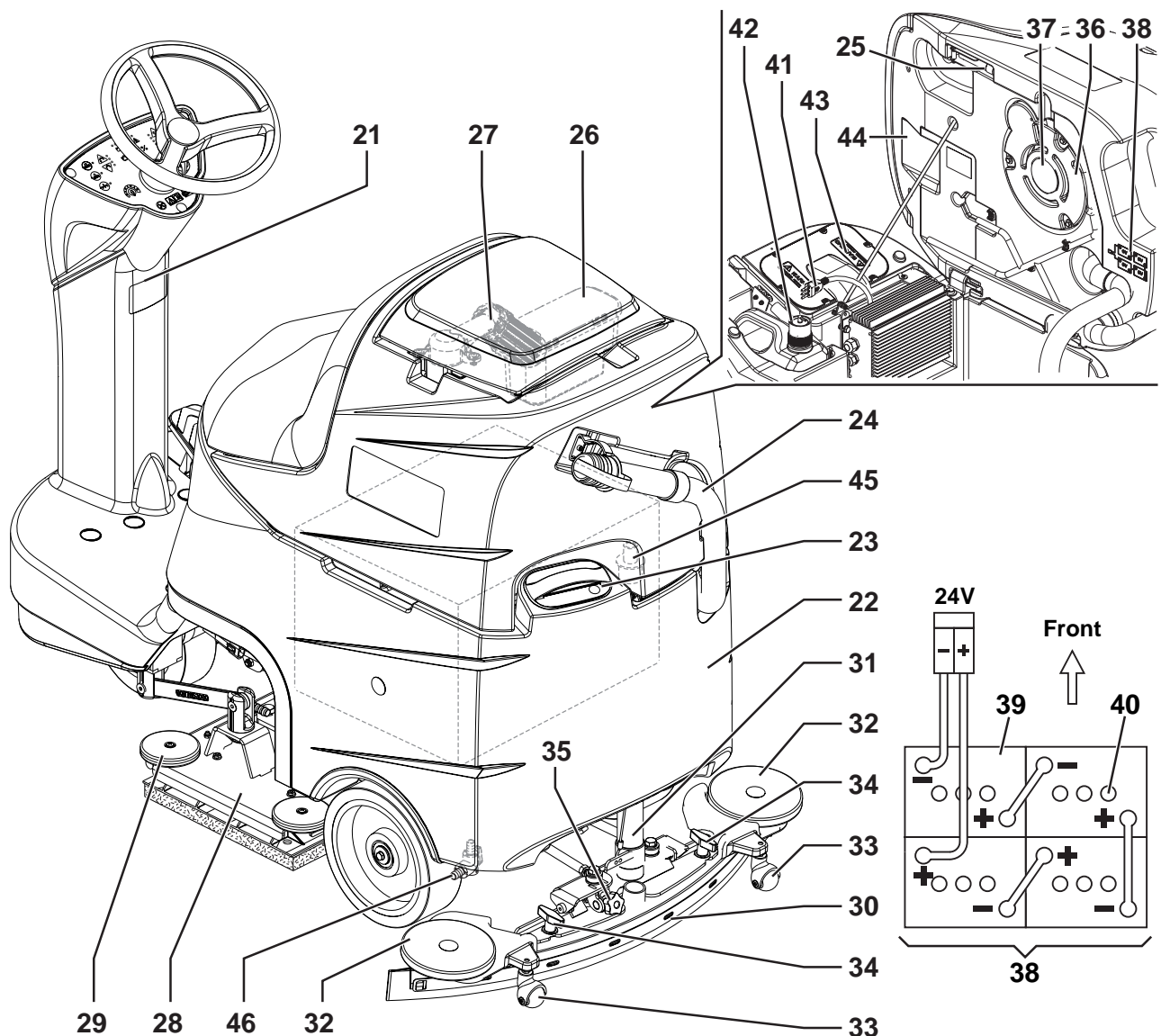
ESTRUCTURA DE LA MÁQUINA

- | | |
|---|--|
| 1. Volante | 11. Paragolpes |
| 2. Panel de control y mandos (véase el párrafo siguiente) | 12. Filtro de la solución detergente |
| 3. Llave de encendido | 13. Electroválvula |
| 4. Pedal de marcha | 14. Grifo de apertura/cierre de la solución detergente/agua limpia |
| 5. Estribo | 15. Gancho para boquilla |
| 6. Rueda delantera directriz, de tracción y frenante | 16. Cargador de baterías |
| 7. Palanca de desbloqueo del freno electromagnético | 17. Asiento |
| 8. Pulsador de emergencia | 18. Conjunto cauchos de la boquilla |
| 9. Conector de las baterías | 19. Conjunto depósito del agua de recuperación |
| 10. Cabezal portacepillos/portafiltros | 20. Tapa del depósito del agua de recuperación |



ESTRUCTURA DE LA MÁQUINA (Sigue)

- 21. Placa número de serie/datos técnicos/marcación de conformidad
 - 22. Depósito de la solución detergente/agua limpia
 - 23. Boca de llenado del depósito de la solución detergente/agua limpia
 - 24. Tubo de descarga del agua de recuperación
 - 25. Pie de soporte del conjunto depósitos
 - 26. Contenedor con rejilla de recogida de residuos
 - 27. Rejilla de aspiración con cierre automático de flotador
 - 28. Cabezal vibrante BOOST®
 - 29. Paragolpes
 - 30. Boquilla
 - 31. Tubo de aspiración de la boquilla
 - 32. Rueda paragolpes de la boquilla
 - 33. Ruedas de apoyo de la boquilla
 - 34. Empuñaduras de fijación de la boquilla
 - 35. Empuñadura de ajuste del equilibrado de la boquilla
 - 36. Motor del sistema de aspiración
 - 37. Filtro del motor del sistema de aspiración
 - 38. Esquema de conexión de las baterías
 - 39. Baterías
 - 40. Tapones de las baterías
 - 41. Cable de alimentación del cargador de baterías
 - 42. Depósito del detergente (*)
 - 43. Tapa del compartimento electrónico
 - 44. Conjunto depósito y asiento de conducción (levantado)
 - 45. Adaptador para descarga de la solución detergente/agua limpia
 - 46. Grifo de descarga de la solución detergente/agua limpia
- (*) Sólo para máquinas con Chemical Mixing System (opcional)



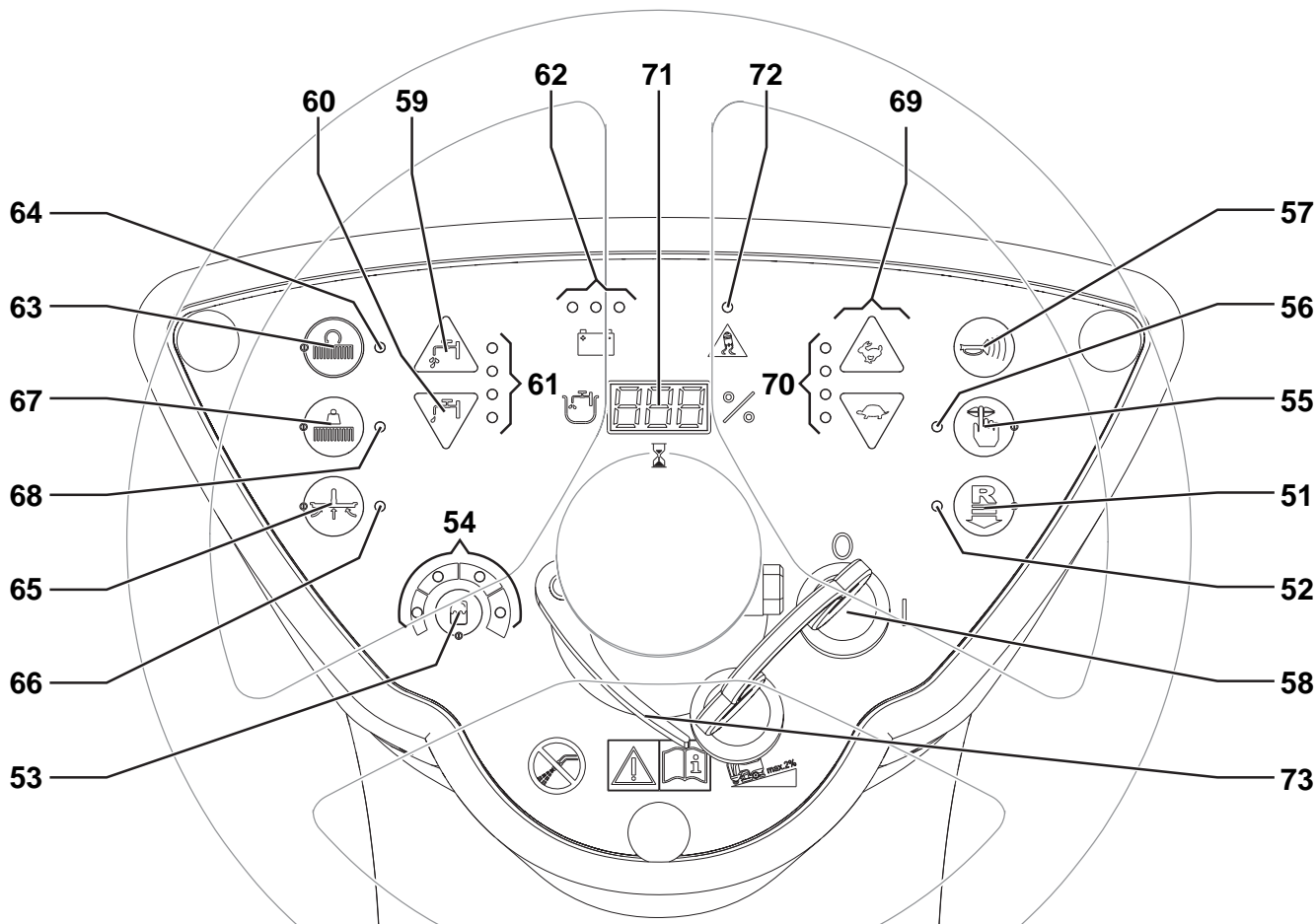
PANEL DE CONTROL Y MANDOS

51. Interruptor de activación/desactivación marcha atrás
52. Indicador LED de activación marcha atrás
53. Interruptor de ajuste de la concentración de detergente en el agua de lavado (*)
54. Indicadores LED de la concentración de detergente en la solución (*)
55. Interruptor de la modalidad silenciosa
56. Indicador LED de la modalidad silenciosa
57. Interruptor de la bocina
58. Llave de encendido
59. Interruptor para aumentar el flujo de solución detergente
60. Interruptor para disminuir el flujo de solución detergente
61. Indicadores LED cantidad de flujo de la solución detergente
62. Indicadores LED de carga de las baterías
 - LED verde - baterías cargadas
 - LED amarillo - baterías casi descargadas
 - LED rojo - baterías descargadas
63. Interruptor de subida/bajada cabezal portacepillos/portafiltros y boquilla
64. Indicador LED de subida/bajada cabezal portacepillos/portafiltros y boquilla
65. Interruptor de subida/bajada de la boquilla y del sistema de aspiración
66. Indicador LED de subida/bajada de la boquilla y del sistema de aspiración
67. Interruptor presión suplementaria
68. Indicador LED presión suplementaria
69. Interruptores de ajuste de la velocidad de marcha (activos sólo con cepillos en función)
70. Indicadores LED de la velocidad de marcha
71. Visualizador cuentahoras y nivel solución detergente:
 - A la puesta en marcha de la máquina indica, por unos segundos, las horas de trabajo efectuadas.
 - Durante el uso de la máquina indica el nivel de detergente/agua limpia en el depósito (en porcentual).
 - Cuando el nivel es superior a 90% el visualizador indica "FUL".
 - Cuando el nivel es inferior a 30% el visualizador indica "LO".
 - Cuando el depósito está vacío, la indicación "LO" empieza a parpadear.
72. Indicador LED de activación control antiderrape
73. Palanca de ajuste de la altura del volante



NOTA

La indicación "LO" intermitente puede aparecer antes de que el depósito esté completamente vacío, por lo tanto se puede todavía efectuar las últimas fases de trabajo, controlando siempre el flujo de solución detergente a los cepillos.



ACCESORIOS/OPCIONES

Además de los componentes instalados en la versión estándar, la máquina puede equiparse con los siguientes accesorios/ opciones, según el uso específico:

- Baterías GEL/AGM
- Cepillos y cepillos cilíndricos de diferentes materiales
- Filtros de diferentes materiales
- Cauchos de la boquilla de diferentes materiales
- Chemical Mixing System
- Luz intermitente
- Conjunto "mop and trash"
- Motor sistema de tracción de 0,9 HP (670 W)

Para informaciones suplementarias sobre estos accesorios opcionales, acudir al Revendedor autorizado.

DATOS TÉCNICOS

Datos técnicos generales

Descripción	FOCUS II MICRO RIDER 26D	FOCUS II MICRO RIDER 28 BOOST
Anchura de barrido	660 mm (26 in)	710 mm (28 in)
Anchura de la boquilla	890 mm (35 in)	
Capacidad del depósito de la solución detergente/agua limpia	80 litros (21 USgal)	
Flujo de la solución detergente	de 1 a 3 litros/min (de 0,26 a 0,8 USgal/min)	
Diámetro ruedas traseras en eje fijo	250 mm (9,8 in)	
Presión específica al suelo de la rueda delantera	0,5 N/mm ² (72 psi)	
Presión específica al suelo de las ruedas traseras	0,9 N/mm ² (130 psi)	
Diámetro rueda delantera directriz, de tracción y frenante	225 mm (8,8 in)	
Potencia del motor del sistema de aspiración	420 W (0,56 HP)	
Potencia del motor del sistema de tracción	300 W (0,4 HP)	
Velocidad máxima	6 km/h (3,7 mph)	
Inclinación máxima de trabajo	2% (1,14°)	
Nivel sonoro a la oreja del operador (ISO 11201, ISO 4871, EN 60335-2-72) (LpA)	65 dB(A) ± 3 dB(A)	
Potencia acústica de la máquina (ISO 3744, ISO 4871, EN 60335-2-72) (LwA)	82 dB(A)	83 dB(A)
Nivel de vibraciones transmitidas a los brazos del operador (ISO 5349-1, EN 60335-2-72)	< 2,5 m/s ² (< 98,4 in/s ²)	
Nivel de vibraciones transmitidas al cuerpo del operador (ISO 2631-1, EN 60335-2-72)	0,8 m/s ² (3,1 in/s ²)	
Dimensiones compartimiento baterías (longitud x anchura x altura)	380 x 540 x 300 mm (14,9 x 21,2 x 11,8 in)	
Tipo de baterías	4 baterías de 6 V, 180 Ah C5 (WET)	
	4 baterías de 6 V, 180 Ah C5 (GEL/AGM)	
Vacío del sistema de aspiración	1.000 mmH ₂ O (0,0098 MPa)	
Altura de la máquina	1.230 mm (48,4 in)	
Longitud máxima de la máquina	1.360 mm (53,5 in)	
Radio mínimo de viraje	1.500 mm (59,0 in)	
Anchura de la máquina sin boquilla	670 mm	730 mm

Datos técnicos con cabezal portacepillos/portafiltros

Descripción	FOCUS II MICRO RIDER 26D
Diámetro cepillo/filtro	330 mm (13,0 in)
Peso sin baterías y con los depósitos vacíos	175 kg (385,8 lb)
Peso máximo con baterías, depósitos llenos y operador (GVW)	459 kg (1.012 lb)
Potencia del motor del cepillo/portafiltro	2 x 400 W (2 x 0,53 HP)
Velocidad de rotación cepillo/portafiltro	230 rpm
Presión de los cepillos/portafiltros con presión suplementaria desactivada	30 kg (66,1 lb)
Presión de los cepillos/portafiltros con presión suplementaria activada	48 kg (105,8 lb)

Datos técnicos con cabezal BOOST®

Descripción	FOCUS II MICRO RIDER 28 BOOST
Dimensiones cepillo	711 x 355,6 mm (28 x 14 in)
Peso sin baterías y con los depósitos vacíos	182 kg (401 lb)
Peso máximo con baterías, depósitos llenos y operador (GVW)	466 kg (1.027 lb)
Potencia del motor del cabezal BOOST®	560 W (0,75 HP)
Velocidad de rotación del motor	2.200 rpm
Presión del cabezal BOOST® con presión suplementaria desactivada	37 kg (81,5 lb)
Presión del cabezal BOOST® con presión suplementaria activada	55 kg (121 lb)

ESQUEMA ELÉCTRICO

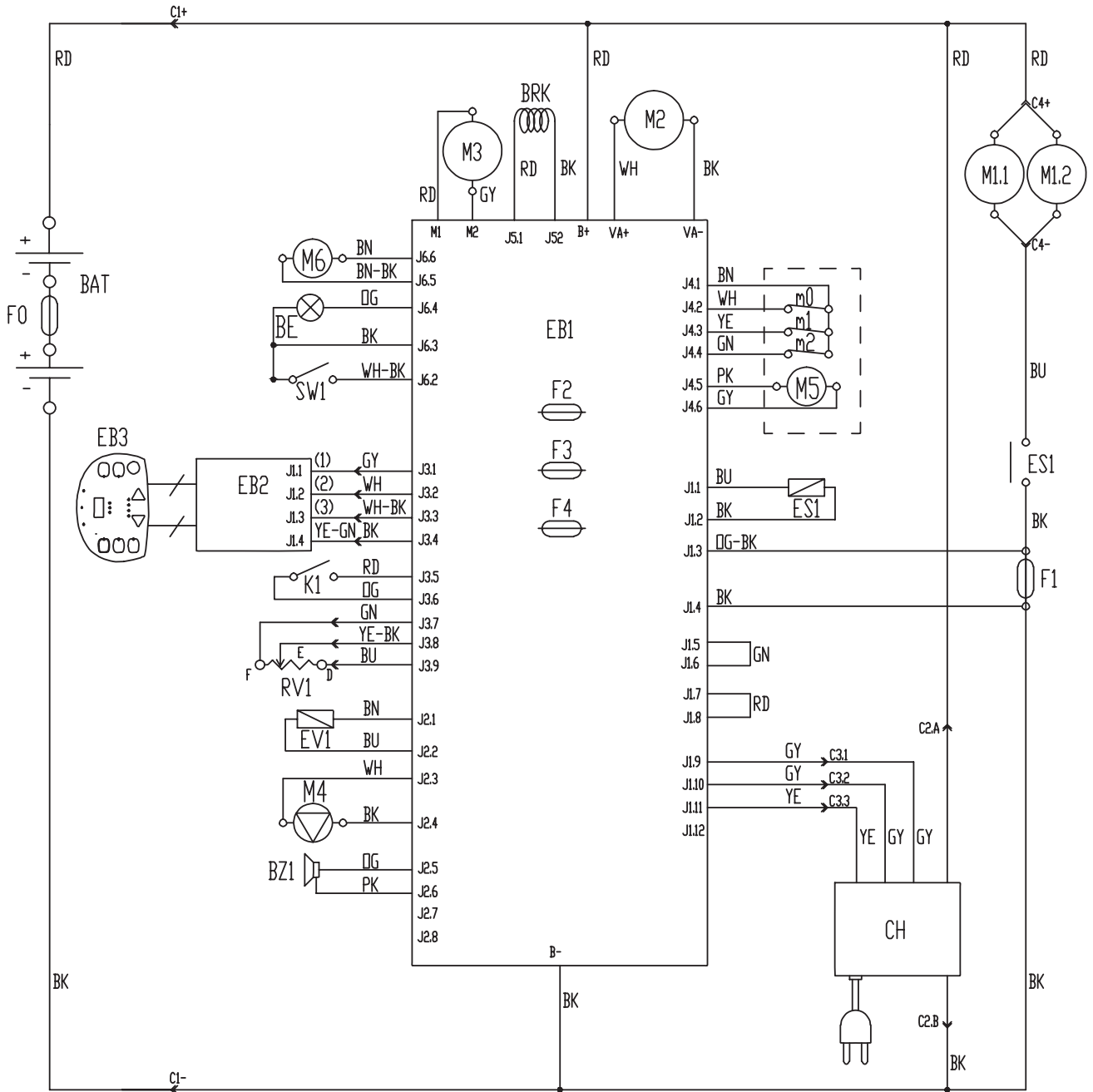
Leyenda

BAT	Baterías de 24 V
BE	Luz intermitente (opcional)
BRK	Freno electromagnético
BZ1	Avisador acústico de marcha atrás/bocina
C1	Conector de las baterías
C2	Conector principal del cargador de baterías
C3	Conector secundario del cargador de baterías
C4	Conector del cabezal portacepillos
CH	Cargador de baterías
EB1	Tarjeta electrónica funciones
EB2	Tarjeta electrónica del visualizador
EB3	Tarjeta electrónica serigrafía tablero de instrumentos
ES1	Telerruptor motores cepillos
EV1	Electroválvula
F0	Fusible batería
F1	Fusible cabezal portacepillos
F2	Fusible tarjeta electrónica principal
F3	Fusible circuitos de señal
F4	Fusible actuadores
K1	Conmutador de arranque
M1.1,2	Motor cepillo
M2	Motor del sistema de aspiración
M3	Motor del sistema de tracción
M4	Bomba del detergente (opcional)
M5	Motor actuador cabezal portacepillos
m0	Microinterruptor posición 0 actuador portacepillos (elevado)
m1	Microinterruptor posición 1 actuador portacepillos (normales)
m2	Microinterruptor posición 2 actuador portacepillos (presión suplementaria)
M6	Motor actuador boquilla
PR1	Presóstato nivel solución detergente/agua limpia (en EB1)
RV1	Potenciómetro pedal de marcha
SW1	Microinterruptor asiento de conducción

Códigos color

BK	Negro
BU	Azul
BN	Marrón
GN	Verde
GY	Gris
OG	Anaranjado
PK	Rosado
RD	Rojo
VT	Morado
WH	Blanco
YE	Amarillo

ESQUEMA ELÉCTRICO (Sigue)



P100434

USO**¡ATENCIÓN!**

En unas partes de la máquina hay unas placas adhesivas que indican:

- PELIGRO
- ATENCIÓN
- ADVERTENCIA
- CONSULTAS

Leyendo este manual, el operador tiene que aprender el sentido de los símbolos indicados en las placas. Por ninguna razón estas placas deben cubrirse y si están dañadas tienen que sustituirse de inmediato.

CONTROL/PREPARACIÓN DE LAS BATERÍAS EN LA MÁQUINA NUEVA**¡ATENCIÓN!**

Si no se instalan correctamente las baterías, los componentes eléctricos de la máquina podrían dañarse. Sólo el personal calificado puede efectuar la instalación de las baterías. Según el tipo de baterías instalado (WET o GEL/AGM), ajustar la tarjeta electrónica funciones.

Antes de la instalación de las baterías, controlar que no estén dañadas.

Desconectar el conector de las baterías o el enchufe del cargador de baterías.

Desplazar las baterías con mucho cuidado.

Instalar las tapas de protección de los terminales de las baterías, en dotación a la máquina.

La máquina necesita 4 baterías de 6 V, conectadas según el esquema (38).

La máquina puede ser entregada con las siguientes configuraciones:

Baterías (WET o GEL/AGM) instaladas en la máquina y listas para ser usadas

1. Abrir la tapa (20) y controlar que el depósito del agua de recuperación (19) esté vacío, si no vaciarlo mediante el tubo de descarga (24).
2. Cerrar la tapa (20).
3. Abrir con cuidado el conjunto depósito (19) desde el lado izquierdo.
4. Controlar que las baterías estén conectadas a la máquina mediante el conector (9).
5. Bajar con cuidado el conjunto depósito (19).
6. Introducir la llave de encendido (58) y colocarla en la posición "I". Si el LED verde (62) se enciende, las baterías están cargadas y pueden utilizarse. Si se enciende el LED amarillo o rojo es necesario cargar las baterías (véase el procedimiento en el capítulo Mantenimiento).

Sin baterías

1. Comprar baterías adecuadas (véase el párrafo Datos técnicos).
 - Para escoger e instalar las baterías, acudir a un Revendedor calificado.
2. Regular la máquina según el tipo de baterías instalado (WET o GEL/AGM) (véase el párrafo siguiente).
3. Instalar las baterías (véase el párrafo siguiente).
4. Cargar las baterías.

INSTALACIÓN DE LAS BATERÍAS Y AJUSTE DEL TIPO DE BATERÍAS (WET O GEL/AGM)**Instalación de las baterías**

1. Abrir la tapa do conjunto depósito (20) y controlar que el depósito del agua de recuperación (19) esté vacío, si no vaciarlo mediante el tubo de descarga (24).
2. Cerrar la tapa (20).
3. Abrir con cuidado el conjunto depósito (19).
4. Instalar las baterías y conectarlas según el esquema (38).

Ajuste del tipo de baterías

Según el tipo de baterías instalado (WET o GEL/AGM) efectuar el ajuste de la tarjeta electrónica de la máquina y del cargador de baterías según el procedimiento siguiente:

- Llevar la llave de encendido (58) en la posición "I" y detectar el ajuste actual en los primeros segundos de funcionamiento de la máquina, el número de parpadeos de las luces de aviso (62), según la tabla siguiente:

AJUSTE	VISUALIZADOR (71)	INDICACIÓN LED BATERÍAS (62)	TIPO DE BATERÍA	CORRIENTE DE CARGA
1	WET 20A	4 parpadeos del LED rojo	WET	ESTÁNDAR
2	GEL 20A	4 parpadeos del LED verde	GEL-AGM	
3	GEE 20A	4 parpadeos del LED amarillo	GEL tipo EXIDE®	
4	WET 15A	2 parpadeos del LED rojo	WET	REDUCIDA (véase Nota)
5	GEL 15A	2 parpadeos del LED verde	GEL-AGM	
6	GEE 15A	2 parpadeos del LED amarillo	GEL tipo EXIDE®	

- Si es necesario, cambiar el ajuste según el procedimiento siguiente.
- Apagar la máquina colocando la llave de encendido (58) en la posición "0".
- Pulsar contemporáneamente y mantener pulsados los interruptores (63) y (65), luego colocar la llave de encendido (58) en la posición "I".
- Soltar los interruptores (63) y (65) después de 5 segundos tras la puesta en marcha de la máquina.
- Dentro de 3 segundos pulsar de nuevo brevemente los interruptores (65) para pasar al ajuste siguiente (de 1 a 6 en sucesión cíclica).



NOTA

Durante los pasos 9 y 10, las regulaciones se visualizan también en el visualizador (71) mediante el código en la tabla.



NOTA

Si se usan baterías con capacidad inferior a 160Ah@5h (en caso de duda véase la documentación de las baterías), para evitar el excesivo sobrecalentamiento de las baterías durante la carga, usar la corriente de carga REDUCIDA mediante los ajustes 4, 5 o 6 indicados en la tabla, según el tipo de baterías instalado.



NOTA

El cargador de baterías de a bordo se ajusta según el tipo de baterías.

Carga de las baterías

- Cargar las baterías (véase el capítulo Mantenimiento).

ANTES DE LA PUESTA EN MARCHA



¡ATENCIÓN!

Cada vez que se enciende la máquina, controlar que no hay cuerpos extraños entre el cabezal (5, 10 y 28) y la máquina o entre la boquilla (30) y la máquina, que puedan obstaculizar el levantamiento del cabezal o de la boquilla. Este control es necesario porque, si la máquina fue apagada sin haber levantado el cabezal portacepillos y la boquilla, cuando se va a poner de nuevo en marcha la máquina, el cabezal y la boquilla se levantan automáticamente.

Instalación/remoción de los portafiltros (para FOCUS II MICRO RIDER 26D)

En la máquina predispuesta con el cabezal adecuado, se pueden instalar tanto cepillos (A, Fig. 1) como portafiltros (B) con filtros (C).

Para la instalación/remoción, efectuar el procedimiento siguiente.



¡ATENCIÓN!

Antes de pulsar el interruptor (63), comprobar siempre que no hay cuerpos extraños entre el cabezal (10) y la máquina que puedan obstaculizar el levantamiento del cabezal mismo.

1. Levantar el cabezal pulsando el interruptor (63).
2. Colocar la llave de encendido (58) en la posición "0".
3. Desplazar manualmente a la izquierda el conjunto del cabezal, luego desenganchar la palanca (D) y desmontar las coberturas (E) y (F) del cabezal.
4. Instalar los cepillos/portafiltros en el cubo arrastrador (G) del cabezal empujándolos hacia arriba hasta que se enganchen.
5. Para quitar los cepillos/portafiltros efectuar los pasos de 1 a 3, luego desengancharlos del cubo empujando con fuerza hacia abajo.



¡ATENCIÓN!

El uso de la máquina no perfectamente montada puede causar lesiones a personas y daños a los aparatos. Controlar siempre que todos los componentes estén instalados, antes de poner en marcha la máquina. Controlar con cuidado la máquina antes de usarla.

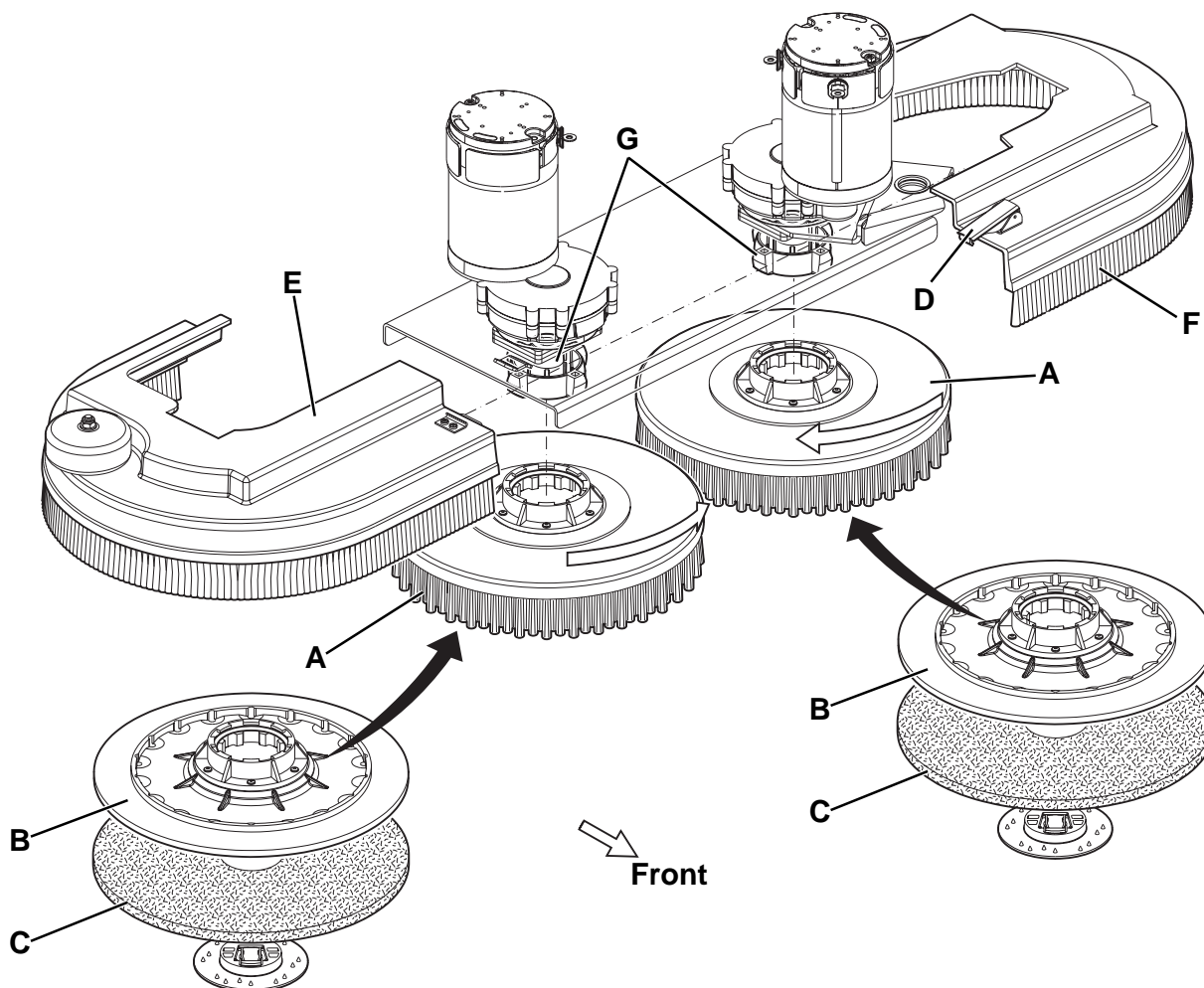


Figura 1

P100435

Tipos de cepillos disponibles y guía para su aplicación (sólo sugerencias)

Modelos	HEAVY GRIT	LITE GRIT	MEDIUM GRIT	POLY	SOFT NYLON	UNIVERSAL BRUSH 5K
Limpieza general:						
Hormigón						
Suelo terraza						
Baldosas de cerámica/de cantera						
Mármol						
Baldosas de vinilo						
Baldosas de caucho						
Lustrado:						
Baldosas de caucho						
Mármol						
Baldosas de vinilo						

Instalación/remoción de los fieltros (para FOCUS II MICRO RIDER 28 BOOST®)

Según el tipo de suelo, en la máquina con cabezal BOOST® se pueden instalar fieltros.

1. Introducir la llave de encendido (58) y colocarla en la posición "I".



¡ATENCIÓN!

Antes de pulsar el interruptor (63), comprobar siempre que no hay cuerpos extraños entre el cabezal (28) y la máquina que puedan obstaculizar el levantamiento del cabezal mismo.

2. Levantar el cabezal pulsando el interruptor (63).
3. Colocar la llave de encendido (58) en la posición "0" y quitarla.
4. Instalar el fieltro (A, Fig. 3) de forma que se engrane con las placas del cabezal BOOST®.
5. Para quitar el fieltro efectuar los pasos de 1 a 3, luego desenganchar manualmente el fieltro de la placa del cabezal.

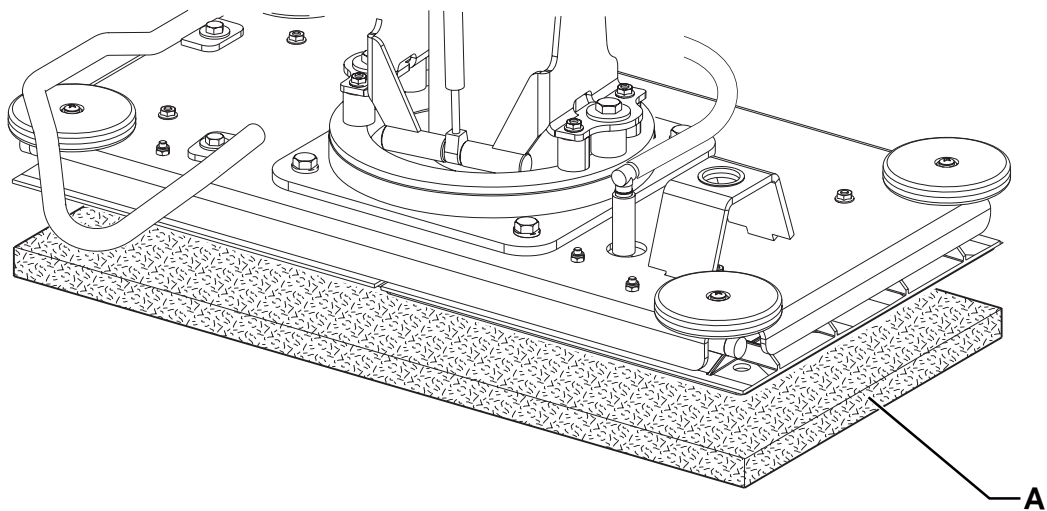


Figura 3

P100437

Instalación de la boquilla

6. Instalar la boquilla (30) y fijarla con las empuñaduras (34), luego conectar el tubo de aspiración (31) a la boquilla.
7. Mediante la empuñadura (35) ajustar la boquilla de forma que los cauchos (18) toquen el suelo por toda su longitud y que el caucho delantero esté ligeramente desprendido del suelo.

Llenado del depósito de la solución detergente/agua limpia



NOTA

Si la máquina está equipada con Chemical Mixing System (opcional) verter agua limpia en el depósito, si no verter la solución detergente.



¡ADVERTENCIA!

Usar exclusivamente detergentes líquidos poco espumosos y no inflamables, que sean adecuados para este tipo de máquina.



¡ATENCIÓN!

Cuando se usan detergentes, seguir las instrucciones y advertencias indicadas en las etiquetas de los frascos. Cuando se usan detergentes, usar guantes y protecciones adecuadas.

1. Abrir la boca de llenado (23).
2. **(Para máquinas sin Chemical Mixing System)**
Rellenar el depósito (22) con una solución detergente adecuada.
No llenar completamente el depósito (22), dejar unos centímetros del borde de la boca de llenado (23).
Seguir las instrucciones indicadas en la etiqueta para la dilución del producto químico usado para componer la solución detergente.
La temperatura de la solución detergente no debe superar los 40°C (104°F).
- (Para máquinas con Chemical Mixing System)**
Llenar el depósito (22) con agua limpia.
No llenar completamente el depósito (22), dejar unos centímetros del borde de la boca de llenado (23).
La temperatura del agua no debe superar los 40°C (104°F).

Sustitución del depósito del detergente (para máquinas con Chemical Mixing System)

1. Abrir la tapa (20) y controlar que el depósito del agua de recuperación (19) esté vacío, si no vaciarlo mediante el tubo de descarga (24).
2. Cerrar la tapa (20).
3. Abrir con cuidado el conjunto depósito (19) desde el lado izquierdo.
4. Desenroscar el tapón del depósito del detergente (42).
5. Quitar el depósito vacío y sustituirlo con uno nuevo.
6. Colocar correctamente el tubo y enroscar el tapón del depósito del detergente.



NOTA

Si el tubo del depósito del detergente está vacío (en caso de sistema nuevo, de sistema vaciado, etc.), para acelerar el procedimiento de llenado del tubo, podría ser útil efectuar uno o más ciclos de expurgación del Chemical Mixing System (véase el procedimiento en el capítulo Mantenimiento).

Ajuste del asiento de conducción

1. Con la palanca (1) ajustar la altura del volante (73) en la posición más confortable para el operador.

PUESTA EN MARCHA Y PARADA DE LA MÁQUINA

Puesta en marcha de la máquina

1. Preparar la máquina como indicado en el párrafo antecedente.
2. Colocar la llave de encendido (58) en la posición "I" y pisar el pedal de marcha (4). Controlar si el LED verde del indicador de carga de las baterías (62) se enciende.
 - Si se enciende el indicador luminoso amarillo o rojo, colocar de nuevo la llave de encendido (58) en la posición "0", luego cargar las baterías (véase el procedimiento en el capítulo Mantenimiento).
3. Llegar al lugar de trabajo, conduciendo la máquina con ambos las manos sobre el volante (1) y pisando el pedal (4).
4. La marcha atrás se selecciona mediante el interruptor (51, LED 52 encendido).
5. Para volver a la marcha delante pulsar de nuevo el interruptor (51, LED 52 apagado).



NOTA

El asiento (17) está equipado de un sensor de seguridad para permitir que la máquina se mueva mediante el pedal (4) sólo cuando el operador está sentado en el asiento mismo.



NOTA

La máquina está equipada de un sistema de seguridad antiderrape [LED (72) intermitente] que reduce la velocidad de marcha durante las vueltas y en caso de inclinación de la máquina, independientemente de la presión sobre el pedal. La reducción de velocidad durante las vueltas, por lo tanto, no es un funcionamiento incorrecto, sino una característica que aumenta la estabilidad y la seguridad de la máquina en cada condición.

6. Bajar el cabezal portacepillos/portafiltros y la boquilla pisando el interruptor (63).
7. Colocar los interruptores de ajuste del flujo de la solución detergente (59 y 60) en la posición más adecuada según la cantidad de trabajo de efectuar.
8. Empezar el trabajo, conduciendo la máquina con ambos las manos sobre el volante (1) y pisando el pedal (4).
 - Ajustar la velocidad de la máquina con los interruptores (69) según la necesidad o el trabajo que se debe efectuar.



NOTA

La máquina está equipada de un sistema de seguridad que permite activar los cepillos y el sistema de aspiración sólo cuando la máquina se mueve.

Parada de la máquina

9. Soltar el pedal (4).
10. No es necesario bloquear la máquina durante la parada o el estacionamiento, porque el freno electromagnético frena automáticamente la máquina cuando no se pisa el pedal de marcha.
11. Levantar el cabezal portacepillos/portafiltros y la boquilla pisando el interruptor (63).

MÁQUINA EN FUNCIÓN (LAVADO/SECAMIENTO)

1. Poner en marcha la máquina como indicado en el párrafo antecedente.
2. Si necesario, cambiar la cantidad de solución detergente que llega a los cepillos con los interruptores (59 y 60).
3. Si necesario, para reducir el ruido, activar la modalidad silenciosa pulsando el interruptor (55).



NOTA

La modalidad silenciosa se reducirá el rendimiento de aspiración al vacío, por lo que se sugiere utilizar la función de silencio sólo en suelos lisos y sin fugas.



NOTA

Para un correcto lavado/secamiento de los suelos en los bordes de las paredes, Clarke sugiere acercarse con el lado derecho de la máquina como indicado en la figura 4.

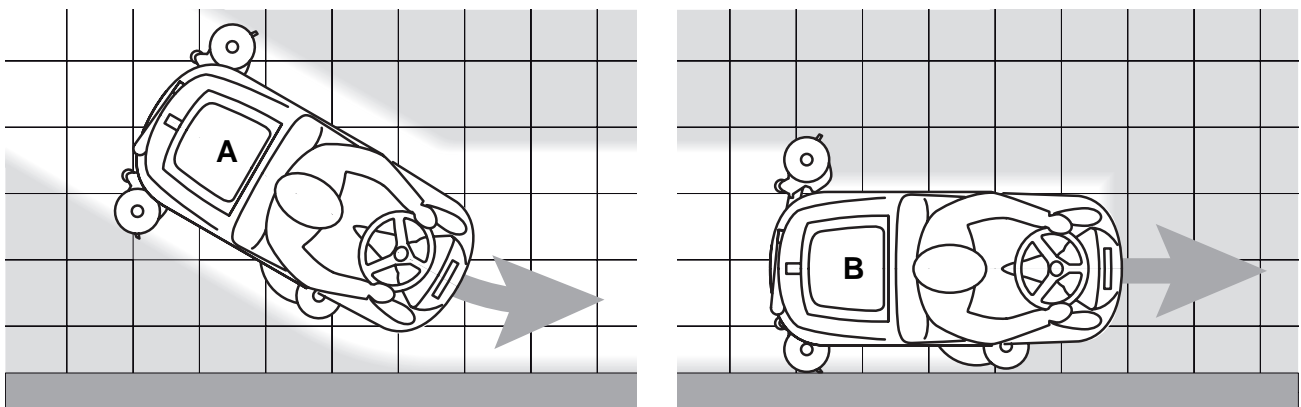


Figura 4

P100438

Ajuste de la boquilla

1. Si necesario, parar la máquina y ajustar la empuñadura de ajuste del equilibrado de la boquilla (35) de forma que el caucho trasero toque el suelo por toda su longitud.

Ajuste de la concentración del detergente en la solución detergente

(Para máquinas con Chemical Mixing System)

El sistema para mezclar el detergente al agua se activa pulsando el interruptor de ajuste del porcentaje de detergente (A, Fig. 5): con el LED encendido el detergente se añade al agua de lavado.

1. La concentración media de detergente ajustada cambia en correspondencia del LED sector (B) iluminado, como indicado en la figura 5.
2. Pulsar varias veces el interruptor (A) para cambiar la concentración de detergente hasta llegar al valor deseado, o resetear el detergente (todos los LED apagados).



NOTA

El ajuste del porcentaje de detergente queda memorizado también después del apagamiento de la máquina.



NOTA

La concentración de detergente se queda constante aún si se varia el flujo del agua de lavado con los interruptores (C) o (D).

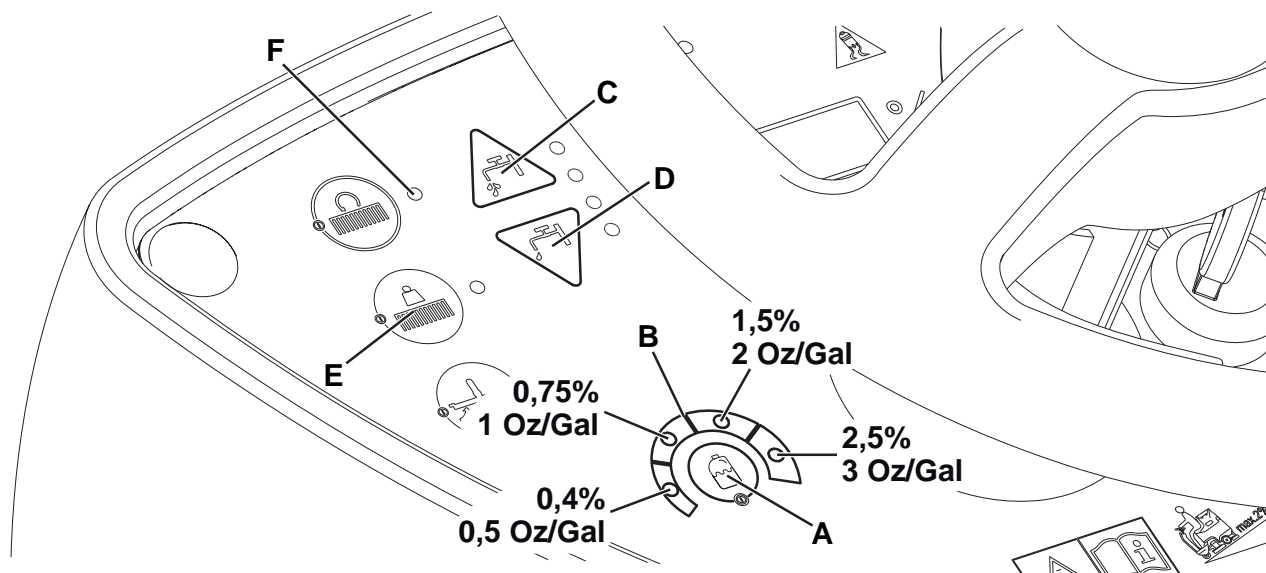


Figura 5

P100439

Trabajo con la función de presión suplementaria de los cepillos/portafiltros

1. En caso de suelo con suciedad muy resistente, es posible trabajar con una presión mayor de los cepillos/portafiltros sobre el suelo pulsando el interruptor (E).
2. Para volver a un trabajo con presión normal, pulsar de nuevo el interruptor (E).
 - El interruptor (E) está activado sólo cuando el cabezal (5 y 10) está bajado y el LED (F) del interruptor está encendido.



¡ADVERTENCIA!

En caso de sobrecarga de los motores de los cepillos/portafiltros, por causa de cuerpos extraños que obstaculizan el movimiento, o de suelos/cepillos demasiados agresivos, un sistema de seguridad bloquea los cepillos/portafiltros después de un minuto de sobrecarga continua.

La condición de sobrecarga se visualiza mediante el parpadeo simultáneo de los tres LED que indican la carga de las baterías (62).

Si la sobrecarga ocurre durante el trabajo con la función de presión suplementaria activada, el sistema disminuye automáticamente la presión sobre los cepillos/portafiltros desactivando la función de presión suplementaria. Si la sobrecarga persiste, los cepillos/portafiltros se bloquean.

Para empezar de nuevo el trabajo tras la parada de los cepillos/portafiltros por causa de la sobrecarga, es necesario reajustar la máquina, colocando la llave de encendido (58) en la posición "0". Poner en marcha la máquina colocando la llave de encendido (58) en la posición "I".

Descarga de las baterías durante el trabajo

- Hasta que el LED verde (62) se queda encendido, las baterías permiten el funcionamiento normal de la máquina.
 - Cuando el LED verde se apaga y se encienden en secuencia el LED amarillo y rojo, es necesario cargar las baterías.
 - Cuando se enciende el LED amarillo la autonomía de la máquina es de unos minutos (variables en función de las características de la batería utilizada).
 - Cuando se enciende el LED rojo la autonomía está agotada: después de unos segundos se paran automáticamente los cepillos/portafiltros y se levanta el cabezal. Funcionan sólo el sistema de aspiración y el sistema de tracción, sólo para poder secar eventuales partes del suelo mojado y llevar la máquina en el lugar de recarga.



¡ADVERTENCIA!

Si se insiste en usar la máquina con las baterías descargadas, las baterías se pueden dañar y su vida útil se acorta.



NOTA

Si no se puede usar el sistema de tracción para desplazar la máquina, consultar el párrafo Desplazamiento de la máquina mediante empuje/remolque.

VACIADO DE LOS DEPÓSITOS

Un sistema de cierre automático de flotador (27) bloquea el sistema de aspiración cuando el depósito del agua de recuperación (19) está lleno.

Es posible darse cuenta del bloqueo del sistema de aspiración porque el ruido del motor del sistema de aspiración aumenta y el suelo no seca.



¡ADVERTENCIA!

Si el sistema de aspiración se apaga de forma accidental (por ejemplo por la intervención prematura del flotador durante un desplazamiento imprevisto de la máquina), para reactivarlo apagarlo pulsando el interruptor (65), luego abrir la tapa (20) y asegurarse de que el flotador al interior de la rejilla (27) haya bajado hasta el nivel del agua; por último cerrar la tapa (20) y reactivar el sistema de aspiración pulsando el interruptor (65).

Cuando el depósito del agua de recuperación (19) está lleno, vaciarlo según el procedimiento siguiente.

Vaciado del depósito del agua de recuperación

- Parar la máquina soltando el pedal (4).
- Levantar el cabezal portacepillos/portafiltros y la boquilla pisando el interruptor (63).
- Llevar la máquina en el área de eliminación designada.
- Vaciar el depósito del agua de recuperación mediante el tubo (24).
- Quitar el contenedor con rejilla de recogida de residuos (26), vaciarlo y limpiarlo con agua limpia. Montarlo en el tubo de aspiración dentro del depósito.
- Al final del trabajo, enjuagar el depósito con agua limpia.

Vaciado del depósito de la solución detergente/agua limpia

7. Llevar a cabo los pasos de 1 a 3 el párrafo anterior.
8. Tomar el adaptador (45) que se encuentra en el alojamiento dentro del compartimento de las baterías.
9. Montar el adaptador (A, Fig. 6) sobre el tubo de aspiración de la boquilla (B), luego introducirlo en el grifo de descarga (C).
10. Colocar la llave de encendido (58) en la posición "I" y activar el sistema de aspiración con el interruptor (65).
11. Abrir el grifo de descarga (C) para permitir el vaciado del depósito (22).
El grifo (C) está abierto cuando está en la posición (D) con respecto al grifo y está cerrado cuando está en la posición (E).
12. Cuando la operación está acabada, apagar el sistema de aspiración y vaciar el depósito del agua de recuperación (19) mediante el tubo (24).
13. Cuando el trabajo está acabado, cerrar el grifo de descarga (C), desmontare el adaptador (A) y reinstalar el tubo de aspiración (B) en la boquilla (30).

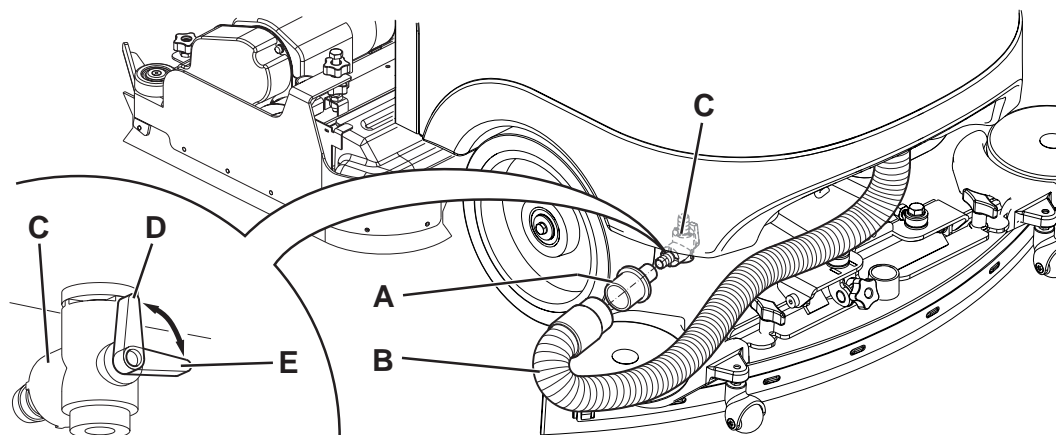


Figura 6

P100440

DESPUÉS DEL USO DE LA MÁQUINA

Cuando el trabajo está acabado, antes de alejarse de la máquina:

1. Desmontar los cepillos/portafiltros, mediante el procedimiento específico.
2. Vaciar los depósitos (19 y 22) como indicado en el párrafo antecedente.
3. Quitar la boquilla (30) y lavarla con agua caliente.
4. Efectuar las operaciones de mantenimiento necesarias después del uso de la máquina (véase el capítulo Mantenimiento).
5. Tener la máquina en un lugar seco y limpio, con los cepillos/portafiltros y la boquilla levantados o desmontados.

DESPLAZAMIENTO DE LA MÁQUINA MEDIANTE EMPUJE/REMOLQUE

Cuando no es posible utilizar el sistema de tracción, (por ejemplo en caso de falta de baterías, baterías descargadas, etc.) para desplazar la máquina mediante empuje/remolque, es necesario desbloquear el freno electromagnético tirando de la palanca (7) y bloqueándola con un distanciador.

Después del desplazamiento, quitar el distanciador de la palanca (7) para volver a activar el freno electromagnético.



¡ATENCIÓN!

Si tras el desplazamiento de la máquina mediante empuje/remolque, la palanca (7) no se desbloquea, el freno electromagnético de la máquina se queda desactivado.



¡ATENCIÓN!

Non poner en marcha la máquina si la palanca (7) está en posición de freno electromagnético desbloqueado. Para mayor seguridad, se recomienda desbloquear el freno electromagnético sólo durante el tiempo necesario para desplazar la máquina manualmente.

PERIODO DE LARGA INACTIVIDAD DE LA MÁQUINA

1. Si se piensa que la máquina no va a ser usada durante 30 días o más, es necesario:
2. Llevar a cabo los procedimientos indicados en el párrafo Después del uso de la máquina.
3. Antes de desconectar el conector rojo (9) de la batería, efectuar los procedimientos siguientes:
 - Abrir la tapa (20), la boca de llenado(23) y controlar que los depósitos (19 y 22) estén vacíos, si no vaciarlos.
 - Tener el conjunto depósito del agua de recuperación (19) abierto mediante el pie de soporte (25).

PRIMER PERIODO DE USO

Después de las primeras 8 horas, controlar que los elementos de fijación y conexión de la máquina estén correctamente instalados. Controlar que las partes visibles no estén dañadas y que no haya pérdidas de líquidos.

MANTENIMIENTO

Un mantenimiento cuidadoso y continuo garantiza la vida útil y la seguridad de funcionamiento de la máquina. El esquema siguiente resume el mantenimiento programado. Los períodos indicados pueden variar según las condiciones de trabajos, que el encargado del mantenimiento debe establecer.



¡ATENCIÓN!

Las operaciones deben efectuarse con la máquina apagada y con las baterías desconectadas. Además, leer cuidadosamente todas las instrucciones del capítulo Seguridad.

Todas las operaciones de mantenimiento programado o extraordinario deben ser efectuadas por el personal calificado o por un Centro de asistencia autorizado.

En este manual, después del esquema de mantenimiento, se describen sólo los procedimientos de mantenimiento más sencillos y frecuentes.



NOTA

Para las otras operaciones de mantenimiento indicadas en el esquema de mantenimiento programado y las operaciones de mantenimiento extraordinario, véase el Manual de asistencia disponible en los Centros de asistencia Clarke.

ESQUEMA DE MANTENIMIENTO PROGRAMADO

Operación	Diaria, después del uso de la máquina	Semanaria	Semestral	Anual
Carga de las baterías				
Limpieza de la boquilla				
Limpieza de los cepillos/filtros				
Limpieza de los depósitos, de la rejilla de recogida residuos, de la rejilla de aspiración con flotador y control de la guarnición de la tapa				
Limpieza y descarga del Chemical Mixing System (opcional)				
Control y sustitución de los cauchos de la boquilla				
Limpieza del filtro de la solución detergente				
Limpieza del filtro del motor del sistema de aspiración				
Control del nivel del líquido de las baterías (WET)				
Control de la torsión de tuercas y tornillos			(1)	
Control del freno electromagnético			(2)	
Control o sustitución de las escobillas de carbón de los motores del cepillo/portafiltro				(2)
Control o sustitución de las escobillas de carbón del motor del sistema de aspiración				(2)
Control o sustitución de las escobillas de carbón del motor del sistema de tracción				(2)

(1) Y después de las primeras 8 horas de trabajo.

(2) Mantenimiento de competencia de un Centro de asistencia autorizado Clarke.

CONTROL DE LAS HORAS DE TRABAJO DE LA MÁQUINA

- Introducir la llave de encendido (58) y colocarla en la posición "1".
- Durante los primeros 2 segundos de funcionamiento de la máquina, el visualizador (71) indica el número total de las horas de trabajo (lavado/secamiento) efectuadas por la máquina.
 - Colocar la llave de encendido (58) en la posición "0".

LIMPIEZA DE LA BOQUILLA



NOTA

Para un buen secamiento, la boquilla debe estar limpia y con los cauchos en buenas condiciones.



¡ADVERTENCIA!

Durante estas operaciones se recomienda utilizar guantes de trabajo, porque residuos cortantes podrían estar en la boquilla.

1. Llevar la máquina sobre un suelo llano.
2. Introducir la llave de encendido (58) y colocarla en la posición "I".
3. Bajar la boquilla (30) pulsando el interruptor (65).
4. Colocar la llave de encendido (58) en la posición "O".
5. Desconectar el tubo de aspiración (31) de la boquilla.
6. Aflojar las empuñaduras (34) y quitar la boquilla (30).
7. Lavar y limpiar la boquilla. Limpiar especialmente los huecos (A, Fig. 7) y el orificio (B). Controlar que los cauchos delantero (C) y trasero (D) estén en buenas condiciones, que no estén cortados o desgarrados; de lo contrario, sustituirlos.
8. Montar en orden contrario al desmontaje.

CONTROL Y SUSTITUCIÓN DE LOS CAUCHOS DE LA BOQUILLA

1. Limpiar la boquilla (Fig. 7) como indicado en el párrafo antecedente.
2. Controlar que el borde (E) del caucho delantero (C) y el borde (F) del caucho trasero (D) apoyen contemporáneamente sobre un plano de comprobación, por toda su longitud; de lo contrario ajustar la altura, como indicado a continuación:
 - Desenganchar el tirante (G), desenganchar el retén (M) y ajustar el caucho trasero (D); luego enganchar el retén y fijar con el tirante.
 - Aflojar las empuñaduras (I) y ajustar el caucho delantero (C), luego apretar las empuñaduras.
3. Controlar que los cauchos delantero (C) y trasero (D) estén en buenas condiciones, que no estén cortados o desgarrados; de lo contrario, sustituirlos como indicado a continuación. Controlar también que el borde delantero (J) del caucho trasero no esté desgastado; de lo contrario volcar el caucho mismo, llevando en su posición uno de los otros bordes no desgastado. Si todos los bordes están desgastados, sustituir el caucho, mediante el procedimiento siguiente:
 - Quitar el tirante (G), desenganchar el retén (M) y quitar la cinta de sujeción (K), luego sustituir/volcar el caucho trasero (D).
 - Montar el caucho en orden contrario al desmontaje.
 - Desenroscar las empuñaduras (I) y quitar la cinta de sujeción (L), luego sustituir el caucho delantero (C).
 - Montar el caucho en orden contrario al desmontaje.
 - Después de la sustitución (o vuelco) de los cauchos, ajustar su altura, como indicado en el paso antecedente.
4. Conectar el tubo de aspiración (31) a la boquilla.
5. Montar la boquilla (30) y enroscar las empuñaduras (34).
6. Si necesario, ajustar la empuñadura de ajuste del equilibrado (35) de la boquilla.

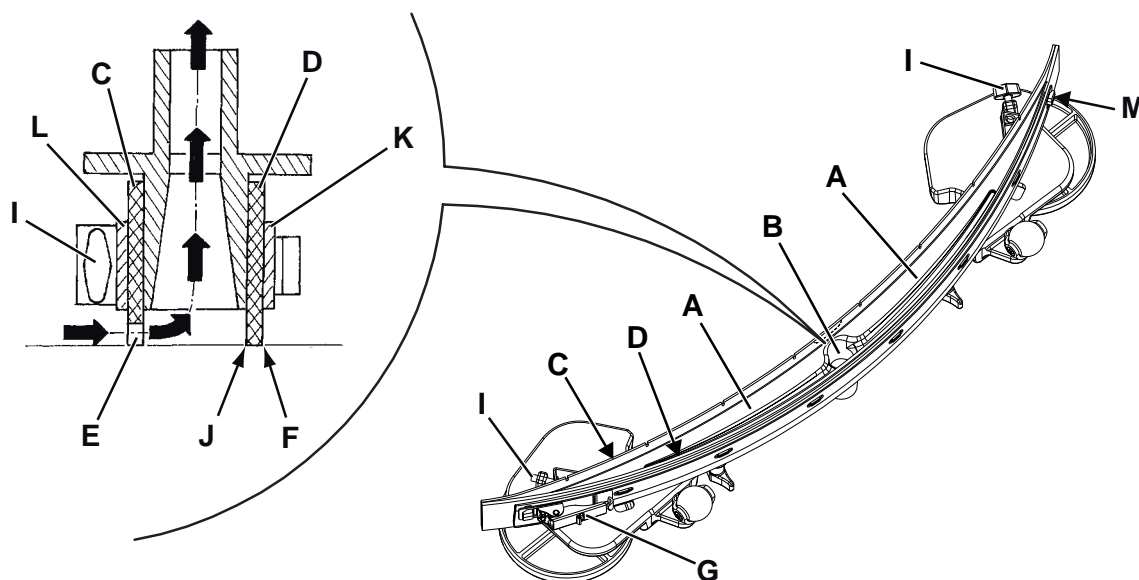


Figura 7

P100441

LIMPIEZA DE LOS CEPILLOS/CEPILLOS CILÍNDRICOS



¡ADVERTENCIA!

Durante estas operaciones se aconseja utilizar guantes de trabajo, porque residuos cortantes podrían estar en el cepillo.

1. Quitar los cepillos/filtros de la máquina como indicado en el capítulo Uso.
2. Limpiar y lavar los cepillos con agua y detergente.
3. Controlar que las cerdas no estén dañadas o excesivamente desgastadas; de lo contrario, sustituirlas.

LIMPIEZA DEL DEPÓSITO DEL AGUA DE RECUPERACIÓN

1. Llevar la máquina en el área de eliminación designada.
2. Colocar la llave de encendido (58) en la posición "0".
3. Abrir la tapa (20).
4. Limpiar y lavar con agua limpia, la tapa (20) y el depósito (19).
 - Descargar el agua del depósito mediante el tubo (24).
5. Limpiar la rejilla de aspiración (27), desenganchar los retenes (A, Fig. 8), abrir la rejilla (B) y quitar el flotador (C), luego limpiar con cuidado y volver a instalar.
6. Limpiar el contenedor con rejilla de recogida de residuos (26), desmontar el filtro (G), quitar la tapa (H), luego limpiar con cuidado y reinstalar en el tubo de aspiración.
7. Controlar la integridad de la guarnición (D) de la tapa del depósito.



NOTA

La guarnición (D) causa la formación de vacío en el depósito, necesario para la aspiración del agua de recuperación.

- Si necesario, sustituir la guarnición (D), quitándola de su alojamiento (E). Cuando se instala la nueva guarnición, posicionar la unión (F) en el área inferior indicada en la figura.
7. Controlar que toda la superficie perimetral (I) de apoyo de la guarnición (D) no esté dañada y que sea adecuada para la estanqueidad de la guarnición misma.
 8. Cerrar la tapa (20).

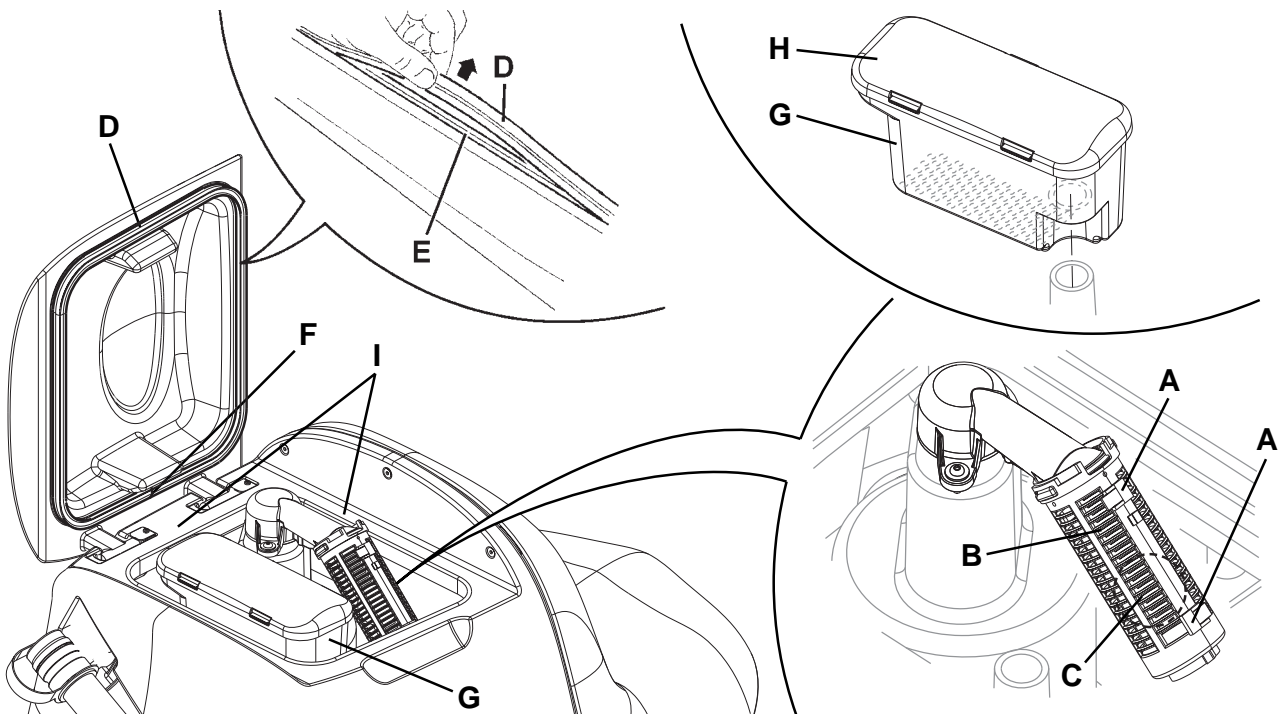


Figura 8

P100442

LIMPIEZA DEL FILTRO DEL MOTOR DEL SISTEMA DE ASPIRACIÓN

1. Llevar la máquina sobre un suelo llano.
2. Colocar la llave de encendido (58) en la posición "0".
3. Abrir la tapa (20) y controlar que el depósito del agua de recuperación (19) esté vacío, si no vaciarlo mediante el tubo de descarga (24).
4. Cerrar la tapa (20).
5. Abrir con cuidado el conjunto depósito (19) desde el lado izquierdo.
6. Controlar que el filtro (37) esté limpio. Si necesario, limpiarlo con agua y aire comprimido, luego volver a instalarlo.

LIMPIEZA DEL FILTRO DE LA SOLUCIÓN DETERGENTE

1. Llevar la máquina sobre un suelo llano.
2. Colocar la llave de encendido (58) en la posición "0".
3. Cerrar el grifo de la solución detergente (A, Fig. 10) que se encuentra bajo la máquina, detrás de la rueda trasera derecha. El grifo (A) está cerrado cuando está en la posición (B) con respecto al grifo y está abierto cuando está en la posición (C).
4. Quitar la tapa transparente (D) con la guarnición (E), luego quitar la rejilla filtrante (F). Limpiarlas y montarlas en el soporte (G).



NOTA

Posicionar correctamente la rejilla filtrante (F) en el alojamiento (H) de la tapa transparente (D).

5. Abrir el grifo (A).

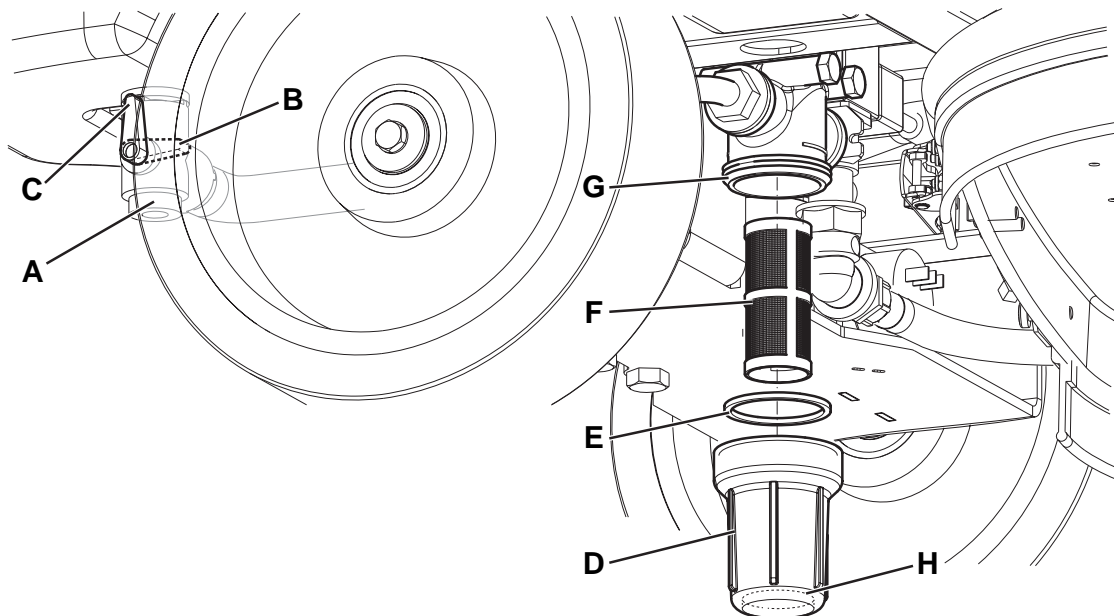


Figura 10

P100444

CARGA DE LAS BATERÍAS



NOTA

Cargar las baterías cuando se enciende el LED amarillo o rojo (62) o al final de cada trabajo.



¡ADVERTENCIA!

Si se mantienen las baterías cargadas, su durabilidad aumenta.



¡ADVERTENCIA!

No dejar las baterías descargadas durante mucho tiempo, porque su durabilidad podría reducirse. Controlar la carga de las baterías por lo menos una vez por semana.



¡ATENCIÓN!

Cargando las baterías se produce gas hidrógeno muy explosivo. Cargar las baterías sólo en áreas bien ventiladas y lejos de llamas libres.

No fumar cuando se cargan las baterías.

El conjunto de los depósitos debe quedarse levantado mediante el pie de soporte (25) mientras que se cargan las baterías.



¡ATENCIÓN!

Durante la carga tener mucho cuidado que el líquido de las baterías no sobresalga. Este líquido es corrosivo. En caso de contacto con la piel o los ojos lavar a conciencia con agua y consultar un médico.

Operaciones preliminares

1. Llevar la máquina sobre un suelo llano.
2. Abrir la tapa (20) y controlar que el depósito (19) esté vacío, si no vaciarlo mediante el tubo de descarga (24).
3. Cerrar la tapa (20).
4. Abrir con cuidado el conjunto depósito (19) desde el lado izquierdo.
5. (Sólo para baterías WET) controlar el nivel de electrolito de las baterías (39). Si necesario, desenroscar los tapones (40) y rellenar.
Luego, cerrar los tapones (40) y limpiar, si necesario, la superficie superior de las baterías.

Carga de las baterías

6. Conectar el cable (41) del cargador de baterías a la red eléctrica [la tensión y la frecuencia de la red deben ser compatibles con los valores del cargador de baterías, indicados en la placa del número de serie de la máquina].



NOTA

Cuando el cargador de baterías está conectado a la red eléctrica, todas las funciones de la máquina se paran automáticamente.

- Si el LED rojo (62) está encendido indica que el cargador está cargando las baterías.
 - Si el LED amarillo (62) está encendido indica que el cargador está acabando de cargar las baterías.
4. Cuando el LED verde se enciende, el ciclo de carga de las baterías está acabado.
 5. Una vez efectuada la carga, desconectar el cable (41) del cargador de baterías de la red eléctrica y engancharlo a su alojamiento detrás del cargador de baterías.
 6. Bajar con cuidado el conjunto depósito (19).
 7. La máquina está lista para el uso.



NOTA

Para informaciones suplementarias sobre el funcionamiento del cargador de baterías (16) véase el manual de cargador de baterías.

EXPURGACIÓN DEL CHEMICAL MIXING SYSTEM

(Para máquinas con Chemical Mixing System)

1. Para quitar los residuos de detergente en las tuberías y en la bomba del detergente, efectuar el procedimiento siguiente.
2. Poner en marcha la máquina colocando la llave de encendido (58) en la posición "1".
3. Pulsar el interruptor (53). Controlar que el LED (54) del interruptor se encienda.
4. Pulsar contemporáneamente los interruptores (53 y 59), hasta que el LED (54) empiece a parpadear (después de unos 5 segundos).
5. Soltar los interruptores y esperar que el LED (54) acabe de parpadear y que el sistema de aspiración se accione.
6. Aspirar los residuos de detergente que han quedado en el suelo.
7. Colocar la llave de encendido (58) en la posición "0".
8. Levantar el depósito (19), luego controlar que el tubo del depósito del detergente (42) esté vacío, de lo contrario repetir los pasos de 3 a 7.



NOTA

Drenar el agua del depósito de recuperación (19) a través del tubo (24). El ciclo de expurgación dura unos 30 segundos, después de que se activa automáticamente la función de aspiración que permite eliminar los residuos de detergente.

La expurgación se puede efectuar aun si el depósito del detergente (42) está lleno de agua. De esta forma, el lavado del sistema sería total.

Es necesario efectuar esta expurgación cuando el Chemical Mixing System está muy sucio/incrustado después de inactividad/falta de limpieza de la máquina durante largos períodos.

La expurgación se puede efectuar también para acelerar el llenado del tubo de aspiración del detergente cuando el depósito (42) está lleno y el sistema está todavía vacío.

La expurgación, si necesaria, puede efectuarse varias veces consecutivamente.

CONTROL/SUSTITUCIÓN DE LOS FUSIBLES



NOTA

Todos los circuitos eléctricos de la máquina están protegidos por dispositivos electrónicos de auto-reactivación. Los fusibles de seguridad se activan sólo en caso de avería grave.

Por lo tanto se recomienda que la sustitución de los fusibles sea efectuada sólo por el personal cualificado.

Consultar el Manual de asistencia disponible en los Revendedores Clarke.

FUNCIONES DE SEGURIDAD

La máquina está equipada de las siguientes funciones de seguridad.

PULSADOR DE EMERGENCIA

Se encuentra en una posición (8) fácilmente accesible por el operador. Pulsarlo en caso de necesidad inmediata para para la máquina y todas sus funciones.

Para reactivar las funciones de la máquina levantar el conjunto depósitos (19) desde el lado izquierdo y reconectar el conector de las baterías (9).

SISTEMA DE SEGURIDAD ANTIDERRAPE

Disminuye, si necesario, la velocidad durante los virajes y en caso de inclinación lateral de la máquina para evitar derrape imprevisto y aumentar la estabilidad de la máquina en cada condición.



MICROINTERRUPTOR DEL ASIENTO DEL CONDUCTOR

Se encuentra al interior del asiento del conductor y no permite el funcionamiento del sistema de tracción de la máquina si el operador no está sentado en el asiento.

FRENO ELECTROMAGNÉTICO

Está integrado en la rueda delantera y mantiene la máquina frenada cuando está apagada o parada.

BÚSQUEDA AVERÍAS

AVERÍA	PROBABLE CAUSA	SOLUCIÓN
Los motores no funcionan; ningún LED se enciende.	El conector de las baterías está desconectado.	Conectar.
	Las baterías están completamente descargadas.	Cargar las baterías.
La máquina no se mueve y el visualizador (71) muestra el código de error: 	La máquina fue encendida con la llave de encendido teniendo pisado el pedal.	Soltar el pedal de marcha. Si el problema sigue existiendo, contactar con un Centro de asistencia autorizado.
Cuando se pone en marcha la máquina, el LED (64) del interruptor (63) parpadea y los cepillos no funcionan.	La máquina fue apagada sin levantar el cabezal portacepillos.	Antes de encender de nuevo los cepillos pulsando el interruptor (63), espera a que el cabezal esté levantado.
Los cepillos no funcionan; el LED (62) rojo parpadea.	Las baterías están descargadas.	Cargar las baterías.
Los 3 LED (62) parpadean simultáneamente.	Sobrecarga de los motores de los cepillos.	Usar cepillos menos duros o de tipo diferente o no trabajar con presión suplementaria activada.
	Cuerpos extraños (hilos enrollados, etc.) que puedan frenar la rotación de los cepillos.	Limpiar los cubos de los cepillos.
El visualizador (71) muestra un código de error tipo:  donde "00" se sustituye por un código diferente de "t4".	Condición de alarma del sistema electrónico de control de la máquina.	Apagar y volver a encender la máquina. Si el problema sigue existiendo, contactar con un Centro de asistencia Clarke autorizado.
La aspiración de agua sucia es insuficiente.	El depósito del agua de recuperación está lleno.	Vaciar el depósito.
	La rejilla de aspiración está obstruida o el flotador está cerrado.	Limpiar la rejilla de aspiración.
	El contenedor con rejilla de recogida de residuos está obstruido.	Limpiar.
	El tubo está desconectado de la boquilla.	Conectarlo.
	La boquilla está sucia o los cauchos de la boquilla están desgastados o dañados.	Limpiar la boquilla o volcar/sustituir los cauchos.
	La tapa del depósito no está correctamente cerrada, o la guarnición está desgastada.	Cerrar correctamente la tapa o limpiar/sustituir la guarnición.
El flujo de la solución detergente es insuficiente.	El depósito de la solución detergente está vacío.	Llenarlo.
	El filtro de la solución detergente está sucio.	Limpiar el filtro.
	El depósito del Chemical Mixing System (opcional) está sucio/obstruido.	Limpiar mediante ciclo de purga.
La boquilla causa estriados en el suelo.	Residuos bajo de los cauchos de la boquilla.	Quitar los residuos.
	Los cauchos de la boquilla están desgastados, astillados o desgarrados.	Volcar o sustituir los cauchos.
	La boquilla no fue equilibrada mediante la empuñadura.	Ajustar la boquilla.



NOTA

Si la máquina está equipada de un cargador de baterías, ésta no puede funcionar si el cargador no está a bordo. Si el cargador de baterías está averiado, acudir a un Centro de asistencia Clarke autorizado.

Para explicaciones o informaciones, contactar con los Centros de asistencia Clarke.

ELIMINACIÓN

Eliminar la máquina en un demoledor calificado.

Antes de eliminar la máquina es necesario quitar y separar los siguientes materiales y eliminarlos según las actuales normas de higiene ambiental:

- Baterías
- Cepillos
- Tubos y componentes de plástico
- Componentes eléctricos y electrónicos (*)

(*) En particular, para la eliminación de los componentes eléctricos y electrónicos, contactar con Clarke.

LISEZ CE MANUEL

Il contient des informations importantes pour une utilisation correcte de la machine, en toute sécurité. Lisezle complètement avant de mettre la machine en marche ou d'effectuer un entretien. A défaut, vous risqueriez de vous blesser ou de blesser d'autres membres du personnel, d'endommager sérieusement la machine ou de provoquer des dégâts dans son environnement. Avant de se servir de la machine, il est indispensable d'avoir reçu une formation. Si vous-même (ou le conducteur) ne parlez pas français, veuillez demander (ou lui fournir) toutes les explications nécessaires. Des versions du manuel existent en d'autres langues. Toutes les indications de direction figurant dans ce manuel sont visualisées depuis la position du conducteur, à l'arrière de la machine. Des manuels supplémentaires peuvent être obtenus auprès de votre revendeur Clarke.

TABLE DES MATIERES

INTRODUCTION	58
BUT ET CONTENU DU MANUEL	58
DESTINATAIRES.....	58
CONSERVATION DU MANUEL.....	58
DONNEES D'IDENTIFICATION	58
AUTRES MANUELS DE REFERENCE.....	58
PIECES DE RECHANGE ET ENTRETIEN	58
MODIFICATIONS ET AMELIORATIONS.....	58
CAPACITES OPERATIONNELLES	58
CONVENTIONS	58
DEBALLAGE / LIVRAISON	59
SECURITE	59
SYMBOLES UTILISES	59
INSTRUCTIONS GENERALES.....	59
SYMBOLES.....	61
DESCRIPTION DE LA MACHINE	62
STRUCTURE DE LA MACHINE.....	62
TABLEAU DE BORD	64
ACCESSOIRES / OPTIONS	65
CARACTERISTIQUES TECHNIQUES	65
SCHEMA ELECTRIQUE.....	66
UTILISATION	68
CONTROLE / PREPARATION DES BATTERIES SUR UNE MACHINE NEUVE	68
INSTALLATION DES BATTERIES ET CONFIGURATION DU TYPE DE BATTERIES (WET OU GEL/AGM).....	68
AVANT LA MISE EN MARCHE	70
MISE EN MARCHE ET ARRET DE LA MACHINE	73
MACHINE AU TRAVAIL (LAVAGE / SECHAGE)	73
VIDANGE DES RESERVOIRS.....	75
APRES L'UTILISATION DE LA MACHINE	76
MOUVEMENT PAR POUSSEE/REMORQUAGE DE LA MACHINE.....	76
INACTIVITE PROLONGEE DE LA MACHINE	76
PREMIERE PERIODE D'UTILISATION.....	77
ENTRETIEN	77
PLAN D'ENTRETIEN PROGRAMME.....	77
CONTROLE DES HEURES DE TRAVAIL DE LA MACHINE	77
NETTOYAGE DE L'EMBOUCHURE	78
CONTROLE ET REMPLACEMENT DES LAMELLES EN CAOUTCHOUC DE L'EMBOUCHURE	78
NETTOYAGE DES BROSSES OU DES BROSSES CYLINDRIQUES	79
NETTOYAGE DU RESERVOIR DE L'EAU DE RECUPERATION	79
NETTOYAGE DU FILTRE DU MOTEUR DU SYSTEME D'ASPIRATION.....	80
NETTOYAGE DU FILTRE DE LA SOLUTION	80
CHARGEMENT DES BATTERIES	81
VIDANGE DU CHEMICAL MIXING SYSTEM	82
CONTROLE / REMPLACEMENT DES FUSIBLES	82
FONCTIONS DE SECURITE	82
BOUTON-POUSSOIR D'URGENCE.....	82
SYSTEME DE SECURITE ANTI-DERAPAGE.....	82
MICROINTERRUPTEUR DU SIEGE DE CONDUITE.....	82
FREIN ELECTROMAGNETIQUE.....	82
DEPISTAGE DES PANNES	83
MISE A LA FERRAILLE	84
PARTS LIST	85

INTRODUCTION



REMARQUE

Les nombres entre parenthèses se réfèrent aux composants indiqués au chapitre Description de la machine.

BUT ET CONTENU DU MANUEL

Ce manuel se propose de fournir à l'opérateur toutes les informations nécessaires afin qu'il puisse utiliser la machine correctement et la gérer de la manière la plus autonome et sûre. Il comprend des informations concernant l'aspect technique, la sécurité, le fonctionnement, l'arrêt de la machine, l'entretien, les pièces de rechange et la mise à la ferraille.

Avant d'effectuer toute opération sur la machine, les opérateurs et les techniciens qualifiés doivent lire attentivement les instructions contenues dans ce manuel. En cas de doutes sur la correcte interprétation des instructions, contacter Clarke pour avoir plus de renseignements.

DESTINATAIRES

Ce manuel s'adresse à l'opérateur aussi bien qu'aux techniciens préposés à l'entretien de la machine.

Les opérateurs ne doivent pas exécuter les opérations réservées aux techniciens qualifiés. Clarke ne répond pas des dommages dus à l'inobservance de cette interdiction.

CONSERVATION DU MANUEL

Le Manuel opérateur doit être gardé près de la machine, dans une enveloppe spéciale et, surtout, loin de liquides et de tout ce qui pourrait en compromettre l'état de lisibilité.

DONNEES D'IDENTIFICATION

Le numéro de série et le modèle de la machine sont indiqués sur la plaque (21) appliquée à la colonne de direction.

L'année de fabrication de la machine est indiquée dans la Déclaration de Conformité, ainsi que par les deux premiers chiffres du numéro de série de la machine.

Ces informations sont nécessaires lors de la commande des pièces de rechange de la machine. Utiliser l'espace suivant pour noter les données d'identification de la machine.

Modèle de la MACHINE
Numéro de série de la MACHINE

AUTRES MANUELS DE REFERENCE

- Manuel du chargeur de batterie électronique (intégrant de ce manuel, et disponible sur demande)

Les manuels suivants sont aussi disponibles :

- Manuel d'entretien (consultable auprès des Services après-vente Clarke)
- Catalogue de pièces de rechange (livré avec la machine)

PIECES DE RECHANGE ET ENTRETIEN

Pour toute nécessité concernant l'emploi, l'entretien et la réparation, s'adresser au personnel qualifié ou directement aux Services après-vente Clarke. N'utiliser que des pièces de rechange et accessoires d'origine.

Pour l'assistance ou la commande de pièces de rechange et accessoires, contacter Clarke en spécifiant toujours le modèle et le numéro de série.

MODIFICATIONS ET AMELIORATIONS

Clarke vise à un constant perfectionnement de ses produits et se réserve le droit d'effectuer des modifications et des améliorations, lorsqu'elles sont nécessaires, sans l'obligation de modifier les machines précédemment vendues.

Il est entendu que toute modification et / ou addition d'accessoires doit toujours être approuvée et réalisée par Clarke.

CAPACITES OPERATIONNELLES

Cette autolaveuse est conçue et fabriquée pour le nettoyage (lavage et séchage) de sols lisses et solides, en milieux civils et industriels, en conditions de complète sécurité, par un opérateur qualifié.

L'autolaveuse n'est pas adaptée au lavage de tapis ou moquettes.

CONVENTIONS

Toutes les références à en avant, en arrière, avant, arrière, droite ou gauche indiquées dans ce manuel doivent être considérées comme référées à l'opérateur assis sur son siège (17) en position de conduite.

DEBALLAGE / LIVRAISON

Pour déballer la machine, suivre attentivement les instructions sur l'emballage.

Pour le déplacement manuel de la machine, consulter le paragraphe Mouvement de la machine par poussée / remorquage.

Lors de la livraison de la machine, contrôler attentivement que l'emballage et la machine n'ont pas été endommagés pendant le transport. Si les dommages sont évidents, garder l'emballage de façon qu'il puisse être examiné par le transporteur qui l'a livré.

Contactez immédiatement le transporteur pour remplir une demande de dommages-intérêts.

Contrôler que le matériel livré avec la machine correspond à la liste suivante :

- Documentation technique :
 - Manuel d'utilisation de l'autolaveuse
 - Manuel du chargeur de batterie électronique
 - Catalogue de pièces de rechange de l'autolaveuse
- 2 fusibles lamellaires
- 1 connecteur de rechange du chargeur de batterie
- 2 cales pour logement de batterie de 6 V

SECURITE

On utilise les symboles suivants pour signaler les conditions de danger potentielles. Lire attentivement ces informations et prendre les précautions nécessaires pour protéger les personnes et les choses.

Pour éviter tout accident, la collaboration de l'opérateur est essentielle. Aucun programme de prévention des accidents du travail ne peut résulter efficace sans la totale collaboration de la personne directement responsable du fonctionnement de la machine. La plupart des accidents qui peuvent survenir dans une entreprise, pendant le travail ou les déplacements, sont dus à l'inobservance des plus simples règles de prudence. Un opérateur attentif et prudent est la meilleure garantie contre les accidents du travail et se révèle indispensable pour compléter n'importe quel programme de prévention.

SYMBOLES UTILISES



DANGER !

Indique une situation dangereuse exposant l'opérateur au risque de blessures graves, voire mortelles.



ATTENTION !

Indique un risque potentiel d'accident pour les personnes ou de dommage matériel.



AVERTISSEMENT !

Indique un avertissement ou une remarque sur des fonctions clé ou utiles. Prêter la plus grande attention aux segments de texte marqués par ce symbole.



REMARQUE

Indique une remarque sur des fonctions clé ou utiles.



CONSULTATION

Indique la nécessité de consulter le Manuel opérateur avant toute opération.

INSTRUCTIONS GENERALES

Les avertissements et précautions spécifiques suivants informent sur les potentiels dangers de dommages matériels ou blessures.



DANGER !

- **Avant d'effectuer toute opération de nettoyage, d'entretien et de remplacement des composants, débrancher le connecteur de la batterie et enlever la clé de contact.**
- **Cette machine doit être utilisée uniquement par le personnel adéquatement formé.**
- **Tenir les étincelles, les flammes et les matériaux incandescents loin des batteries. Les batteries produisent des gaz potentiellement explosifs pendant l'utilisation ordinaire.**
- **Ne pas porter de bijoux quand on travaille près de composants électriques.**
- **Ne pas travailler sous la machine soulevée, sans des supports fixes de sécurité convenables.**
- **Ne pas opérer avec cette machine en présence de poudres, liquides ou vapeurs nuisibles, dangereux, inflammables et / ou explosifs : la machine ne doit pas être utilisée pour ramasser des matériaux dangereux.**
- **Le chargement de batteries produit un gaz hydrogène très explosif. Garder le groupe réservoirs en position ouverte pendant le cycle de rechargement des batteries et effectuer cette opération exclusivement dans un endroit bien aéré et loin de flammes libres.**

**ATTENTION !**

- Avant d'effectuer toute opération d'entretien / réparation, lire attentivement toutes les instructions qui concernent l'entretien / réparation.
- Avant d'utiliser le chargeur de batterie, s'assurer que la fréquence et la tension indiquées sur la plaque avec numéro de série coïncident avec la tension du réseau.
- Ne pas utiliser le câble du chargeur de batterie pour tirer ou transporter la machine et ne pas utiliser le câble comme poignée. Ne pas fermer de porte sur le câble du chargeur de batterie, ne pas tirer le câble sur des surfaces ou coins tranchants. Ne pas faire passer la machine sur le câble du chargeur de batterie.
- Tenir le câble du chargeur de batterie éloigné des surfaces chaudes.
- Ne pas utiliser la machine si le câble du chargeur de batterie ou la fiche sont endommagés. Si la machine ne fonctionne pas correctement, si elle est endommagée, laissée à l'extérieur ou tombée dans l'eau, l'amener auprès d'un Service après-vente agréé.
- Pour réduire le risque d'incendie, chocs électriques ou blessures, ne pas laisser la machine sans surveillance lorsqu'elle est branchée au réseau électrique. Débrancher le câble du chargeur de batterie du réseau électrique avant d'effectuer toute opération d'entretien.
- Ne pas fumer pendant le chargement des batteries.
- Pour éviter l'utilisation non autorisée de la machine, enlever la clé de contact.
- Avant de laisser la machine sans surveillance, veiller à ce que celle-ci ne puisse pas bouger de façon autonome.
- Protéger toujours la machine du soleil, de la pluie et d'autres intempéries, pendant le fonctionnement et en état d'arrêt. Garder la machine dans un endroit couvert et sec : elle a été conçue pour l'utilisation à sec, par conséquent elle ne doit pas être utilisée ou gardée dehors, dans des conditions d'humidité.
- Avant d'utiliser la machine, fermer tous les volets et/ou carters comme indiqué sur le Manuel d'utilisation.
- Ne pas laisser que la machine est utilisée comme jouet. Faire attention lorsque la machine est utilisée à proximité des enfants.
- Ne pas utiliser à des fins autres que celles prévues dans ce manuel. Utiliser seulement les accessoires recommandés par Clarke.
- Prendre les précautions convenables afin que les cheveux, les bijoux, les parties non adhérentes des vêtements ne soient pas capturés par les parties en mouvement de la machine.
- Ne pas utiliser la machine sur des surfaces en pente.
- Afin de ne pas compromettre la stabilité, ne pas incliner la machine d'un angle supérieur à la valeur indiquée sur la machine même.
- Ne pas utiliser la machine dans des endroits très poussiéreux.
- Utiliser la machine seulement dans des endroits bien illuminés.
- Si la machine est utilisée en présence d'autres personnes, il faut allumer le feu tournant (optionnel).
- Pendant l'utilisation de la machine, faire attention à sauvegarder l'intégrité des personnes et des choses.
- Ne pas heurter contre des étagères ou des échafaudages, en particulier en cas de danger de chute d'objets.
- Ne pas poser de conteneurs de liquides sur la machine.
- La température de travail de la machine doit être comprise entre 0°C et +40°C (entre +32°F et 104°F).
- La température de stockage de la machine doit être comprise entre 0°C et +40°C (entre +32°F et 104°F).
- L'humidité doit être comprise entre 30% et 95%.
- Pendant l'utilisation de détergents pour le nettoyage des sols, suivre toujours les instructions et les avertissements indiqués sur les étiquettes des flacons.
- Avant la manipulation de détergents pour le nettoyage des sols, mettre les gants et les vêtements de protection adéquats.
- Ne pas utiliser la machine comme moyen de transport.
- Ne pas faire travailler les brosses lorsque la machine est arrêtée pour ne pas endommager le sol.
- En cas d'incendie, il est préférable d'utiliser un extincteur à poudre, plutôt qu'un extincteur à eau.
- Ne pas altérer pour aucune raison les protections prévues pour la machine, respecter scrupuleusement les instructions prévues pour l'entretien ordinaire.
- Ne pas laisser entrer d'objets dans les ouvertures. Ne pas utiliser la machine si les ouvertures sont obstruées. Garder les ouvertures de la machine libres de poussière, filasse, poils et tout autre corps étranger à même de réduire le flux d'air.
- Ne pas enlever ou altérer les plaques apposées sur la machine.
- Pour déplacer la machine manuellement, il est nécessaire de débloquent le frein électromagnétique. Après avoir déplacé la machine manuellement, activer à nouveau le frein électromagnétique. Ne jamais utiliser la machine avec le frein électromagnétique désactivé.
- Dans le cas où la machine est déplacée par poussée pour des raisons de service (manque de batteries, batteries déchargées, etc.) ne jamais dépasser la vitesse de 4 km/h (2,5 mph).
- La machine n'est pas approuvée pour l'utilisation sur la voie publique.

**ATTENTION !**

- *Faire attention pendant les déplacements de la machine en conditions de températures inférieures au point de congélation. L'eau présente dans le réservoir de l'eau de récupération ou dans les tuyaux pourrait se congeler et endommager sérieusement la machine.*
- *Utiliser les brosses et les disques livrés avec la machine et ceux spécifiés dans le Manuel d'utilisation. L'utilisation de brosses ou disques différents peut compromettre la sécurité.*
- *S'assurer que les éventuelles anomalies de fonctionnement de la machine ne dépendent pas du manque d'entretien. En cas contraire, demander l'intervention du personnel autorisé ou d'un Service après-vente autorisé.*
- *En cas de remplacement de pièces, demander les pièces de rechange D'ORIGINE à un Concessionnaire ou Revendeur autorisé.*
- *Afin de garantir la sécurité et le bon fonctionnement de la machine, faire effectuer l'entretien programmé prévu au chapitre spécifique de ce manuel par du personnel autorisé ou par un Service après-vente autorisé.*
- *Ne pas laver la machine avec des jets d'eau directs ou sous pression ou avec des substances corrosives.*
- *Si la machine est dotée de batteries au plomb (WET), incliner la machine pas plus que 30° par rapport à la surface horizontale afin de ne pas causer la sortie du liquide très corrosif des batteries. S'il est nécessaire d'incliner la machine pour effectuer des opérations d'entretien, déposer les batteries.*
- *Lors de la mise à la ferraille, la machine ne doit pas être abandonnée par la présence de matériaux toxiques (batteries, etc.), sujets à des lois qui prévoient l'élimination auprès de centres spéciaux (voir le chapitre Mise à la ferraille).*

SYMBOLES**AVERTISSEMENT !**

Avant d'effectuer toute activité d'entretien / réparation, lire attentivement toutes les instructions qui concernent la machine.

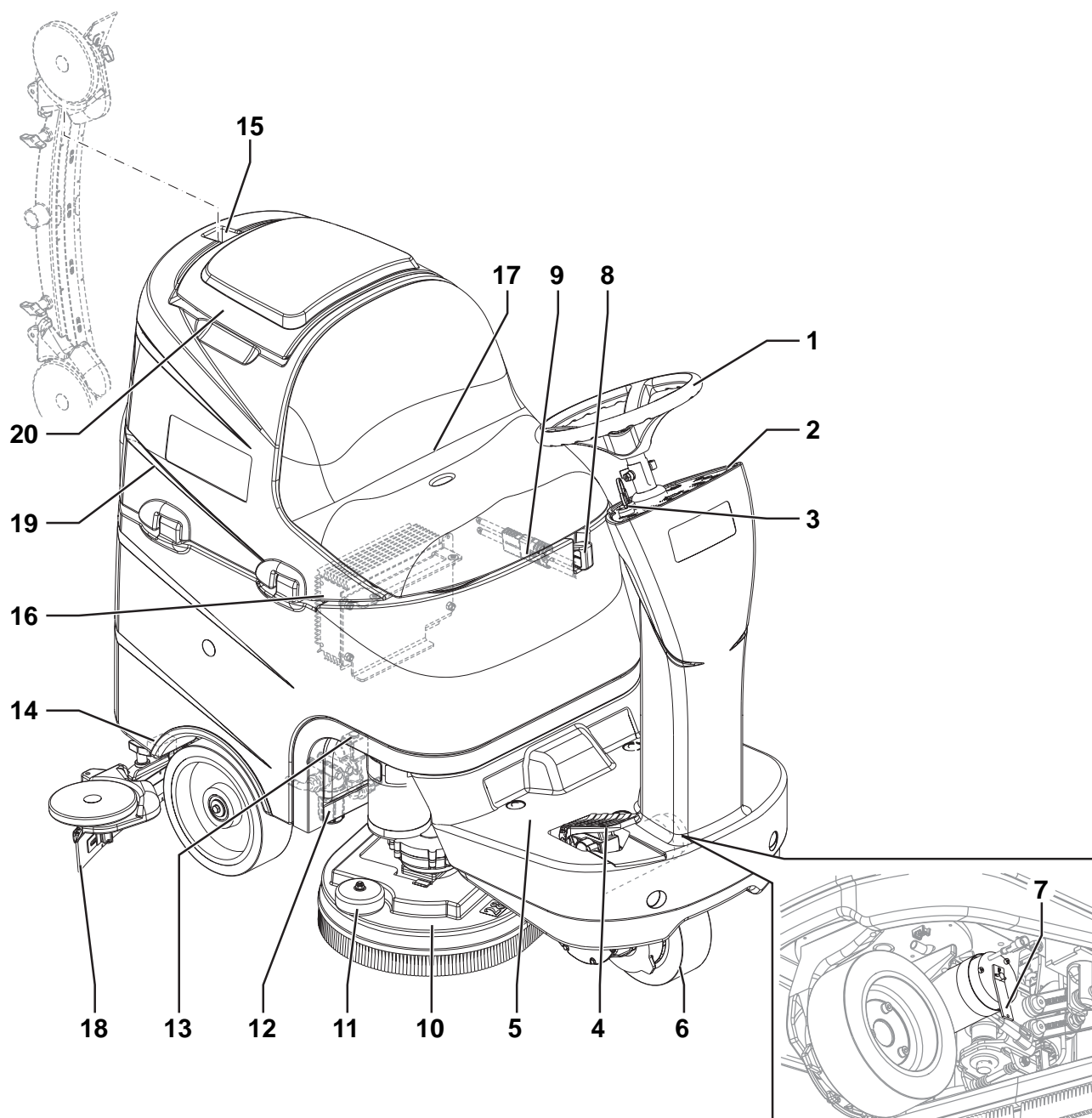
**AVERTISSEMENT !**

Ne pas laver la machine avec des jets d'eau directs ou sous pression.

DESCRIPTION DE LA MACHINE

STRUCTURE DE LA MACHINE

- | | |
|--|---|
| 1. Volant | 11. Butée de rouleau |
| 2. Tableau de bord (voir le paragraphe suivant) | 12. Filtre de solution |
| 3. Clé de contact | 13. Electrovanne |
| 4. Pédale de marche | 14. Robinet d'ouverture / fermeture réservoir solution / eau propre |
| 5. Tête vibrante BOOST® | 15. Logement d'accrochage pour embouchure |
| 6. Roue avant de direction, de traction et de freinage | 16. Chargeur de batterie |
| 7. Levier de déblocage frein électromagnétique | 17. Siège |
| 8. Bouton-poussoir d'urgence | 18. Groupe lamelles en caoutchouc embouchure |
| 9. Connecteur batteries | 19. Groupe réservoir basculant eau de récupération |
| 10. Tête porte-brosses/plateaux support disque | 20. Couvercle réservoir eau de récupération |



P100431

STRUCTURE DE LA MACHINE (suite)

- | | |
|---|---|
| 21. Plaque avec numéro de série / données techniques / marquage de conformité | 33. Roues d'appui embouchure |
| 22. Réservoir solution / eau propre | 34. Boutons de fixation embouchure |
| 23. Goulotte de remplissage réservoir solution / eau propre | 35. Bouton de réglage équilibrage embouchure |
| 24. Tuyau de vidange eau de récupération | 36. Moteur système d'aspiration |
| 25. Pied de support groupe réservoir | 37. Filtre moteur système d'aspiration |
| 26. Conteneur déchets avec grille | 38. Schéma de branchement batteries |
| 27. Grille d'aspiration avec fermeture automatique à flotteur | 39. Batteries |
| 28. Tête porte-brosses cylindriques | 40. Bouchons batteries |
| 29. Volet latéral tête porte-brosses cylindriques | 41. Câble d'alimentation chargeur de batterie |
| 30. Embouchure | 42. Conteneur détergent (*) |
| 31. Tuyau d'aspiration embouchure | 43. Couvercle logement dispositifs électroniques |
| 32. Rouleau pare-chocs embouchure | 44. Groupe réservoir et siège (soulevé) |
| | 45. Adaptateur pour vidange solution / eau propre |
| | 46. Robinet de vidange solution / eau propre |

(*) Seulement pour autolaveuses avec Chemical Mixing System (optionnel)

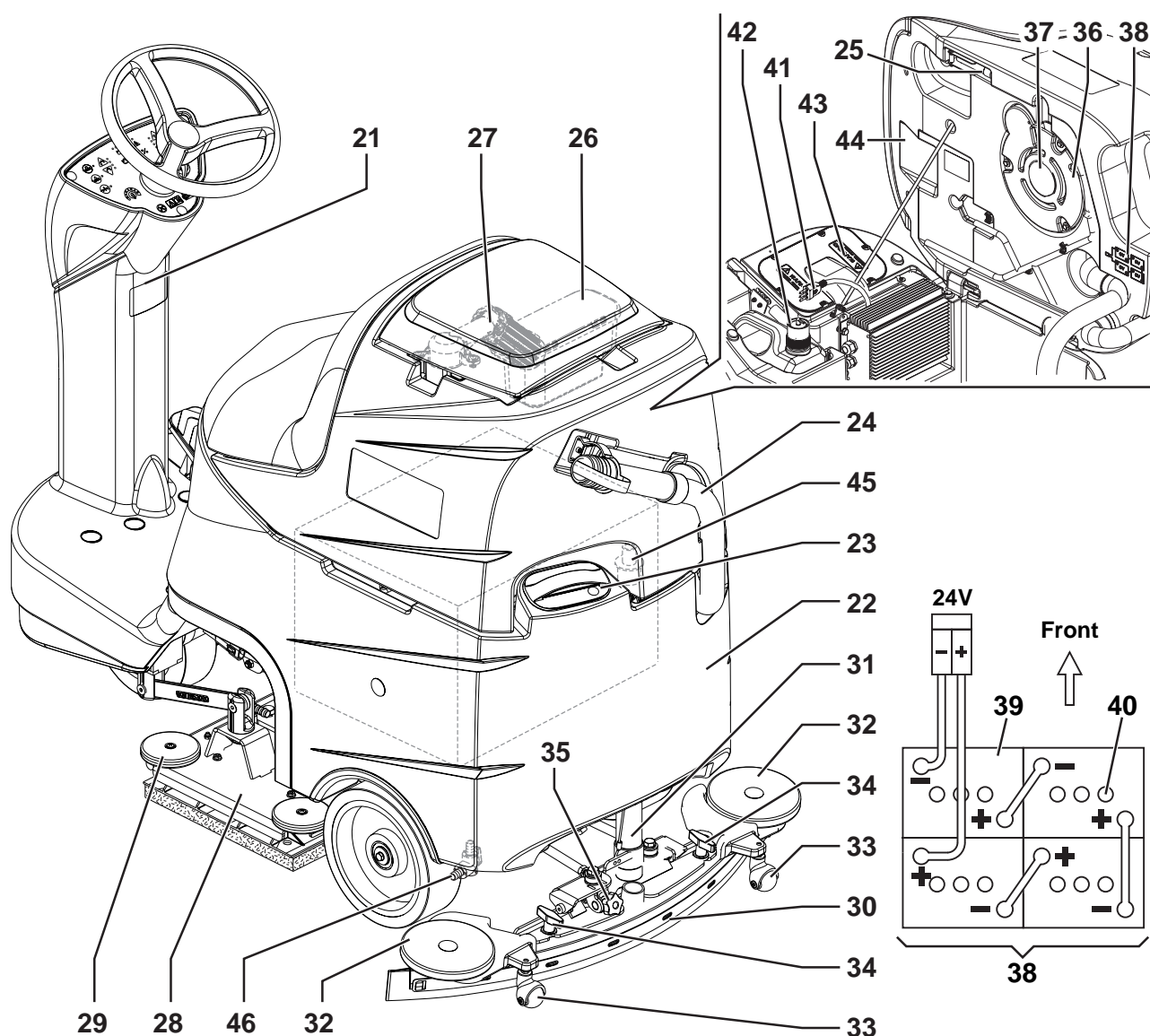
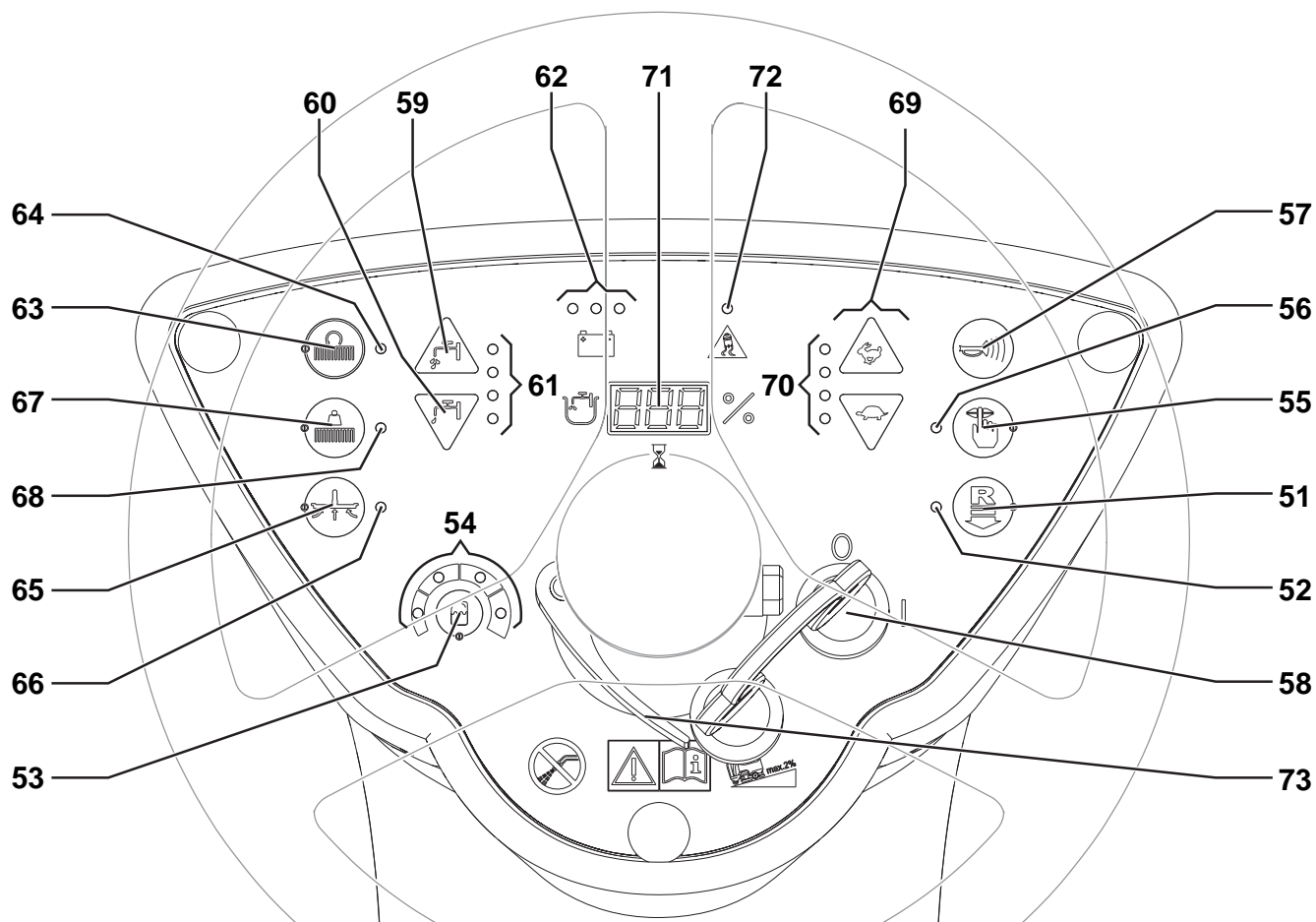


TABLEAU DE BORD

51. Interrupteur d'activation / désactivation marche arrière
 52. DEL activation marche arrière
 53. Bouton-poussoir de réglage concentration de détergent à l'eau de lavage (*)
 54. DELS concentration de détergent dans la solution (*)
 55. Interrupteur fonction de mode silencieux
 56. DEL fonction de mode silencieux
 57. Interrupteur avertisseur sonore
 58. Clé de contact
 59. Bouton-poussoir d'augmentation flux de solution
 60. Bouton-poussoir de réduction flux de solution
 61. DELS flux de solution
 62. DELS état de charge batteries
 • DEL vert - batteries chargées
 • DEL jaune - batteries presque déchargées
 • DEL rouge - batteries déchargées
 63. Interrupteur de soulèvement / abaissement tête porte-brosses / plateaux support disque et embouchure
 64. DEL soulèvement / abaissement de tête porte-brosses / plateaux support disque et embouchure
 65. Interrupteur de soulèvement / abaissement embouchure et du système d'aspiration
 66. DEL de soulèvement / abaissement embouchure et du système d'aspiration
 67. Interrupteur d'extra-pression
 68. DEL extra-pression
 69. Interrupteurs de réglage vitesse de marche (actifs seulement avec brosses en fonction)
 70. LED vitesse de marche
 71. Afficheur indiquant le compteur horaire et le niveau de la solution :
 • Lors de la mise en marche il indique, pendant quelques secondes, les heures de travail effectuées.
 • Pendant l'utilisation de la machine, il indique le niveau de la solution / eau propre contenue dans le réservoir (en pourcentage).
 • Lorsque le niveau dépasse le 90%, l'afficheur visualise "FUL".
 • Lorsque le niveau est inférieur au 30%, l'afficheur visualise "LO".
 • Quand le réservoir est presque vide, l'indication "LO" commence à clignoter.
 72. DEL activation contrôle anti-dérapiage
 73. Levier de réglage hauteur volant
- REMARQUE**
 L'indication "LO" en mode clignotant peut apparaître avant la vidange complète du réservoir, il est donc possible d'effectuer les dernières phases de travail, en contrôlant tout de même le flux réel de solution détergente arrivant aux brosses.
- (*) Seulement pour autolaveuses avec Chemical Mixing System (optionnel)



ACCESSOIRES / OPTIONS

Outre les composants présents dans le modèle standard, la machine peut être équipée des accessoires optionnels suivants, selon l'emploi spécifique de la machine:

- Batteries GEL / AGM
- Broses et brosses cylindriques de matériaux différents par rapport aux brosses standard
- Disques de matériaux différents par rapport aux disques standard
- Lamelles en caoutchouc de l'embouchure de matériaux différents par rapport aux lamelles standard
- Chemical Mixing System
- Feu clignotant
- Kit mop and trash
- Moteur système d'aspiration de 0,9 HP (670 W)

Pour de plus amples informations relatives aux accessoires optionnels susmentionnés, s'adresser au revendeur agréé.

CARACTERISTIQUES TECHNIQUES

Caractéristiques techniques générales

Description	FOCUS II MICRO RIDER 26D	FOCUS II MICRO RIDER 28 BOOST
Largeur de nettoyage	660 mm (26 in)	710 mm (28 in)
Largeur embouchure	890 mm (35 in)	
Capacité réservoir solution / eau propre	80 litres (21 USgal)	
Débit de solution	de 1 à 3 litres/min (de 0,26 à 0,8 USgal/min)	
Diamètre roues arrière sur essieu fixe	250 mm (9,8 in)	
Pression spécifique au sol roue avant	0,5 N/mm ² (72 psi)	
Pression spécifique au sol roues arrière	0,9 N/mm ² (130 psi)	
Diamètre roue avant de direction, de traction et de freinage	225 mm (8,8 in)	
Puissance moteur système d'aspiration	420 W (0,56 HP)	
Puissance moteur système de traction	300 W (0,4 HP)	
Vitesse maximum	6 km/h (3,7 mph)	
Pente maximum franchissable d'usage	2% (1,14°)	
Pression acoustique dans la position de l'opérateur (ISO 11201, ISO 4871, EN 60335-2-72) (LpA)	65 dB(A) ± 3 dB(A)	
Puissance acoustique émise par la machine (ISO 3744, ISO 4871, EN 60335-2-72) (LwA)	82 dB(A)	83 dB(A)
Niveau de vibrations transmises aux bras de l'opérateur (ISO 5349-1, EN 60335-2-72)	2,5 m/s ² (< 98,4 in/s ²)	
Niveau de vibrations transmises au corps de l'opérateur (ISO 2631-1, EN 60335-2-72)	< 0,8 m/s ² (3,1 in/s ²)	
Dimensions logement batteries (longueur x largeur x hauteur)	380 x 540 x 300 mm (14,9 x 21,2 x 11,8 in)	
Type de batteries	4 batteries de 6 V, 180 Ah C5 (WET)	
	4 batteries de 6 V, 180 Ah C5 (GEL / AGM)	
Dépression système d'aspiration	1,000 mmH ₂ O (0,0098 MPa)	
Hauteur machine	1.230 mm (48,4 in)	
Longueur maximum machine	1.360 mm (53,5 in)	
Rayon minimum de braquage	1.500 mm (59,0 in)	
Largeur machine sans embouchure	670 mm	730 mm

Caractéristiques techniques avec tête porte-brosses / plateaux support disque

Description	FOCUS II MICRO RIDER 26D
Diamètre brosse / disque	330 mm (13,0 in)
Poids sans batteries et avec réservoirs vides	175 kg (385,8 lb)
Poids maximum avec batteries, réservoirs pleins et opérateur (PTC)	459 kg (1.012 lb)
Puissance moteur brosse / plateau support disque	2 x 400 W (2 x 0,53 HP)
Vitesse de rotation brosse / plateau support disque	230 tr/mn
Pression brosses/plateaux support disque avec extra-pression désactivée	30 kg (66,1 lb)
Pression brosses/plateaux support disque avec extra-pression activée	48 kg (105,8 lb)

Caractéristiques techniques avec tête BOOST®

Description	FOCUS II MICRO RIDER 28 BOOST
Dimensions brosse	711 x 355,6 mm (28 x 14 in)
Poids sans batteries et avec réservoirs vides	182 kg (401 lb)
Poids maximum avec batteries, réservoirs pleins et opérateur (PTC)	466 kg 8 1.027 lb)
Puissance moteur tête BOOST®	560 W (0,75 HP)
Vitesse de rotation moteur	2.200 tr/mn
Pression tête BOOST® avec extra-pression désactivée	37 kg (81,5 lb)
Pression tête BOOST® avec extra-pression activée	55 kg (121 lb)

SCHEMA ELECTRIQUE

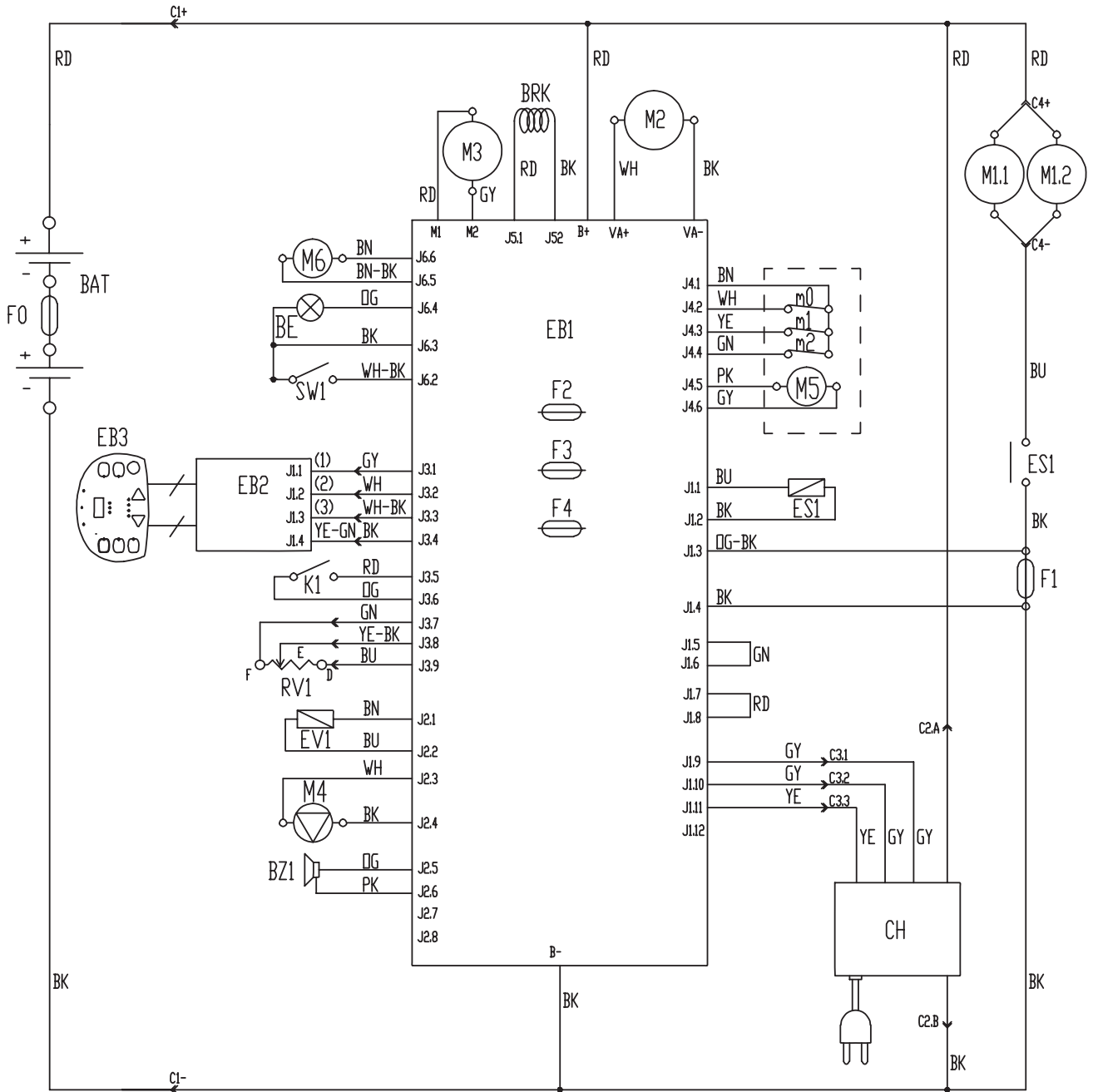
Légende

BAT	Batteries de 24 V
BE	Feu clignotant (optionnel)
BRK	Frein électromagnétique
BZ1	Avertisseur sonore de marche arrière / avertisseur sonore
C1	Connecteur batteries
C2	Connecteur principal chargeur de batterie
C3	Connecteur secondaire chargeur de batterie
C4	Connecteur tête brosses
CH	Chargeur de batterie
EB1	Carte électronique de fonctions
EB2	Carte électronique afficheur
EB3	Carte électronique sérigraphie tableau de bord
ES1	Télérupteur moteurs brosses
EV1	Electrovanne
F0	Fusible batterie
F1	Fusible tête brosses
F2	Fusible carte électronique principale
F3	Fusible circuits de signaux
F4	Fusible actionneurs
K1	Commutateur de démarrage
M1.1,2	Moteurs brosse
M2	Moteur système d'aspiration
M3	Moteur système de traction
M4	Pompe détergent (optionnelle)
M5	Moteur actionneur tête brosses
M6	Moteur actionneur embouchure
m0	Microinterrupteur position 0 actionneur embouchure
m1	Microinterrupteur position 1 actionneur embouchure
m2	Microinterrupteur position 2 actionneur embouchure
PR1	Pressostat niveau détergent / eau propre (en EB1)
RV1	Potentiomètre pédale de marche
SW1	Microinterrupteur siège de conduite

Codes des couleurs

BK	Noir
BU	Bleu
BN	Marron
GN	Vert
GY	Gris
OG	Orange
PK	Rose
RD	Rouge
VT	Violet
WH	Blanc
YE	Jaune

SCHEMA ELECTRIQUE (suite)



P100434

UTILISATION



ATTENTION !

Des plaques adhésives appliquées sur certains points de la machine indiquent :

- **DANGER**
- **ATTENTION**
- **AVERTISSEMENT**
- **CONSULTATION**

Lors de la lecture de ce manuel, l'opérateur doit bien comprendre le sens des symboles illustrés sur les plaques. Ne pas couvrir les plaques et les remplacer immédiatement en cas d'endommagement.

CONTROLE / PREPARATION DES BATTERIES SUR UNE MACHINE NEUVE



ATTENTION !

Les composants électriques de la machine peuvent être sérieusement endommagés si les batteries ne sont pas installées et branchées correctement. Les batteries doivent être installées par le personnel qualifié. Configurer la carte électronique de fonctions selon le type de batteries installé (WET ou GEL / AGM).

Contrôler les batteries avant l'installation pour vérifier qu'elles ne sont pas endommagées.

Débrancher le connecteur des batteries et la fiche du chargeur de batterie.

Déplacer les batteries avec attention.

Installer les protections des bornes des batteries équipées avec la machine.

La machine requiert 4 batteries de 6 V, branchées selon le schéma (38).

La machine peut être livrée selon un des modèles suivants :

Batteries (WET ou GEL/AGM) installées sur la machine et prêtes à l'utilisation

1. Ouvrir le couvercle (20) et contrôler si le réservoir de l'eau de récupération (19) est vide. Dans le cas contraire, le vider au moyen du tuyau de vidange (24).
2. Fermer le couvercle (20).
3. Soulever avec soin le groupe réservoirs (19) du côté gauche.
4. Vérifier que les batteries sont branchées à la machine au moyen du connecteur (9).
5. Baisser le groupe réservoirs (19) avec soin.
6. Introduire la clé de contact (58) et la tourner sur "I". Si le DEL vert (62) de l'indicateur de l'état de charge des batteries s'allume, les batteries sont prêtes à l'utilisation. Si le DEL jaune ou rouge s'allume, il est nécessaire de charger les batteries (voir la procédure au chapitre Entretien).

Sans batteries

1. Acheter des batteries adéquates (voir le paragraphe Caractéristiques techniques).
 - Pour le choix et l'installation, s'adresser à des revendeurs de batteries qualifiés.
2. Configurer la machine en fonction du type de batteries installé (WET ou GEL / AGM) (voir le paragraphe suivant).
3. Installer les batteries (voir le paragraphe suivant).
4. Charger les batteries.

INSTALLATION DES BATTERIES ET CONFIGURATION DU TYPE DE BATTERIES (WET OU GEL/AGM)

Installation des batteries

1. Ouvrir le couvercle (20) et contrôler si le réservoir de l'eau de récupération (19) est vide. Dans le cas contraire, le vider au moyen du tuyau de vidange (24).
2. Fermer le couvercle (20).
3. Soulever le groupe réservoirs (19) avec soin.
4. Installer les batteries et les brancher selon le schéma spécifique (38).

Configuration du type de batteries

Selon le type de batteries installé (WET ou GEL / AGM), configurer la carte électronique de la machine et le chargeur de batterie à bord en procédant comme suit :

5. Tourner la clé de contact (58) sur "I" et remarquer la configuration en cours en comptant, durant les premières secondes de fonctionnement de la machine, le nombre de clignotements des DELS (62) de la batterie, comme le montre le tableau ci-dessous :

CONFIGURATION	AFFICHEUR (71)	SIGNALISATION DEL BATTERIES (62)	TYPE DE BATTERIE	COURANT DE CHARGE
1	WET 20A	4 clignotements DEL rouge	WET	STANDARD
2	GEL 20A	4 clignotements DEL vert	GEL-AGM	
3	GEE 20A	4 clignotements DEL jaune	GEL type EXIDE®	
4	WET 15A	2 clignotements DEL rouge	WET	REDUIT (voir remarque)
5	GEL 15A	2 clignotements DEL vert	GEL-AGM	
6	GEE 15A	2 clignotements DEL jaune	GEL type EXIDE®	

6. S'il est nécessaire de changer la configuration, procéder comme suit.
7. Arrêter le moteur en tournant la clé de contact (58) en position "0".
8. Appuyer en même temps et maintenir enfoncés les interrupteurs (63) et (65), puis tourner la clé de contact (58) en position "I".
9. Relâcher les interrupteurs (63) et (65) après 5 secondes minimum du démarrage de la machine.
10. Dans les 3 secondes, appuyer à nouveau rapidement sur l'interrupteur (65) pour passer à la configuration suivante (de 1 à 6 succession cyclique).



REMARQUE

Pendant l'exécution des points 9 et 10, les configurations sont affichées aussi par l'afficheur (71) avec le code dans le tableau.



REMARQUE

Si on utilise des batteries de capacité inférieure à 160 Ah@5h (en cas de doute, consulter la documentation des batteries), pour éviter une surchauffe excessive durant leur remise en charge, utiliser le courant de charge REDUIT par les configurations 4, 5 ou 6 indiquées dans le tableau selon le type de batterie installée.



REMARQUE

Le chargeur de batterie installé à bord doit être configuré sur la base de la configuration du type de batteries.

Chargement des batteries

11. Charger les batteries (voir la procédure au chapitre Entretien).

AVANT LA MISE EN MARCHÉ



ATTENTION !

A chaque démarrage de la machine, contrôler qu'il n'y a pas de corps étrangers entre la tête (5, 10 et 28) et la machine ou bien entre l'embouchure (30) et la machine, qui peuvent faire barrage au soulèvement de la tête et de l'embouchure. Ce contrôle s'impose puisque si la machine a été arrêtée sans soulever la tête porte-brosses et l'embouchure, lors de l'allumage successif la tête et l'embouchure se soulèvent automatiquement.

Installation / dépose des plateaux support disque (pour FOCUS II MICRO RIDER 26D)

Dans la machine équipée de la tête spéciale, les brosses (A, Fig. 1) ou les plateaux support disque (B) avec disque (C) peuvent être installés.

Pour leur installation / dépose, procéder comme suit.



ATTENTION !

Avant d'actionner l'interrupteur (63), contrôler qu'il n'y a pas de corps étrangers entre la tête (10) et la machine qui peuvent faire barrage au soulèvement de la tête.

1. Soulever la tête en appuyant sur l'interrupteur (63).
2. Positionner la clé de contact (58) sur "0".
3. Déplacer manuellement à gauche le groupe tête, puis décrocher le levier (D) et démonter les couvertures (E) et (F) de la tête.
4. Installer les brosses / plateaux support disque sur le moyeu d'entraînement (G) de la tête en les poussant vers le haut jusqu'à terminer l'accrochage.
5. Pour enlever les brosses / plateaux support disque, exécuter les points de 1 à 3, puis les décrocher du moyeu en les poussant énergiquement vers le bas.



ATTENTION !

L'utilisation de la machine qui n'est pas installée parfaitement peut provoquer des lésions aux personnes et endommager les équipements. Vérifier toujours que tous les composants ont été installés avant de mettre la machine en service. Inspecter la machine avec soin avant de l'utiliser.

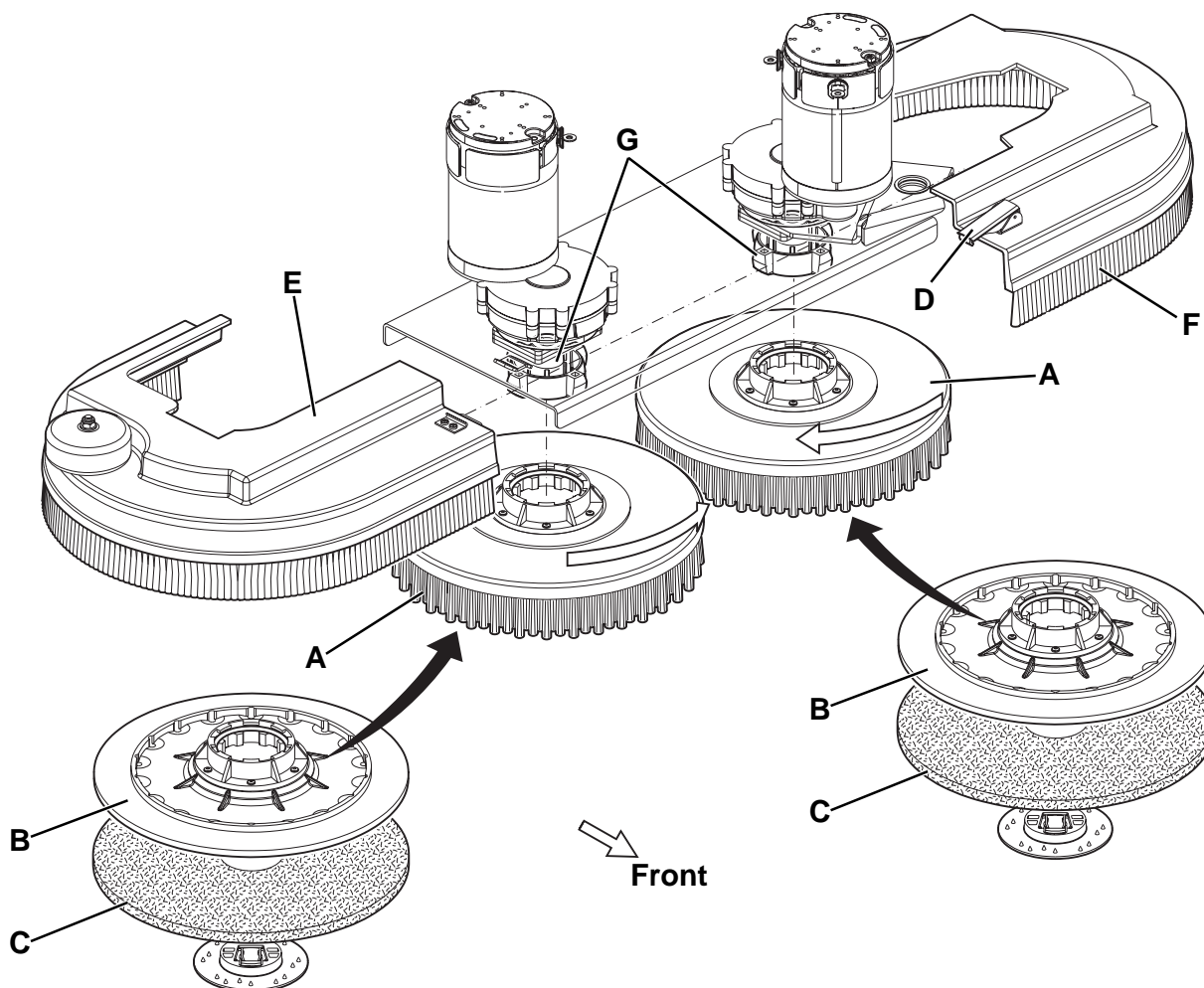


Figure 1

P100435

Types de brosses disponibles et suggestions pour le choix

Modèles	HEAVY GRIT	LITE GRIT	MEDIUM GRIT	POLY	SOFT NYLON	UNIVERSAL BRUSH 5K
Nettoyage général :						
Béton						
Pavage terrasse						
Carreaux de céramique / de carrière						
Marbre						
Carreaux de vinyle						
Carreaux de caoutchouc						
Polissage :						
Carreaux de caoutchouc						
Marbre						
Carreaux de vinyle						

Installation / dépose du disque (pour FOCUS II MICRO RIDER 28 BOOST®)

Les disques peuvent être installés dans la machine avec tête BOOST® en fonction du traitement à effectuer sur le sol.

1. Introduire la clé de contact (58) et la tourner sur "I".

**ATTENTION !**

Avant d'actionner l'interrupteur (63), contrôler qu'il n'y a pas de corps étrangers entre la tête (28) et la machine qui peuvent faire barrage au soulèvement de la tête.

2. Soulever la tête en appuyant sur l'interrupteur (63).
3. Tourner la clé de contact (58) sur "0" et l'enlever.
4. Installer le disque (A, Fig. 3) de façon qu'il fasse prise avec la plaque de la tête BOOST®.
5. Pour déposer le disque, exécuter les points de 1 à 3, puis décrocher manuellement le disque de la plaque de la tête.

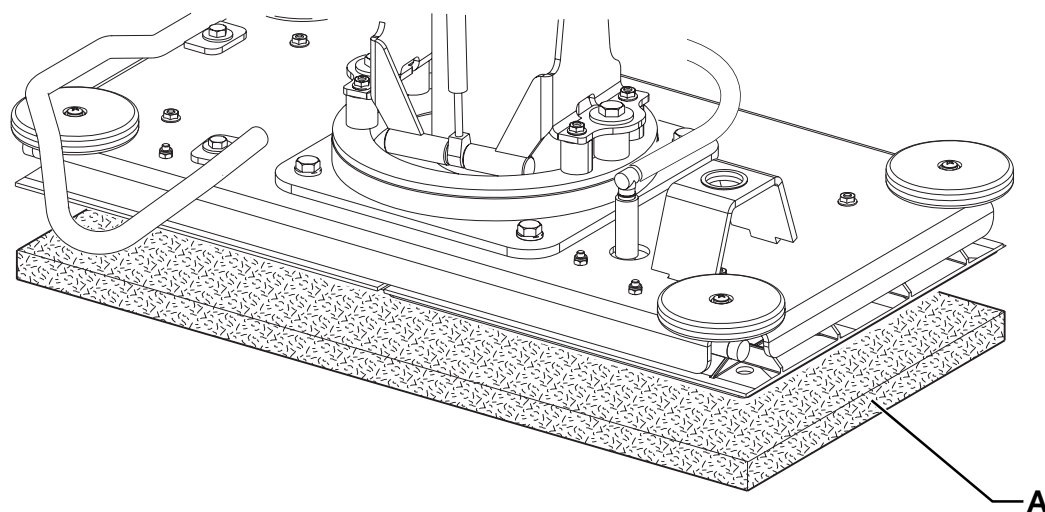


Figure 3

P100437

Installation de l'embouchure

6. Installer l'embouchure (30) et la fixer avec les boutons (34), puis connecter le tuyau d'aspiration (31) à l'embouchure.
7. Au moyen du bouton (35) régler l'embouchure de façon que les lamelles en caoutchouc (18) touchent le sol sur toute leur longueur et que la lamelle en caoutchouc avant se trouve légèrement détachée du sol.

Remplissage du réservoir de solution / de l'eau propre



REMARQUE

Si la machine est équipée avec le Chemical Mixing System (optionnel), verser de l'eau propre dans le réservoir ; dans le cas contraire, verser de la solution.



AVERTISSEMENT !

Utiliser exclusivement des détergents liquides peu mousseux et non inflammables, adéquats pour les machines utilisées.



ATTENTION !

Pendant l'utilisation de détergents pour le nettoyage des sols, suivre toujours les instructions et les avertissements indiqués sur les étiquettes des flacons.

Avant la manipulation de détergents pour le nettoyage des sols, mettre les gants et les vêtements de protection adéquats.

1. Ouvrir la goulotte (23).
2. **(Pour autolaveuses sans Chemical Mixing System)**
Remplir le réservoir (22) avec une solution adéquate au travail à effectuer.
Ne jamais remplir complètement le réservoir (22), mais laisser toujours quelques centimètres du bord de la goulotte (23).
Suivre toujours les instructions de dilution sur l'étiquette du conteneur du produit chimique utilisé pour la solution.
La température de la solution ne doit jamais être supérieure à 40°C (104°F).
- (Pour autolaveuses avec Chemical Mixing System)**
Remplir le réservoir (22) avec de l'eau propre.
Ne jamais remplir complètement le réservoir (22), mais laisser toujours quelques centimètres du bord de la goulotte (23).
La température de l'eau ne doit jamais être supérieure à 40°C (104°F).

Remplacement du conteneur du détergent (pour machines avec Chemical Mixing System)

1. Ouvrir le couvercle (20) et contrôler si le réservoir de l'eau de récupération (19) est vide. Dans le cas contraire, le vider au moyen du tuyau de vidange (24).
2. Fermer le couvercle (20).
3. Soulever avec soin le groupe réservoirs (19) du côté gauche.
4. Dévisser le bouchon sur le conteneur du détergent (42).
5. Enlever le conteneur vide de son logement et le remplacer avec un conteneur neuf.
6. Insérer correctement le tube d'immersion et visser le bouchon sur le conteneur du détergent.



REMARQUE

Si le tuyau du conteneur du détergent est vide (en cas d'un système nouveau, d'un système vidé, etc.), pour accélérer le remplissage du tuyau, il peut être convenable d'effectuer un ou plusieurs cycles de vidange du Chemical Mixing System (voir la procédure au chapitre Entretien).

Réglage de la position de conduite

1. Avec le levier (73), régler la hauteur du volant (1) à la position la plus confortable pour l'opérateur.

MISE EN MARCHÉ ET ARRÊT DE LA MACHINE

Mise en marche de la machine

1. Préparer la machine comme indiqué au paragraphe précédent.
2. Positionner la clé de contact (58) sur "I" sans appuyer sur la pédale de marche (4). Contrôler si le DEL vert de l'indicateur de l'état de charge de la batterie (62) est allumé.
 - Dans le cas où le témoin lumineux jaune ou rouge s'allume, repositionner la clé de contact (58) sur "0" et charger les batteries (voir la procédure au chapitre Entretien).
3. Se porter sur le lieu de travail en démarrant la machine les deux mains sur le guidon (1) et en appuyant sur la pédale (4).
4. La marche arrière est sélectionnée au moyen de l'interrupteur (51, DEL 52 allumé).
5. Pour retourner à la marche avant appuyer à nouveau sur l'interrupteur (51, DEL 52 éteint).



REMARQUE

Le siège (17) est équipé d'un capteur de sécurité qui ne permet le mouvement de la machine, à l'aide de la pédale (4), que lorsque l'opérateur est assis.



REMARQUE

La machine est équipée d'un système de sécurité anti-dérapage [DEL (72) clignotant] qui, si besoin est, réduit la vitesse lors des braquages et en cas de dérapage latéral de la machine, indépendamment de la pression exercée sur la pédale. Cette réduction de la vitesse ne constitue pas un mauvais fonctionnement mais une caractéristique qui augmente la stabilité et la sécurité de la machine en toute condition.

6. Baisser la tête porte-brosses / plateaux support disque et l'embouchure en appuyant sur l'interrupteur (63).
7. Porter les interrupteurs de réglage du flux de la solution (59 et 60) dans la position considérée la plus adéquate en fonction du type de nettoyage à effectuer.
8. Commencer le travail de nettoyage en manœuvrant le volant (1) et en appuyant sur la pédale (4) pour faire avancer la machine.
 - Régler la vitesse d'avance de la machine au moyen des interrupteurs (69) selon sa propre nécessité ou selon le travail à effectuer.



REMARQUE

La machine est équipée d'un système de sécurité qui démarre la rotation des brosses et le système d'aspiration seulement si la machine est en marche.

Arrêt de la machine

9. Relâcher la pédale (4).
10. Il n'est pas nécessaire de bloquer la machine pendant l'arrêt ou le stationnement, puisque le frein électromagnétique sur la roue freine automatiquement la machine quand la pédale de marche n'est pas activée.
11. Soulever la tête porte-brosses / plateaux support disque et l'embouchure en appuyant sur l'interrupteur (63).

MACHINE AU TRAVAIL (LAVAGE / SECHAGE)

1. Mettre la machine en marche comme prévu au paragraphe précédent.
2. Si besoin est, modifier la quantité de solution distribuée aux brosses, en appuyant sur les interrupteurs (59 et 60).
3. Si besoin est, pour réduire au minimum le bruit, activer la fonction de mode silencieux en appuyant sur l'interrupteur (55).



REMARQUE

La fonction mute permettra de réduire les performances d'aspiration, il est donc suggéré d'utiliser la fonction mute seulement sur les sols lisses et sans joints.



REMARQUE

Pour un lavage / séchage correct du sol près du mur, Clarke recommande d'approcher le côté droit de la machine, comme illustré dans la figure 4.

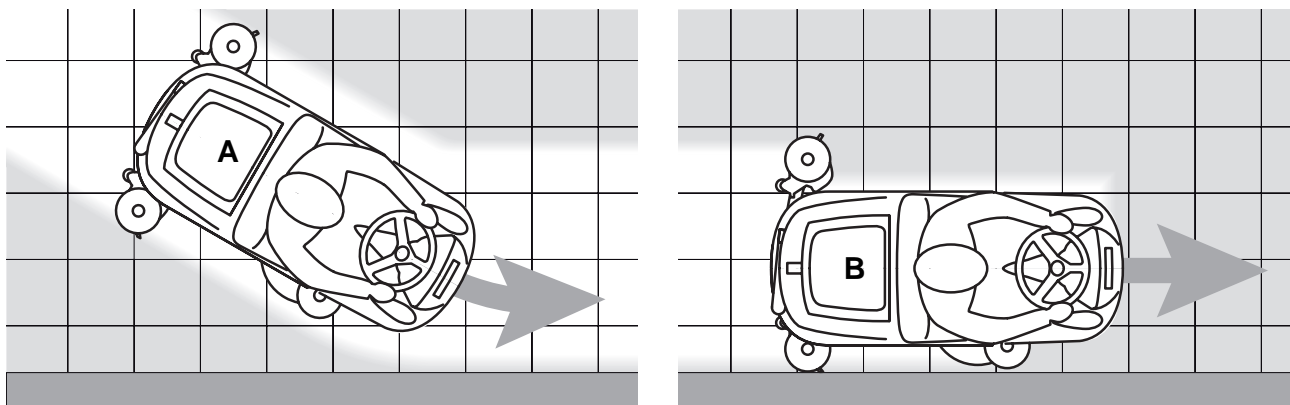


Figure 4

Réglage de l'embouchure

1. Si besoin est, arrêter la machine et régler le bouton de réglage de l'équilibrage de l'embouchure (35) de façon que la lamelle en caoutchouc arrière touche le sol pour toute sa longueur.

Réglage de la concentration de détergent dans la solution

(Pour autolaveuses avec Chemical Mixing System)

Le système pour le mélange du détergent à l'eau de lavage est activé en appuyant sur le bouton-poussoir de réglage du pourcentage de détergent (A, Fig. 5) : si un des DELS est allumé, le détergent est ajouté à l'eau de lavage.

1. La concentration de détergent moyenne varie en fonction de la DELS (B) allumée, comme le montre la figure 5.
2. Appuyer plusieurs fois sur l'interrupteur (A) pour changer la concentration de détergent jusqu'à atteindre la valeur désirée ou pour réduire à zéro la quantité de détergent (tous les DELS sont éteints).



REMARQUE

La configuration du pourcentage de détergent reste mémorisée même après l'arrêt de la machine.



REMARQUE

La concentration de détergent reste constante même en variant le flux de l'eau de lavage au moyen des boutons-poussoirs (C) ou (D).

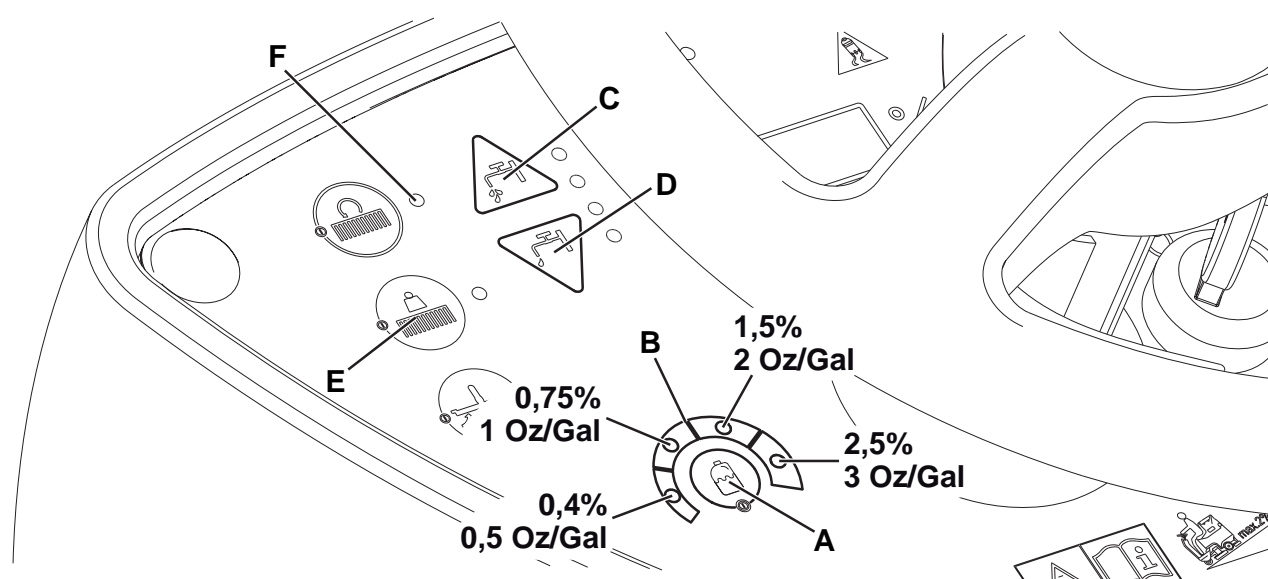


Figure 5

P100439

Travail avec la fonction d'extra-pression des brosses / plateaux support disque

1. En cas de sol particulièrement sale, il est possible d'augmenter la pression des brosses / plateaux support disque sur le sol, en appuyant sur l'interrupteur (E, Fig. 5).
2. Pour retourner au travail avec pression normale, appuyer à nouveau sur l'interrupteur (E).
 - L'interrupteur (E) est activé seulement lorsque la tête (5 et 10) est baissée et le DEL (F) de l'interrupteur est allumé.



AVERTISSEMENT !

En cas de surcharge des moteurs des brosses/plateaux support disque, dû à corps étrangers qui empêchent leur mouvement, ou à sols difficiles/brosses dures, un système de sécurité arrête les brosses après un minute environ de surcharge continu.

La condition de surcharge est indiquée par le clignotement simultané des trois DELS de charge de la batterie (62).

Si la surcharge se vérifie pendant le travail avec la fonction d'extra-pression activée, le système soulage automatiquement la pression sur les brosses / plateaux support disque en désactivant la fonction d'extra-pression. Si la surcharge persiste, les brosses / plateaux support disque s'arrêtent.

Pour reprendre le travail après l'arrêt des brosses / plateaux support disque à cause de la surcharge, il est nécessaire d'arrêter la machine, en tournant la clé de contact (58) sur "0". Démarrer à nouveau la machine en tournant la clé de contact (58) sur "I".

Déchargement des batteries pendant le travail

1. Tant que le DEL vert (62) de charge des batteries reste allumé, les batteries permettent le fonctionnement normal de la machine.
 - Lorsque le DEL vert s'éteint et les DELS jaune et rouge s'allument en séquence, il faut charger les batteries.
 - Lorsque le DEL jaune s'allume, il ne restent que quelques minutes d'autonomie (variables en fonction des caractéristiques de la batterie utilisée).
 - Lorsque le DEL rouge s'allume, l'autonomie est épuisée : après quelques secondes les brosses/plateaux support disque s'arrêtent automatiquement et la tête se soulève. Seulement le système d'aspiration et le système de traction de la machine restent en fonction, pour permettre d'essuyer des endroits éventuels de sol mouillé et d'amener la machine dans le lieu de rechargement.



AVERTISSEMENT !

Ne pas insister à utiliser la machine avec batteries déchargées, pour ne pas endommager les batteries en réduisant leur vie utile.



REMARQUE

Lorsque il n'est plus possible de déplacer la machine à l'aide du système de traction, consulter le paragraphe Déplacement par poussée / remorquage de la machine.

VIDANGE DES RESERVOIRS

Un système de fermeture automatique à flotteur (27) bloque le système d'aspiration lorsque le réservoir de l'eau de récupération (19) est plein.

Le blocage du système d'aspiration peut être détecté grâce à l'augmentation soudaine de la fréquence du bruit du moteur d'aspiration ; en outre, le système d'aspiration ne sèche pas le sol.



AVERTISSEMENT !

Si le système d'aspiration s'arrête pour causes accidentelles (par exemple pour l'intervention prématurée du flotteur pendant un déplacement soudain de la machine), pour le démarrer, arrêter le système en appuyant sur l'interrupteur (65), puis ouvrir le couvercle (20) et vérifier que le flotteur dans la grille (27) est au niveau de l'eau ; enfin, fermer le couvercle (20) et appuyer sur l'interrupteur (65).

Lorsque le réservoir de l'eau de récupération (19) est plein, le vider en procédant comme suit.

Vidange du réservoir de l'eau de récupération

1. Arrêter la machine en relâchant la pédale (4).
2. Soulever la tête porte-brosses / plateaux support disque et l'embouchure en appuyant sur l'interrupteur (63).
3. Porter la machine dans la zone destinée à l'écoulement.
4. Vider le réservoir de l'eau de récupération au moyen du tuyau (24).
5. Extraire le conteneur déchets avec la grille correspondante (26), la vider et la nettoyer à l'eau propre. Le monter à nouveau sur le tuyau d'aspiration dans le réservoir.
6. Le travail effectué, rincer le réservoir à l'eau propre.

Vidange du réservoir de solution / de l'eau propre

7. Exécuter les étapes de 1 à 3 au paragraphe précédent.
8. Prendre l'adaptateur (45) positionné dans son logement dans le logement batteries.
9. Monter l'adaptateur (A, Fig. 6) dans le tuyau d'aspiration (B) de l'embouchure, puis l'insérer dans le robinet de décharge (C).
10. Positionner la clé de contact (58) sur "I" et démarrer le système d'aspiration au moyen de l'interrupteur (65).
11. Ouvrir le robinet de décharge (C) pour permettre la vidange du réservoir (22).
Le robinet (C) est ouvert quand il se trouve dans la position (D) par rapport au robinet ; il est fermé quand il se trouve dans la position (E).
12. La procédure terminée, arrêter le système d'aspiration et vider le réservoir de l'eau de récupération (19) avec le tuyau (24).
13. Le travail terminé, fermer le robinet de décharge (C), démonter l'adaptateur (A) et monter à nouveau le tuyau d'aspiration (B) sur l'embouchure (30).

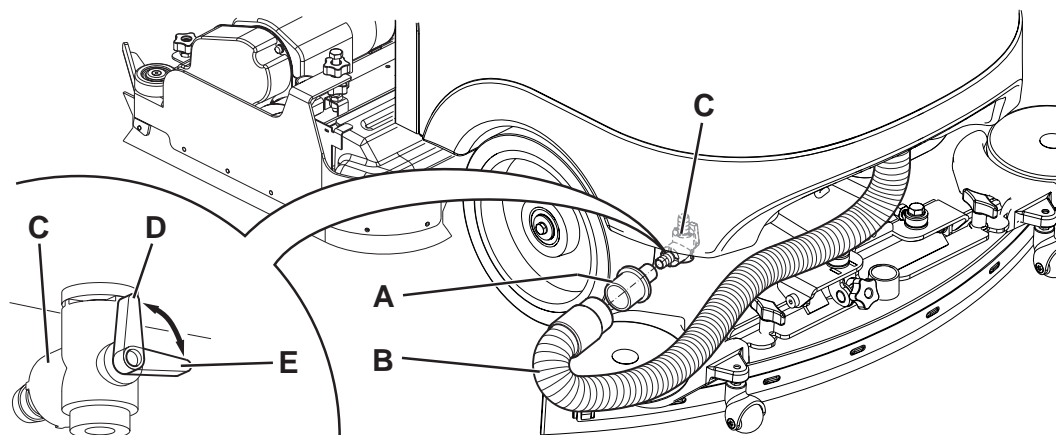


Figure 6

P100440

APRES L'UTILISATION DE LA MACHINE

Le travail effectué, avant de laisser la machine :

1. Déposer les brosses / plateaux support disque en procédant comme indiqué au paragraphe spécifique.
2. Vider les réservoirs (19 et 22) comme indiqué au paragraphe spécifique.
3. Enlever l'embouchure (30) et le laver à l'eau chaude.
4. Effectuer les opérations d'entretien prévues après l'utilisation de la machine (voir le chapitre Entretien).
5. Garder la machine dans un endroit sec et propre, avec les brosses / plateaux support disque et l'embouchure déposés ou soulevés.

MOUVEMENT PAR PUSSEE/REMORQUAGE DE LA MACHINE

Lorsque il n'est plus possible d'utiliser le système de traction (par exemple pour manque de batteries, batteries excessivement déchargées, etc.), pour déplacer aisément la machine par poussée / remorquage, il est nécessaire de débloquer le frein électromagnétique en tirant le levier (7) et en l'arrêtant au moyen d'un écarteur.

Après avoir déplacé la machine, enlever l'écarteur sous le levier (7) pour activer à nouveau le frein électromagnétique.



ATTENTION !

Après avoir déplacé la machine par poussée / remorquage, si le levier (7) n'est pas libéré, le frein électromagnétique de la machine n'est pas activé.



ATTENTION !

Ne jamais démarrer la machine avec le levier (7) dans la position de frein électromagnétique débloqué. Pour plus de sécurité, il est conseillé de débloquer le frein électromagnétique seulement pour le temps strictement nécessaire pour déplacer manuellement la machine.

INACTIVITE PROLONGEE DE LA MACHINE

1. Si l'on prévoit de ne pas utiliser la machine pendant plus de 30 jours, il est convenable de:
2. Effectuer les opérations prévues au paragraphe Après l'utilisation de la machine.
3. Avant de débrancher le connecteur rouge (9) de la batterie, effectuer les opérations suivantes :
 - Ouvrir le couvercle (20), la goulotte (23) et contrôler si les réservoirs (19 et 22) sont vides ; dans le cas contraire, les vider.
 - Tenir le groupe réservoir de l'eau de récupération (19) ouverte au moyen du pied de support (25).

PREMIERE PERIODE D'UTILISATION

Après les 8 premières heures d'utilisation, contrôler le serrage des éléments de fixation et de connexion de la machine. Vérifier que les parties visibles sont intactes et sans pertes.

ENTRETIEN

La durée de vie de la machine et sa sécurité de fonctionnement sont garanties par un entretien soigné et régulier. Veuillez trouver ci-dessous le plan récapitulatif d'entretien programmé. Les périodicités indiquées peuvent subir des variations en fonction de conditions de travail particulières, à définir par le responsable de l'entretien.



ATTENTION !

Les opérations doivent être effectuées avec la machine arrêtée et avec les batteries débranchées. En outre, lire attentivement toutes les instructions du paragraphe Sécurité.

Toutes les opérations d'entretien programmé ou extraordinaire doivent être effectuées par du personnel qualifié ou par un Service après-vente autorisé.

Dans ce manuel, après le plan d'entretien programmé, seulement les procédures des opérations d'entretien les plus simples et les plus récurrentes sont indiquées.



REMARQUE

Pour les procédures des autres opérations d'entretien prévues par le plan d'entretien programmé et extraordinaire, se référer au manuel d'entretien consultable auprès des Services après-vente Clarke.

PLAN D'ENTRETIEN PROGRAMME

Procédure	Quotidienne, après l'utilisation de la machine	Hebdomadaire	Semestrielle	Annuelle
Chargement des batteries				
Nettoyage de l'embouchure				
Nettoyage des brosses / disques				
Nettoyage des réservoirs, de la grille des déchets, de la grille d'aspiration avec flotteur et contrôle du joint d'étanchéité du couvercle				
Nettoyage et vidange du Chemical Mixing System (optionnel)				
Contrôle et remplacement lamelles en caoutchouc embouchure				
Nettoyage filtre solution				
Nettoyage du filtre du moteur du système d'aspiration				
Contrôle du niveau du liquide des batteries (WET)				
Contrôle serrage vis et écrous			(1)	
Contrôle de l'efficacité du frein électromagnétique			(2)	
Contrôle ou remplacement des charbons des moteurs de la brosse/plateau support disque				(2)
Contrôle ou remplacement des charbons du moteur du système d'aspiration				(2)
Contrôle ou remplacement des charbons du moteur du système de traction				(2)

(1) Et après les 8 premières heures de travail.

(2) Opération d'entretien de compétence d'un Service après vente agréé Clarke.

CONTROLE DES HEURES DE TRAVAIL DE LA MACHINE

- Introduire la clé de contact (58) et la tourner sur "1".
- Pendant les 2 premières secondes de fonctionnement de la machine, l'afficheur (71) visualise le numéro total des heures de travail (lavage / séchage) effectuées par la machine.
 - Positionner la clé de contact (58) sur "0".

NETTOYAGE DE L'EMBOUCHURE



REMARQUE

Pour un bon séchage, l'embouchure doit être propre et les lamelles en caoutchouc doivent être en bon état.



AVERTISSEMENT !

Lors du nettoyage de l'embouchure, il est conseillé de porter des gants de protection à cause de la présence éventuelle de débris tranchants.

1. Porter la machine sur un sol plat.
2. Introduire la clé de contact (58) et la tourner sur "1".
3. Baisser l'embouchure (30) en appuyant sur l'interrupteur (65).
4. Positionner la clé de contact (58) sur "0".
5. Déconnecter le tuyau d'aspiration (31) de l'embouchure.
6. Desserrer les boutons (34) et déposer l'embouchure (30).
7. Laver et nettoyer l'embouchure. Nettoyer en particulier les compartiments (A, Fig. 7) et l'orifice (B) de la saleté et des déchets. Contrôler si la lamelle en caoutchouc avant (C) et la lamelle en caoutchouc arrière (D) sont intactes et qu'elles ne présentent pas de coupures ou déchirures ; en cas contraire, les remplacer selon les instructions suivantes.
8. Pour la repose, procéder dans l'ordre inverse de la dépose.

CONTROLE ET REMPLACEMENT DES LAMELLES EN CAOUTCHOUC DE L'EMBOUCHURE

1. Nettoyer l'embouchure (Fig. 7) comme décrit au paragraphe précédent.
2. Contrôler que le bord (E) de la lamelle en caoutchouc avant (C) et le bord (F) de la lamelle en caoutchouc arrière (D) se posent simultanément sur le marbre de contrôle, et en toute leur longueur ; dans le cas contraire, régler leur hauteur en procédant selon les instructions suivantes :
 - Décrocher le tirant (G), décrocher le dispositif de retenue (M) et régler la lamelle en caoutchouc arrière (D), puis accrocher le dispositif de retenue et fixer avec le tirant.
 - Desserrer les boutons (I) et régler la lamelle en caoutchouc avant (C), puis serrer les boutons.
3. Contrôler que la lamelle en caoutchouc avant (C) et la lamelle en caoutchouc arrière (D) sont intactes et qu'elles ne présentent pas de coupures ou déchirures ; en cas contraire, les remplacer en procédant comme suit. Contrôler que l'arête (J) de la lamelle en caoutchouc arrière n'est pas usée ; en cas contraire, tourner la lamelle en caoutchouc, en remplaçant l'arête usée avec l'une des trois arêtes intactes. Si toutes les arêtes sont usées, remplacer la lamelle en caoutchouc en procédant comme suit :
 - Dégager le tirant (G), décrocher du dispositif de retenue (M) et déposer la bande de retenue (K), puis remplacer / tourner la lamelle en caoutchouc arrière (D).
 - Pour la repose, procéder dans l'ordre inverse de la dépose.
 - Dévisser les boutons (I) et enlever la bande de retenue (L), puis remplacer la lamelle en caoutchouc avant (C).
 - Pour la repose, procéder dans l'ordre inverse de la dépose.
 - Après le remplacement (ou renversement) des lamelles en caoutchouc, régler leur hauteur comme décrit à l'étape précédente.
4. Connecter le tuyau d'aspiration (31) à l'embouchure.
5. Reposer l'embouchure (30) et serrer les boutons (34).
6. Si besoin est, régler le bouton de réglage (35) de l'équilibrage de l'embouchure.

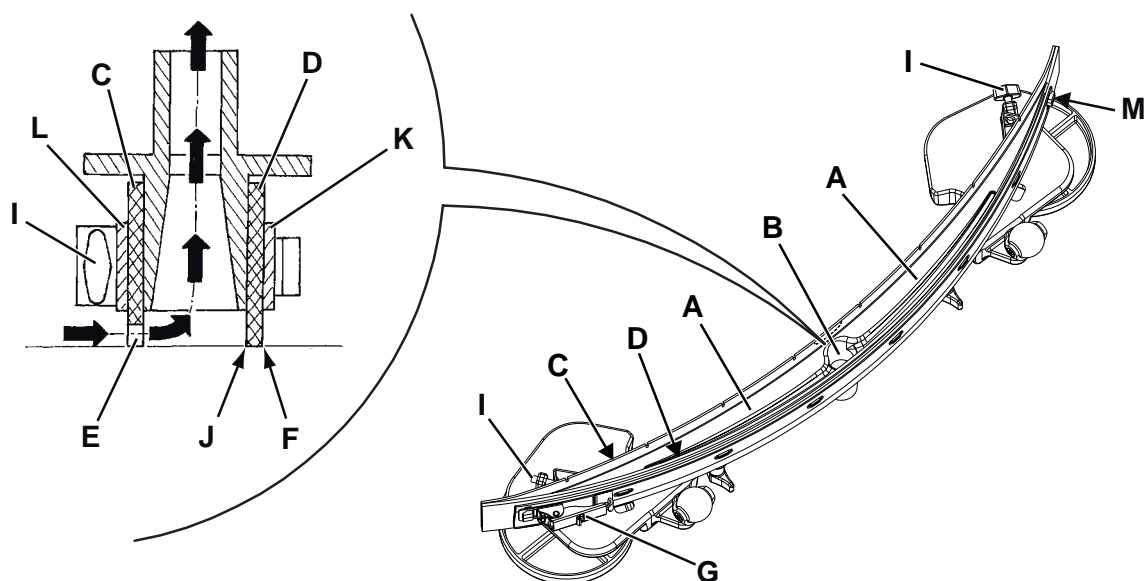


Figure 7

P100441

NETTOYAGE DES BROSSES OU DES BROSSES CYLINDRIQUES



AVERTISSEMENT !

Lors du nettoyage des brosses, il est conseillé de porter des gants de protection à cause de la présence éventuelle de débris tranchants.

1. Déposer les brosses / disques de la machine comme prévu au chapitre Utilisation.
2. Nettoyer et laver les brosses avec de l'eau et du détergent.
3. Contrôler que les poils sont intacts et non excessivement usés ; dans le cas contraire, remplacer les brosses.

NETTOYAGE DU RESERVOIR DE L'EAU DE RECUPERATION

1. Porter la machine dans la zone destinée à l'écoulement.
2. Positionner la clé de contact (58) sur "0".
3. Ouvrir le couvercle (20).
4. Nettoyer et laver à l'eau propre le couvercle (20) et le réservoir (19).
 - Vider l'eau du réservoir avec le tuyau (24).
5. Nettoyer la grille d'aspiration (27), dégager les dispositifs de retenue (A, Fig. 8), ouvrir la grille (B), récupérer le flotteur (C) et nettoyer soigneusement ; enfin reposer en place.
6. Nettoyer le conteneur déchets avec la grille correspondante (26), démonter le conteneur (G), enlever le couvercle (H), puis nettoyer avec soin et installer à nouveau sur le tuyau d'aspiration.
7. Contrôler l'intégrité du joint d'étanchéité (D) du couvercle du réservoir.



REMARQUE

Le joint d'étanchéité (D) permet la création d'une dépression dans le réservoir, nécessaire à l'aspiration de l'eau de récupération.

- Si besoin est, déposer le joint d'étanchéité (D) de son logement (E) et le remplacer. Lors de la pose du nouveau joint d'étanchéité, positionner le raccord (F) dans la zone inférieure indiquée dans la figure.
7. Contrôler aussi l'intégrité, l'efficacité et la propreté de la surface d'appui (I) du joint d'étanchéité (D).
 8. Fermer le couvercle (20).

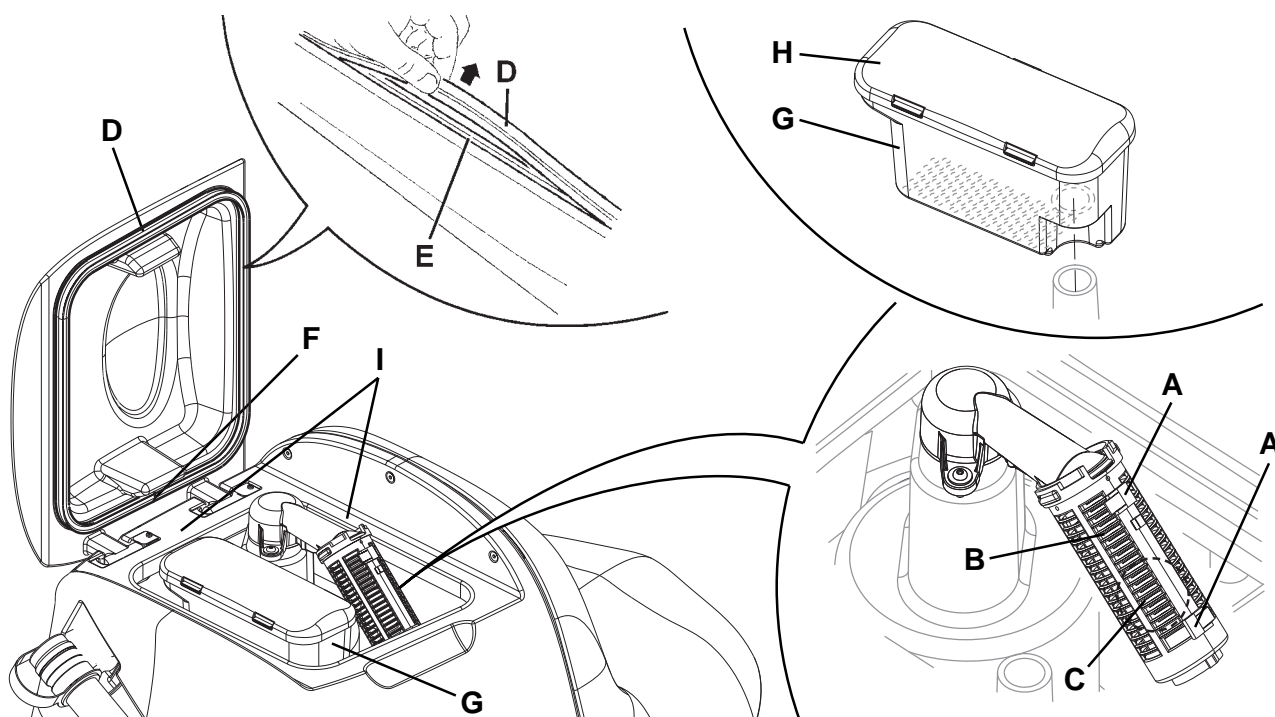


Figure 8

P100442

NETTOYAGE DU FILTRE DU MOTEUR DU SYSTEME D'ASPIRATION

1. Porter la machine sur un sol plat.
2. Positionner la clé de contact (58) sur "0".
3. Ouvrir le couvercle (20) et contrôler si le réservoir de l'eau de récupération (19) est vide. Dans le cas contraire, le vider au moyen du tuyau de vidange (24).
4. Fermer le couvercle (20).
5. Soulever avec soin le groupe réservoirs (19) du côté gauche.
6. Contrôler que le filtre (37) est propre. Si besoin est, le nettoyer à l'eau et à l'air comprimé, puis l'installer à nouveau.

NETTOYAGE DU FILTRE DE LA SOLUTION

1. Porter la machine sur un sol plat.
2. Positionner la clé de contact (58) sur "0".
3. Fermer le robinet (A, Fig. 10) de la solution situé dessous la machine, derrière la roue arrière droite. Le robinet (A) est fermé quand il se trouve dans la position (B) par rapport au robinet et il est ouvert quand il se trouve dans la position (C).
4. Retirer le petit glas transparent (D), récupérer le joint d'étanchéité (E), puis retirer le filet filtrant (F). Les nettoyer à l'eau et les reposer dans le support (G).



REMARQUE

Positionner correctement le filet filtrant (F) dans le logement (H) du petit glas (D).

5. Ouvrir le robinet (A).

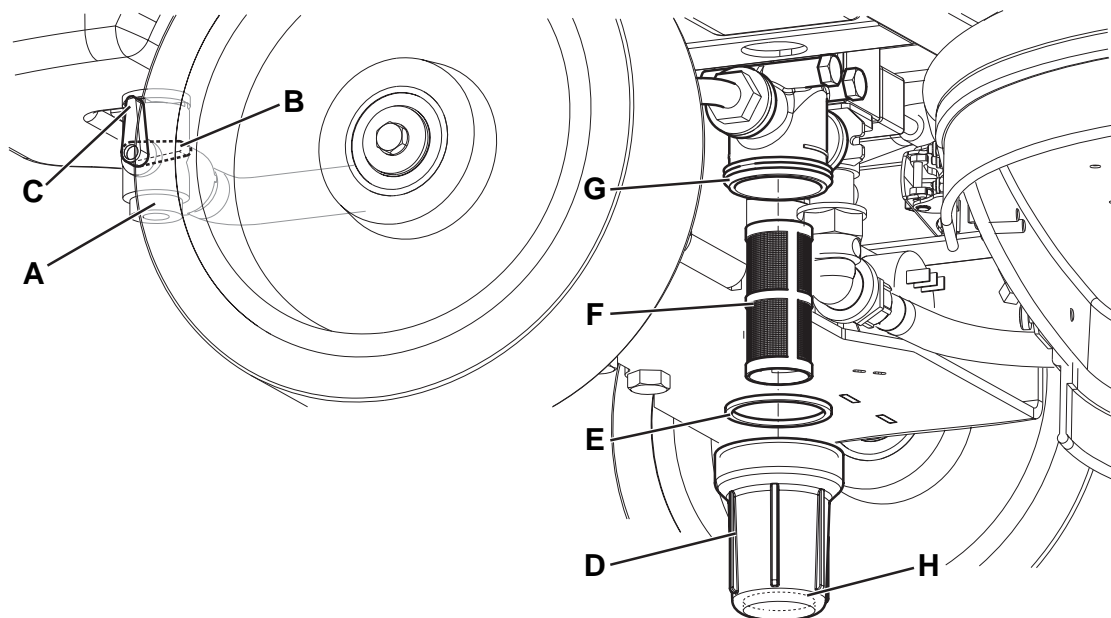


Figure 10

P100444

CHARGEMENT DES BATTERIES



REMARQUE

Charger les batteries lorsque le DEL jaune ou rouge de l'indicateur de l'état de charge des batteries (62) s'allume, ou à la fin du travail.



AVERTISSEMENT !

Garder les batteries chargées prolonge leur vie utile.



AVERTISSEMENT !

Lorsque les batteries sont déchargées, les recharger dès que possible, afin de ne pas réduire leur durée de vie utile.

Contrôler la charge des batteries au moins une fois par semaine.



ATTENTION !

Le chargement de batteries produit un gaz hydrogène très explosif. Charger les batteries dans un endroit bien aéré et loin de flammes libres.

Ne pas fumer pendant le chargement des batteries.

Garder le groupe réservoir ouvert ou soulevé au moyen du pied de support (25) pendant tout le cycle de rechargement des batteries.



ATTENTION !

Pendant le rechargement des batteries, faire attention à d'éventuelles pertes de liquide des batteries. Ce liquide est corrosif. En cas de contact avec les yeux ou la peau, rincer abondamment à l'eau et consulter un médecin.

Opérations préalables

1. Porter la machine sur un sol plat.
2. Ouvrir le couvercle (20) et contrôler si le réservoir (19) est vide ; dans le cas contraire, le vider au moyen du tuyau de vidange (24).
3. Fermer le couvercle (20).
4. Soulever avec soin le groupe réservoirs (19) du côté gauche.
5. (Exclusivement pour batteries WET) Contrôler le niveau de l'électrolyte dans les batteries (39). Si besoin est, dévisser les bouchons (40) et remplir.
Après l'appoint du niveau, fermer les bouchons (40) et, si besoin est, nettoyer la surface supérieure des batteries.

Chargement des batteries

6. Brancher le câble (41) du chargeur de batterie au réseau électrique (la tension et la fréquence de réseau doivent coïncider avec les valeurs correspondantes du chargeur de batterie, indiquées sur la plaque avec numéro de série de la machine).



REMARQUE

Lorsque le chargeur de batterie est branché au réseau électrique, toutes les fonctions de la machine sont automatiquement exclues.

- Le DEL de charge des batteries rouge (62) allumé fixe indique que le chargeur de batterie est en train de charger les batteries.
 - Le DEL de charge des batteries jaune (62) allumé fixe indique que le chargeur de batterie est en train de compléter le chargement les batteries.
4. Lorsque le DEL vert s'allume, le cycle de chargement des batteries est terminé.
 5. Le cycle de chargement terminé, débrancher le câble (41) du chargeur de batterie du réseau électrique et l'enrouler autour du logement correspondant derrière le chargeur de batterie.
 6. Baisser le groupe réservoirs (19) avec soin.
 7. La machine est prête à l'utilisation.



REMARQUE

Pour de plus amples informations relatives au fonctionnement du chargeur de batterie (16), consulter le manuel de chargeur de batterie.

VIDANGE DU CHEMICAL MIXING SYSTEM

(Pour autolaveuses avec Chemical Mixing System)

1. Pour éliminer toute trace de détergent dans les tuyaux et dans la pompe du détergent, procéder comme suit.
2. Démarrer la machine en tournant la clé de contact (58) en position "I".
3. Appuyer sur le bouton-poussoir (53). Contrôler que le DEL (54) du bouton-poussoir s'allume.
4. Appuyer en même temps sur les boutons-poussoirs (53 et 59), jusqu'à ce que le DEL (54) commence à clignoter (après 5 secondes environ).
5. Relâcher les boutons-poussoirs et attendre jusqu'à ce que le DEL (54) arrête de clignoter et que le système d'aspiration soit activé.
6. Aspirer les traces de détergent sur le sol.
7. Positionner la clé de contact (58) sur "0".
8. Soulever le réservoir (19), puis contrôler que le tuyau du conteneur du détergent (42) soit vide ; dans le cas contraire, répéter les étapes de 3 à 7.



REMARQUE

Si nécessaire vider le réservoir de l'eau de récupération (19) avec le tuyau (24).

Le cycle de purge, qui permet d'éliminer les traces de détergent, dure 30 secondes environ, ensuite la fonction d'aspiration s'enclenche automatiquement.

L'opération de vidange peut être effectuée même avec le conteneur du détergent (42) plein d'eau ; de cette façon on effectue un lavage à fond du système.

Il est convenable d'effectuer ce type de vidange lorsque le Chemical Mixing System est très sale / incrusté après de longues périodes d'inactivité / d'absence de nettoyage de la machine.

L'opération de vidange peut être effectuée aussi pour accélérer le remplissage du tuyau d'alimentation du détergent avec le conteneur (42) plein et le système encore vide.

L'opération de vidange, en cas de nécessité, peut être effectuée plusieurs fois de suite.

CONTROLE / REMPLACEMENT DES FUSIBLES



REMARQUE

Tous les circuits électriques de la machine sont protégés par des dispositifs électroniques à restaurer automatiquement.

Les fusibles de sécurité agissent seulement en cas de pannes graves.

Par conséquent, on conseille de contacter le personnel qualifié pour l'éventuel remplacement des fusibles.

Se référer au manuel d'entretien consultable auprès des revendeurs Clarke.

FONCTIONS DE SECURITE

La machine est équipée des fonctions de sécurité suivantes.

BOUTON-POUSSOIR D'URGENCE

Il est placé dans une position (8) facilement accessible par l'opérateur. Il doit être appuyé avec force en cas de nécessité immédiate, pour arrêter toutes les fonctions de la machine.

Pour restaurer le fonctionnement de la machine, soulever le groupe réservoirs (19) du côté gauche et brancher à nouveau le connecteur (9) des batteries.

SYSTEME DE SECURITE ANTI-DERAPAGE

Si besoin est, il réduit la vitesse lors des braquages et en cas de dérapage latéral de la machine à une valeur de sécurité, pour éviter toute dérapage soudain et augmenter la stabilité de la machine en toute condition.



MICROINTERRUPTEUR DU SIEGE DE CONDUITE

Il est positionné à l'intérieur du siège de conduite et il ne permet pas le fonctionnement du système de traction de la machine si l'opérateur n'est pas assis sur son siège.

FREIN ELECTROMAGNETIQUE

Il est intégré dans la roue avant et empêche le déplacement de la machine quand elle n'est pas démarrée et, de toute façon, lorsqu'elle est à l'arrêt.

DEPISTAGE DES PANNES

PROBLEME	CAUSE POSSIBLE	SOLUTION
Les moteurs ne fonctionnent pas ; aucun DEL ne s'allume.	Le connecteur des batteries est débranché.	Connecter.
	Les batteries sont complètement déchargées.	Charger les batteries.
La machine ne bouge pas et l'afficheur (71) visualise le code d'erreur : 	La machine a été démarrée au moyen de la clé de contact en appuyant sur la pédale.	Relâcher la pédale de marche. Si le problème persiste, contacter un service après-vente agréé.
Lors de la mise en marche de la machine, le DEL (64) du bouton-poussoir (63) clignote et les brosses ne tournent pas.	La machine a été arrêtée sans soulever la tête porte-brosses	Attendre le soulèvement de la tête avant d'actionner à nouveau les brosses avec le bouton-poussoir (63).
Les brosses ne tournent pas ; le DEL rouge (62) clignote.	Batteries déchargées	Charger les batteries.
Les 3 DELS (62) clignotent simultanément.	Surcharge des moteurs des brosses.	Utiliser des brosses moins dures ou de type différent, ou ne pas travailler avec la fonction d'extra-pression activée.
	Présence de corps étrangers (fils entortillés, etc.) qui risquent de freiner la rotation des brosses.	Nettoyer les moyeux de brosses.
L'afficheur (71) visualise un code d'erreur du type suivant :  où "00" est remplacé par un code différent de "t4".	Condition d'alarme du système électronique de contrôle de la machine.	Arrêter et démarrer à nouveau la machine. Si le problème persiste, contacter un service après-vente agréé Clarke.
L'aspiration de l'eau sale est insuffisante	Le réservoir de l'eau de récupération est plein.	Vider le réservoir.
	La grille d'aspiration est obstruée ou le flotteur est en position fermée.	Nettoyer la grille d'aspiration
	Le conteneur déchets avec la grille correspondante est colmaté.	Nettoyer.
	Le tuyau flexible est débranché de l'embouchure.	Connecter.
	L'embouchure est sale ou les lamelles en caoutchouc de l'embouchure sont usées ou endommagées.	Nettoyer l'embouchure ou tourner / remplacer les lamelles en caoutchouc
	Le couvercle du réservoir n'est pas bien fermé ou le joint d'étanchéité est usé.	Fermer correctement le couvercle ou nettoyer / remplacer le joint
Le flux de solution aux brosses est insuffisant	Le réservoir de solution est vide	Remplir
	Le filtre de la solution est sale.	Nettoyer le filtre.
	Conteneur du Chemical Mixing System (optionnel) sale / encrassé.	Nettoyer avec le cycle de vidange.
L'embouchure laisse des traces au sol.	Débris sous les lamelles en caoutchouc de l'embouchure.	Enlever les débris.
	Les lamelles en caoutchouc de l'embouchure sont usées, ébréchées ou déchirées.	Tourner ou remplacer les lamelles en caoutchouc.
	L'embouchure n'a pas été équilibrée au moyen du volant de réglage.	Régler l'embouchure.



REMARQUE

Si la machine a été achetée avec un chargeur de batterie installé, elle ne peut pas fonctionner sans cet appareil. En cas de panne du chargeur de batterie, s'adresser à un Service après-vente agréé Clarke.

En cas de doutes ou pour avoir plus de renseignements, contacter les Services après-vente Clarke.

MISE A LA FERRAILLE

Effectuer la mise à la ferraille de la machine auprès d'un démolisseur autorisé.

Avant d'effectuer la mise à la ferraille de la machine il est nécessaire de déposer et séparer les éléments suivants et les envoyer aux collectes sélectives, conformément aux normes d'hygiène de l'environnement en vigueur :

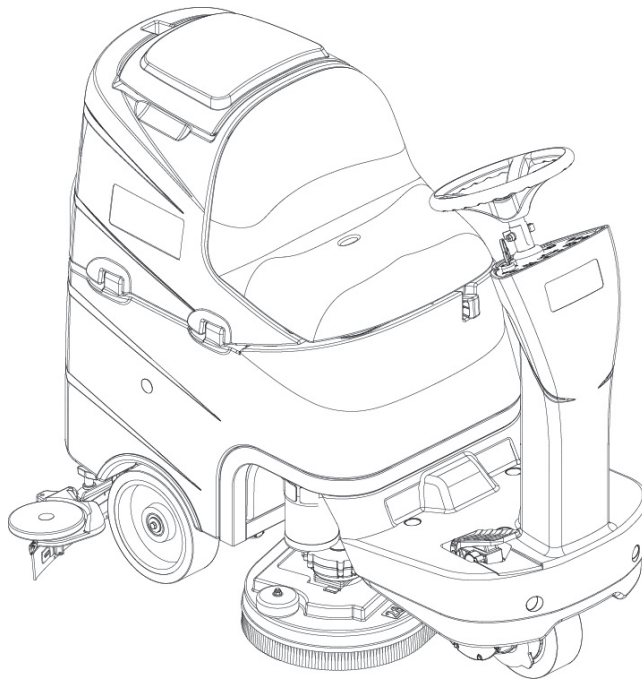
- Batteries
- Broses
- Tuyaux et pièces en matériel plastique
- Parties électriques et électroniques (*)

(*) Notamment pour la mise en décharge des parties électriques et électroniques, s'adresser auprès du Services centre Clarke le plus proche.

Clarke[®]

FOCUS II[™]

Micro Rider



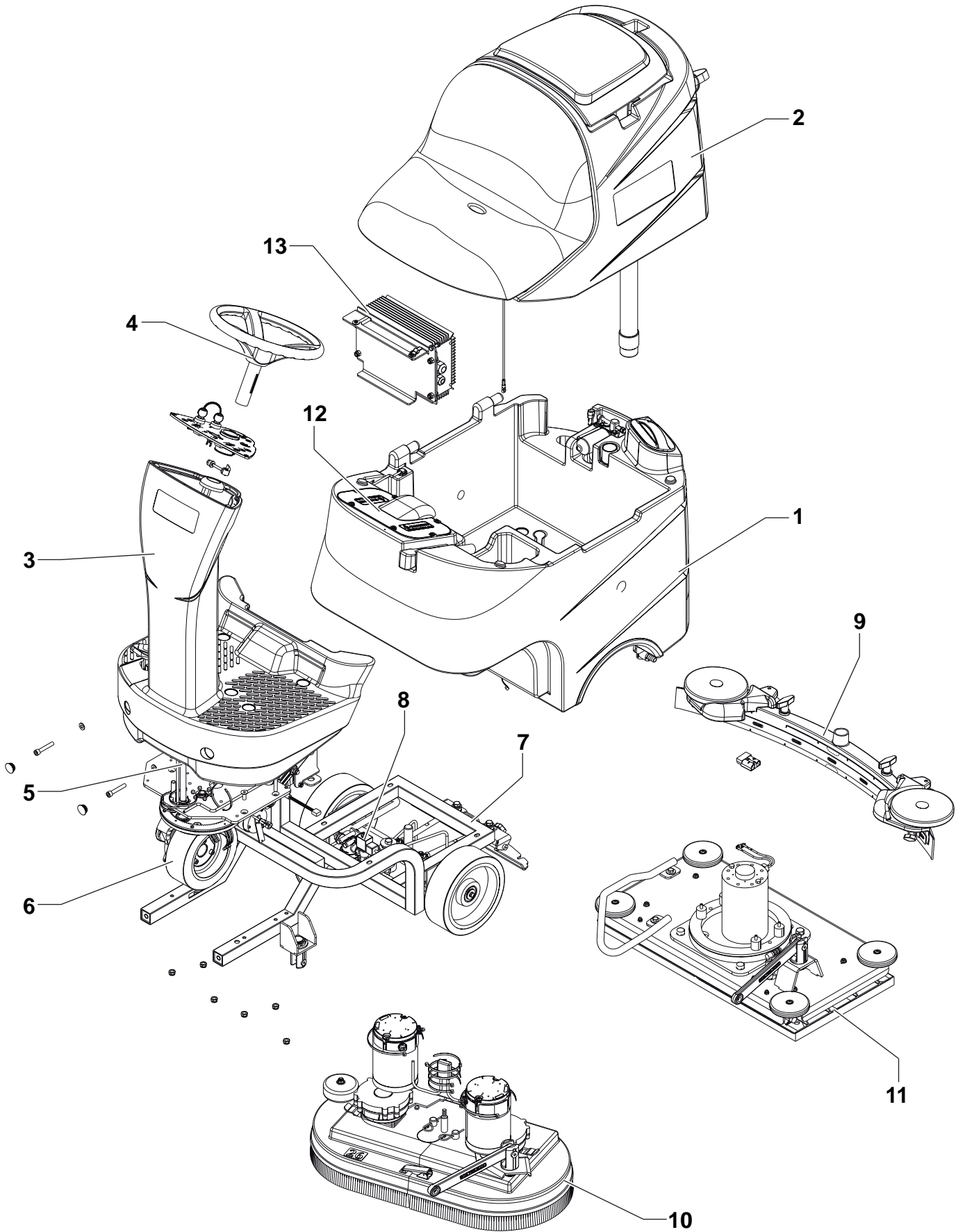
Parts List

[] = Not shown

* = optional

= Modified item No. or New item No.

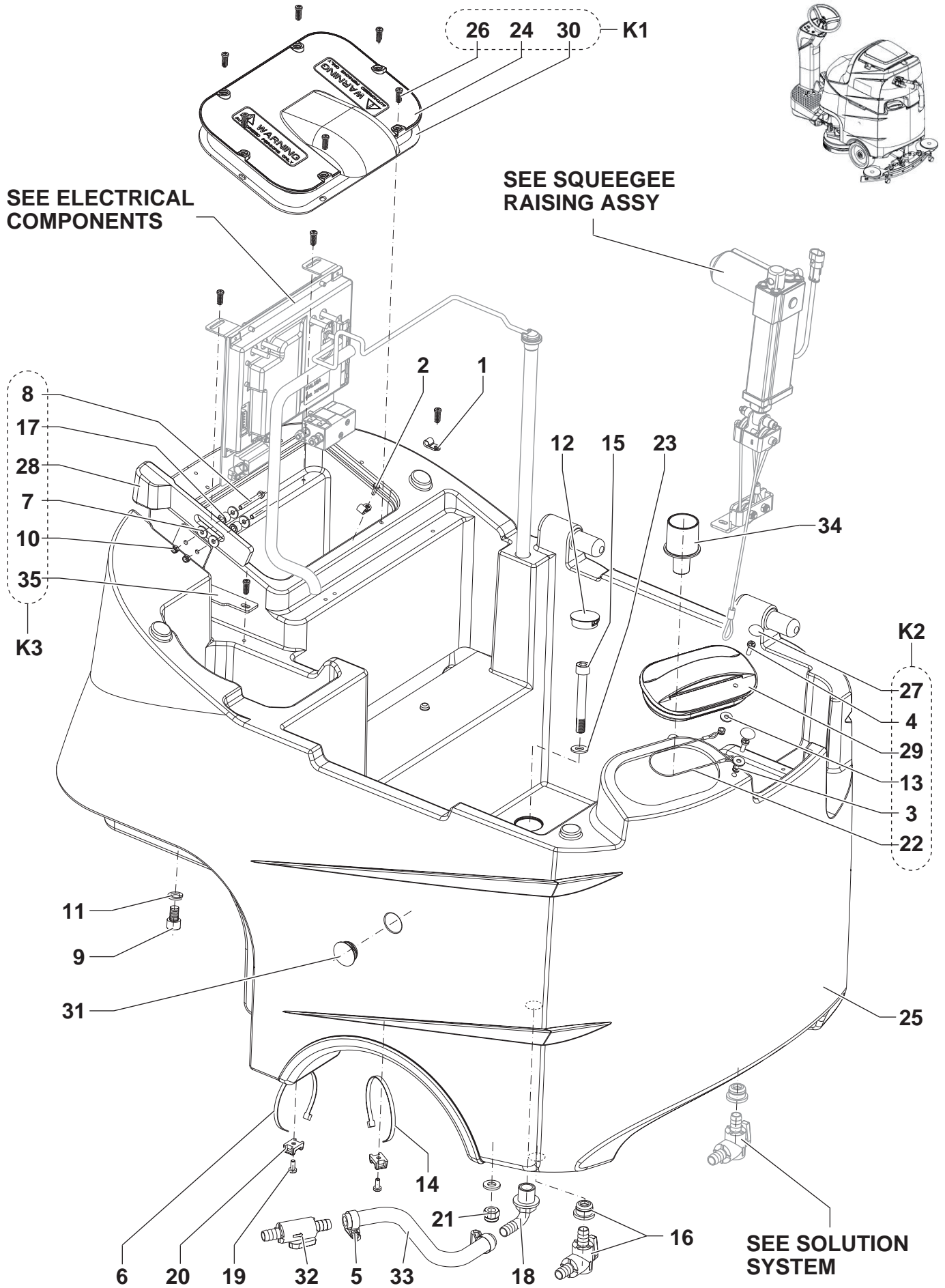
GENERAL VIEW



GENERAL VIEW

Ref.	Part No.	Description	Qty
1		SOLUTION TANK	1
2		RECOVERY TANK	1
3		COLUMN SYSTEM	1
4		STEERING ASSY	1
5		STEERING WHEEL SUPPORT ASSEMBLY	1
6		DRIVE WHEEL ASSEMBLY	1
7		CHASSIS SYSTEM	1
8		SOLUTION SYSTEM	1
9		SQUEEGEE SYSTEMS	1
10		BRUSHES DECK SYSTEM 650	1
11		BOOST DECK SYSTEM	1
12		ELECTRICAL COMPONENTS	1
13		BATTERY CHARGER	1

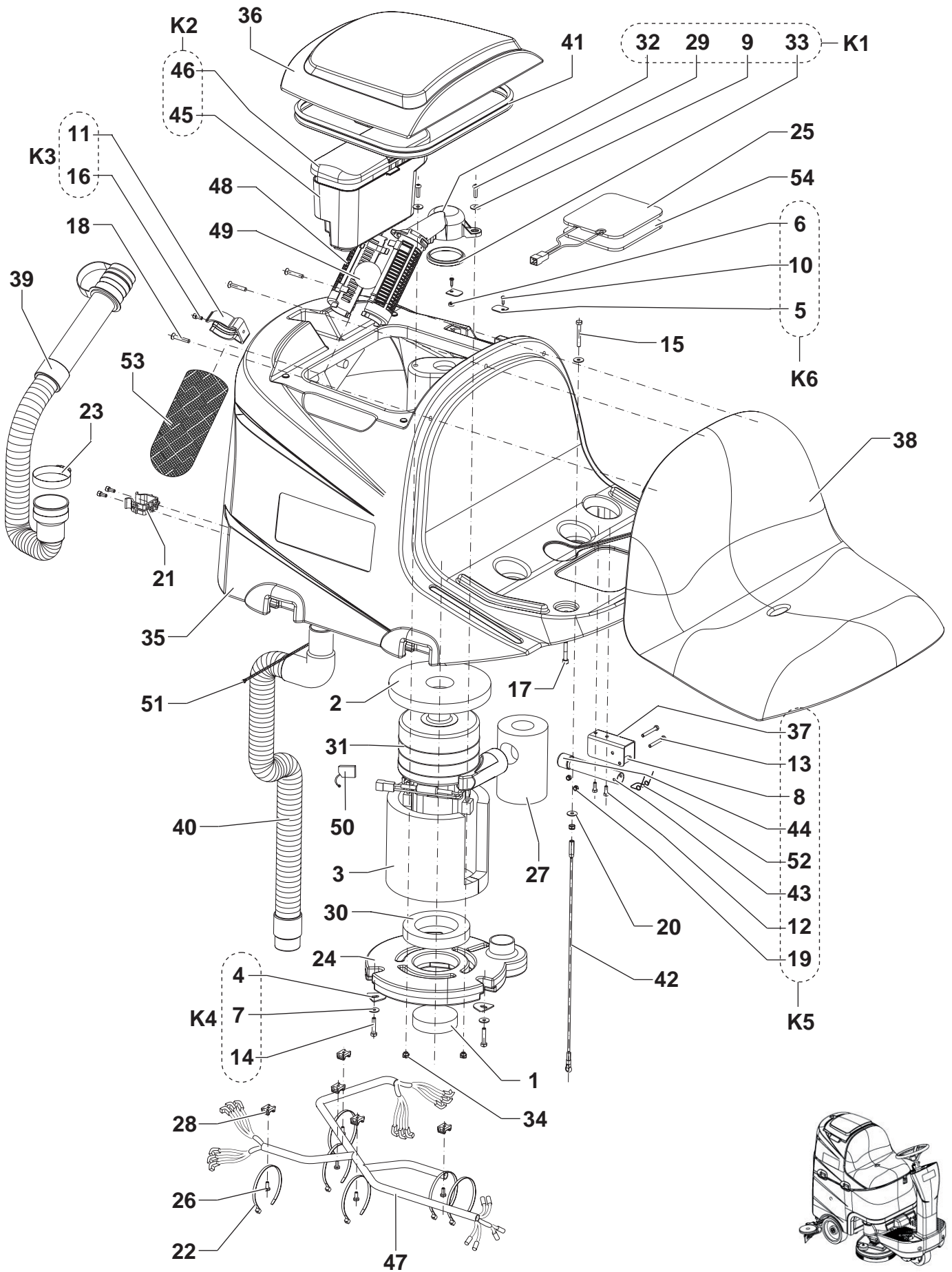
SOLUTION TANK



SOLUTION TANK

Kit	Ref.	Part No.	Description	Qty
K4	1		CLAMP D.6 WHITE	2
K4	2		SCREW 3.9X13 UNI6954	1
K2	3		NUT, HEX METRIC M5 SS	2
K2	4		SCR, PAN PHIL M5x16 SS	2
K4	5		CLAMP 09/12-22	2
K4	6		CLAMP 290X4.8	1
K3	7		WASHER 5X15 UNI6593	4
K3	8		SCREW, HEX THD TO HD M5x40	2
K4	9		SCREW M10X16 UNI5931	2
K3	10		NUT SELF L. M5 UNI7474	2
K4	11		WASHER M10 UNI1751B	2
K4	12		CAP BLACK	4
K2	13		WASHER, FLAT 5x15 XL SS	2
K4	14		CLAMP BLACK 4,8x200	1
K4	15		SCREW M10X75 UNI5931	4
	16	9097626000	VALVE ELBOW KIT	1
K3	17		SPACER 6,5X12X10	2
	18	909 6087 000	ELBOW CURVED 90. M 1/2	1
K4	19		SCREW M5X12 UNI7687	2
K4	20		HOLDER.FLAT TIE	2
K4	21		NUT SELF L. M10 UNI7474	4
K2	22		CABLE OPENING CAP	1
K4	23		WASHER M10 UNI6592	8
K1	24		COVER ELECTRIC COMPONENTS	1
	25	9098347000	TANK SOLUTION BLUE	1
K1-K4	26		SCREW CYL HD 5X16 SELF L.	15
K2	27		SCREW CAP 4,8mm	2
K3	28		LEVER BATTERY CONNECTOR	1
K2	29		SOLUTION CAP	1
K1	30		GASKET ELECTR.COVER	1
	31	L08812365	CAP. BLACK	2
	32	9098173000	VALVE 1/2-1/2	1
	33	9098175000	PIPE	1
	34	9098224000	MUFF FRESH WATER	1
K3	35		BRACKET SUPPORT BATTERY	1
	K1	9098707000	COVER ELECTRIC COMPONENTS KIT	1
	K2	9099167000	CAP SOLUTION KIT	1
	K3	9098710000	LEVER BATTERY KIT	1
	[K4]	9098711000	HW KIT SOLUTION TANK	1

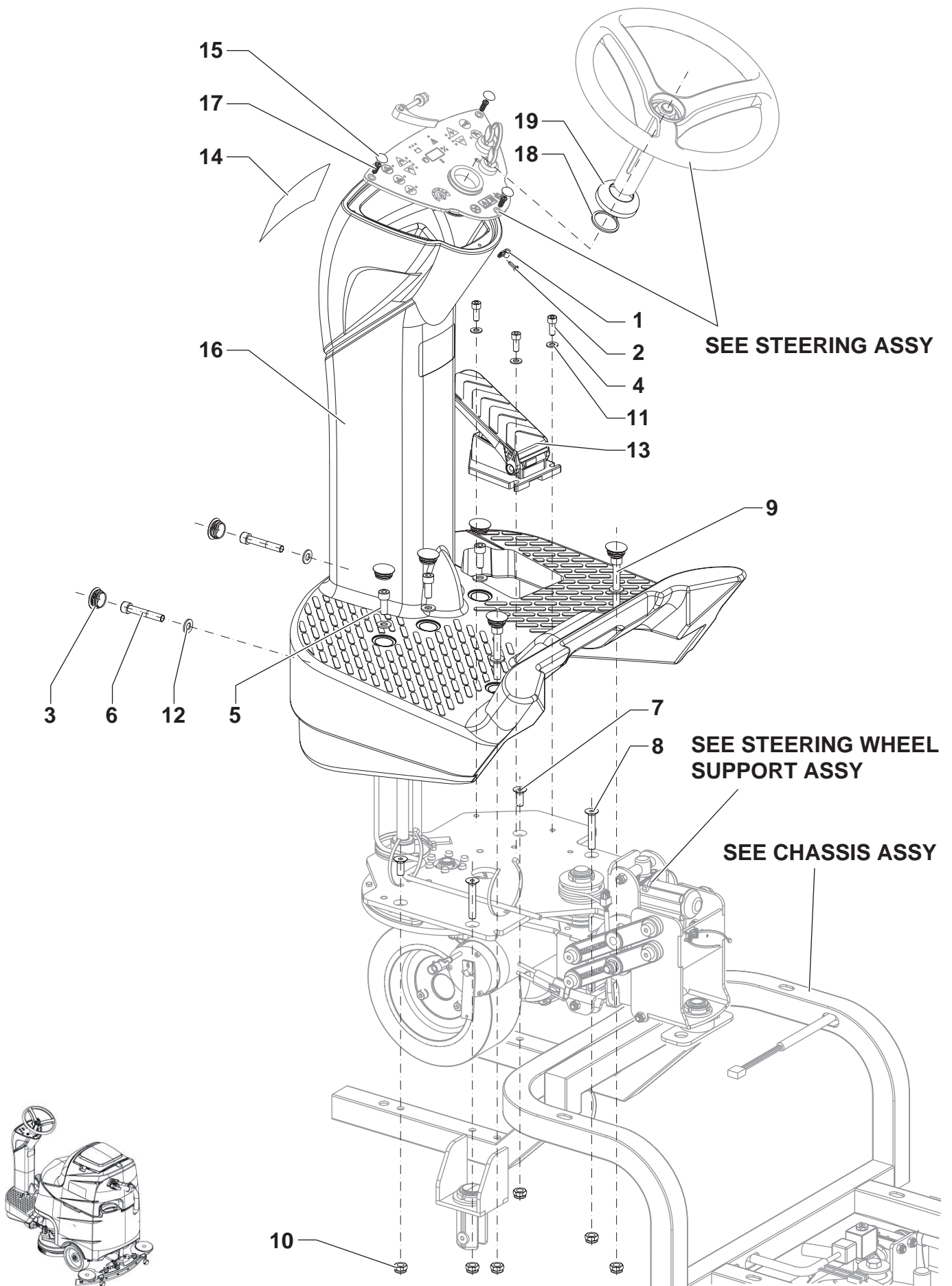
RECOVERY TANK



RECOVERY TANK

Kit	Ref.	Part No.	Description	Qty
	1	909 6672 000	FILTER	1
	2	909 6489 000	GASKET VACUUM MOTOR	1
	3	909 6491 000	PANEL ACOUSTIC INSULATION	1
K4	4		PLATE VACUUM COVER	3
K6	5		PLATE TANK COVER	2
K6	6		BUSH FLANGED	1
K4-K7	7		WASHER 6X18 UNI6592	5
K5	8		SPACER 7X10X19	1
K1	9		WASHER 6X18X1.5 UNI6593	2
K6	10		SCREW CYL HD SELFL 3.9X12	2
K3	11		CLAMP.HOSE D.50	1
K5	12		SCREW M5X14 UNI5739	2
K5	13		SCREW M5X40 UNI5739	2
K4	14		SCREW M6X30 UNI5739	3
K7	15		SCREW M6X45 UNI5739	1
K3	16		SCREW M5X12 UNI5931 SS	3
K7	17		SCREW M6X35 UNI5931	2
K7	18		SCREW M6X35 UNI5933	3
K5	19		NUT SELF L. M5 UNI7474	2
K7	20		NUT SELF L. M6 UNI7474	1
	21	56407361	CLAMP PLASTIC	1
K7	22		CLAMP BLACK 4,8x200	6
	23	146 0771 000	CLAMP	1
	24	909 6051 000	COVER.VACUUM MOTOR	1
	25	909 6242 000	MICROSWITCH (SW1)	1
K7	26		SCREW M5X12 UNI7687	5
	27	909 6442 000	PIPE.ACOUSTIC INSULATION	1
K7	28		HOLDER.FLAT TIE	5
K1	29		SCREW M6X20 ISO7380 SS	2
	30	9097555000	GASKET VACUUM MOTOR	1
	31	9097556000	MOTOR VACUUM 3ST 24V 420W (M2)	1
	31*	9098455000	MOTOR VACUUM 3 STAGE 670W (M2)	1
		9098456000	INSTRUCTIONS INSTALLATION	1
K1	32		CAGE FLOAT	1
K1	33		GASKET CAGE FLOAT	1
K7	34		NUT JAW M6X6 INOX SS	2
	35	9098348000	TANK RECOVERY BLUE	1
	36	9098349000	COVER TANK BLUE	1
K5	37		SUPPORT SAFETY BRACKET TA	1
	38	9097858000	SEAT	1
	39	9098894000	HOSE DRAIN	1
	40	9098169000	HOSE SUCTION	1
	41	9098895000	GASKET COVER	1
	42	9098177000	CABLE TANK STOP	1
K5	43		BRACKET STOP TANK	1
K5	44		CAP D.25 BLACK	1
K2	45		TRAY DEBRIS	1
K2	46		COVER TRAY DEBRIS	1
	47	9098235000	HARNESS RECOVERY TANK	1
	48	L08812259	CAGE.FLOAT CPL	2
	49	L08812373	BALL FLOATING	1
	50	9098716000	BRUSH CARBON KIT	1
K7	51		CLAMP RED	1
K5	52		SPRING TORSION SAFETY BRA	1
	53*	909 5065 000	FILTER ANTIFOAMING	1
	54	9099210000	ADESIVE THICKNESS	1
	K1	9097681000	CAGE FLOAT HOLDER KIT	1
	K2	9098712000	TRAY DEBRIS KIT	1
	K3	909 6380 000	CLAMP KIT	1
	K4	909 6877 000	HARDWARE MOTOR FIXING KIT	1
	K5	9098713000	BRACKET STOP KIT	1
	K6	9098714000	TANK FIXING KIT	1
	[K7]	9098715000	HW KIT TANK RECOVERY	1

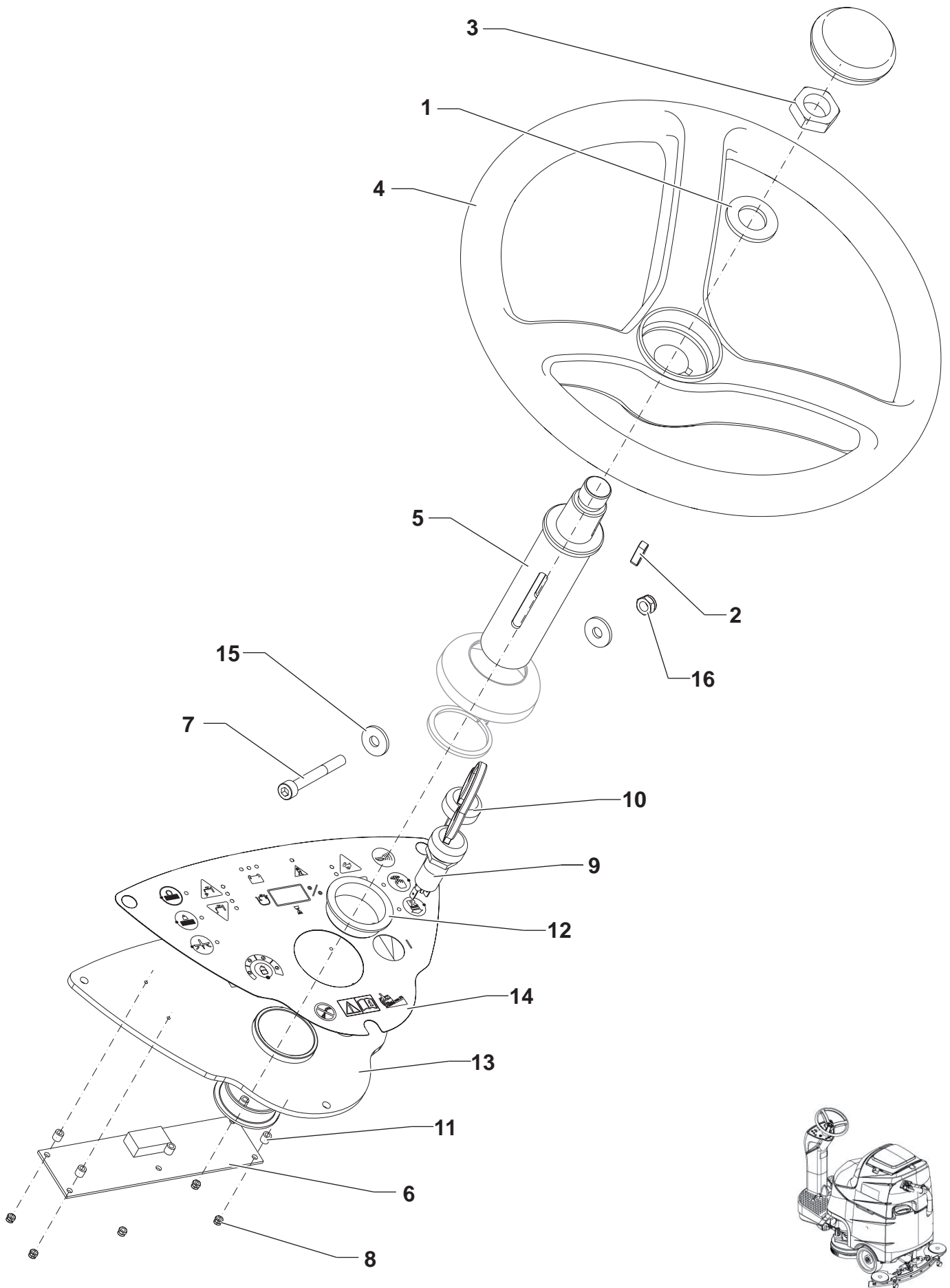
COLUMN SYSTEM



COLUMN SYSTEM

Kit	Ref.	Part No.	Description	Qty
K1	1		CLAMP D.6 WHITE	1
K1	2		SCREW 3.9X13 UNI6954	1
K1	3		CAP. BLACK	7
K1	4		SCREW M8X20 UNI5931	3
K1	5		SCREW M10X25 UNI5931	3
K1	6		SCREW M10X60 UNI5931	2
K1	7		SCREW M10X25 UNI5933	2
K1	8		SCREW M10X60 UNI5933	2
K1	9		SCREW M10X75 UNI5931	2
K1	10		NUT SELF L. M10 UNI7474	6
K1	11		WASHER M8 UNI6592	3
K1	12		WASHER M10 UNI6592	7
	13	9097934000	PEDAL SPEED CONTROL (RV1)	1
	14	9098964000	LABELS KIT FOCUS II RIDER	1
K1	15		CAP SCREW	3
	16	9098346000	FOOTBOARD WITH COLUMN BLUE	1
K1	17		SCREW CYL HD 5X16 SELF L.	3
	18			1
K1	19	9097806000	PROTECTION STEERING RING	1
	[K1]	9098718000	HW KIT COLUMN SYSTEM	1

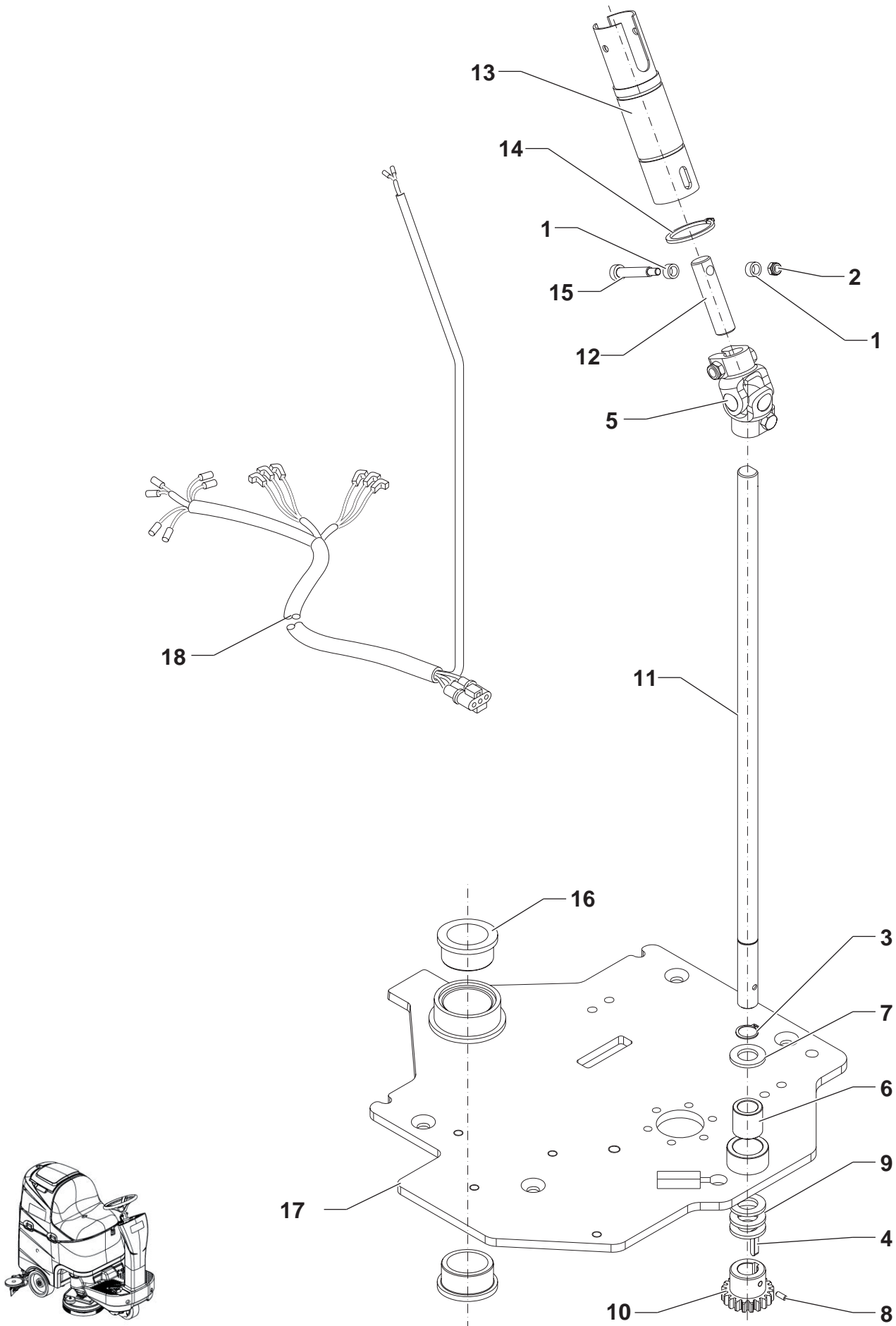
STEERING ASSY



STEERING ASSY

Kit	Ref.	Part No.	Description	Qty
K1	1		WASHER M18 UNI6592	1
	2	145 9774 000	KEY 5X5X20 UNI6604A	1
K1	3		NUT HEX M18X1.5 UNI5589	1
	4	909 6072 000	WHEEL. STEERING D.320	1
	5	9098782000	TUBE STEERING WHEEL ADJUSTMENT	1
	6	9098783000	CARD ELECTRONIC DASHBOARD (EB2)	1
	7	33004352	SCREW M6X50 UNI5931	1
K1	8		NUT SELF L. M3 UNI7474	5
	9	146 2888 000	SWITCH KEY WITH CAP (K1)	1
	10	146 2887 000	KEY -2 PCS-	1
K1	11		SPACER 3.7X6.4X6.4	5
	12	9097843000	BUSH FLANGED D.40X44X52	2
	13	9098780000	PLATE STEERING WHEEL FIXING	1
	14	9098781000	DECAL CONTROL PANEL (EB3)	1
	15	33003742	WASHER 6X18 UNI6593	2
	16	33005604	NUT SELF L. M6 UNI7474	1
	[K1]	9099169000	HW KIT STEERING ASSY	1

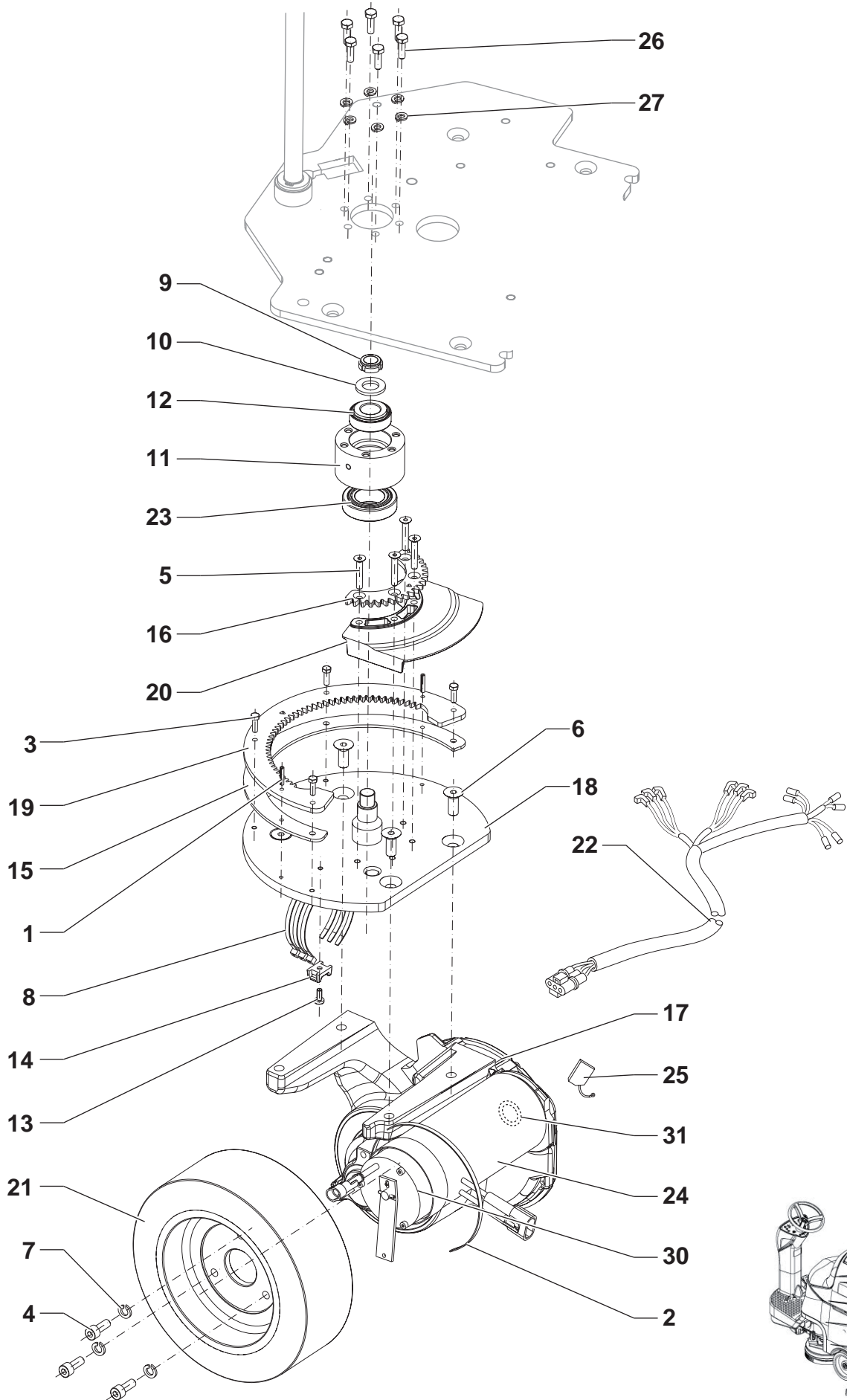
STEERING WHEEL SUPPORT ASSY



STEERING WHEEL SUPPORT ASSY

Kit	Ref.	Part No.	Description	Qty
K1	1		SPACER 8.1X12X6.5	2
K1	2		NUT SELF L. M6 UNI7474	1
K1	3		RING D 17 UNI7435	1
	4	145 8024 000	KEY JOINT 5X25	1
	5	145 9619 000	JOINT UNIVERSAL D.17	1
K1	6		BUSH	1
K1	7		WASHER M16 UNI6592	1
K1	8		SCREW GRUB M5X10 UNI5929	1
K1	9		WASHER 16X30 UNI6592	3
	10	909 5943 000	PINION STEERING	1
	11	9097840000	SHAFT STEERING L.546MM	1
	12	9098779000	SHAFT STEERING	1
	13	9097845000	TUBE STEERING	1
K1	14		RING D 40 UNI7436	1
	15	9098166000	SCREW SHOULDER M8X40	1
	16	9098216000	BUSH FLANGED D.30X38X44	1
	17	9097937000	PLATE STEERING SUPPORT	1
	18	9098891000	HARNESS FOOT BOARD	1
	[K1]	9098720000	HW KIT STEERING WHEEL SUPPORT	1

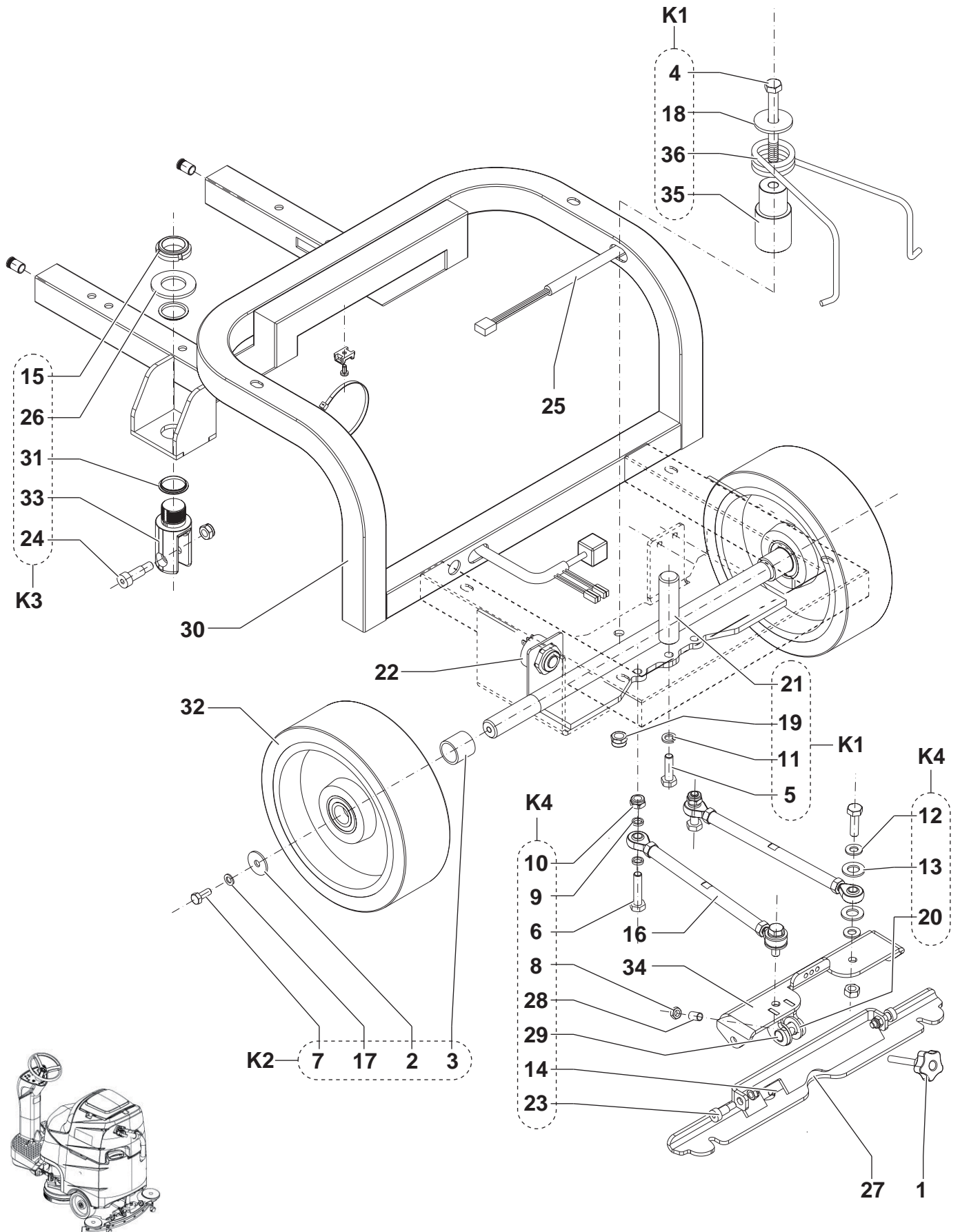
DRIVE WHEEL ASSY



DRIVE WHEEL ASSY

Kit	Ref.	Part No.	Description	Qty
K1	1		PIN 4X20 UNI6873	2
K1	2		CLAMP 4.8X430 WHITE	1
K1	3		SCREW M5X16 UNI5739	4
K1	4		SCREW M8X20 UNI5931	3
K1	5A		SCREW M6X35 UNI5933	4
K1	6		SCREW M10X25 UNI5933	4
K1	7		WASHER M8 UNI1751B	3
K1	8		CLAMP BLACK 4,8x200	3
K1	9		NUT RING	1
K1	10		WASHER M16 UNI6592	1
	11	909 5941 000	SUPPORT BALL BEARING	1
	12	909 5942 000	ROLLER BEARING	1
K1	13		SCREW M5X12 UNI7687	1
K1	14		HOLDER.FLAT TIE	1
	15	9097807000	SPACER CROWN STEERING	1
	16	9097809000	GEAR MAIN Z45	1
	17	9097834000	MOTOR WHEEL W300 24V	1
	18	9097837000	STEERING BRACKET	1
	19	9097841000	CROWN STEERING Z100	1
	20	9098165000	PROTECTION DRIVE WHEEL WI	1
	21	9098407000	WHEEL DRIVE	1
	22	9098430000	HARNESS WHEEL MOTOR	1
	23	145 4691 000	BALL BEARING	1
	24	9098625000	MOTOR ELECTRIC (M3)	1
	25	9098627000	BRUSH CARBON KIT	1
K1	26		SCREW M6X20 UNI5739	6
K1	27		WASHER M6 UNI1751B	6
	30	9098626000	BRAKE ELECTRIC.RELEASED (BRK)	1
	31	9098800000	SEAL OIL	1
	[K1]	9098721000	HW KIT DRIVE WHEEL	1

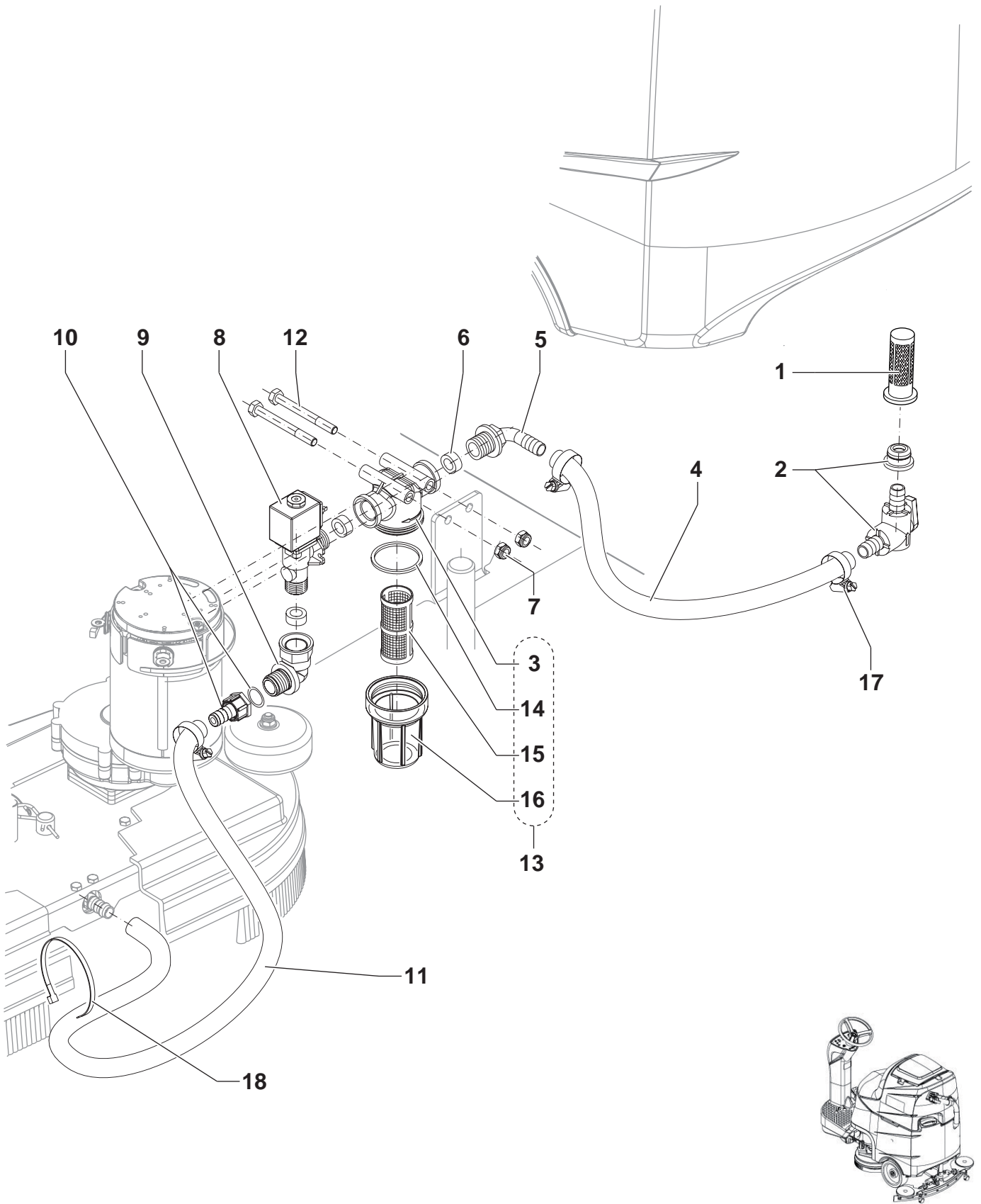
CHASSIS SYSTEM



CHASSIS SYSTEM

Kit	Ref.	Part No.	Description	Qty
	1	L08601574	HANDWHEEL M8X55	1
K2	2		WASHER 8X32 UNI6593	2
K2	3		SPACER D. 26X32X30	2
K1	4		SCREW M12X110 UNI5737	1
K1	5		SCREW M10X35 UNI5739	3
K4	6		SCREW M10X45 UNI5739	2
K2	7		SCREW M8X20 UNI5739	2
K4	8		NUT HEX M8 UNI5589	1
K4	9		SPACER D.10.5X14X3	4
K4	10		NUT SELF L. M10 UNI7474	2
K1	11		WASHER M10 UNI1751B	1
K4	12		WASHER M10 UNI6592	4
K4	13		WASHER M14 UNI6592	4
K4	14		SPACER ADJUSTING SQUEEGEE	1
K3	15		NUT RING	1
	16	9097931000	ROD EYE M10	2
K2	17		WASHER	2
K1	18		WASHER	1
K1	19		NUT SELF L. M12 UNI7474	1
K4	20		WASHER 16X30 UNI6592	2
K1	21		PIN FOR SQUEEGEE SPRING	1
	22	909 6126 000	BUZZER 5-32V (BZ1)	1
K4	23		SCREW SHOULDER M10X16	2
K3	24		SCREW SHOULDER M12X25	1
	25	9098236000	HARNESS REAR MACHINE	1
K3	26		WASHER M30 UNI6592	1
	27	9098390000	SUPPORT SQUEEGEE DOWN	1
K4	28		SPACER D. 8X10X15.5	1
K4	29		SPACER WITH HOLE	1
	30	9097798000	CHASSIS	1
K3	31		BUSH FLANGED D.30X32X37	2
	32	9097816000	WHEEL REAR D.254 80SH GRE	2
K3	33		BRACKET TURNING	1
	34	9097827000	SUPPORT SQUEEGEE UPPER	1
K1	35		PIN SUPPORT SQUEEGEE SPRI	1
K1	36		SPRING ZERO SETTING SQUEE	1
	K1	9098722000	CENTRING SQUEEGEE KIT	1
	K2	9098723000	FIXING WHEELS KIT	1
	K3	9098724000	BRACKET TURNING KIT	1
	K4	9098725000	HW KIT ROD EYE	1

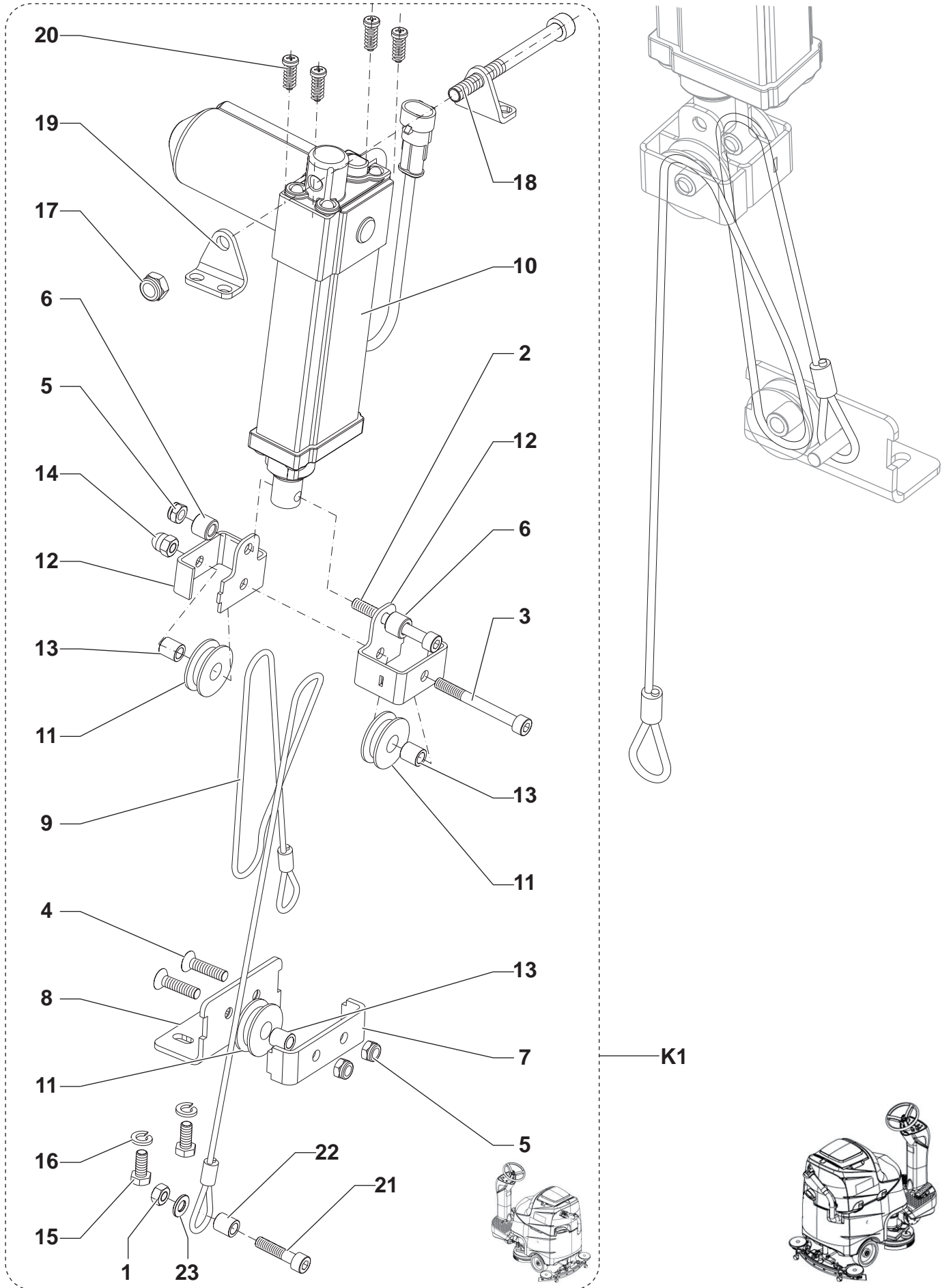
SOLUTION SYSTEM



SOLUTION SYSTEM

Kit	Ref.	Part No.	Description	Qty
	1*	9096916000	FILTER SOLUTION TANK	1
	2	9097626000	VALVE ELBOW KIT	1
	3		BODY FILTER	1
	4	9098120000	PIPE	1
	5	909 6087 000	NIPPLE 90° G1/2	1
	6	9097484000	GASKET	3
K1	7		NUT SELF L. M8 UNI7474	2
	8	909 6555 000	SOLENOID VALVE 24V (EV1)	1
	9	909 6086 000	ELBOW CURVED M/F	1
	10	9097115000	HOLDER RUBBER 1/2 FEMALE	1
	11	9097821000	PIPE L.1020	1
K1	12		SCREW M8X75 UNI5737	2
	13	9098115000	FILTER WATER KIT	1
	14	9097943000	GASKET FOR WATER FILTER	1
	15	9097944000	FILTER NET SS 50 MESH FOR	1
	16	9097945000	OVER TRASPARENT FOR WATE	1
K1	17		CLAMP 09/12-22	3
K1	18		CLAMP BLACK 4,8x200	1
	K1	9098726000	HW KIT SOLUTION SYSTEM	1

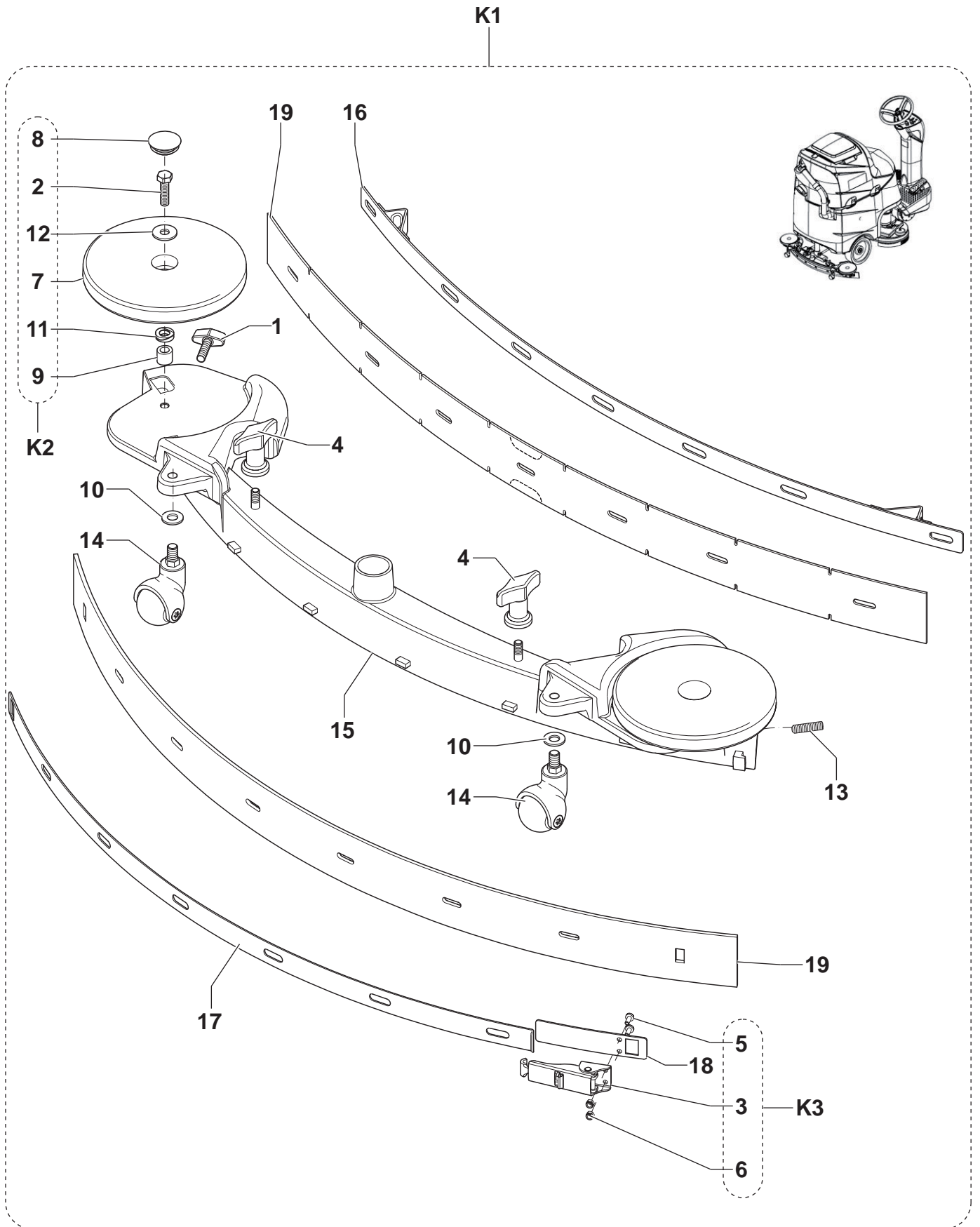
SQUEEGEE RAISING ASSY



SQUEEGEE RAISING ASSY

Kit	Ref.	Part No.	Description	Qty
K1	1		NUT SELF L. M6 UNI7474 SS	1
K1	2		SCREW M6X50 UNI5931	1
K1	3		SCREW M6X55 UNI5931	1
K1	4		SCREW M6X25 UNI5933	2
K1	5		NUT SELF L. M6 UNI7474	3
K1	6		SPACER 6,5X12X10	2
K1	7		PLATE COUNTER	1
K1	8		SUPPORT COUNTERPLATE	1
K1	9	9097933000	CABLE SQUEEGEE LIFTING	1
K1	10	9097985000	JACK MOTOR 24V FOR SQUEEGEE (M6)	1
K1	11	9098248000	PULLEY D.30	3
K1	12		BRACKET PULLEY SUPPORT	2
K1	13		SPACER D. 6.5X10X10.5	3
K1	14		NUT HEX M6 UNI5721	1
K1	15		SCREW M6X14 UNI5739	2
K1	16		WASHER M6 UNI1751B	2
K1	17		NUT SELF L. M8 UNI7474	1
K1	18		SCREW M8X90 UNI5931	1
K1	19		BRACKET SUPPORT JACK MOTO	1
K1	20		SCREW CYL HD 5X16 SELF L.	4
K1	21		SCREW M6X20 ISO7380 SS	1
K1	22		SPACER 6.5X10X5	1
K1	23		WASHER 6X18X1.5 UNI6593	1
	K1	9098708000	SQUEEGEE LIFTING KIT	1

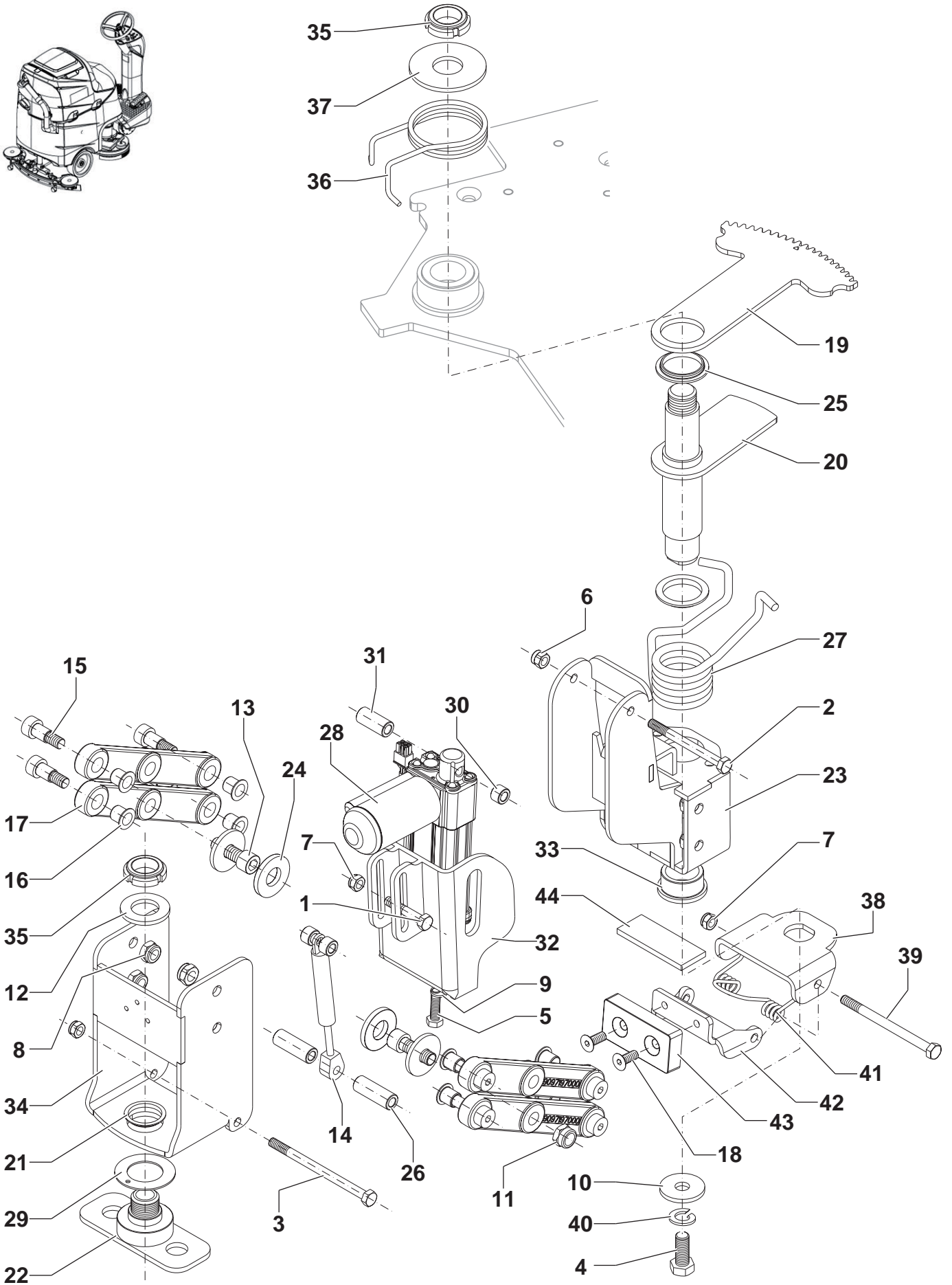
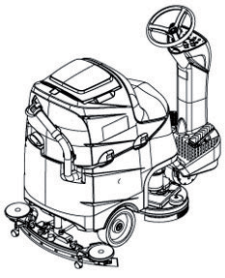
SQUEEGEE SYSTEMS



SQUEEGEE SYSTEMS

Kit	Ref.	Part No.	Description	Qty
K1	1	909 6551 000	KNOB M8X30 SS	1
K2	2		SCREW M8X30 UNI5739 SS	2
K3	3		LATCH SQUEEGEE	1
K1	4	9097637000	SQUEEGEE FIXING KIT	1
K3	5		SCREW M4X10 UNI7687 SS	2
K3	6		NUT SELF L. M4 UNI7474 SS	2
K2	7		ROLLER BUMPER	2
K2	8		CAP. BLACK	2
K2	9		SPACER 9X15X13	2
K1	10		WASHER M10 UNI6592	2
K2	11		WASHER 10X18 UNI8840A	2
K2	12		WASHER SST	2
K1	13	909 6600 000	SCREW GRUB M8X30 UNI5929	1
K1	14	9099163000	WHEEL CASTOR D.42	2
K1	15	9098379000	WELDMENT SQUEEGEE TOOL	1
K1	16	9098380000	STRAP FRONT SQUEEGEE 35	1
K1	17	9098381000	STRAP SKIRT REAR RIGHT 35	1
K1	18	9098382000	STRAP SKIRT REAR LEFT 35	1
K1	19	9098729000	BLADES PU 890MM/35" KIT	1
	K1	9098728000	SQUEEGEE CPL PU 890MM/35" KIT	1
K1	K2	909 6887 000	ROLLER BUMPER KIT	2
K1	K3	909 6394 000	LATCH SQUEEGEE KIT	1

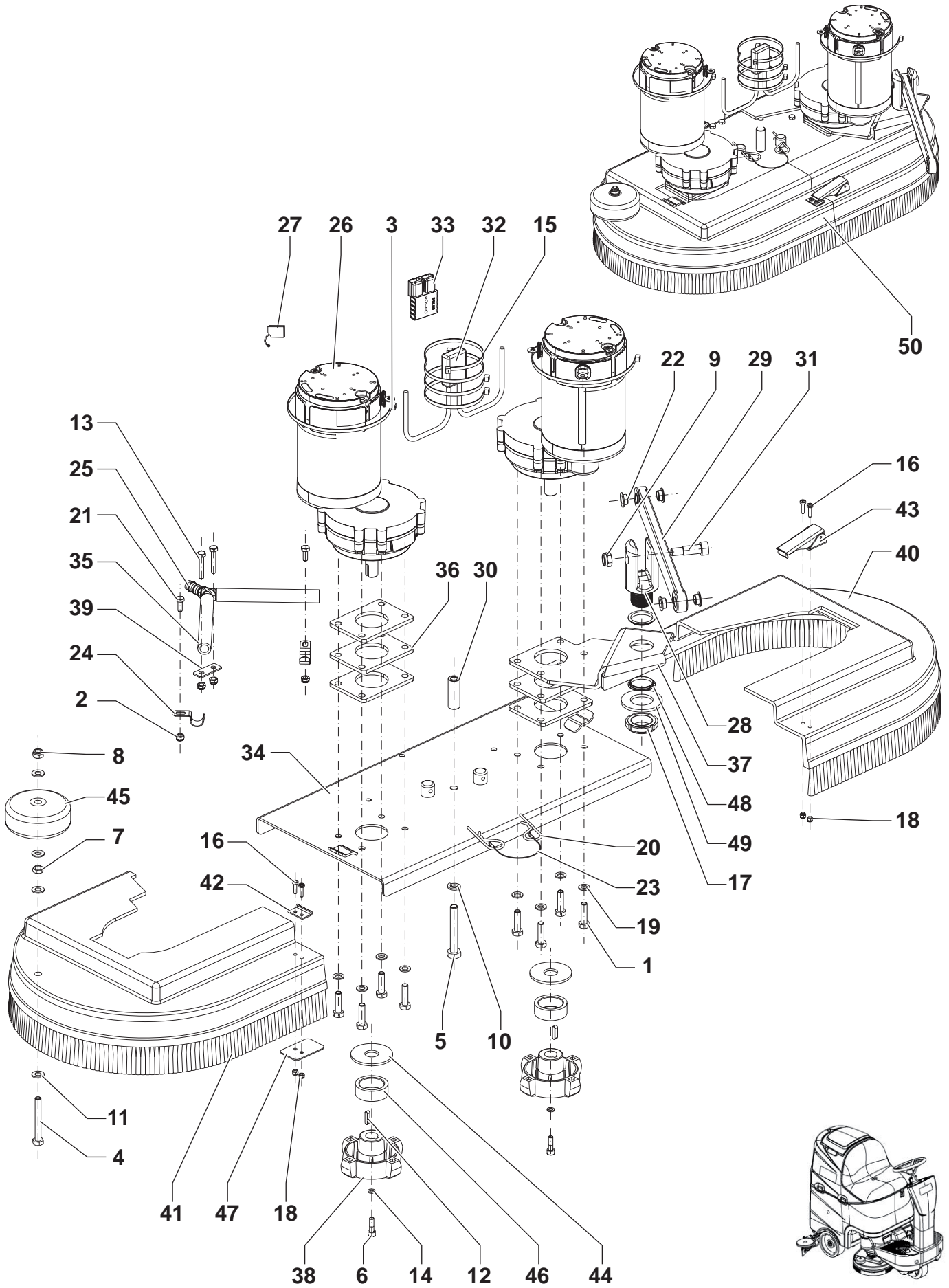
MAGIC DECK ASSEMBLY



MAGIC DECK ASSEMBLY

Kit	Ref.	Part No.	Description	Qty
K1	1		SCREW M8X45 UNI5737	1
K1	2		SCREW M8X90 UNI5737	1
K1	3		SCREW M8X120 UNI5737	1
K1	4		SCREW M12X30 UNI5739	1
K1	5		SCREW M8X30 UNI5739	1
K1	6		NUT SELF L. M8 UNI7473	1
K1	7		NUT SELF L. M8 UNI7474	3
K1	8		NUT SELF L. M10 UNI7474	4
K1	9		WASHER M8 UNI1751B	1
K1	10		WASHER 12X40X4	3
K1	11		NUT SELF L. M12 UNI7474	2
K1	12		WASHER M24 UNI6592	1
K1	13		SCREW M12X35 UNI5931	2
	14	909 5637 000	SPRING GAS	1
	15	909 6520 000	SCREW SHOULDER M12X16	8
	16	9097008000	BUSH FLANGED	8
	17	9097197000	LEVER	4
K1	18		SCREW M8X20 UNI5933	2
	19	9097810000	GEAR SLAVE	1
	20	9097811000	PIN DRIVEN CROWN	1
	21	9097812000	BUSH FLANGED D.30X32X37	1
	22	9097819000	BRACKET ROTATING SUPPORT	1
	23	9097822000	SUPPORT JACK	1
	24	9097824000	BUSH D.18.2X40	2
	25	9097835000	BUSH FLANGED D.35X39X47	2
	26	9097836000	SPACER D. 8.5X15X42	2
	27	9097850000	SPRING DRAGGING DECK	1
	28	9097852000	JACK MOTOR 24V FOR DECK (M5)	1
	29	9097854000	BUSH D.32X54	1
	30	9097938000	SPACER D. 8.5X15X10	3
	31	9097939000	SPACER D. 8.5X15X33	1
	32	9098176000	BRACKET LOWER JACK MOTOR	1
	33	9098216000	BUSH FLANGED D.30X38X44	1
	34	9098220000	BRACKET SUPPORT DECK	1
	35	9097823000	NUT RING M25X1,5 KMA5	2
	36	9097851000	SPRING ZERO SETTING BRUSH	1
	37	9098239000	WASHER FLAT D.25.5X65X4	1
	38	9098195000	FLANGE UP DRAGGING	1
K1	39		SCREW M8X110 UNI5737	1
K1	40		WASHER M12 UNI1751B	1
	41	9098197000	SPRING INSERTION DRAGGING	1
	42	9098196000	FLANGE DOWN DRAGGING	1
	43	9097813000	GUIDE DRAGGING DECK	1
	44	9098857000	RUBBER ANTISHOCK	1
	[K1]	9098727000	HW SUPPORT BRUSH DECK KIT	1

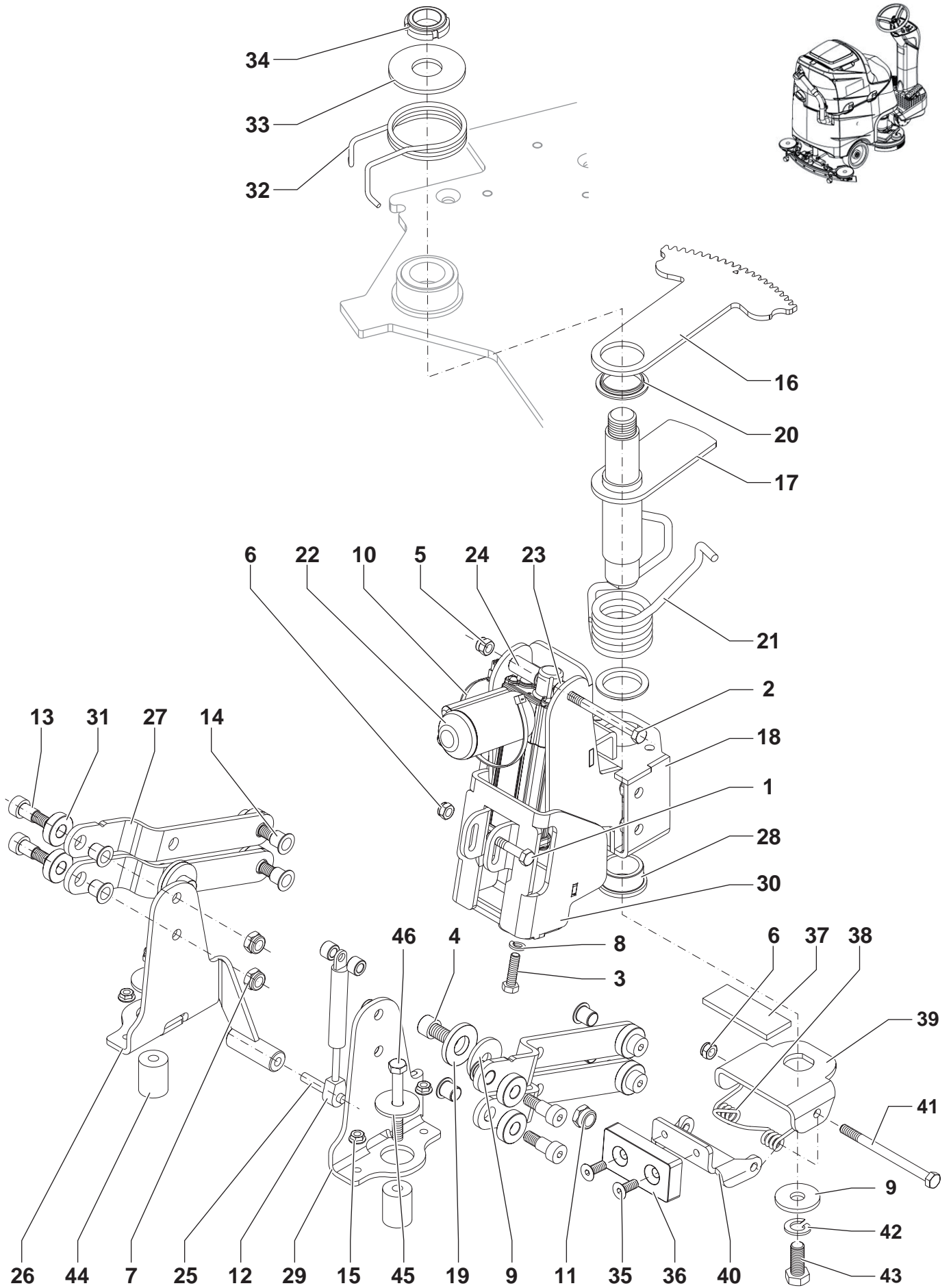
BRUSHES DECK SYSTEMS



BRUSHES DECK SYSTEMS

Kit	Ref.	Part No.	Description	Qty
K1	1		SCREW M8X30 SS	8
K1	2		NUT SELF LOCK M6 SS	4
K1	3		CLAMP 4.8X430 WHITE	2
K1	4		SCREW M8x65	1
K1	5		SCREW M10x70	1
K1	6		SCREW M6x20 SS	2
K1	7		NUT M8	1
K1	8		NUT, HEX NYL LOC THIN M8	1
K1	9		NUT, HEX NYL LOC THIN M10	1
K1	10		WASHER GROWER M10	1
K1	11		WASHER M8 UNI6592	4
K1	12		KEY 5X20	2
K1	13		SCREW M6X35 UNI5739 SS	2
K1	14		WASHER M6 UNI8842A SS	2
K1	15		CLAMP BLACK 4.8x200	4
K1	16		SCREW M4X16 UNI7687	4
K1	17		NUT RING M30X1.5 KMA6	1
K1	18		NUT SELF L. M4 UNI7474	4
K1	19		WASHER M8 UNI8842A	8
K1	20		PIN SPLIT 3X60 UNI8833	2
K1	21		SCREW M6X16 UNI5739 SS	2
K1	22		BUSH FLANGED	4
K1	23		CABLE STAINLESS STEEL	1
K1	24		CLAMP D.16	2
	25	909 6164 000	CONNECTION Y Ø13	1
	26	9097178000	MOTOR 24V 400W S1 220R (M1.1,2)	2
	27	909 5380 000	BRUSH CARBON W/HOLDER KIT	2
	28	9097839000	TURNING SUPPORT	1
	29	9097853000	SIDE ARM	1
K1	30		SPACER	1
K1	31		SCREW SHOULDER 12X25 M10	1
	32	9098374000	HARNESS BRUSH DECK	1
	33	9098761000	CONNECTOR 50A RED (C4)	1
	34	9098432000	PLATE,26" BRUSH 26"	1
	35	9098433000	HOSE 0.140mm	2
	36	9098434000	SPACER 5MM	5
	37	9098435000	SPACER SIDE ARM	1
	38	9098436000	HUB BRUSH	2
K1	39		PLATE FIXING	1
	40	30661A	BRUSH HOUSING L.H.	1
	41	30662A	BRUSH HOUSING R.H.	1
K1	42		KEEPER,LATCH	1
	43	55721A	LATCH,BRUSH HOUSING	1
K1	44		WASHER,RUBBER	2
	45	59950A	WHEEL,GUIDE	1
K1	46		COLLAR,BRUSH DRIVER	2
	47	69186A	TAB,LATCH,BRUSH	1
K1	48		BUSH FLANGED	2
K1	49		WASHER 31x56x4	1
	50	9099170000	BRUSHES DECK SYSTEM CPL 26D	1
	[K1]	9099174000	HW BRUSHES DECK KIT	1

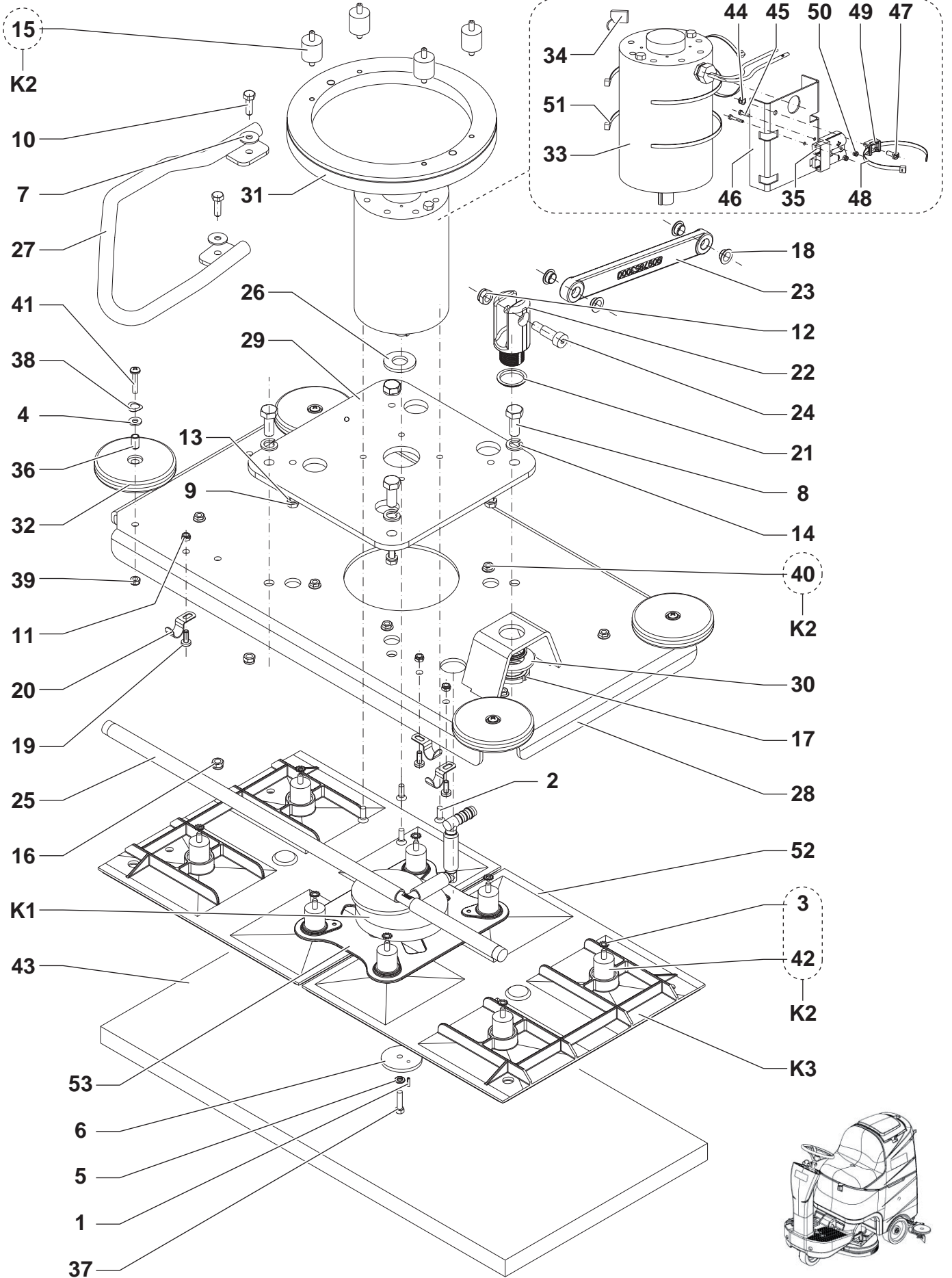
MAGIC DECK ASSEMBLY BOOST® BRUSH



MAGIC DECK ASSEMBLY BOOST® BRUSH

Kit	Ref.	Part No.	Description	Qty
K1	1		SCREW, HEX HD M8x45	1
K1	2		SCREW, HEX HD M8x90	1
K1	3		SCREW, HEX THD TO HD M8x30	1
K1	4		VITI TCEI/SCR, SOC HD	2
K1	5		NUT, HEX NYL LOC HVY M8	1
K1	6		NUT, HEX NYL LOC THIN M8	2
K1	7		NUT, HEX NYL LOC THIN M10	4
K1	8		WASHER, SPLIT LOCK d.8	1
K1	9		WASHER, FLAT XL	2
K1	10		TIE CABLE 4,8x200 BLACK	1
K1	11		NUT, HEX NYL LOC THIN M12	2
	12	909 5637 000	GAS SPRING 180N	1
K1	13		SCREW SHOULDER 12X16 M10 GEOMET 320 A	8
K1	14		IGUS BEARING, FLANGE	8
K1	15		NUT SERRATED FLANGE	4
	16	9097810000	SLAVE GEAR	1
	17	9097811000	SLAVE GEAR PIN	1
	18	9097822000	JACK SUPPORT	1
K1	19		BUSH	2
K1	20		IGUS BEARING, FLANGE	2
K1	21		DECK DRAGGING SPRING	1
	22	9097852000	JACK MOTOR 24V (M5)	1
K1	23		SPACER	3
K1	24		SPACER	1
K1	25		PIN D.8	1
	26	9098096000	PLATE LEFT BOOST DECK	1
	27	9098098000	ARM BOOST DECK	4
K1	28		IGUS BEARING, FLANGE	1
	29	9098228000	PLATE RIGHT BOOST DECK	1
	30	9098240000	BRACKET LOWER JACK MOTOR	1
K1	31		SPACER	8
K1	32		RESET SPRING	1
K1	33		ROND GREMB 25x65	1
K1	34		SELF LOCK NUT M25X1,25 KMA5	1
K1	35		SCREW, FLAT SOCKET HE	2
	36	9097813000	GUIDE	1
K1	37		ANTISHOCK RUBBER	1
K1	38		INSERTION DRAGGING SP	1
	39	9098195000	UP SWAYER FLANGE	1
	40	9098196000	DOWN SWAYER FLANGE	1
K1	41		VITE TE PF M8X110	1
K1	42		ROND GROWER M12	1
K1	43		VITE TE TF M12X30	1
	44	9098178000	SPACER 10,5x20x32	2
K1	45		WASHER 10x40x2,5	2
K1	46		SCREW M10x50	2
	[K1]	9099172000	HW SUPPORT BOOST® DECK	1

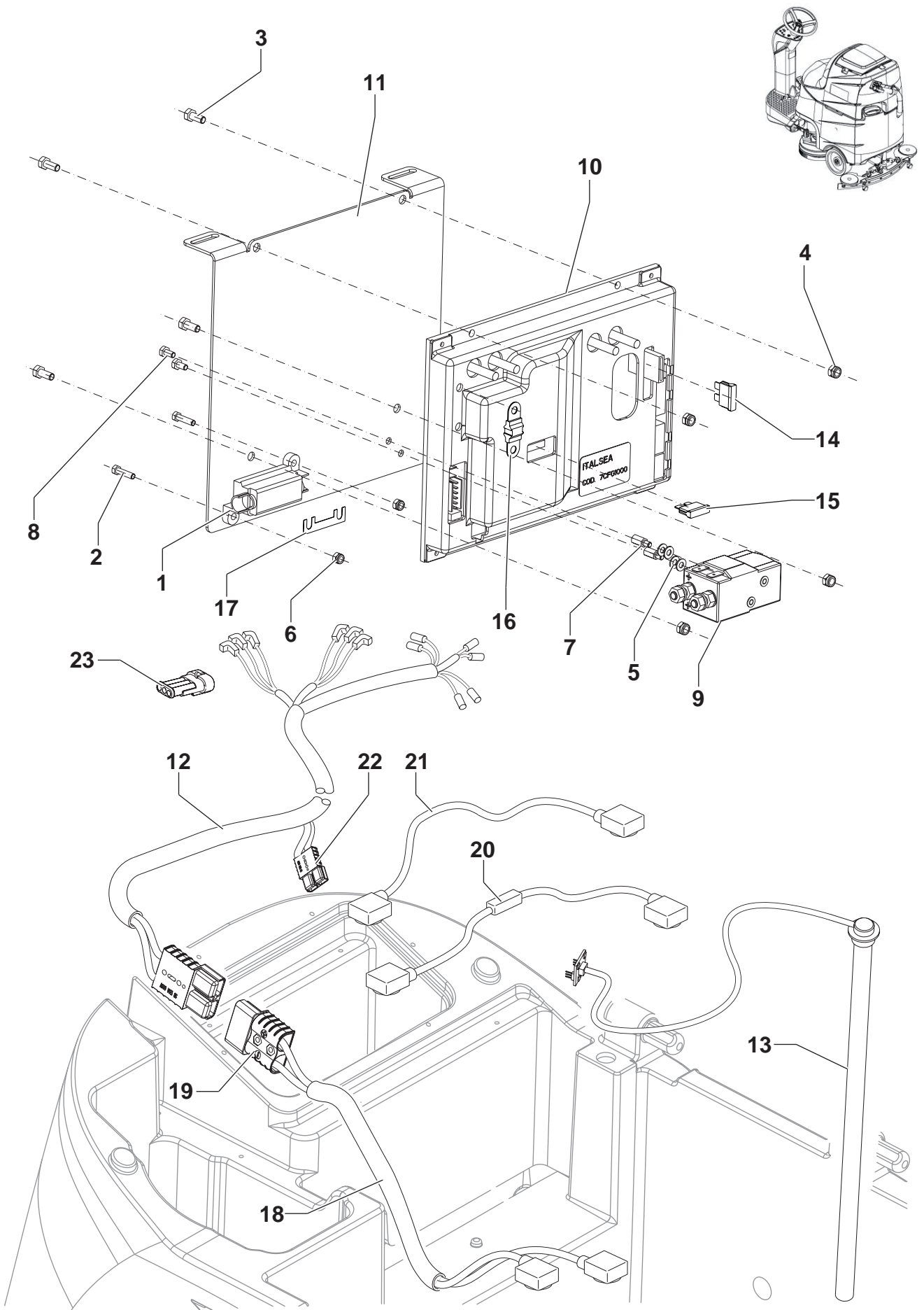
BOOST® BRUSH DECK



BOOST® BRUSH DECK

Kit	Ref.	Part No.	Description	Qty
K4	1		STEEL,SPRING	1
K4	2		SCREW, 1/4-20x3/4 F.H.	4
K2	3		WASHER 1/4" STARLOCK	8
K4	4		WASHER, 1/4" FLAT	4
K4	5		WASHER, LOCK 1/4"	1
K4	6		RETAINER,ECCENTRIC	1
K4	7		WASHER, FLAT XL	2
K4	8		SCREW, HEX THD TO HD M12x30	4
K4	9		SCREW, HEX THD TO HD M8x20	4
K4	10		SCREW, HEX THD TO HD M8x25	2
K4	11		NUT, HEX NYL LOC THIN M6	3
K4	12		NUT, HEX NYL LOC THIN M10	1
K4	13		WASHER, SPLIT LOCK d.8	4
K4	14		WASHER, SPLIT LOCK d.12	4
K2	15		ISOLATOR-40 DURO 1/4-20	4
K4	16		NUT, HEX NYL LOC THIN M8 SS	2
K4	17		SELF LOCK NUT M30 X 1,5	1
K4	18		IGUS BEARING, FLANGE	4
K4	19		SCR, PAN PHIL M6x16 SS	3
K4	20		HOSE HOLDER Ø16	3
K4	21		IGUS BEARING, FLANGE	2
K4	22	9097839000	TURNING SUPPORT	1
	23	9097853000	SIDE ARM	1
K4	24		SCREW SHOULDER 12X25 M10 GEOEMT 320 A	1
	25	9099308000	BOOST DECK PIPE KIT	1
K4	26		SPACER 40x19.5x4	1
	27	9098243000	DECK PROTECTION	1
	28	9098246000	PLATE SUPPORT BOOST DECK	1
	29	9098247000	SUPPORT BOOST DECK MOTOR	1
K4	30		WASHER, FLAT M30	1
	31	9099411000	BEARING KIT	1
	32	30048A	GUIDE,WHEEL	4
	33	56380247	MOTOR 24V DC (M1)	1
	34	56412287	BRUSH MOTOR REPLACEMENT KIT	1
	35	9098761000	CONNECTOR 50A RED (C4)	1
K4	36		SLEEVE,GUIDE WHEEL	4
K4	37		SCREW, 1/4-20x1 HH S.S.	1
K4	38		SCREW, 1/4-20x1 HH S.S.	4
K4	39		NUT, HEX NYL LOC-THIN 1/4-20	4
K2	40		NUT. SERRATED FLANGE	8
K4	41		SCREW, 1/4-20x1 1/4 C.R.P.H.	4
K2	42		ISOLATOR-30 DURO 1/4-20	8
	43	997001	PAD, RED, 28 (5 PCS)	1
K4	44		NUT SELF L. M5 UNI7474	1
K4	45		SCREW, HEX THD TO HD M3x20	2
	46	9099119000	PLATE BOOST DECK HARNESS FIXING	1
K4	47		SCREW, PAN PHIL M5x12	1
K4	48		CLAMP 4,8X200 BLACK	2
K4	49		FLAT TIE HOLDER	1
K4	50		NUT SELF L. M3 UNI7474	2
K4	51		CLAMP 4.8X430 WHITE	2
K3	52	56380188	FLEX PLATE ASSY 28"	2
K3	53	56381491	PLATE DRIVER	1
K3	K1	56380246	KIT. ECCENTRIC & SHIELD	1
K3	K2	56380235	KIT, ISOLATOR BOOST 28 & 32	1
	K3	56380210	KIT, FLEX PLATE BOOST 28"	1
	[K4]	9099173000	HW KIT BOOST® DECK	1

ELECTRICAL COMPONENTS

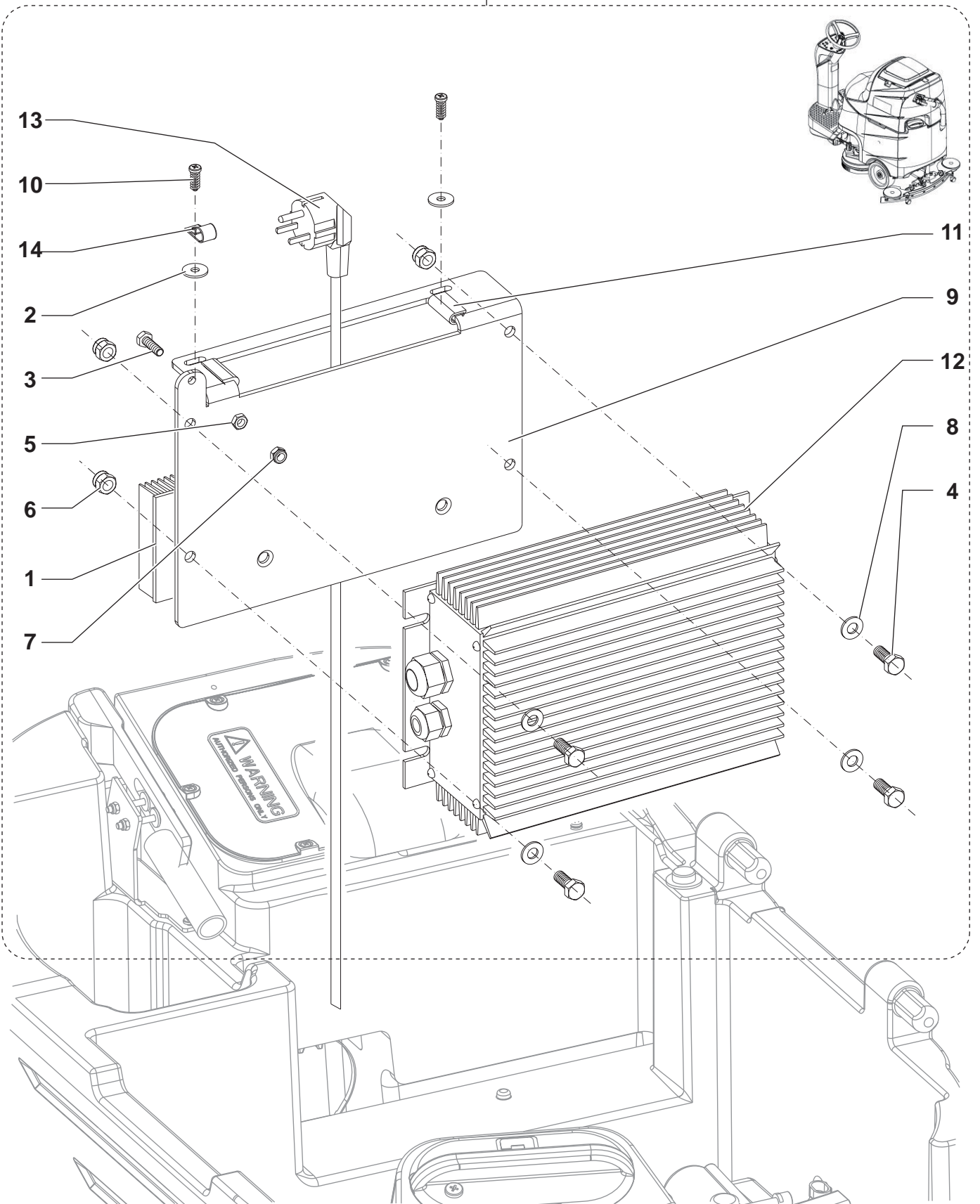


ELECTRICAL COMPONENTS

Kit	Ref.	Part No.	Description	Qty
	1	145 8046 000	STRIP FUSE HOLDER	1
K1	2		SCREW M4X16 UNI5739	2
K1	3		SCREW M5X12 UNI5739	4
K1	4		NUT SELF L. M5 UNI7474	4
K1	5		WASHER M4 UNI6592	4
K1	6		NUT SELF L. M4 UNI7474	2
K1	7		SPACER M4 L10	2
K1	8		SCREW M4X8 UNI5739	2
	9	9097208000	SWITCH ELECTROMAGNETIC (ES1)	1
	10	9099071000	CARD ELECTRONIC TRACTION (EB1)	1
	11	9097860000	PLATE FIXING ELECTRONIC C	1
	12	9098190000	HARNESS EL.COMPON.BOX	1
	13	9098897000	SENSOR PRESSURE KIT (PR1)	1
	14	145 8368 000	FUSE 3A (F3)	1
	15	145 9853 000	FUSE 15A (F4)	1
	16	9097830000	FUSE MIDIFUSE 100A (F2)	1
	17	145 9854 000	STRIP FUSE 50A (F1)	1
	18	9098095000	HARNESS BATTERY	1
	19	9098762000	CONNECTOR 120A (C1)	1
	20	9098526000	CABLE BATTERY WITH FUSE	1
	21	9097590000	CABLE BATTERY INTERCONNEC	1
	22	9098761000	CONNECTOR 50A RED (C4)	1
	23	9099203000	CONNECTOR 3 WAYS WITH BRIDGE	1
[K1]		9098739000	HW KIT ELECTRICAL COMPONENTS	1

BATTERY CHARGER

K1



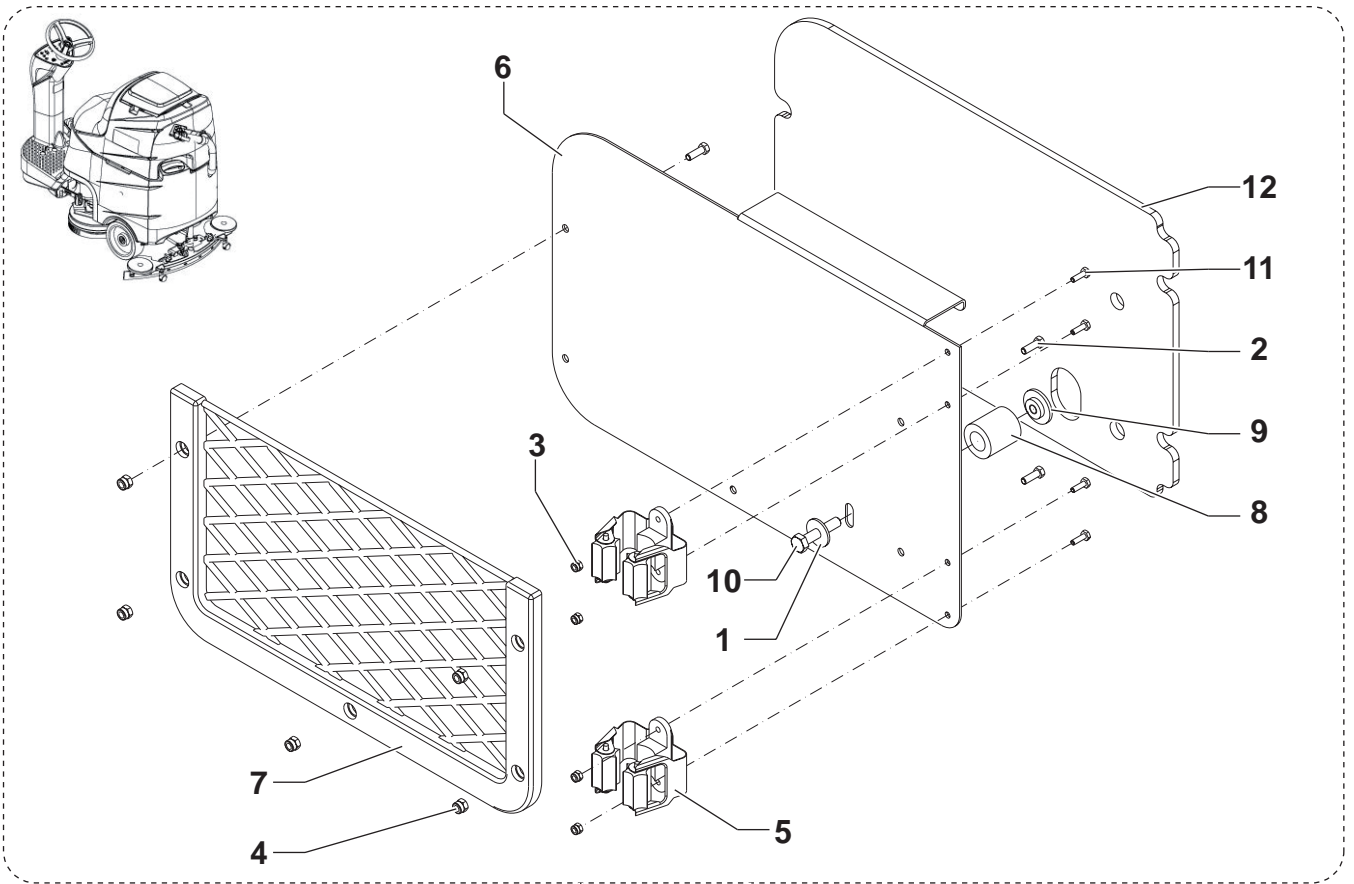
BATTERY CHARGER

Kit	Ref.	Part No.	Description	Qty
K1	1	9098859000	HEATSINK	1
K1	2		WASHER 6X18 UNI6592	2
K1	3		SCREW M6X25 UNI5739	1
K1	4		SCREW M8X20 UNI5739	4
K1	5		NUT HEX M6 UNI5589	1
K1	6		NUT SELF L. M8 UNI7473	4
K1	7		NUT SELF L. M6 UNI7474	1
K1	8		WASHER M8 UNI6592	4
K1	9	9097916000	PLATE BATTERY CHARGER	1
K1	10		SCREW CYL HD 5X16 SELF L.	2
K1	11		SEAL	2
K1	12	9098630000	CHARGER BATTERY 24V 20A (CH)	1
K1	13	9098677000	CABLE EXTENSION FOR CHARG US	1
K1	14		CLAMP CABLE BLACK	1
	K1	9098198000	BATTERY CHARGER KIT	1

ACCESSORIES

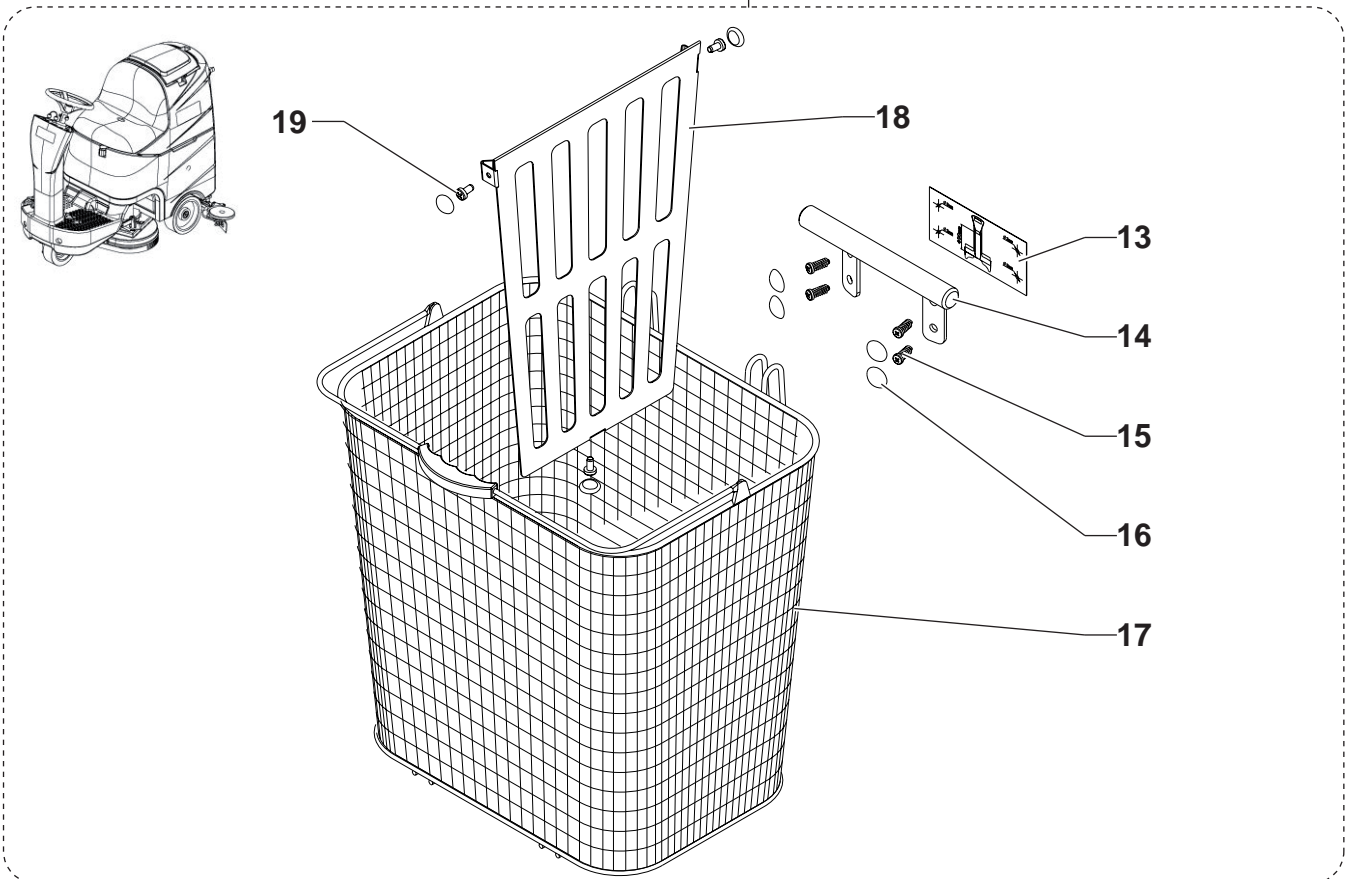
Kit	Ref.	Part No.	Description	Qty
K1	1		CLAMP, CABLE Ø6.4	1
K1	2		SCR, PAN PHIL THD FORM	1
K1	3		CLAMP, HOSE 09/12-22	2
K1	4		WASHER, SPLIT LOCK d.3	2
K1	5		WASHER, FLAT 3,2x7	1
K1	6	56315522	VALVE CHECK	1
K1	7		CAP	3
K1	8		TIE, CABLE 4,8X200	2
K1	9		SCREW, HEX THD TO HD M3x12	1
K1	10		TRANSPARENT ADHESIVE	1
K1	11		"T" FITTING	1
K1	12	909 6183 000	PUMP CHEMICAL MIX (M4)	5
K1	13		BIFILAR BAND	1
K1	14		DRY BREAK	1
K1	15		ADAPTOR (FOR SUTTER BOX)	1
K1	16		HOLDER RUBBER 1/2 FEMALE	1
K1	17		CHEMICAL REGULATION ADHESIVE	1
K1	18		BARB, HOSE 90° X Ø5	1
K1	19		HOSE L=500MM	1
K1	20		HOSE L=910MM	1
K1	21		HOSE L=380MM	1
K1	22		HOSE L=640MM	1
K1	23		HOSE D.4X7MM	1
K1	24		HOSE L=90MM	1
K1	25		HOSE L=90MM	1
	K1*	9099069000	KIT CHEMICAL MIXING SYSTEM	1
		9099118000	ASSEMBLY INSTRUCTION	1

ACCESSORIES



K1

K2

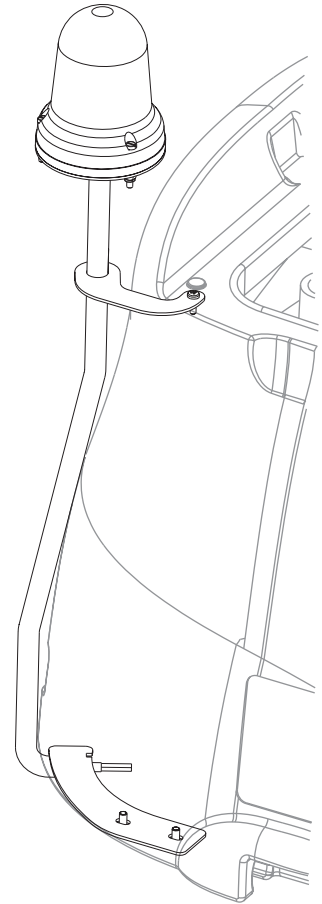
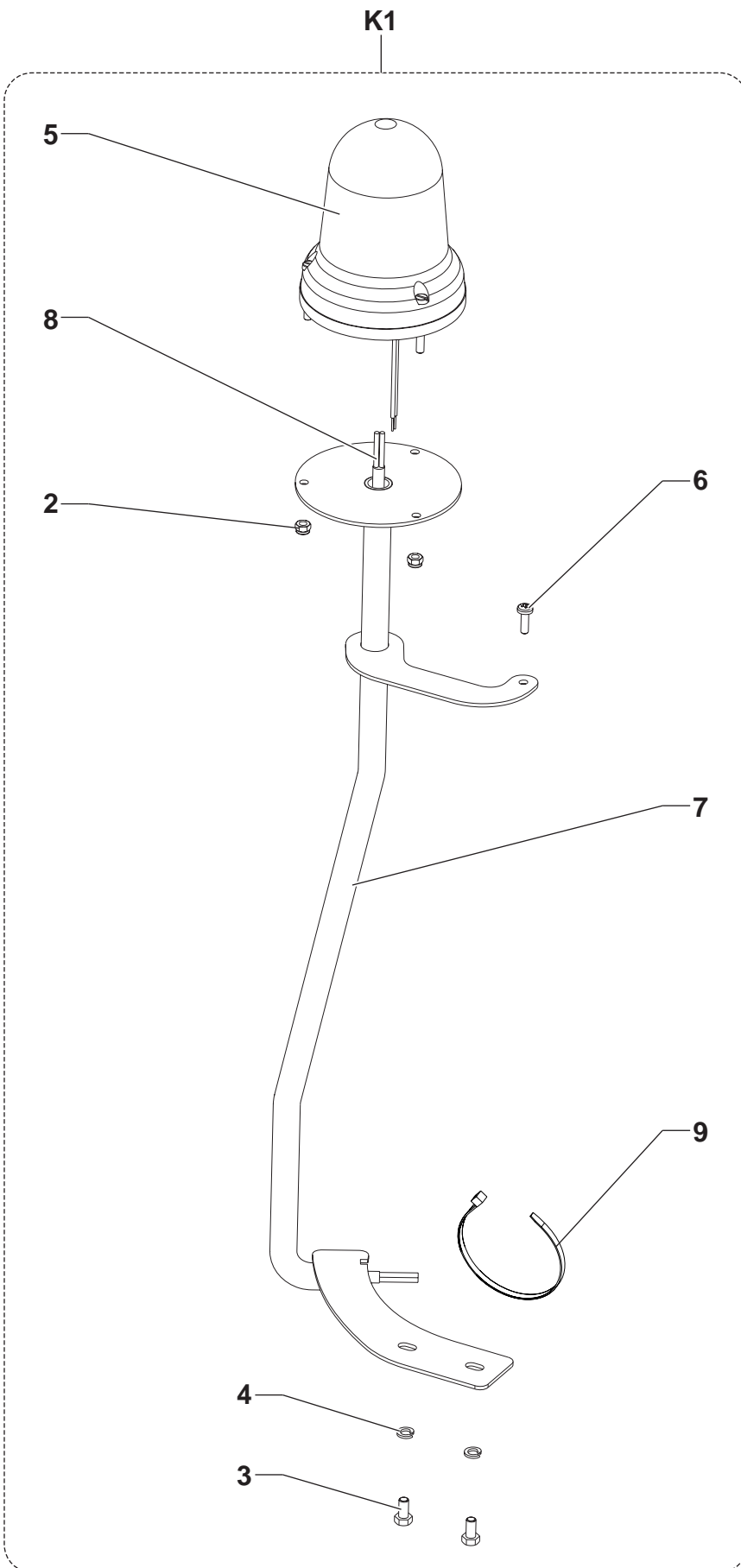


ACCESSORIES

Kit	Ref.	Part No.	Description	Qty
	K1*	9097815000	MOP AND TRASH KIT	1
K1	1		WASHER, FLAT	1
K1	2		SCREW M4X12 UNI5739	5
K1	3		NUT SELF L. M3 UNI7474	4
K1	4		NUT SELF L. M4 UNI7473	5
K1	5	33017513	HOLDER BROOM	2
K1	6		SHEET SUPPORT KIT	1
K1	7	9097947000	NET 6x5	1
K1	8		EXPANDER	1
K1	9		EXPANDER FLANGE	1
K1	10		SCREW M6X30 UNI5739 SS	1
K1	11		SCREW M3X10 UNI5739	4
K1	12		MOUSSE	1

	K2*	9098480000	BASKET KIT	1
K2	13		DECAL TEMPLATE	1
K2	14		BASKET SUPPORT	1
K2	15		READ ROLLING SCR 5x16	4
K2	16		COVER FOR SCREW TCB 4.8mm	7
K2	17	9098250000	BASKET	1
K2	18		PARTITION	1
K2	19		THREAD ROLLING SCR, PAN PHIL	3

ACCESSORIES

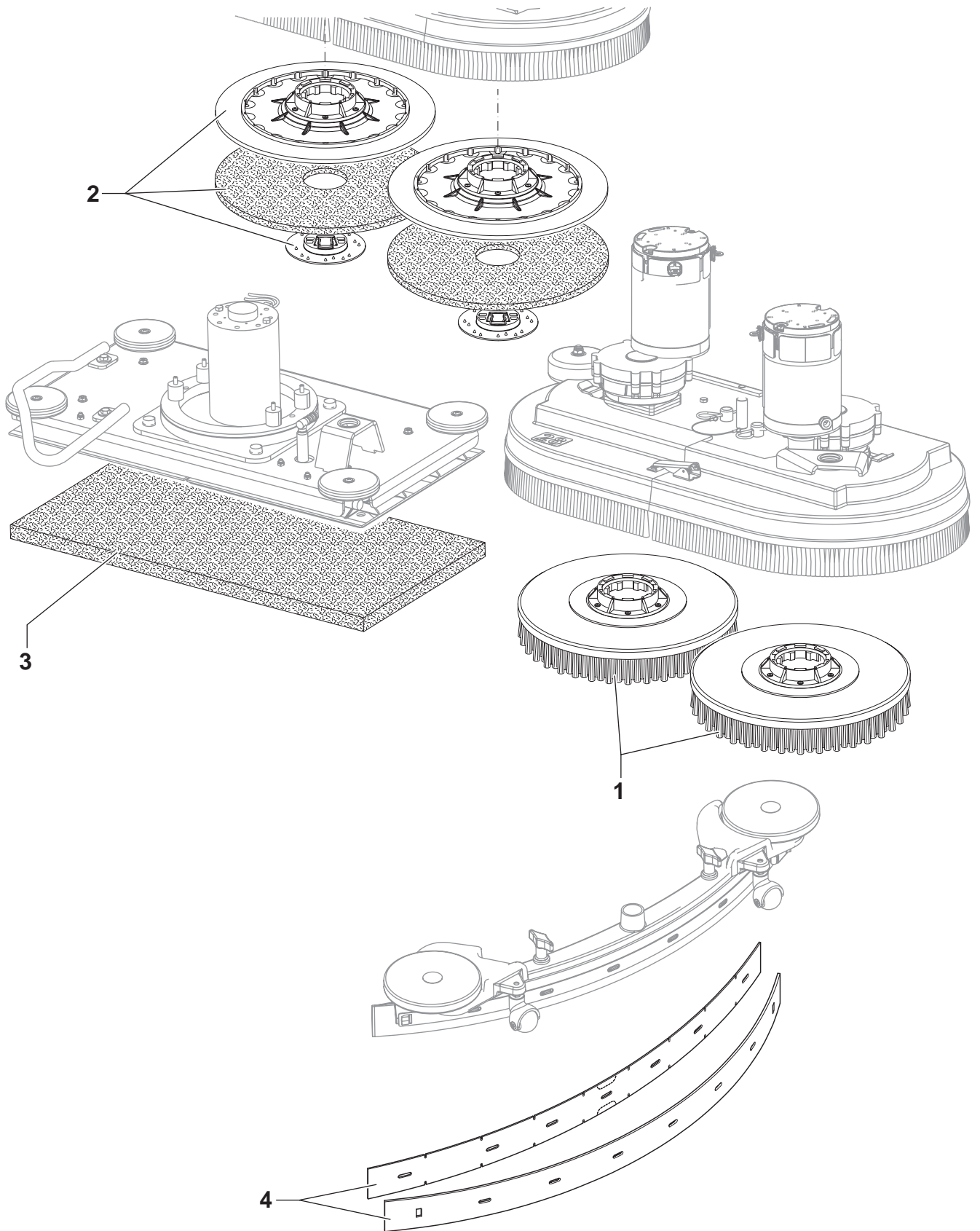


ACCESSORIES

	Ref.	Part No.	Description	Qty
	K1*	9098937000	FLASHING BEACON KIT	1
	1		CLAMP BLACK	1
	2		NUT SELF L. M4 UNI7474 SS	3
	3		SCREW M5X10 UNI5739	2
	4		WASHER M5 UNI1751B	2
	5	146 1155 000	BEACON, WARNING 10-120V (BE)	1
	6		SCREW 3.9X13 UNI6954	1
	7		FLASHING BEACON SUPPORT	1
	8		FLASHING BEACON WIRING	1

	[K2]*	9098772000	NOISE REDUCTION KIT	1
		9098773000	ASSEMBLY INSTRUCCION	1

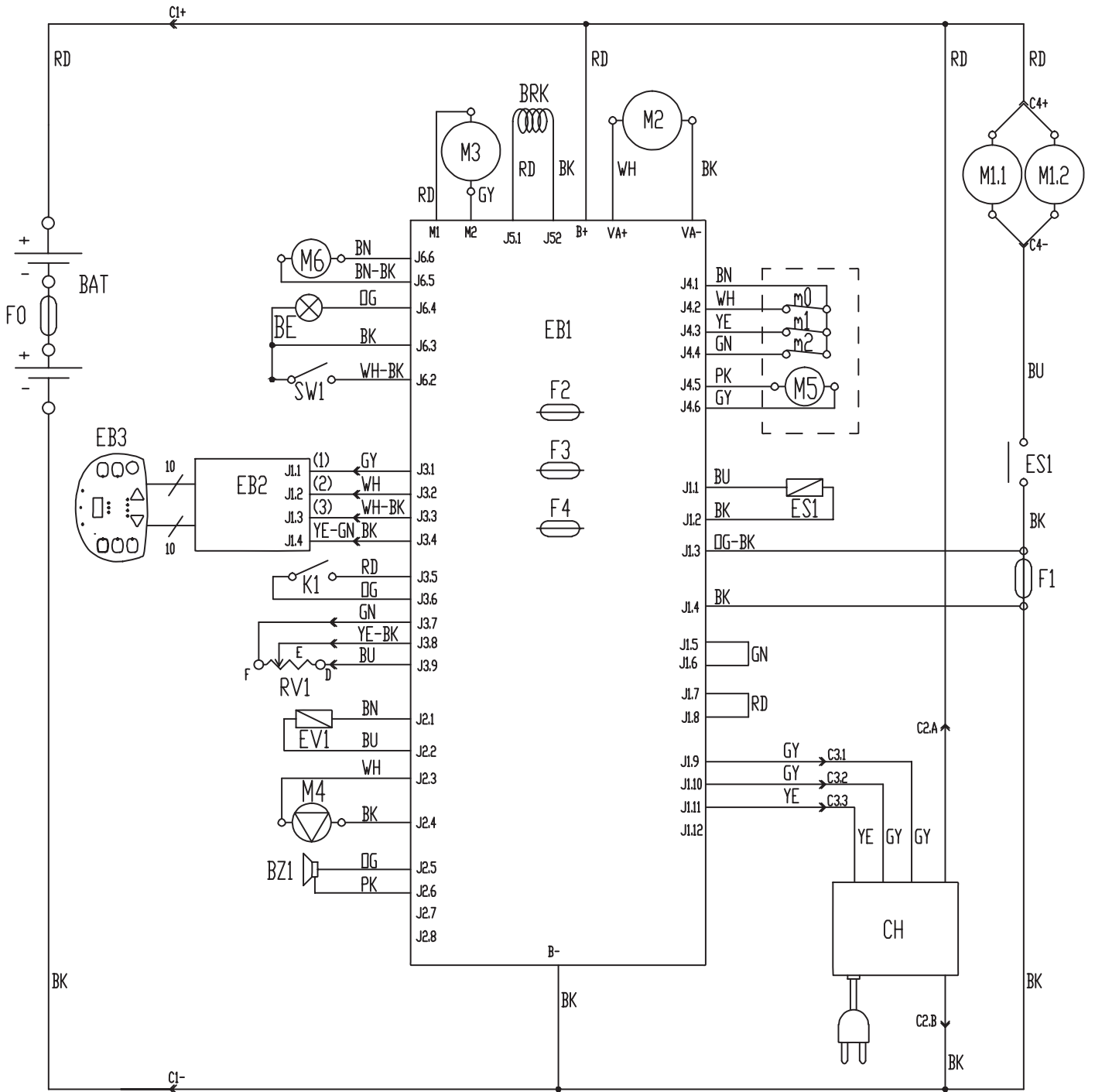
ACCESSORIES



ACCESSORIES

Ref.	Part No.	Description	Qty
		BRUSHES 13" (330 MM) (2 FOR MACHINE) 26D	
1*	303000381	UNIVERSAL BRUSH 5K 13"	2
1*	11438A	POLYPROPYLENE BRUSH 13"	2
1*	11437A	SOFT NYLON BRUSH 13"	2
1*	10382A	LITE GRIT BRUSH 13"	2
1*	11439A	MEDIUM GRIT BRUSH 13"	2
1*	11440A	HEAVY GRIT BRUSH 13"	2
		PAD/PAD DRIVERS 13" (330 MM) 26D (PAD'S, CASE WITH 5 PIECES)	
2*	38035A	PAD DRIVER 13"	2
2*	976031	WHITE 13" (Ø 330 MM)	2
2*	976032	RED 13" (Ø 330 MM)	2
2*	976034	BLUE 13" (Ø 330 MM)	2
2*	976035	BROWN 13" (Ø 330 MM)	2
2*	976142	BLACK 13" (Ø 330 MM)	2
		PAD AND BRUSHES 28 BOOST (PAD'S, CASE WITH 5 PIECES) (HIGH PRO 10)	
3*	997002	WHITE	1
3*	997006	BLUE	1
3*	997000	BLACK	1
3*	997016	PAD 14X28 3M HI PRO (BOX 10)	1
3*	997018	MAROON	1
3*	30794A	TWO SIDED VELCRO	1
		BLADES KITS	
4*	9097804000	BLADES RUBBER 890MM/35" KIT	1
4*	9099211000	BLADES SQUEEGEE 890MM/35" KIT	1

WIRING DIAGRAM



WIRING DIAGRAM

Key.	Part No.	Description
BAT	-	24V BATTERIES
BE	146 1155 000	BEACON (OPT)
BRK	9098626000	ELECTROMAGNETIC BRAKE
BZ1	909 6126 000	BUZZER
C1	9098762000	BATTERY CONNECTOR
C2	-	MAIN CHARGER CONNECTOR
C3	-	SECONDARY CHARGER CONNECTOR
C4	9098761000	BRUSH DECK CONNECTOR
CH	9098630000	BATTERY CHARGER
EB1	9099071000	MAIN ELECTRONIC BOARD
EB2	9098783000	CONTROL PANEL ELECTRONIC BOARD
EB3	9098781000	DECAL CONTROL PANEL ELECTRONIC BOARD
ES1	9097208000	BRUSH MOTOR ELECTROM. SWITCH
EV1	909 6555 000	ELECTROVALVE
F0	-	BATTERY FUSE
F1	145 9854 000	BRUSH DECK FUSE
F2	9097830000	MAIN BOARD FUSE
F3	145 8368 000	LOW POWER CIRCUIT FUSE
F4	145 9853 000	ACTUATOR FUSE
K1	146 2888 000	KEY SWITCH
M1.1,2	9097178000	DISC BRUSH MOTORS
	56380247	BOOST BRUSH MOTOR
M2	9097556000	VACUUM MOTOR
M3	9098625000	DRIVE MOTOR
M4	909 6183 000	DETERGENT PUMP (OPT)
M5	9097852000	DISC BRUSH DECK ACTUATOR MOTOR
m0	-	M5 POS. 0 MICROSWITCH
m1	-	M5 POS. 1 MICROSWITCH
m2	-	M5 POS. 2 MICROSWITCH
M6	9097985000	SQUEEGEE ACTUATOR MOTOR
PR1	9098897000	WATER PRESSURE GAGE
RV1	9097934000	DRIVE PEDAL POTENTIOMETER
SW1	909 6242 000	SEAT MICROSWITCH

BK	-	BLACK
BU	-	LIGHT BLUE
BN	-	BROWN
GN	-	GREEN
GY	-	GREY
OG	-	ORANGE
PK	-	PINK
RD	-	RED
VT	-	VIOLET
WH	-	WHITE
YE	-	YELLOW

RECOMMENDED SPARE PARTS

Ref. No.	DESCRIPTION	QTY	MACHINES
----------	-------------	-----	----------

WEAR PARTS

9098716000	BRUSH CARBON KIT	1	26D - 28 BOOST
9098729000	BLADES PU KIT	1	26D - 28 BOOST
30661A	BRUSH HOUSING L.H.	1	26D
30662A	BRUSH HOUSING R.H.	1	26D

ORDINARY MAINTENANCE

9098894000	HOSE DRAIN	1	26D - 28 BOOST
9098169000	HOSE SUCTION	1	26D - 28 BOOST
9098895000	GASKET COVER	1	26D - 28 BOOST
9098407000	WHEEL DRIVE	1	26D - 28 BOOST
9098627000	BRUSH CARBON KIT	1	26D - 28 BOOST
9098115000	FILTER WATER	1	26D - 28 BOOST
9098307000	WHEEL CASTOR D.42	2	26D - 28 BOOST
9097816000	WHEEL REAR D.254 80SH GRE	2	26D - 28 BOOST
909 5380 000	BRUSH CARBON W/HOLDER KIT	2	26D
56380235	KIT, ISOLATOR BOOST 28 & 32	1	28 BOOST
56412287	BRUSH CARBON KIT	1	28 BOOST

EXTRAORDINARY MAINTENANCE

9098224000	MUFF FRESH WATER	1	26D - 28 BOOST
9099167000	CAP SOLUTION KIT	1	26D - 28 BOOST
909 6242 000	MICROSWITCH (SW1)	1	26D - 28 BOOST
9097556000	MOTOR VACUUM 3ST 24V 420W (M2)	1	26D - 28 BOOST
9098177000	CABLE TANK STOP	1	26D - 28 BOOST
909 6380 000	CLAMP KIT	1	26D - 28 BOOST
9097796000	LEVER BLOCK STEERING WHEE	1	26D - 28 BOOST
9097934000	PEDAL SPEED CONTROL (RV1)	1	26D - 28 BOOST
9098783000	CARD ELECTRONIC DASHBOARD (EB2)	1	26D - 28 BOOST
9098781000	DECAL CONTROL PANEL	1	26D - 28 BOOST
146 2888 000	SWITCH KEY WITH CAP (K1)	1	26D - 28 BOOST
146 2887 000	KEY -2 PCS-	1	26D - 28 BOOST
9098191000	HARNESS FOOT BOARD	1	26D - 28 BOOST
9098430000	HARNESS WHEEL MOTOR	1	26D - 28 BOOST
9098626000	BRAKE ELECTRIC.RELEASED (BRK)	1	26D - 28 BOOST
9098625000	MOTOR ELECTRIC (M3)	1	26D - 28 BOOST
909 6555 000	SOLENOID VALVE 24V (EV1)	1	26D - 28 BOOST
9098380000	STRAP FRONT SQUEEGEE 35	1	26D - 28 BOOST
9098381000	STRAP SKIRT REAR RIGHT 35	1	26D - 28 BOOST
9098382000	STRAP SKIRT REAR LEFT 35	1	26D - 28 BOOST
9098390000	SUPPORT SQUEEGEE DOWN	1	26D - 28 BOOST
9097827000	SUPPORT SQUEEGEE UPPER	1	26D - 28 BOOST
9097931000	ROD EYE M10	2	26D - 28 BOOST
9097985000	JACK MOTOR 24V FOR SQUEEGEE (M6)	1	26D - 28 BOOST
9098708000	SQUEEGEE LIFTING KIT	1	26D - 28 BOOST
9098722000	CENTRING SQUEEGEE KIT	1	26D - 28 BOOST
909 6394 000	LATCH SQUEEGEE KIT	1	26D - 28 BOOST
9097178000	REDUCTION GEARMOTOR 400W (M1.1,2)	2	26D
56380247	MOTOR 24V DC (M1)	1	28 BOOST
9098436000	HUB	2	26D

RECOMMENDED SPARE PARTS

Ref. No.	DESCRIPTION	QTY	MACHINES
EXTRAORDINARY MAINTENANCE			
9097850000	SPRING DRAGGING DECK	1	26D
9097852000	JACK MOTOR 24V FOR DECK (M5)	1	26D - 28 BOOST
9097851000	SPRING ZERO SETTING BRUSH	1	26D
9097813000	GUIDE DRAGGING DECK	1	26D
9097208000	SWITCH ELECTROMAGNETIC (ES1)	1	26D
9099071000	CARD ELECTRONIC TRACTION (EB1)	1	26D
9098897000	SENSOR PRESSURE KIT (PR1)	1	26D
145 8368 000	FUSE 3A (F3)	1	26D
145 9853 000	FUSE 15A (F4)	1	26D
9097830000	FUSE MIDIFUSE 100A (F2)	1	26D
145 9854 000	STRIP FUSE 50A (F1)	1	26D
9098762000	CONNECTOR 120A (C1)	1	26D
9098630000	CHARGER BATTERY 24V 25A (CH)	1	26D
9098677000	CABLE EXTENSION FOR CHARG US	1	26D
9098374000	HARNESS BRUSH DECK	1	26D

Clarke[®]

14600 21st Avenue North
Plymouth, MN 55447-3408

www.clarkeus.com

Phone: 800-253-0367

Fax: 800-825-2753

©2011 Nilfisk-Advance, Inc.