



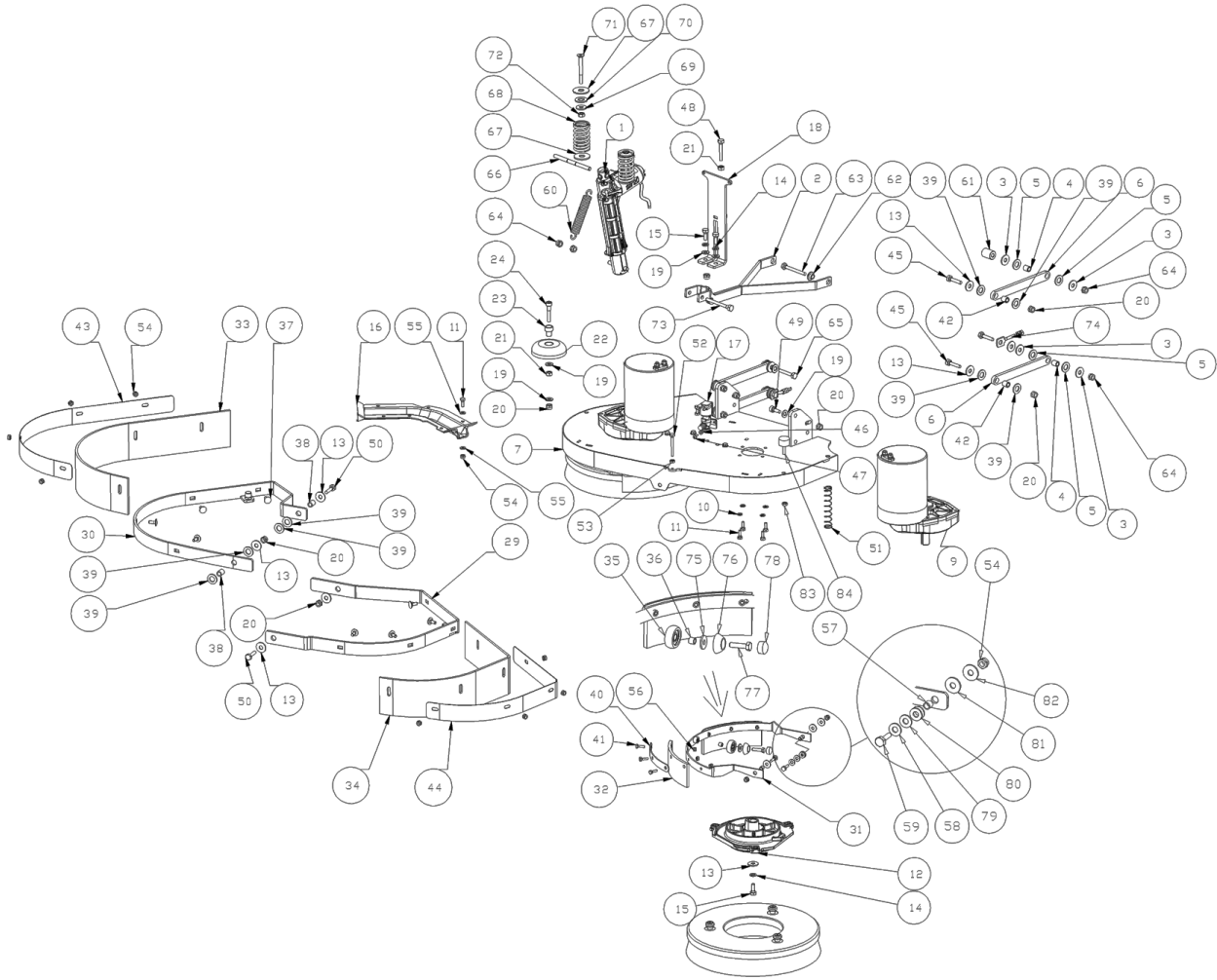
IPC
EAGLE

Spare Parts List

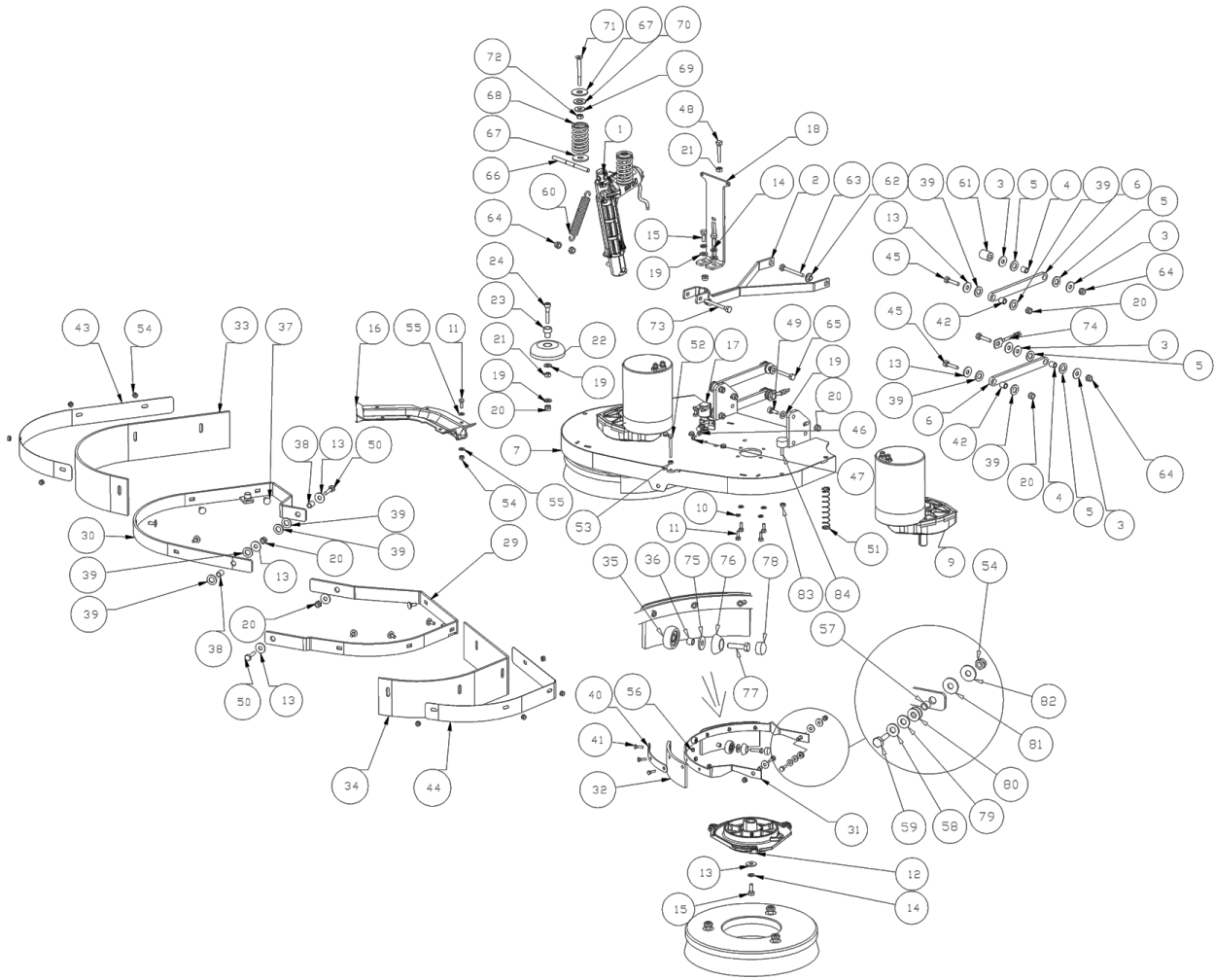
IPC EAGLE

Ref: LPTB02780

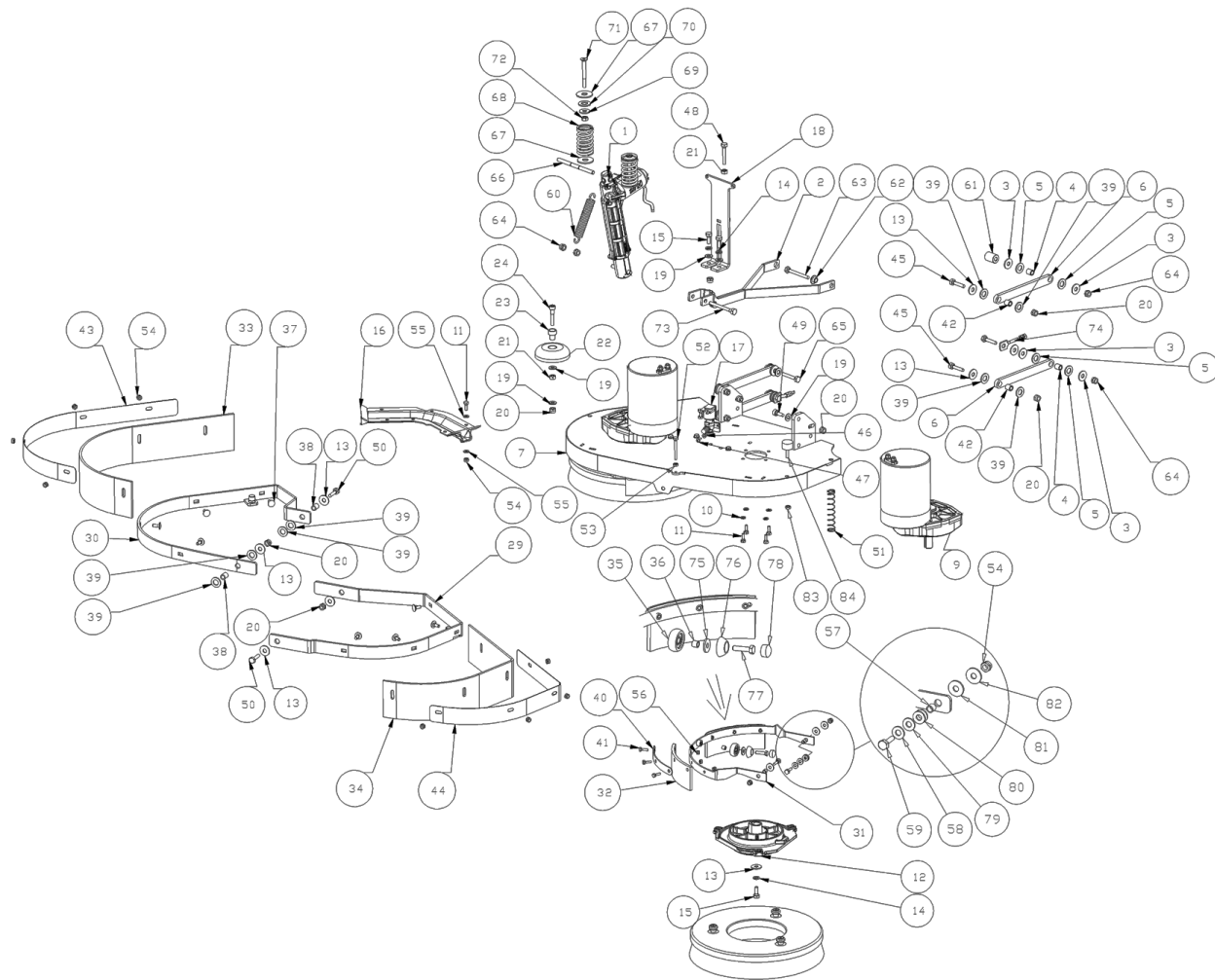
Model: CT80 BT60 GR/VE USA



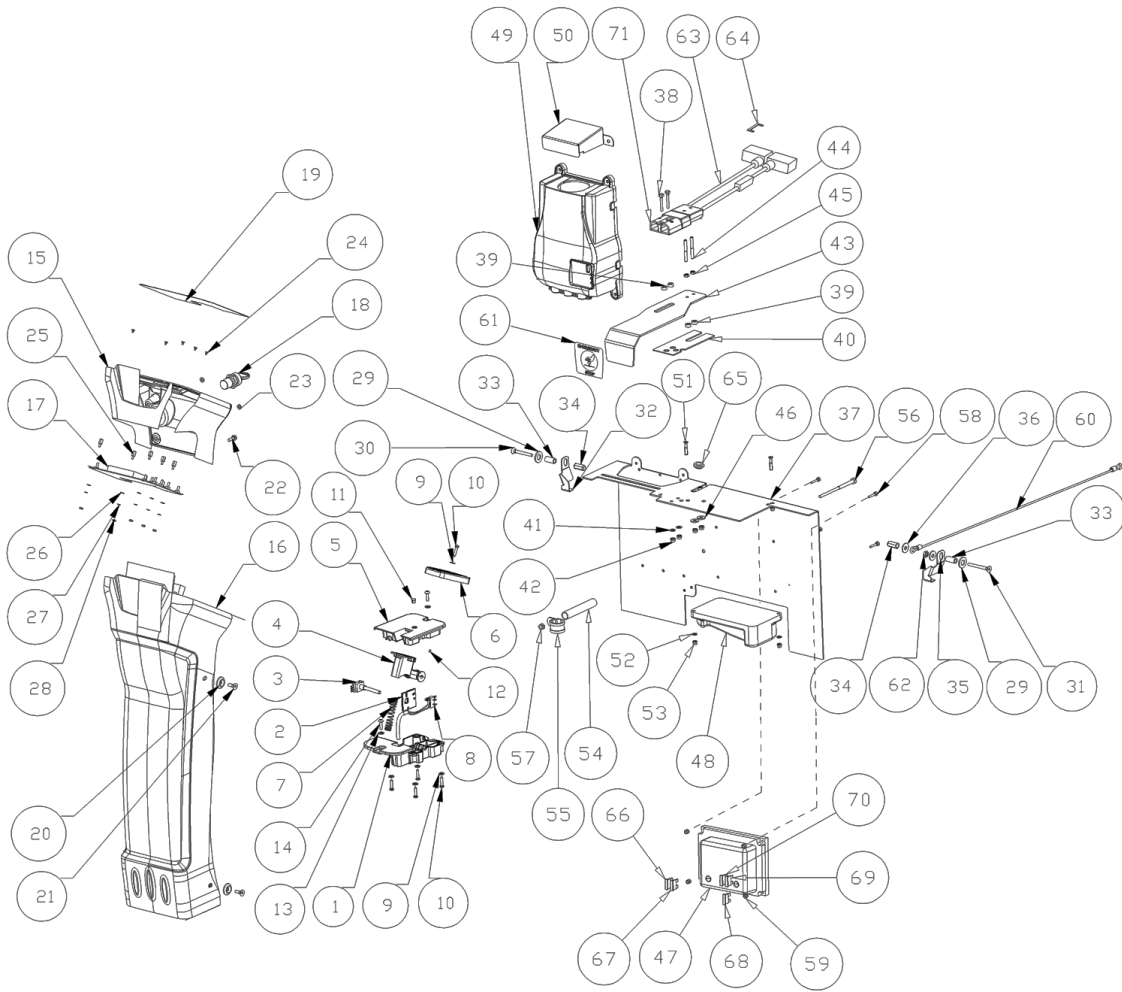
Ref.	K	Part N.	Customer Part N.	Description	Qty	Validity:		Price
						From	To	
0001		MOCC00423		ATUATOR -	1,00			--
0002		LAFN09305		ARM -	1,00			--
0003		VTRS13946		WASHER D. 8 X24 INX UNI 6593	4,00			--
0004		LAFN04151		BUSHING X PARALLELOGRAMMA	2,00			--
0005		VTRS43258		WASHER D.13X24 X2.5 NYL UNI6592	4,00			--
0006		LAFN09298		ARM -	4,00			--
0007		LAFN09307		HEAD -	1,00			--
0009		MOCC00328		MOTOR GEARBOX BRUSH 24V 380W	2,00			--
0010		VTRS15144		WASHER D. 6 INX GRW UNI 1751	8,00			--
0011		VTVT15143		SCREW TE 6X16 UNI5739	14,00			--
0012		MFVR00212		DRIVE DISK	2,00			--
0013		VTRS13946		WASHER D. 8 X24 INX UNI 6593	10,00			--
0014		VTRS15146		WASHER D. 8 INX GRW UNI 1751	4,00			--
0015		VTVT13938		SCREW TE 8X20 UNI5739 INX	2,00			--
0016		MPVR07146		CONVEYOR -	1,00			--
0017		MEEV00036		SOLENOID VALVE HOLE 8mm CLEANTIME	1,00			--
0018		LAFN09303		BRACKET -	1,00			--
0019		VTRS13947		WASHER D. 8 INX UNI 6592	6,00			--
0020		VTDD01695		NUT M 8 INX	10,00			--
0021		VTDD15521		NUT M 8 INX A2 UNI 5588	2,00			--
0022		MPVR06105		SMALL WHEEL -	1,00			--
0023		LAFN03915		BUSHING NUOVO RUOTINO STRONG	1,00			--
0024		VTVT06241		SCREW 8X40	1,00			--
0029		LAFN09318		SUPPORT SX	1,00			--
0030		LAFN09317		SUPPORT DX	1,00			--
0031		LAFN09358		BRACKET -	2,00			--
0032		MPVR07113		FLAP -	4,00			--
0033		MPVR07110		FLAP -	1,00			--
0034		MPVR07111		FLAP -	1,00			--
0035		CUVR00184		BEARING -	2,00			--
0036		LAFN03840		BUSHING	2,00			--
0037		VTVT01208		SCREW TBEI 5X35	8,00			--
0038		LAFN08907		SPACER 12-8	2,00			--
0039		VTRS43258		WASHER D.13X24 X2.5 NYL UNI6592	8,00			--
0040		LAFN09295		SHEET METAL PA.-	4,00			--
0041		VTVT07725		SCREW TE 5X16 UNI5739 INX	12,00			--
0042		LAFN04151		BUSHING X PARALLELOGRAMMA	2,00			--
0043		LAFN09396		BRACKET -	1,00			--
0044		LAFN09397		BRACKET -	1,00			--



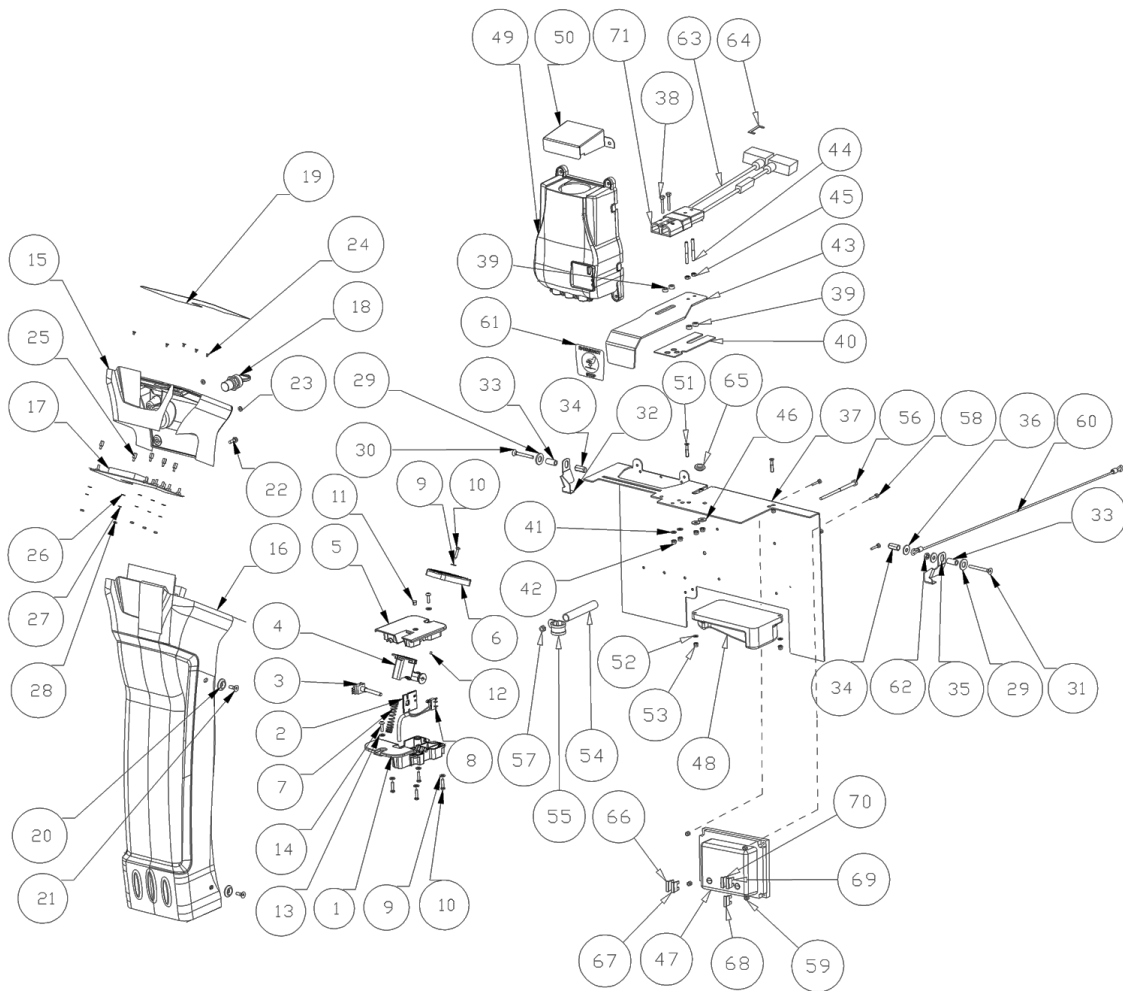
Ref.	K	Part N.	Customer Part N.	Description	Qty	Validity:		Price
						From	To	
0045		VTVT00410		SCREW TE M8x35 UNI5739 INOX	2,00			--
0046		VTRS00515		WASHER D. 4 INX	2,00			--
0047		VTVT01158		SCREW M4x16	2,00			--
0048		VTVT15371		SCREW TE M 8X45 INOX A2 UNI	1,00			--
0049		VTVT13944		SCREW TCEI M 8X20 UNI 5931 INX	2,00			--
0050		VTVT01050		SCREW TE M 8X30 INX UNI 5737	2,00			--
0051		MLML00345		SPRING -	2,00			--
0052		VTVT15515		SCREW TE M 6X 50 INOX A2	2,00			--
0053		VTDD00053		NUT M6 INOX UNI5589	2,00			--
0054		VTDD01694		NUT M6 INOX	18,00			--
0055		VTRS00245		WASHER D.6 UNI 6592 INOX	12,00			--
0056		VTDD01693		NUT M 5 INX	12,00			--
0057		LAFN07876		SPACER -	4,00			--
0058		VTRS13945		WASHER D. 6X18 INX UNI 6593	4,00			--
0059		VTVT13939		SCREW TE 6X20 UNI5739 INX	4,00			--
0060		MLML00347		SPRING -	1,00			--
0061		LAFN09327		SPACER -	1,00			--
0062		LAFN06391		BUSHING PARALLELOGRAMMA	2,00			--
0063		VTVT00757		SCREW	1,00			--
0064		VTDD15521		NUT M 8 INX A2 UNI 5588	2,00			--
0065		VTVT00708		SCREW TE M. 8-40	1,00			--
0065		VTVT00708		SCREW TE M. 8-40	1,00			--
0066		LAFN09320		PIN -	2,00			--
0067		VTRS09142		WASHER D.12 X 36	4,00			--
0068		MLML00324		SPRING -	2,00			--
0069		VTRS13946		WASHER D. 8 X24 INX UNI 6593	2,00			--
0070		VTRS00250		WASHER D.14	2,00			--
0071		VTVT00300		SCREW TSPEI M8x70 UNI5933	2,00			--
0072		VTDD15521		NUT M 8 INX A2 UNI 5588	2,00			--
0073		VTVT00769		SCREW M8X70 A2 UNI5737	1,00			--
0074		LAFN47168		BELT-STRETCHER L.14	2,00			--
0075		VTRS13945		WASHER D. 6X18 INX UNI 6593	2,00			--
0076		MPVR06440		COVER -	2,00			--
0077		VTVT00428		SCREW TCEI 6X20 UNI5931 INX	2,00			--
0078		MPVR06441		COVER -	2,00			--
0079		VTRS13947		WASHER D. 8 INX UNI 6592	4,00			--
0080		MLML00168		SPRING 8,2/15,8-0,25 LISCIA	8,00			--
0081		VTRS00274		WASHER NYLON 66 D.8,4-17-2 UNI	4,00			--
0082		VTRS13945		WASHER D. 6X18 INX UNI 6593	4,00			--



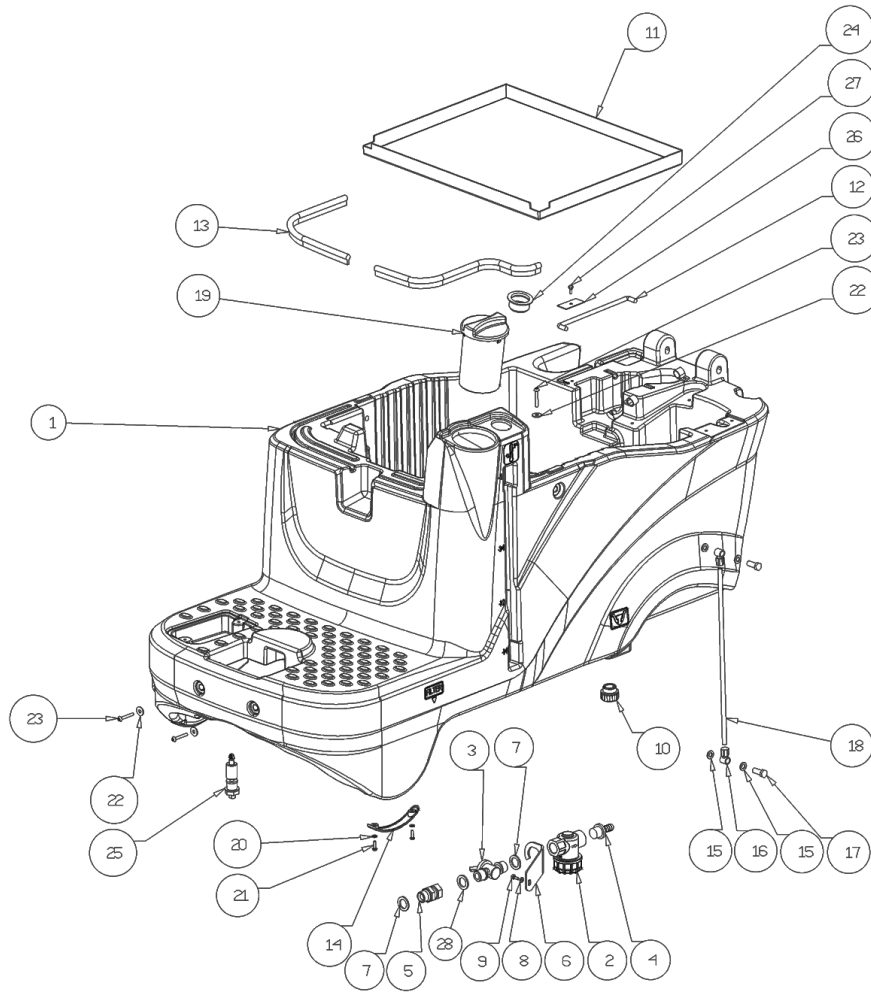
Ref.	K	Part N.	Customer Part N.	Description	Qty	Validity:		Price
						From	To	
0083		VTDD13942		NUT M 6 UNI 5587 INX	1,00	01/2015		--
0084		MPVR75799		FOOT 20x9 M 6x18	1,00	01/2015		--



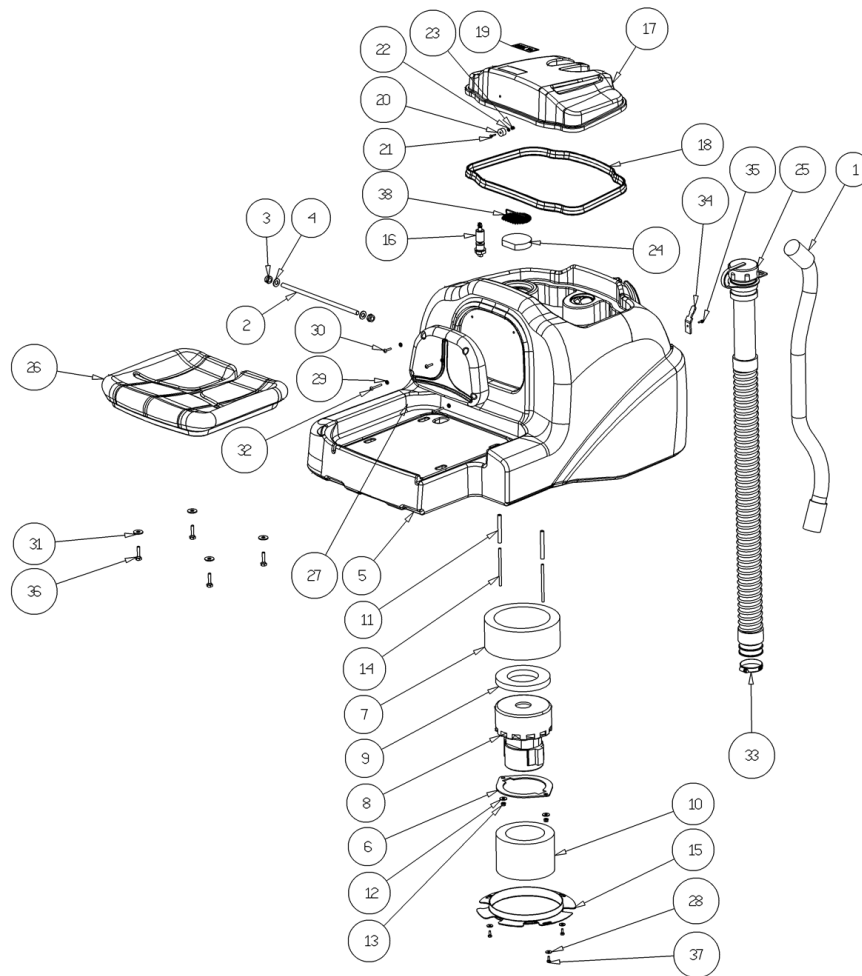
Ref.	K	Part N.	Customer Part N.	Description	Qty	Validity:		Price
						From	To	
0001		MPVR07120		BUSHING -	1,00			--
0002		MPVR07122		PLATE -	1,00			--
0003		MEVR01755		POTENTIOMETER -	1,00			--
0004		MPVR07121		SUPPORT -	1,00			--
0005		MPVR07119		COVER -	1,00			--
0006		MPVR07126		COVER -	1,00			--
0007		MLML00339		SPRING -	1,00			--
0008		MECI00414		MICROSWITCH -	1,00			--
0009		VTRS00516		WASHER D. 5 INX	4,00			--
0010		VTVT48694		SCREW TCB TC 5 X12 UNI 9707 TZ	4,00			--
0011		RCVR00163		CAP D.6	1,00			--
0012		VTVT01703		GRUB SCREW M4X8	1,00			--
0013		VTRS00516		WASHER D. 5 INX	1,00			--
0014		VTVT45339		SCREW TBEI M 5X 16 ISO 7380 ZB	1,00			--
0015		MPVR07124		INSTR.PANEL -	1,00			--
0016		MPVR07123		SIDE PANEL -	1,00			--
0017		MECE00589		BOARD DISPLAY CT80	1,00			--
0018		MECI75805		SWITCH TK	1,00			--
0019		ETET01797		LABEL -	1,00			--
0020		VTVR41809		UND.SCREW FLAN.D. 6.5-22 H4.5 NYL.NERO	4,00			--
0021		VTVT00832		SCREW TSPEI M6X16 INOX	4,00			--
0022		VTVT00787		SCREW TBEI M 6-16	2,00			--
0023		VTRS13750		WASHER D. 5X14 INX	2,00			--
0024		VTVT01377		SCREW TSP-TC M 3X5 UNI7688 INX	5,00			--
0025		VTVR00576		SPACER M3	5,00			--
0026		VTRS00268		WASHER D.3	5,00			--
0027		VTRS21116		WASHER D. 3 INX	5,00			--
0028		VTDD21115		NUT M 3 INOX	5,00			--
0029		VTRS15523		WASHER D.10 X21 INOX UNI 6592	2,00			--
0030		VTVT26818		SCREW M6x45 TSPEI UNI5933	1,00			--
0031		VTVT30247		SCREW TSPEI M 6X 50 UNI 5933	1,00			--
0032		LAFN09398		BRACKET -	1,00			--
0033		MPVR07165		SPACER -	2,00			--
0034		VTVR00556		RIVET -	2,00			--
0035		LAFN09399		BRACKET -	1,00			--
0036		VTRS00245		WASHER D.6 UNI 6592 INOX	3,00			--
0037		LAFN09322		SHEET METAL PA.-	1,00			--
0038		VTVT00423		SCREW TE M 5X 30 UNI 5739	2,00			--
0039		MPVR07164		SPACER -	4,00			--



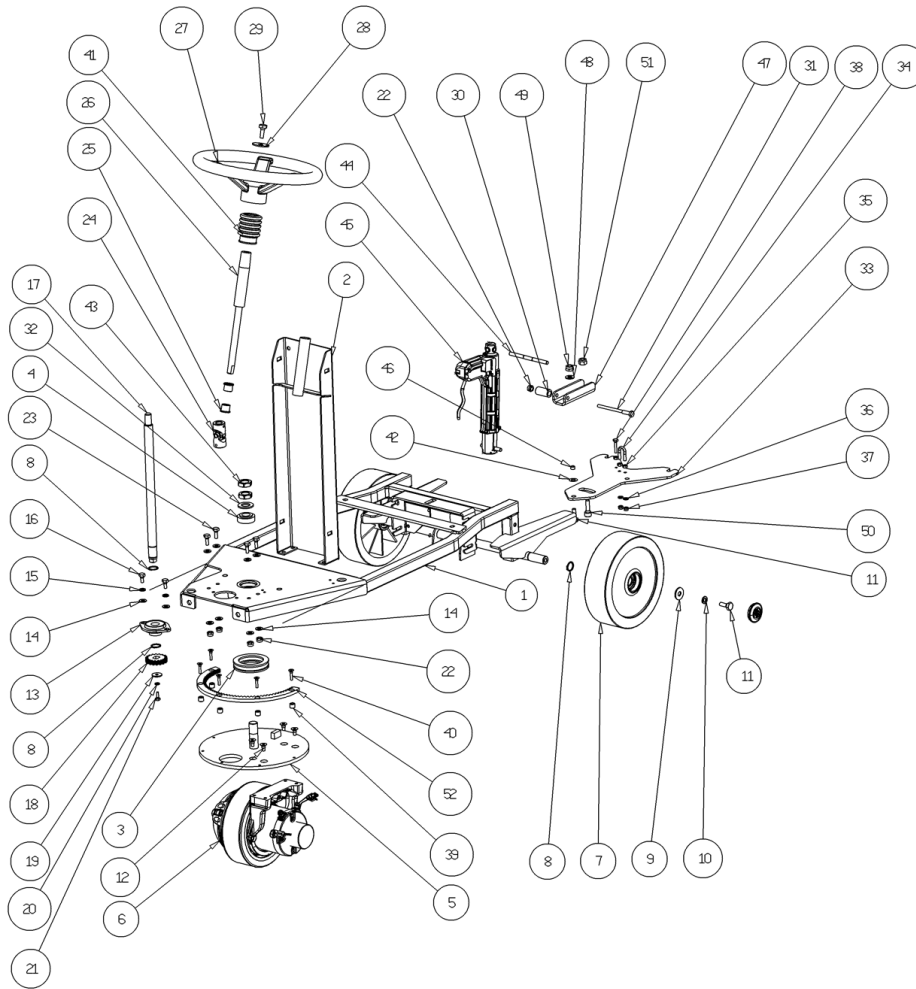
Ref.	K	Part N.	Customer Part N.	Description	Qty	Validity:		Price
						From	To	
0040		MPVR07141		PLATE -	1,00			--
0041		VTRS00516		WASHER D. 5 INX	2,00			--
0042		VTDD01693		NUT M 5 INX	2,00			--
0043		LAFN09321		LEVER -	1,00			--
0044		LAFN09350		PIN -	2,00			--
0045		VTDD07727		NUT M 5 INOX	2,00			--
0046		VTRS13750		WASHER D. 5X14 INX	2,00			--
0047		MECE00588		BOARD POWER SERVICE CT80	1,00			--
0048		MECE00607		BOARD TRACTION CURTIS CT80	1,00			--
0049		BACA00181		BATTERY-CHARGERCT80 GANSOW 24V 25A	1,00			--
0050		LAFN09325		DISTRIBUTOR 60	1,00			--
0051		VTVT00861		SCREW TSPEI 4X25	2,00			--
0052		VTRS00515		WASHER D. 4 INX	2,00			--
0053		VTDD00055		NUT M 4 ATB A2	2,00			--
0054		LAFN09323		TUBE -	1,00			--
0055		MEVR02096		FAIR-LEAD -	1,00			--
0056		VTVT00414		SCREW TE M6x100 UNI5739	1,00			--
0057		VTDD01694		NUT M6 INOX	1,00			--
0058		VTVT00704		SCREW TE M 4X 16 UNI5739 INOX	4,00			--
0059		VTDD15925		NUT M 4 INX	4,00			--
0060		CMCV00469		CABLE CT80	1,00			--
0061		ETET01825		LABEL -	1,00			--
0062		VTDD00053		NUT M6 INOX UNI5589	1,00			--
0063		KTRI02290		CABLE	1,00			--
0064		MEVR32087		FUSE 100A NST.	1,00			--
0065		MEVR00686		FAIR-LEAD DIAMETER 15.5	1,00	02/2015		--
0066		MEVR01136		FUSE 30A	1,00			--
0067		MEVR01136		FUSE 30A	1,00			--
0068		MEVR01136		FUSE 30A	1,00			--
0069		MEVR00565		FUSE 5A	1,00			--
0070		MEVR00565		FUSE 5A	1,00			--
0071		MEVR01621		PLUG -	1,00			--



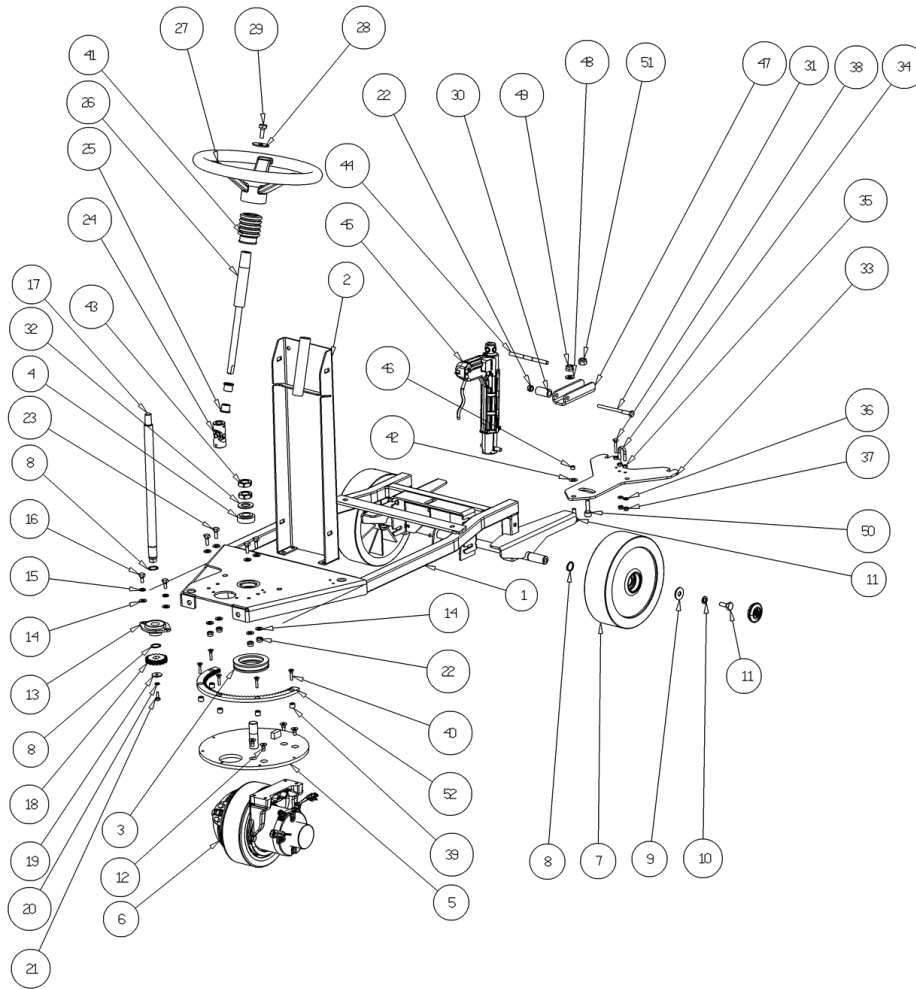
Ref.	K	Part N.	Customer Part N.	Description	Qty	Validity:		Price
						From	To	
0001		MPVR07117		TANK -	1,00			--
0002		FTAC00045		FILTER CT80	1,00			--
0003		RCGR00078		TAP -	1,00			--
0004		RCVR00514		CONNECTOR 1/2 M RESCA 15	1,00			--
0005		RCVR00594		CONNECTOR 1/2" M/F	1,00			--
0006		LAFN09393		BRACKET -	1,00			--
0007		VTRS00567		WASHER 1/2	2,00			--
0008		VTRS13750		WASHER D. 5X14 INX	1,00			--
0009		VTVT01300		SCREW TE M5X12 INOX	1,00			--
0010		MPVR07073		CAP SOLUTION TANK CT110	1,00			--
0011		MPVR07131		CONTAINER BATTERIA CT80	1,00			--
0012		LAFN09401		PIN -	1,00			--
0013		GUVR00288		GASKET N052 S1007	0,80			--
0014		MPVR06102		PROTECTION SOLUTION TANK	2,00			--
0015		GUGO00461		GASKET NBR	4,00	02/2015		--
0015		GUGO40012		GASKET D. 9- 16 X 2 VITON	4,00		02/2015	--
0016		RCVR40127		CONNECTOR 1/8" D. 6/ 8 NIK	2,00			--
0017		RCVR40079		SCREW G 1/8 L= 28	2,00			--
0018		TBBP15347		L.P. HOSE D. 6- 8 RILSAN NT.	0,37			--
0019		MPVR07127		COVER -	1,00			--
0020		VTRS00516		WASHER D. 5 INX	4,00			--
0021		VTVT00805		SCREW TBEI M. 5-10	4,00			--
0022		VTRS13946		WASHER D. 8 X24 INX UNI 6593	2,00			--
0023		VTVT00410		SCREW TE M8x35 UNI5739 INOX	2,00			--
0024		MPVR06399		CAP -	1,00			--
0025		MECI00533		SENSOR VS303-51N	1,00			--
0026		LAFN09408		BRACKET -	1,00			--
0027		VTVT01300		SCREW TE M5X12 INOX	1,00			--
0028		GUGO01054		O-RING D. 15.08 X 2.62 NBR 70SH	1,00	01/2015		--



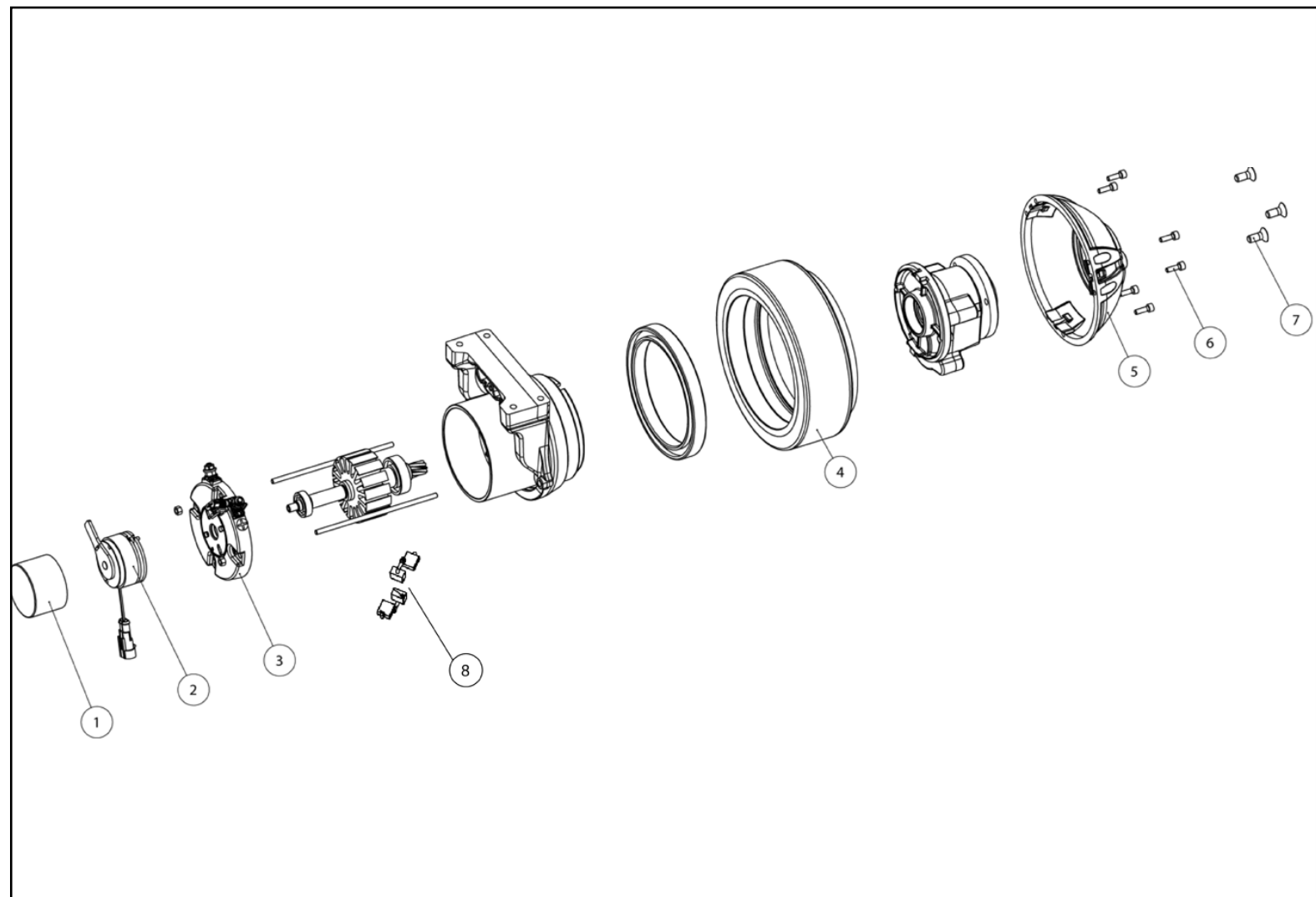
Ref. K	Part N.	Customer Part N.	Description	Qty	Validity:		Price
					From	To	
0001	TBBP00512		TUBE -	1,00			--
0002	LAFN09389		PIN -	1,00			--
0003	VTDD10310		NUT AUTOBL.M10 INOX DIN 985	2,00			--
0004	VTRS15523		WASHER D.10 X21 INOX UNI 6592	2,00			--
0005	MPVR07116		TANK -	1,00			--
0006	LAFN09352		FLANGE -	1,00			--
0007	ITSO00073		INSULATOR -	1,00			--
0008	MOCC00273		MOTOR 3 ST.24V 116598-13	1,00			--
0009	GUGO00272		GASKET VACUUM MOTOR CT	1,00			--
0010	ITSO00072		INSULATOR -	1,00			--
0011	LAFN51077		SPACER PH	2,00			--
0012	VTRS13945		WASHER D. 6X18 INX UNI 6593	2,00			--
0013	VTDD01694		NUT M6 INOX	2,00			--
0014	VTVT00785		ROD FILETTO	2,00			--
0015	MPVR07125		COVER -	1,00			--
0016	MECI00533		SENSOR VS303-51N	1,00			--
0017	MPVR07118		COVER -	1,00			--
0018	GUVR00288		GASKET N052 S1007	1,21			--
0019	ETET01824		LABEL -	1,00			--
0020	MPVR06400		CAP -	1,00			--
0021	VTVT00056		SCREW TSCE 4X12 ACCIAIO INOX	1,00			--
0022	VTRS00515		WASHER D. 4 INX	1,00			--
0023	VTDD00055		NUT M 4 ATB A2	1,00			--
0024	FTDP00232		FILTER -	1,00			--
0025	TBBP00513		TUBE -	1,00			--
0026	SESD86493		DISTRIBUTOR 60	1,00			--
0027	MPVR07132		SHEET METAL PA.CT80	1,00			--
0028	VTRS13750		WASHER D. 5X14 INX	3,00			--
0029	VTRS00516		WASHER D. 5 INX	4,00			--
0030	VTVT00852		SCREW	2,00			--
0031	VTRS13946		WASHER D. 8 X24 INX UNI 6593	4,00			--
0032	VTVT01207		SCREW TBEI 5X35	2,00			--
0033	FSVR00033		CLAMP 45-60	1,00			--
0034	LAFN09400		HOOK -	1,00			--
0035	VTVT21096		SCREW TE M 4X 10 INX	1,00			--
0036	VTVT13937		SCREW TE M 8X 30 INX UNI 5739	4,00			--
0037	VTVT01300		SCREW TE M5X12 INOX	3,00			--
0038	LAFN09353		NET -	1,00			--



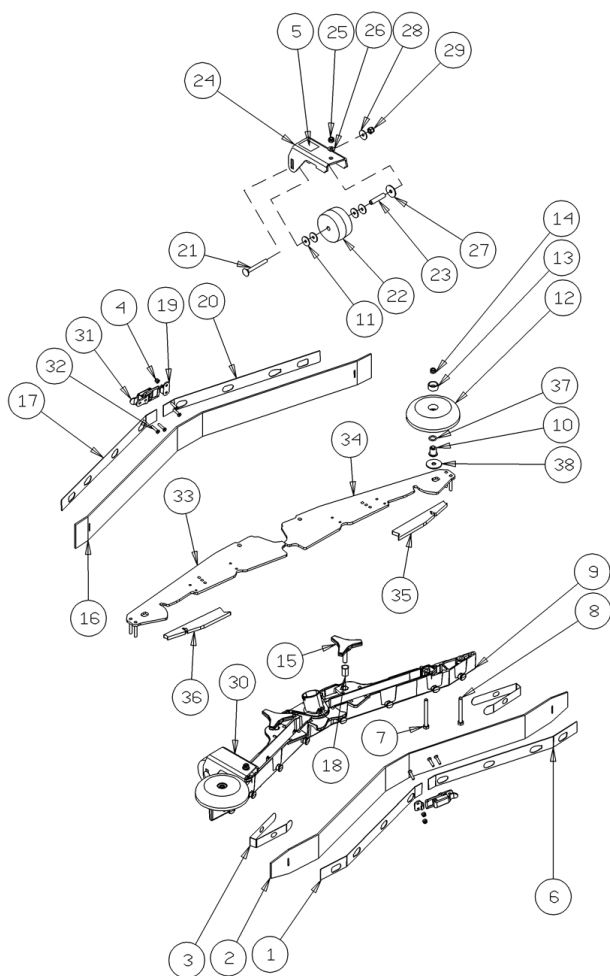
Ref.	K	Part N.	Customer Part N.	Description	Qty	Validity: From To	Price
0001		LAFN09292		FRAME -	1,00		--
0002		LAFN09373		UP STEERING -	1,00		--
0003		CUVR75816		BEARING 51112	1,00		--
0004		CUVR00094		BEARING 32004 TIPO SKF	1,00		--
0005		LAFN09293		PLATE -	1,00		--
0006		MOCC00433		MOTOR ELECTRICAL 24V 300W	1,00		--
0007		RTRT00547		WHEEL D.250x60	2,00		--
0008		VTAE06193		CIRCLIP D. 20 UNI 7435	2,00		--
0009		VTRS15524		WASHER D.10	2,00		--
0010		VTRS15909		WASHER D.10	2,00		--
0011		VTVT03640		SCREW TE 10X25 UNI5740	2,00		--
0012		VTVT00790		SCREW TSPEI M8X16	4,00		--
0013		CUVR00105		SUPPORT	1,00		--
0014		VTRS13947		WASHER D. 8 INX UNI 6592	2,00		--
0015		VTRS15146		WASHER D. 8 INX GRW UNI 1751	2,00		--
0016		VTVT15916		SCREW TE M 8X 16 UNI 5739 A2	2,00		--
0017		LAFN09294		SHAFT -	1,00		--
0018		LAFN06377		PINION STERZO	1,00		--
0019		VTRS16937		WASHER 6x24 INOX UNI 6593	1,00		--
0020		VTRS15144		WASHER D. 6 INX GRW UNI 1751	1,00		--
0021		VTVT15143		SCREW TE 6X16 UNI5739	1,00		--
0022		VTDD01695		NUT M 8 INX	4,00		--
0023		VTVT13938		SCREW TE 8X20 UNI5739 INX	4,00		--
0024		VTVR00057		ARTICULATION CARDANICO	1,00		--
0025		LAFN75841		BUSHING TK 1000	2,00		--
0026		ALTR00097		TRACTION SHAFT LOLY 50	1,00		--
0027		MPVR47027		STEERING WHEEL D. 320 L.14	1,00		--
0028		VTRS44254		WASHER D.10 X40X2.5 UNI6593	1,00		--
0029		VTVT00455		SCREW TE 10X20 UNI5739	1,00		--
0030		LAFN08158		SPACER -	1,00		--
0031		VTVT01677		SCREW TE M 8X100	1,00		--
0032		VTRS00019		WASHER UNI 6592 FORO 20 INOX	1,00		--
0033		LAFN08156		SHEET METAL PA.-	1,00		--
0034		LAFN09231		BRACKET M6X11X29	1,00		--
0035		VTDD15520		NUT M 6 A2 UNI 5588 INX	2,00		--
0036		VTRS00245		WASHER D.6 UNI 6592 INOX	2,00		--
0037		VTDD01694		NUT M6 INOX	2,00		--
0038		VTVT13939		SCREW TE 6X20 UNI5739 INX	1,00		--
0039		LAFN06844		SPACER CORONA	5,00		--



Ref. K	Part N.	Customer Part N.	Description	Qty	Validity:		Price
					From	To	
0040	VTVT25909		SCREW M 6X 25 TSPEI UNI 5933	5,00			--
0041	MPVR51068		PROTECTOR STERZO CLT 160	0,50			--
0042	MLML34767		SPRING D.10.2 X20	1,00			--
0043	VTDD00524		NUT M20x1,5 UNI 5589	2,00			--
0044	LAFN09320		PIN -	1,00			--
0045	MOCC00424		ATUATOR -	1,00			--
0046	LAFN09407		SPACER -	1,00			--
0047	LAFN09406		SUPPORT -	1,00			--
0048	VTRS13947		WASHER D. 8 INX UNI 6592	1,00			--
0049	VTDD01695		NUT M 8 INX	1,00			--
0050	VTVT00307		SCREW TCEI M10X30	1,00			--
0051	VTDD15519		NUT M10 INOX	1,00			--
0052	LAFN09409		BRAKE -	1,00			--



Ref. K	Part N.	Customer Part N.	Description	Qty	Validity:		Price
					From	To	
0001	MPVR06463		COVER -	1,00			--
0002	MEVR01757		BRAKE -	1,00			--
0003	KTRI02294		KIT -	1,00			--
0004	RTRT00552		WHEEL -	1,00			--
0005	MPVR06464		COVER -	1,00			--
0008	MEVR34441		BRUSH MOTOR CC7X14X19 200/400W	4,00			--



Ref.	K	Part N.	Customer Part N.	Description	Qty	Validity:		Price
						From	To	
0001		LAFN09284		SHEET METAL PA.-	1,00			--
0002		MPVR08040		BLADE L LATEX	1,00			--
0003		MPVR05898		CLOSURE L	2,00			--
0004		VTDD00210		NUT M 3 INOX	8,00			--
0005		ETET01817		LABEL -	2,00			--
0006		LAFN09285		SHEET METAL PA.-	1,00			--
0007		VTVT00841		SCREW TE M 6X65 UNI 5739 INX	2,00			--
0008		VTVT00841		SCREW TE M 6X65 UNI 5739 INX	2,00			--
0009		MFVR00217		BODY -	1,00			--
0010		LAFN04100		SPACER PER RUOTINO PARACOLPI	2,00			--
0011		VTRS00274		WASHER NYLON 66 D.8,4-17-2 UNI	4,00			--
0012		MPVR05290		ROLLER PARACOLPI	2,00			--
0013		MPVR49229		BUSHING SHK	2,00			--
0014		VTDD01694		NUT M6 INOX	2,00			--
0015		MPVR06004		KNOB AISI 304	2,00			--
0016		MPVR08036		BLADE L LATEX	1,00			--
0017		LAFN09286		SHEET METAL PA.-	1,00			--
0018		VTVR00567		INSERT -	2,00			--
0019		LAFN09301		SOCKET -	2,00			--
0020		LAFN09287		SHEET METAL PA.-	1,00			--
0021		VTVT01206		SCREW M6X55	2,00			--
0022		RTRT00398		WHEEL -	2,00			--
0023		LAFN07589		SPACER -	2,00			--
0024		LAFN09368		SUPPORT SX	1,00			--
0025		VTDD01694		NUT M6 INOX	2,00			--
0026		VTRS00245		WASHER D.6 UNI 6592 INOX	2,00			--
0027		VTRS16937		WASHER 6x24 INOX UNI 6593	2,00			--
0028		VTRS13945		WASHER D. 6X18 INX UNI 6593	2,00			--
0029		VTDD15518		NUT M 6 INX	2,00			--
0030		LAFN09367		SUPPORT DX	1,00			--
0031		LAFN09302		CLOSURE -	2,00			--
0032		VTVT01070		SCREW TSTC M3X8	8,00			--
0033		LAFN09015		PLATE -	1,00			--
0034		LAFN09014		PLATE -	1,00			--
0035		GUVR00302		GASKET -	1,00			--
0036		GUVR00303		GASKET -	1,00			--
0037		GUGO00164		GASKET	2,00			--
0038		VTRS16937		WASHER 6x24 INOX UNI 6593	2,00			--

Ref.	K	Part N.	Customer Part N.	Description	Qty	Validity:		Price
						From	To	
0000		MECE00607		BOARD TRACTION CURTIS CT80	1,00			--