



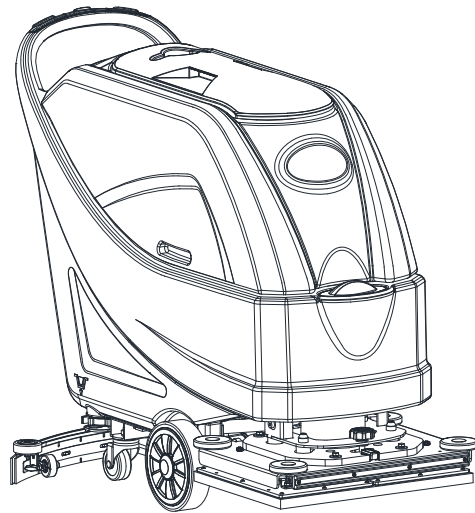
AS5160 & AS5160T / AS516TO

PART LIST

AS5160 & AS5160T



AS516TO



PARTS LIST

TABLE OF CONTENTS

| | |
|---|----|
| GENERAL VIEW..... | 2 |
| SOLUTION TANK ASSEMBLY..... | 4 |
| RECOVERY TANK ASSEMBLY..... | 6 |
| CONTROL SYSTEM AND ELECTRICAL SYSTEM..... | 8 |
| CHASSIS ASSEMBLY (ONLY FOR DISC MACHINE) | 11 |
| CHASSIS ASSEMBLY (ONLY FOR ORBITAL MACHINE) | 13 |
| WHEELS ASSEMBLY..... | 15 |
| WHEELS ASSEMBLY (ONLY FOR ORBITAL MACHINE) | 17 |
| SOLUTION ASSEMBLY..... | 18 |
| BRUSH ASSEMBLY..... | 20 |
| ORBITAL HEAD ASSEMBLY..... | 22 |
| SQUEEGEE ASSEMBLY..... | 24 |
| WEAR AND TEAR PARTS..... | 26 |
| WIRING DIAGRAM..... | 28 |

WHEN ORDERING PARTS

*Use the part numbers from the "Part. No." columns in this parts list.

*Specify the model and serial number of the machine.

*Use the space below to record the model and serial number for future reference.

Model

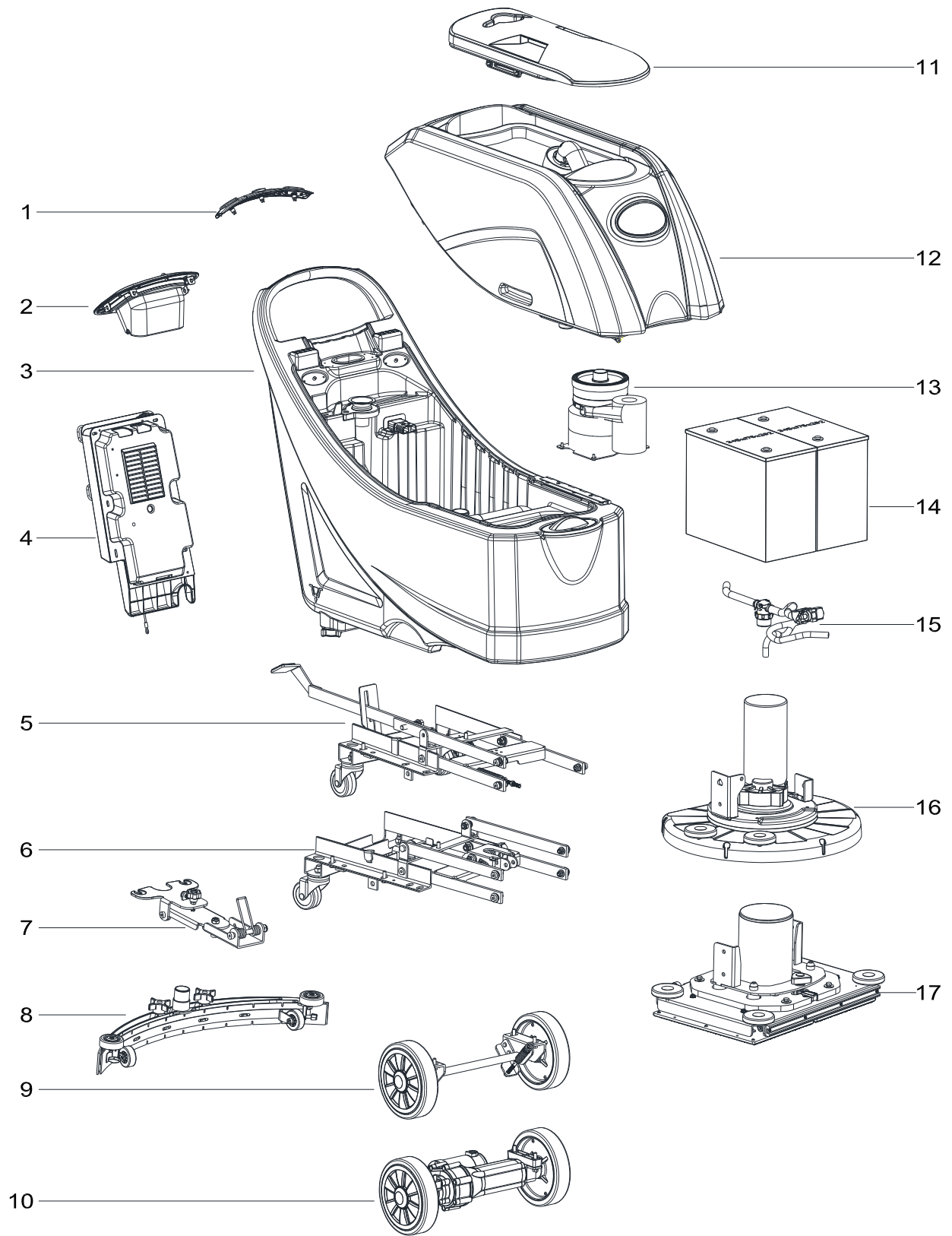
Serial No.

* = Optional

= Modified item No. or New Item No.

PARTS LIST

GENERAL VIEW



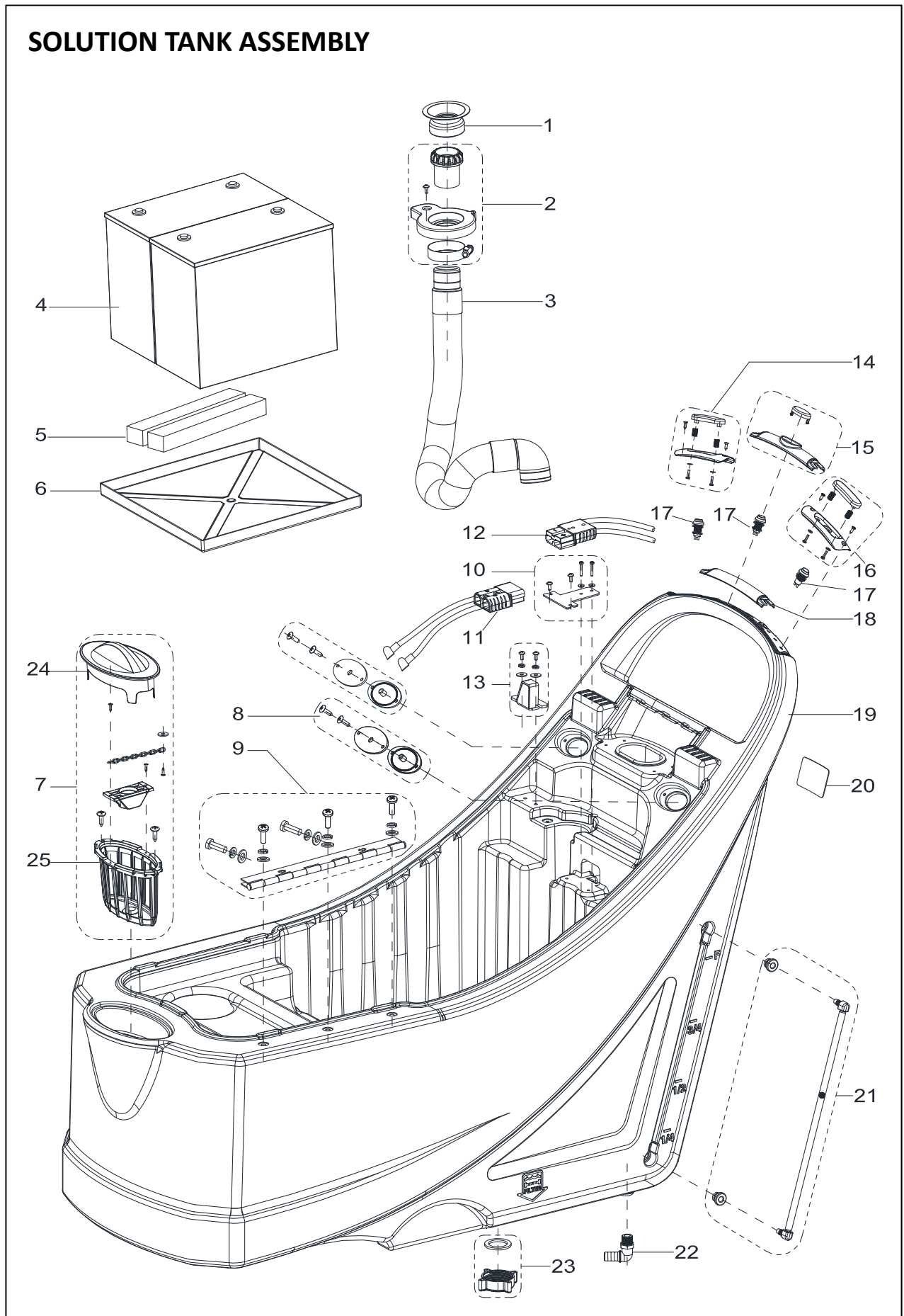
PARTS LIST

GENERAL VIEW

| Item | Description | Qty |
|------|--|-----|
| 1A | SAFETY SWITCH ASSEMBLY WITHOUT TRACTION | 1 |
| 1B | SAFETY SWITCH ASSEMBLY WITH TRACTION | 1 |
| 2 | CONTROL PANEL ASSEMBLY | 1 |
| 3 | SOLUTION TANK ASSEMBLY | 1 |
| 4 | CONTROL BOX ASSEMBLY | 1 |
| 5 | CHASSIS ASSEMBLY (ONLY FOR DISC MACHINE) | 1 |
| 6 | CHASSIS ASSEMBLY(ONLY FOR ORBITAL MACHINE) | 1 |
| 7 | SQUEEGEE HOLDER ASSEMBLY | 1 |
| 8 | 20 INCH SQUEEGEE ASSEMBLY | 1 |
| 9 | WHEEL ASSEMBLY WITHOUT TRACTION | 1 |
| 10 | WHEEL ASSEMBLY WITH TRACTION | 1 |
| 11 | RECOVERY TANK LID ASSEMBLY | 1 |
| 12 | RECOVERY TANK ASSEMBLY | 1 |
| 13 | VACUUM MOTOR ASSEMBLY | 1 |
| 14 | BATTERIES | 1 |
| 15 | SOLUTION SYSTEM ASSEMBLY | 1 |
| 16 | BRUSH DECK ASSEMBLY | 1 |
| 17 | ORBITAL DECK ASSEMBLY | 1 |

PARTS LIST

SOLUTION TANK ASSEMBLY



PARTS LIST

SOLUTION TANK ASSEMBLY

| Item | Part No. | Description | Qty |
|-------|----------|---|-----|
| 1 | VS10603 | DRAIN HOSE GASKET | 1 |
| 2 | VS10101 | SUCTION CONNECTER FRAME KIT | 1 |
| 3 | VS10601 | SUCTION HOSE | 1 |
| 4 | N/A | BATTERY 105/130 Wet, 105/140 AGM (Ah) C20 | 2 |
| 5 | VF90533 | BATTERY SPACER PANEL | 2 |
| 6 | VS10329 | TRAY BATTERY | 1 |
| 7 | VS10102 | FILTER COVER KIT | 1 |
| 8 | VF90265 | SEAL PLATE KIT | 2 |
| 9 | VS10103 | HINGE KIT | 1 |
| 10 | VS10104 | CHARGE PULG BRACKET KIT | 1 |
| 11 | VS10206 | BATTERY CONNECTIONS | 1 |
| 12A | VS10217 | HARNESS CONNECTER WITHOUT TRACTION | 1 |
| 12B/C | VS10207 | HARNESS CONNECTER WITH TRACTION | 1 |
| 13 | VS10105 | FIXED BLOCK KIT | 1 |
| 14 | VS10106 | SAFETY SWITCH RIGHT KIT | 1 |
| 15B/C | VS11101 | FRONT BACK SWITCH KIT | 1 |
| 16 | VS10108 | SAFETY SWITCH LEFT KIT | 1 |
| 17 | VS10202 | WATER-PROOF SWITCH | 3 |
| 18A | VS10316 | MIDDLE HANDLE COVER | 1 |
| 19A/B | VS10303 | SOLUTION TANK | 1 |
| 19C | VS12312 | SOLUTION TANK ORBITAL | 1 |
| 20 | N/A | SERIAL NUMBER LABEL | 1 |
| 21 | VS10109 | WATER LEVEL PIPE KIT | 1 |
| 22 | VF81403P | UNION ELBOW | 1 |
| 23 | VF90536 | OUTLET COVER KIT | 1 |
| 24 | VS10312 | FILTER COVER | 1 |
| 25 | VS10313 | FILTER SUPPORT | 1 |

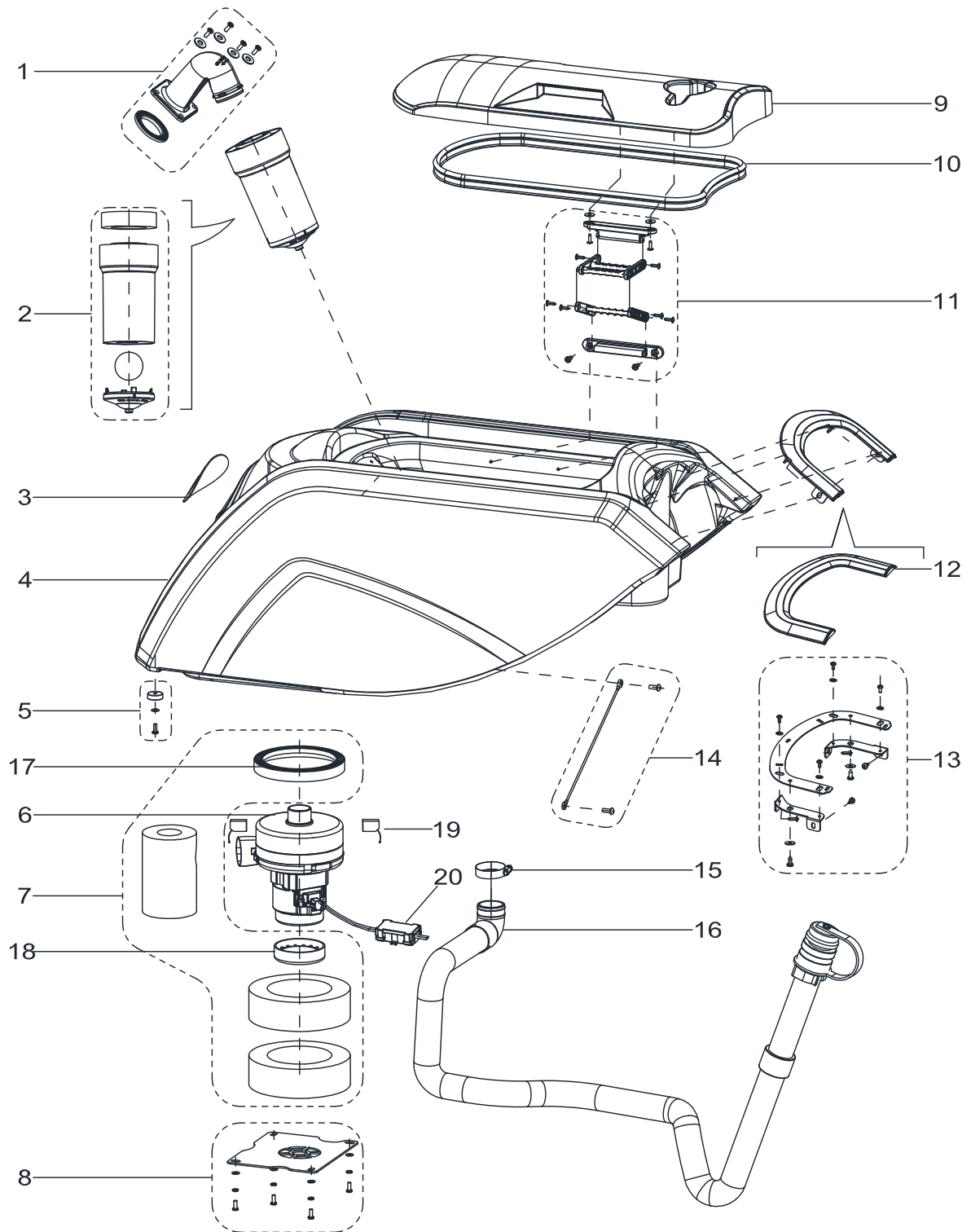
A : ONLY FOR DISC MACHINE WITHOUT TRACTION (AS5160)

B : ONLY FOR DISC MACHINE WITH TRACTION (AS5160T)

C : ONLY FOR ORBITAL MACHINE (AS5160TO)

PARTS LIST

RECOVERY TANK ASSEMBLY



PARTS LIST

RECOVERY TANK ASSEMBLY

| Item | Part No. | Description | Qty |
|------|----------|------------------------------|-----|
| 1 | VS10110 | ELBOW ADAPTOR KIT | 1 |
| 2 | VF90534 | FLOAT KIT | 1 |
| 3 | VF90011 | LOGO LABEL | 1 |
| 4A/B | VS10302 | RECOVERY TANK | 1 |
| 4C | VS12314 | RECOVERY TANK ORBITAL | 1 |
| 5 | VS10111 | RUBBER GASKET KIT | 1 |
| 6 | VF90520 | VACUUM MOTOR | 1 |
| 7 | VS10112 | GASKET VACUUM MOTOR KIT | 1 |
| 8 | VS10113 | VACUUM MOTOR COVER KIT | 1 |
| 9 | VS10301 | RECOVERY TANK LID | 1 |
| 10 | VF90504 | GASKET | 1 |
| 11 | VS10114 | CONNECTION FRAME KIT | 1 |
| 12 | VS10309 | DECORATIVE PANEL | 1 |
| 13 | VS10115 | DECORATIVE PANEL BRACKET KIT | 1 |
| 14 | VS10116 | RECOVERY TANK CABLE KIT | 1 |
| 15 | VA20304 | CLAMP | 1 |
| 16 | VS10602 | DRAIN HOSE | 1 |
| 17 | VA80770 | SUCTION UP GASKET | 1 |
| 18 | VF90523 | TOP GASKET OF SUCTION MOTOR | 1 |
| 19 | VF90522 | CARBON BRUSH KIT | 2 |
| 20 | VR27100 | WATERPROOF CASE | 1 |

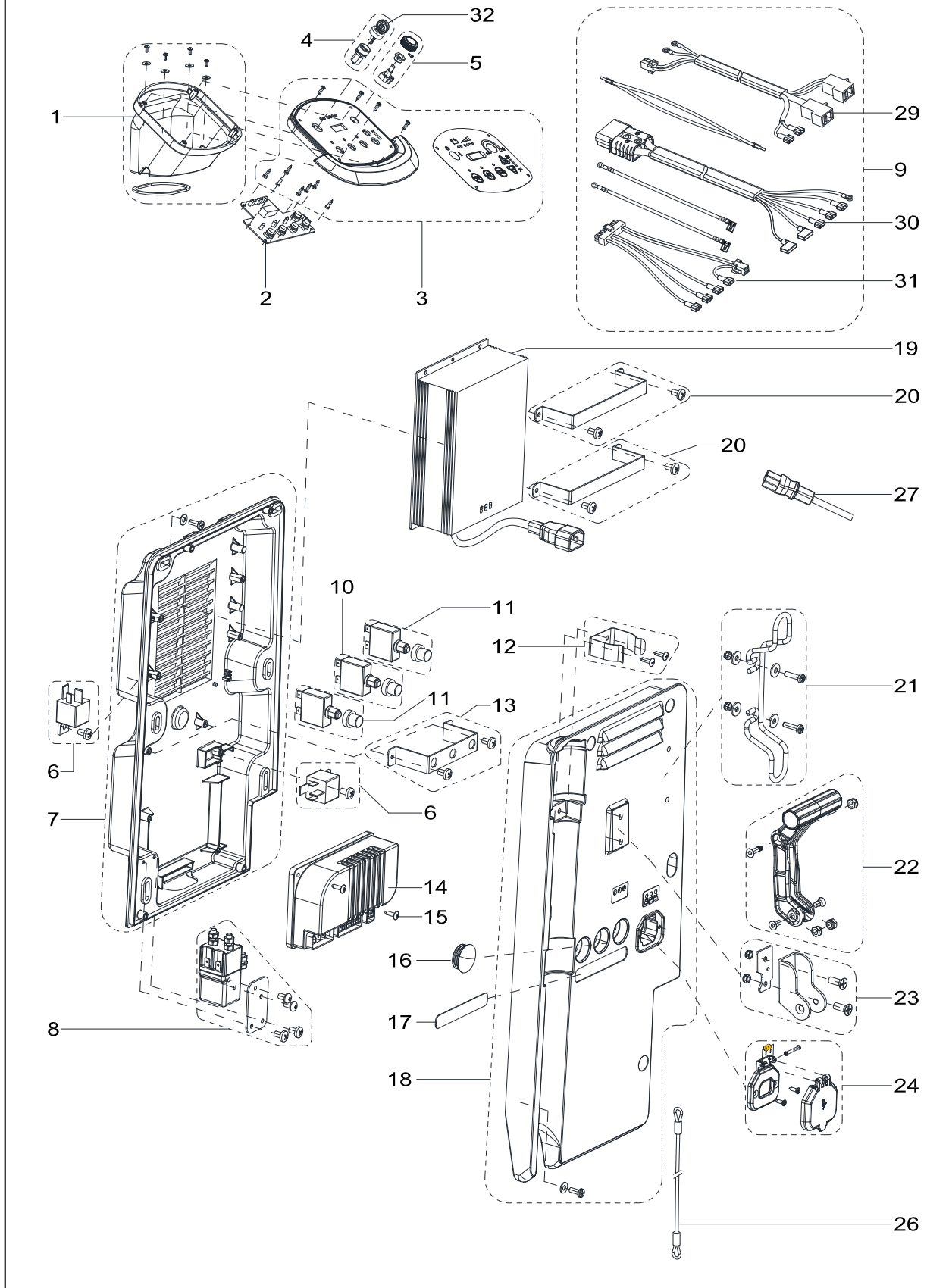
A : ONLY FOR DISC MACHINE WITHOUT TRACTION (AS5160)

B : ONLY FOR DISC MACHINE WITH TRACTION (AS5160T)

C : ONLY FOR ORBITAL MACHINE (AS5160TO)

PARTS LIST

CONTROL SYSTEM AND ELECTRICAL SYSTEM



PARTS LIST

CONTROL SYSTEM AND ELECTRICAL SYSTEM

| Item | Part No. | Description | Qty |
|-------|------------|---|-----|
| 1 | VS10117 | PCB BOX KIT | 1 |
| 2A/B | VS10250 | CONTROL PANEL BOARD DISC | 1 |
| 2C | VS12202 | CONTROL PANEL BOARD ORBITAL | 1 |
| 3A | VS10118 | CONTROL PANEL WITHOUT TRACTION DISC | 1 |
| 3B | VS11102 | CONTROL PANEL WITH TRACTION DISC | 1 |
| 3C | VS12101 | CONTROL PANEL WITH TRACTION ORBITAL | 1 |
| 4 | 9100001354 | KEY SWITCH | 1 |
| 5B/C | VS10120 | ADJUST SPEED KNOB KIT | 1 |
| 6 | VS10230 | RELAY KIT | 2 |
| 7 | VS10121 | CONTROL BOX BOTTOM KIT | 1 |
| 8 | VS10231 | ELECTROMAGNETIC SWITCH KIT | 1 |
| 9A | VS10234 | HARNESS MACHINE KIT WITHOUT TRACTION DISC | 1 |
| 9B | VS11203 | HARNESS MACHINE KIT WITH TRACTION DISC | 1 |
| 9C | VS12102 | HARNESS MACHINE KIT ORBITAL | 1 |
| 10B/C | VS11201 | CIRCUIT BREAKER KIT WITH TRACTION | 1 |
| 11 | VS10232 | CIRCUIT BREAKER KIT | 2 |
| 12 | VF90275 | CLAMP DRAIN HOSE KIT | 1 |
| 13 | VS10122 | FIX BRACKET KIT | 1 |
| 14B/C | VS10209 | ELECTRONIC BOARD WITH TRACTION SYSTEM | 1 |
| 15 | VA80758 | SCREW PA4x16 | 2 |
| 16A | VF85128 | CAP BLACK | 1 |
| 17A | VS10002 | RESET LABEL WITHOUT TRACTION | 1 |
| 17B/C | VS11002 | RESET LABEL WITH TRACTION | 1 |
| 18 | VS10124 | CONTROL BOX COVER KIT | 1 |
| 19A/B | VR27040 | CHARGER 24V 10A US | 1 |
| | VR27041 | CHARGER 24V 10A EU | 1 |
| | VS10243 | CHARGER 24V 10A CN | 1 |
| 19C | VS13260 | CHARGER 24V 13A US | 1 |
| 20 | VS10125 | CHARGER FIX BRACKET KIT | 2 |
| 21 | VF90280 | CABLE SUPPORT KIT | 1 |
| 22 | VF90277 | HANDLE LIFT KIT | 1 |

A : ONLY FOR DISC MACHINE WITHOUT TRACTION (AS5160)

B : ONLY FOR DISC MACHINE WITH TRACTION (AS5160T)

C : ONLY FOR ORBITAL MACHINE (AS5160TO)

PARTS LIST

CONTROL SYSTEM AND ELECTRICAL SYSTEM

| | | | |
|-------|------------|--|---|
| 23 | VF90276 | HAND BRACKET KIT | 1 |
| 24 | VS10126 | CHARGER SOKET KIT | 1 |
| 26 | VS10502 | CABLE SQUEEGEE LIFT | 1 |
| 27 | VF89724 | BATTERY CHARGING CABLE US | 1 |
| | VF89725 | BATTERY CHARGING CABLE EU | 1 |
| | VF89726 | BATTERY CHARGING CABLE UK | 1 |
| | VF89721 | BATTERY CHARGING CABLE CN | 1 |
| 29A/B | VS10212 | HARNESS BRUSH MOTER DISC | 1 |
| 29C | VS10270 | HARNESS BRUSH MOTER ORBITAL | 1 |
| 30A | VS10217 | HARNESS CONNECTER WITHOUT TRACTION | 1 |
| 30B/C | VS10207 | HARNESS CONNECTER WITH TRACTION | 1 |
| 31A | VS10218 | HARNESS CONTROL CIRCUIT WITHOUT TRACTION | 1 |
| 31B | VS10208 | HARNESS CONTROL CIRCUIT WITH TRACTION | 1 |
| 31C | VS13280 | HARNESS CONTROL CIRCUIT ORBITAL | 1 |
| 32 | 1462887000 | KEY | 1 |

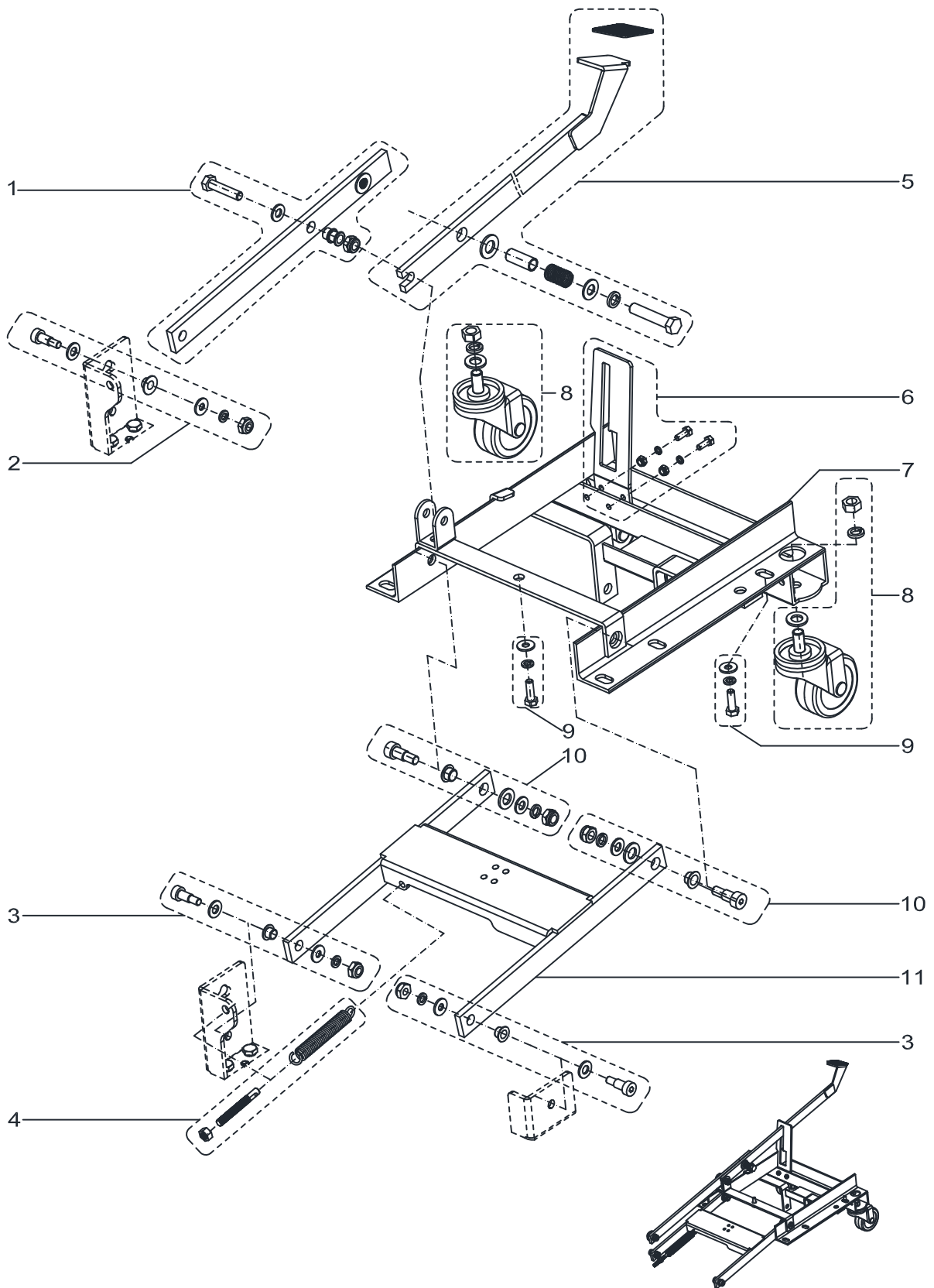
A : ONLY FOR DISC MACHINE WITHOUT TRACTION (AS5160)

B : ONLY FOR DISC MACHINE WITH TRACTION (AS5160T)

C : ONLY FOR ORBITAL MACHINE (AS5160TO)

PARTS LIST

CHASSIS ASSEMBLY (ONLY FOR DISC MACHINE)



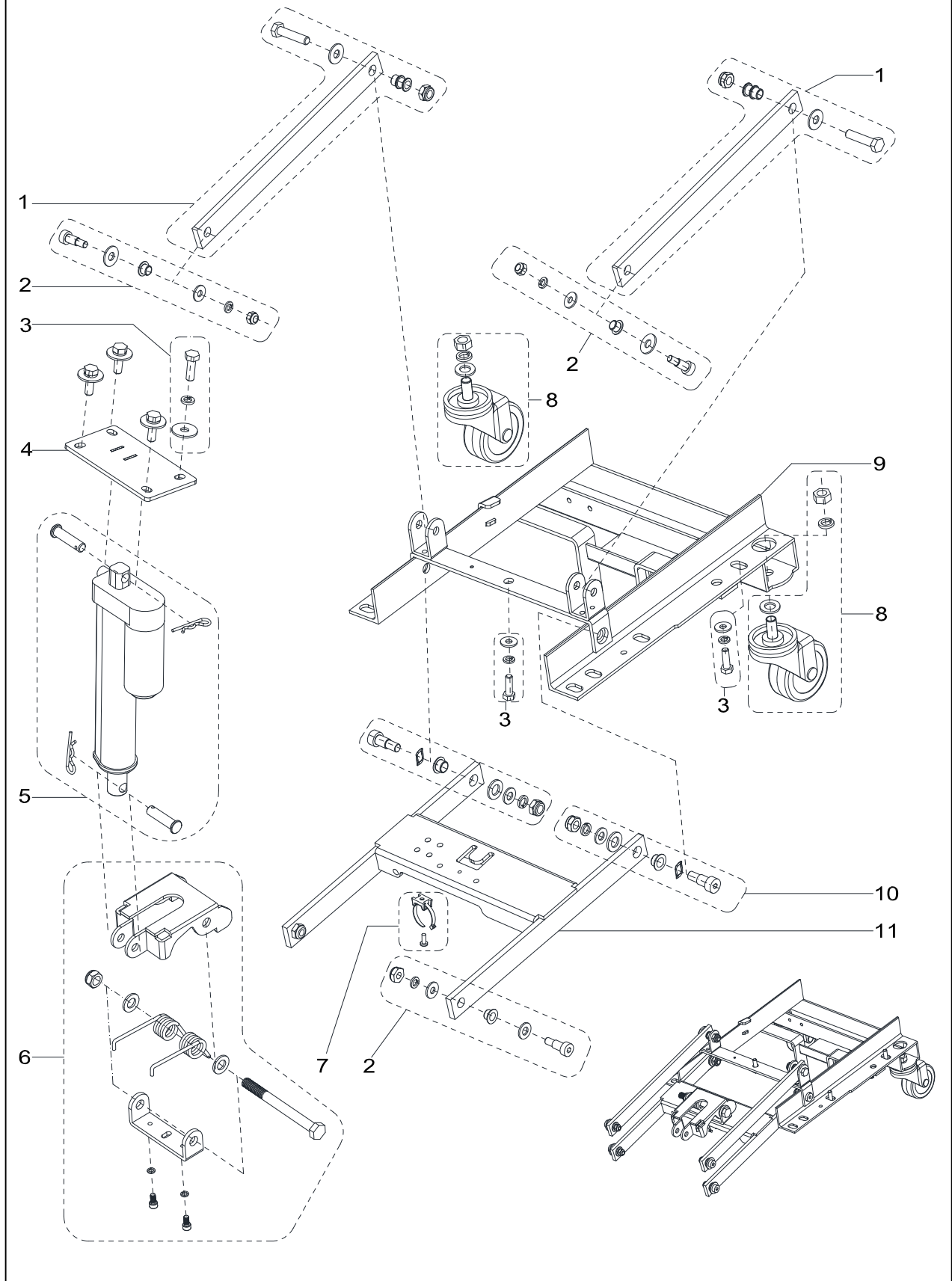
PARTS LIST

CHASSIS ASSEMBLY (ONLY FOR DISC MACHINE)

| Item | Part No. | Description | Qty |
|-------------|-----------------|-------------------------------|------------|
| 1 | VS10138 | FRONT PEDAL BRUSH LIFTING KIT | 1 |
| 2 | VS10134 | SCREW KIT-1 | 1 |
| 3 | VS10136 | SCREW KIT-3 | 2 |
| 4 | VS10139 | SPRING KIT | 1 |
| 5 | VS10140 | BACK PEDAL BRUSH LIFTING KIT | 1 |
| 6 | VS10141 | PEDAL SUPPORT KIT | 1 |
| 7 | VS10406 | CHASSIS | 1 |
| 8 | VS10142 | 3 INCH CASTER KIT | 2 |
| 9 | VS10135 | SCREW KIT-2 | 1 |
| 10 | VS10137 | SCREW KIT-4 | 2 |
| 11 | VS10404 | BRUSH LIFTING SUPPORT | 1 |

PARTS LIST

CHASSIS ASSEMBLY (ONLY FOR ORBITAL MACHINE)



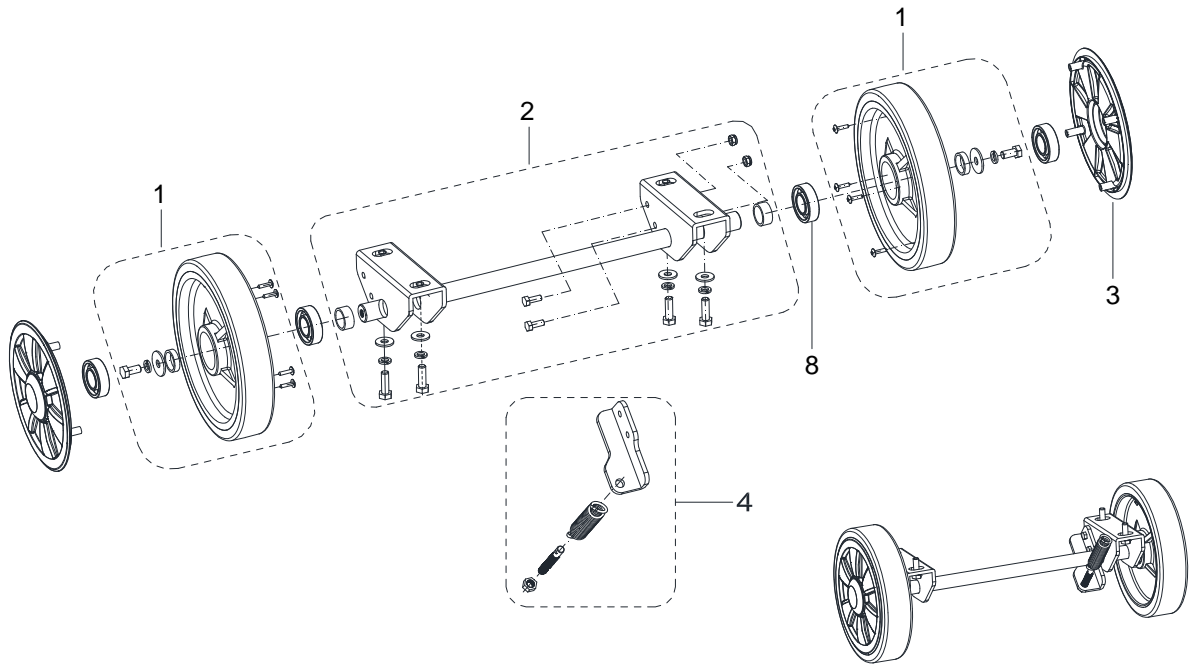
PARTS LIST

CHASSIS ASSEMBLY (ONLY FOR ORBITAL MACHINE)

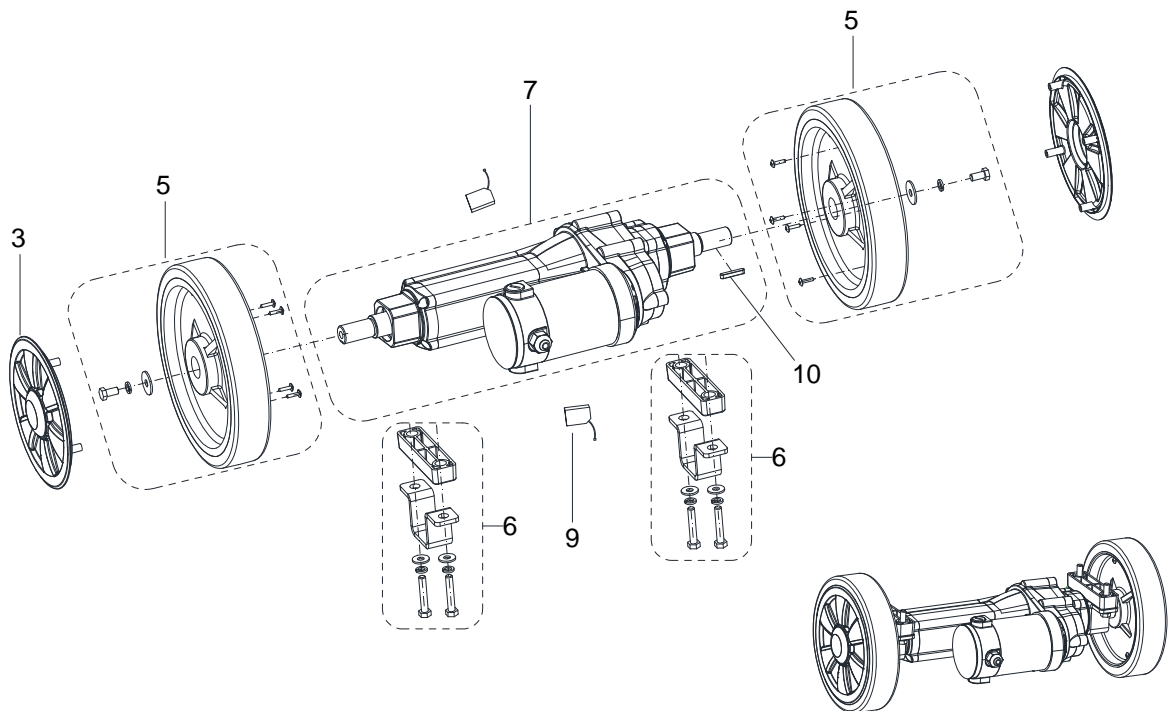
| Item | Part No. | Description | Qty |
|-------------|-----------------|------------------------------|------------|
| 1 | VS13760 | CONNECTING ROD WITH SCREW K2 | 2 |
| 2 | VS10136 | SCREW KIT 1 | 4 |
| 3 | VS10135 | SCREW KIT 3 | 9 |
| 4 | VS12410 | ACTUATOR HOLDER | 1 |
| 5 | VS13762 | ACTUATOR KIT | 1 |
| 6 | VS13763 | SPRING HOLDER KIT | 1 |
| 7 | VS13702 | WIRE CLASPS KIT | 1 |
| 8 | VS13757 | 3 INCH CASTER KIT | 2 |
| 9 | VS13431 | CHASSIS | 1 |
| 10 | VS13761 | SCREW KIT 4 FOR CHASSIS | 2 |
| 11 | VS10404 | BRUSH LIFTING SUPPORT | 1 |

PARTS LIST

WHEEL ASSEMBLY (ONLY FOR DISC MACHINE WITHOUT TRACTION)



WHEEL ASSEMBLY (ONLY FOR DISC MACHINE WITH TRACTION)

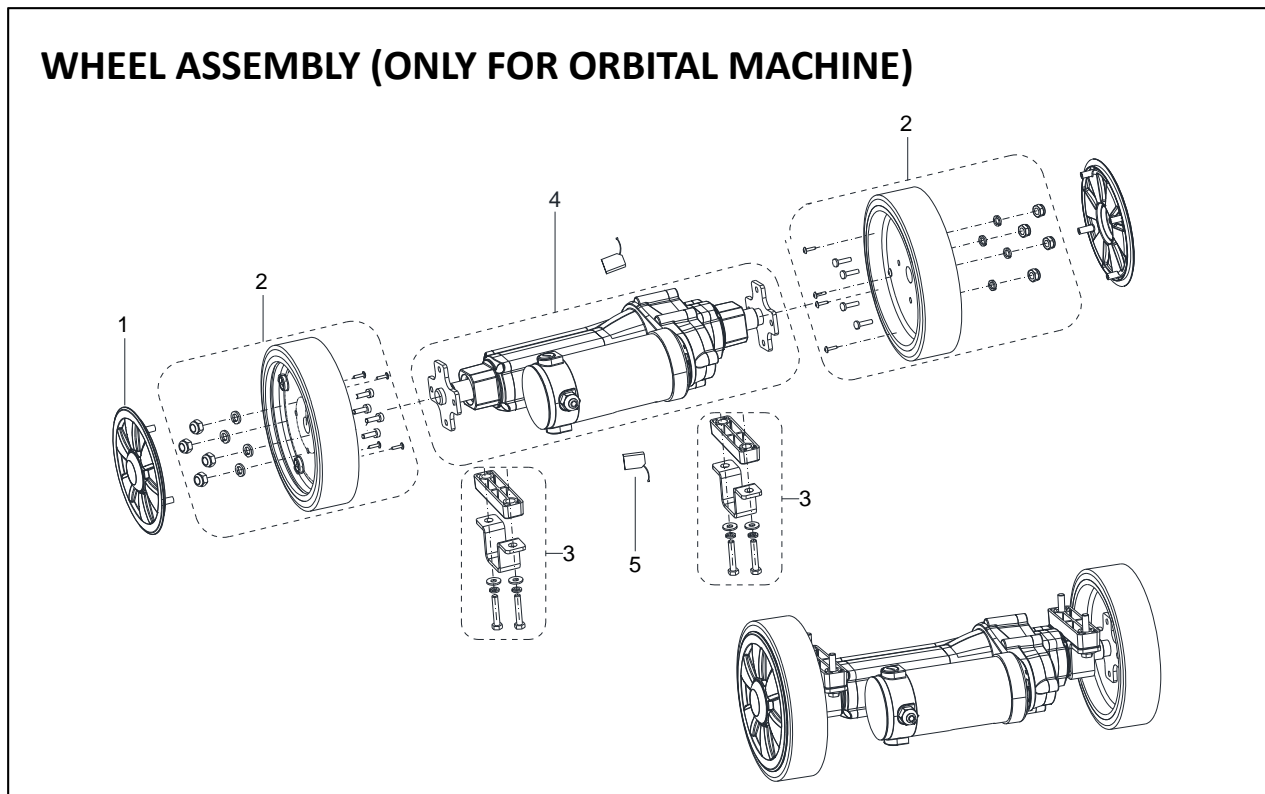


PARTS LIST

WHEELS ASSEMBLY

| Item | Part No. | Description | Qty |
|------|----------|-----------------------------------|-----|
| 1 | VS10143 | 8 INCH WHEEL WITHOUT TRACTION KIT | 2 |
| 2 | VS10144 | WHEEL SHAFT FIXED PLATE KIT | 1 |
| 3 | VS10330 | WHEEL-COVER | 4 |
| 4 | VS10145 | SPRING KIT | 1 |
| 5 | VS11103 | 8 INCH WHEEL WITH TRACTION KIT | 2 |
| 6 | VS10147 | TRACTION MOUNT KIT | 2 |
| 7 | VS11702 | 150W MOTOR TRACTION | 1 |
| 8 | VF14075 | BEARING 6004RS | 4 |
| 9 | VS11703 | CARBON BRUSH KIT | 2 |
| 10 | VS11706 | KEY | 2 |

PARTS LIST

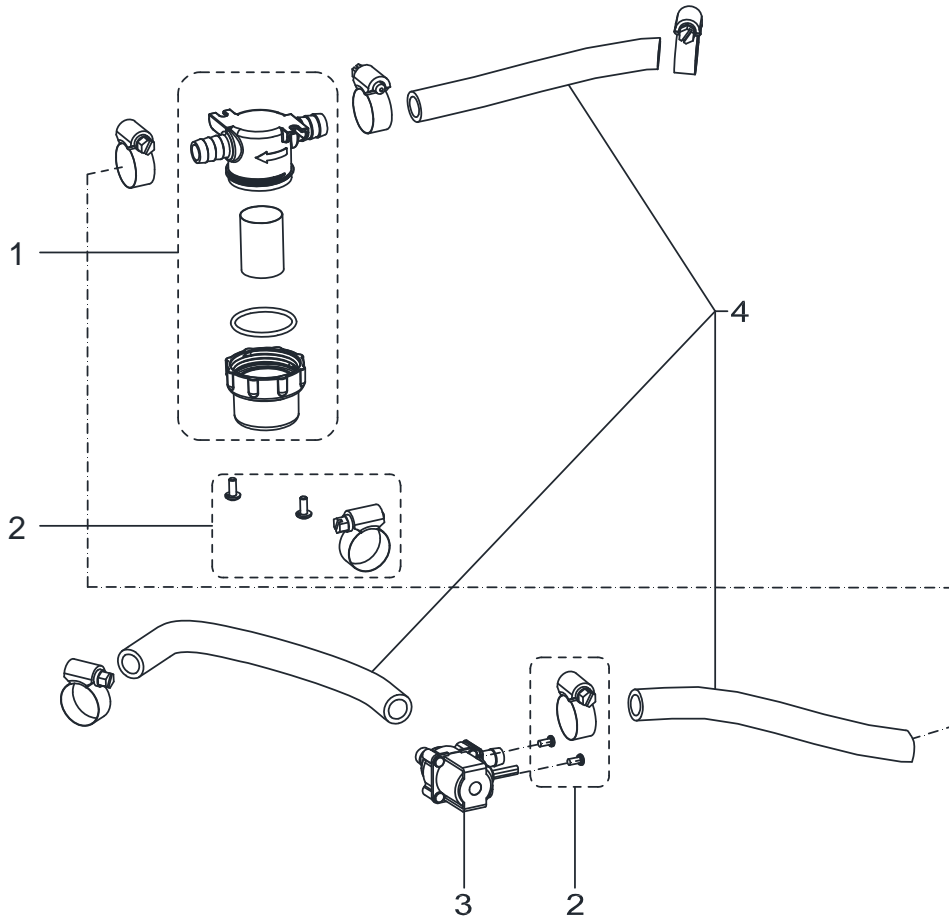
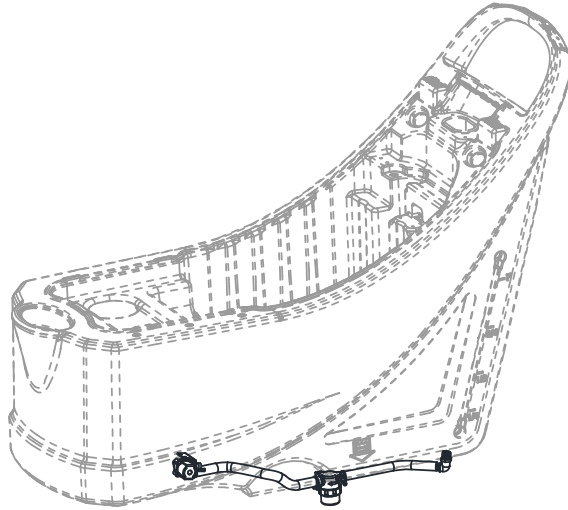


WHEELS ASSEMBLY (ONLY FOR ORBITAL MACHINE)

| Item | Part No. | Description | Qty |
|------|----------|---------------------------|-----|
| 1 | VS10330 | WHEEL-COVER | 2 |
| 2 | VS13756 | 8 INCH WHEEL TRACTION KIT | 2 |
| 3 | VS10147 | TRACTION MOUNT KIT | 2 |
| 4 | VS11704 | 250W MOTOR TRACTION | 1 |
| 5 | VS11703 | CARBON BRUSH KIT | 2 |

PARTS LIST

SOLUTION ASSEMBLY



PARTS LIST

SOLUTION ASSEMBLY

| Item | Part No. | Description | Qty |
|------|----------|----------------------|-----|
| 1 | VF90621 | FILTER KIT | 1 |
| 2 | VS10148 | SCREW AND CLAMP KIT | 1 |
| 3 | VF90282 | SOLENOID VALVE | 1 |
| 4A/B | VS10149 | TUBE KIT | 1 |
| 4C | VS13793 | STEEL TUBE KIT 750mm | 1 |

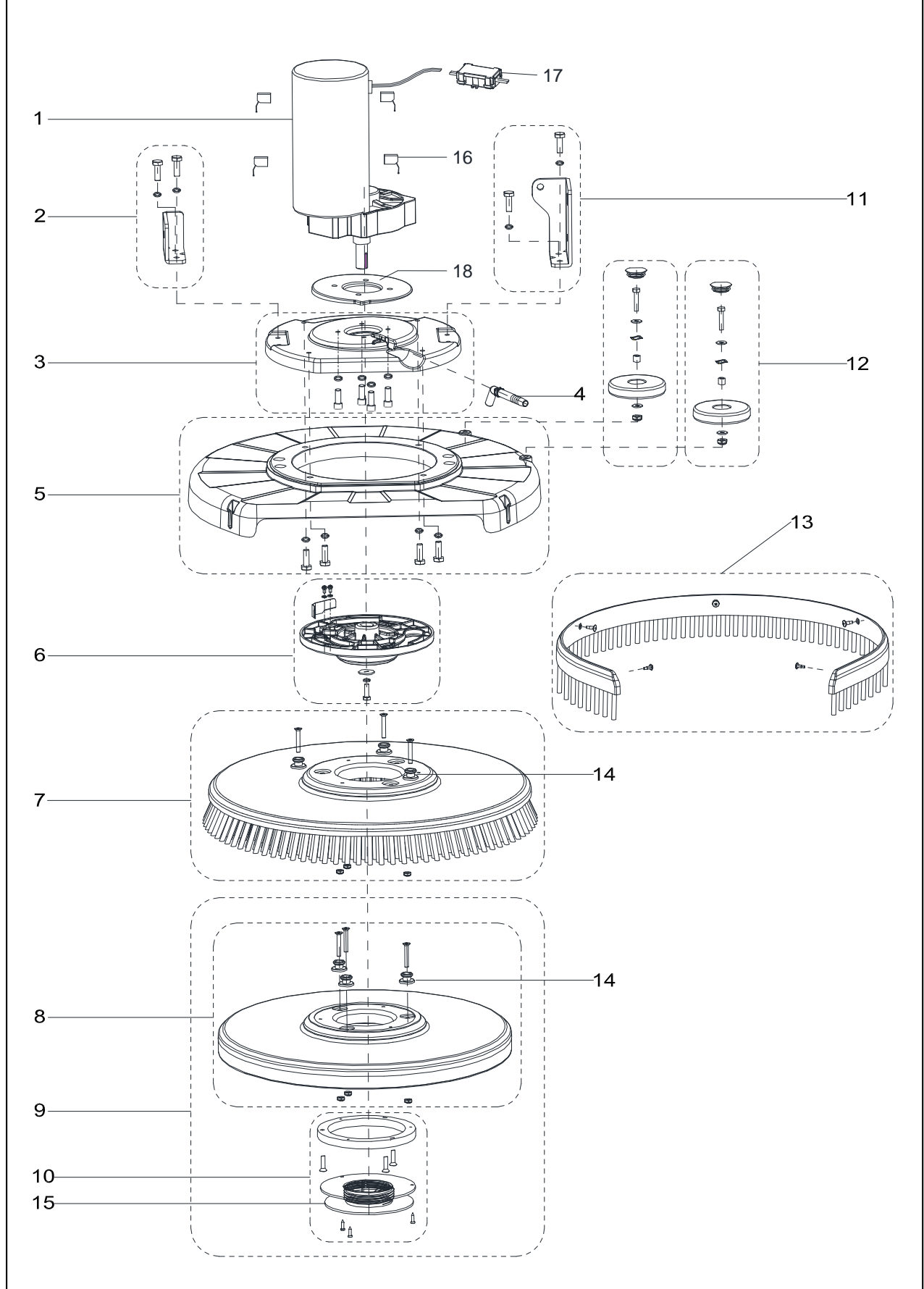
A : ONLY FOR DISC MACHINE WITHOUT TRACTION (AS5160)

B : ONLY FOR DISC MACHINE WITH TRACTION (AS5160T)

C : ONLY FOR ORBITAL MACHINE (AS5160TO)

PARTS LIST

BRUSH ASSEMBLY (ONLY FOR DISC MACHINE)



PARTS LIST

BRUSH ASSEMBLY (ONLY FOR DISC MACHINE)

| Item | Part No. | Description | Qty |
|------|----------|----------------------------|-----|
| 1 | VS10702 | BRUSH MOTOR KIT | 1 |
| 2 | VS10132 | SHORT CONNECTION PLATE KIT | 1 |
| 3 | VS10128 | MOTOR FIXING PLATE KIT | 1 |
| 4 | VS10337 | ELBOW | 1 |
| 5 | VS10129 | BRUSH DECK KIT | 1 |
| 6 | VS10130 | PLATE DRIVE KIT | 1 |
| 7 | VF90417 | 20 INCH BRUSH | 1 |
| 8* | VF90416 | 20 INCH PAD | 1 |
| 9* | VF90454 | 20 INCH PAD WITH RETAINER | 1 |
| 10* | VS10131 | RETAINER PAD KIT | 1 |
| 11 | VS10127 | LONG CONNECTION PLATE KIT | 1 |
| 12 | VS10133 | BUMPER ROLLER KIT | 2 |
| 13* | VS10151 | SKIRT KIT | 1 |
| 14 | VF90469 | STUD | 3 |
| 15 | VF99003A | RETAINER PAD | 1 |
| 16 | VF89116 | CARBON BRUSH KIT | 4 |
| 17 | VR27100 | WATERPROOF CASE | 1 |
| 18B | VS11308 | BALANCE BLOCK | 1 |

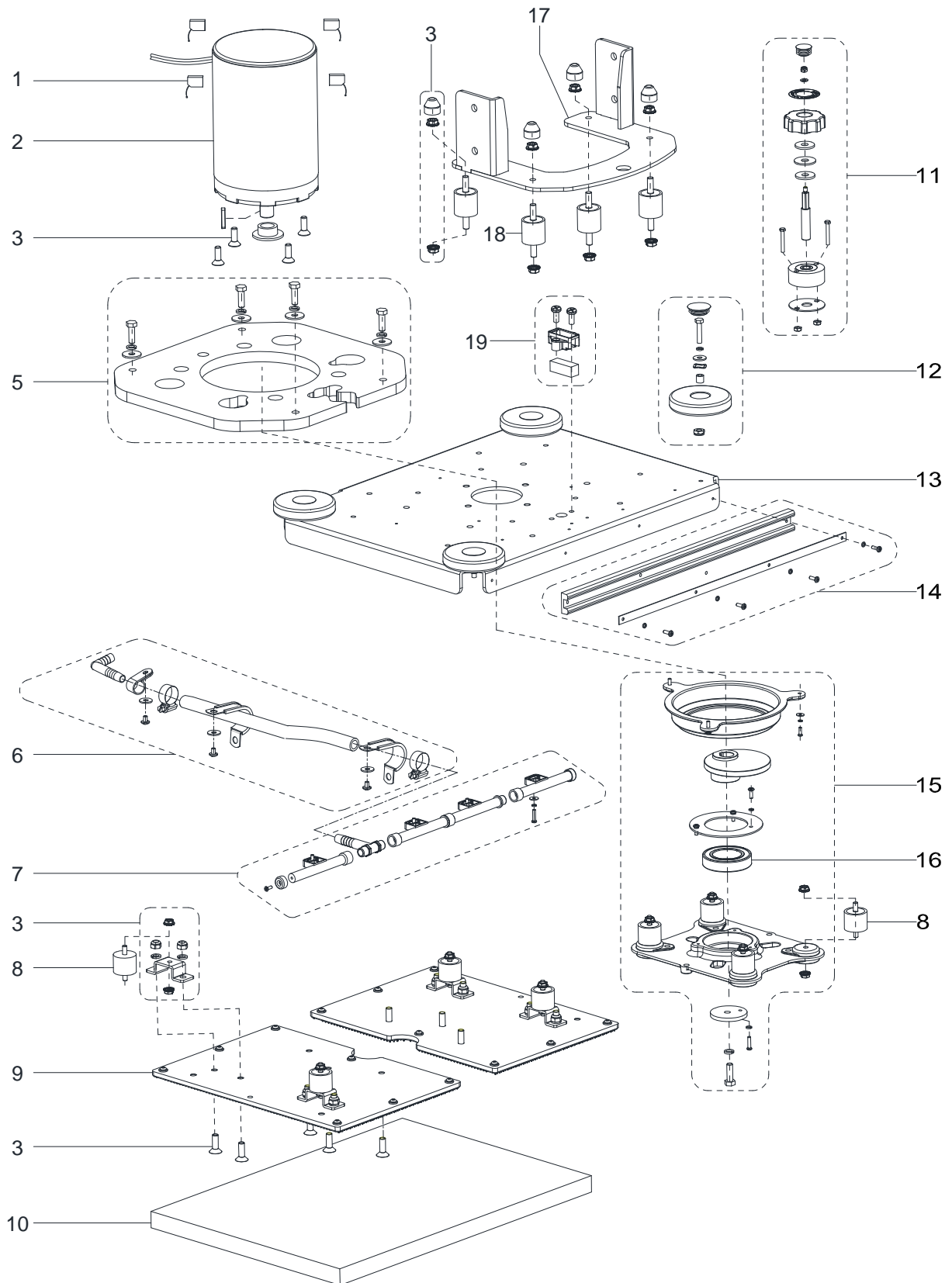
A : ONLY FOR DISC MACHINE WITHOUT TRACTION (AS5160)

B : ONLY FOR DISC MACHINE WITH TRACTION (AS5160T)

C : ONLY FOR ORBITAL MACHINE (AS5160TO)

PARTS LIST

ORBITAL HEAD ASSEMBLY



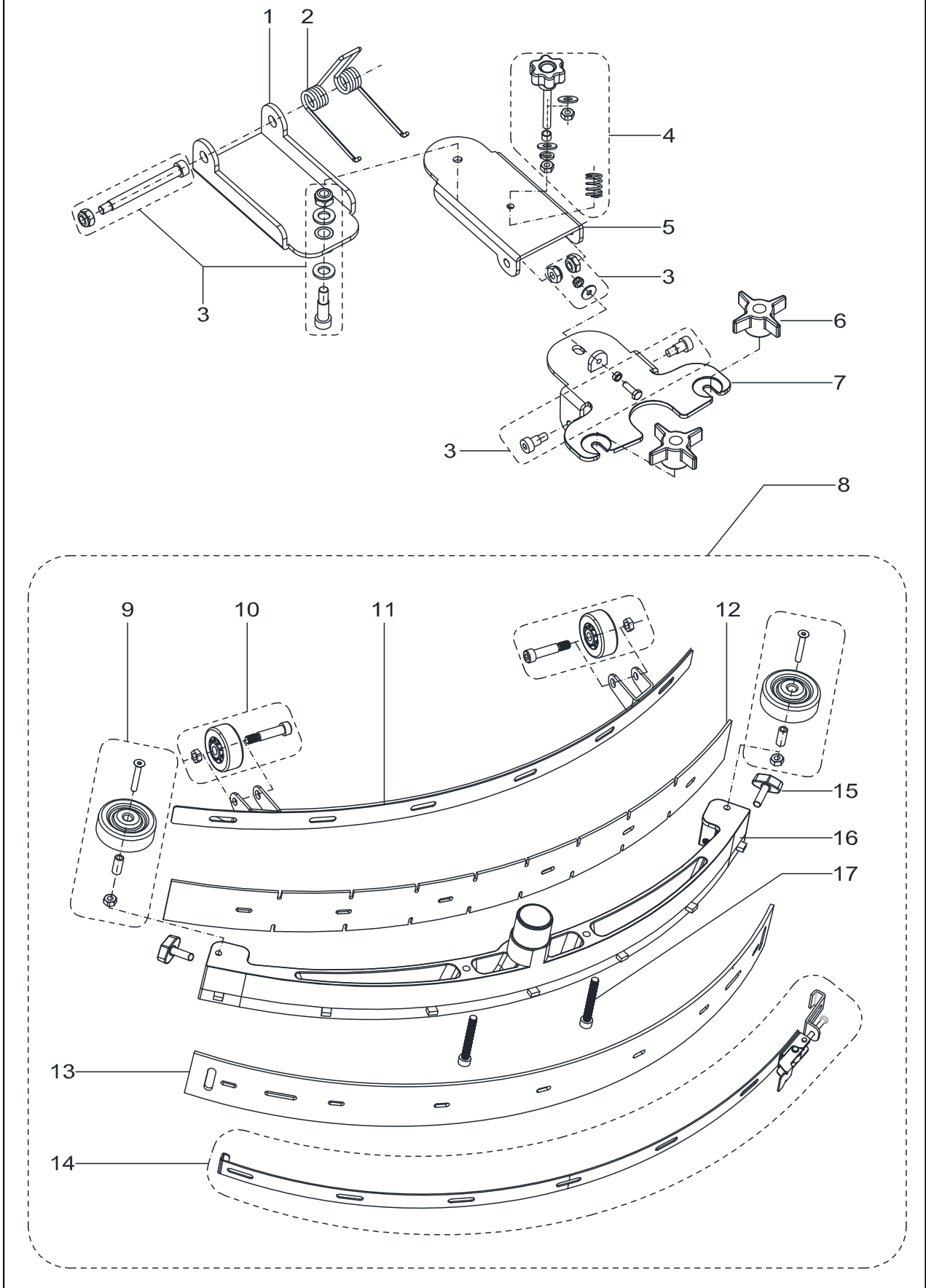
PARTS LIST

ORBITAL HEAD ASSEMBLY

| Item | Part No. | Description | Qty |
|------|----------|----------------------------------|-----|
| 1 | VF89116 | CARBON BRUSH KIT | 4 |
| 2 | VS10706 | ORBITAL MOTOR 750W | 1 |
| 3 | VS13766 | SUPPORT LOWER ISOLATOR SCREW KIT | 1 |
| 5 | VS12106 | WEIGHT BLOCK KIT | 1 |
| 6 | VS13772 | INLET PIPE KIT | 1 |
| 7 | VS13771 | OUTLET PIPE KIT | 1 |
| 8 | 56382990 | ISOLATOR-1.25 30 DURO 1/4-20 | 8 |
| 9 | VS13510 | FLEX PLATE ASSY 20INCH | 2 |
| 10 | 997020 | 20 INCH RED PAD | 1 |
| 11 | VS12104 | HORIZONTAL ADJUSTMENT KIT | 1 |
| 12 | VS10133 | BUMPER ROLLER KIT | 4 |
| 13 | VS12402 | PLATE, MAIN,20 INCH ORBITAL | 1 |
| 14 | VS13769 | RUBBER BUMPER KIT | 1 |
| 15 | VS13770 | DRIVER PLATE KIT | 1 |
| 16 | 50736A | BEARING | 1 |
| 17 | VS13417 | PLATE HEAD DECK | 1 |
| 18 | 56380272 | ISOLATOR - 50 DURO 5/16 – 18 | 4 |
| 19 | VS13768 | LEVEL KIT | 4 |

PARTS LIST

SQUEEGEE ASSEMBLY



PARTS LIST

SQUEEGEE ASSEMBLY

| Item | Part No. | Description | Qty |
|------|----------|----------------------------------|-----|
| 1 | VS10401 | FRONT-SQUEEGEE-SUPPORT | 1 |
| 2 | VF82172 | SPRING 70° | 1 |
| 3 | VS13711 | HARDWARE SQUEEGEE SUPPORT KIT | 1 |
| 4 | VF90141 | HAND WHEEL KIT | 1 |
| 5 | VF90110 | BACK-SQUEEGEE-SUPPORT | 1 |
| 6 | VF81210 | KNOB | 2 |
| 7 | VF90109 | SQUEEGEE-SUPPORT | 1 |
| 8 | VF90135 | 20 INCH SQUEEGEE KIT | 1 |
| 9 | VF90137 | BUMPER ROLLER KIT | 2 |
| 10 | VF90136 | SQUEEGEE ROLL WHEEL KIT | 2 |
| 11 | VF90118 | 20 INCH STRAP, SQUEEGEE FRONT | 1 |
| 12 | VF90119 | 20 INCH BLADE FRONT NR | 1 |
| 12* | VF90148 | 20 INCH BLADE FRONT PU | 1 |
| 13 | VF90120 | 20 INCH BLADE REAR NR | 1 |
| 13* | VF90149 | 20 INCH BLADE REAR PU | 1 |
| 14 | VF90139 | 20 INCH STRAP, SQUEEGEE BACK KIT | 1 |
| 15 | VF85420 | WING NUT M8x30 | 2 |
| 16 | VF90117 | SQUEEGEE 20 INCH | 1 |
| 17 | VF90127 | SQUEEGEE SCREW M8x65 | 2 |

PARTS LIST

WEAR AND TEAR PARTS

| Item | Part No. | Description | Qty |
|-------|------------|---|-----|
| 1 | VS10603 | DRAIN HOSE GASKET | 1 |
| 2 | VS10601 | SUCTION HOSE | 1 |
| 3 | VS10102 | FILTER COVER KIT | 1 |
| 4 | VS10202 | WATER-PROOF SWITCH | 3 |
| 5 | VS10109 | WATER LEVEL PIPE KIT | 1 |
| 6 | VF90536 | OUTLET COVER KIT | 1 |
| 7 | VS10110 | ELBOW ADAPTOR KIT | 1 |
| 8 | VF90534 | FLOAT KIT | 1 |
| 9 | VF90520 | VACUUM MOTOR | 1 |
| 10 | VF90504 | GASKET | 1 |
| 11 | VS10114 | CONNECTION FRAME KIT | 1 |
| 12 | VS10602 | DRAIN HOSE | 1 |
| 13A/B | VS10250 | CONTROL PANEL BOARD DISC | 1 |
| 13C | VS12202 | CONTROL PANEL BOARD ORBITAL | 1 |
| 14 | 9100001354 | KEY SWITCH | 1 |
| 15 | VS10230 | RELAY KIT | 2 |
| 16 | VS10231 | ELECTROMAGNETIC SWITCH KIT | 1 |
| 17A | VS10234 | HARNESS MACHINE KIT WITHOUT TRACTION DISC | 1 |
| 17B | VS11203 | HARNESS MACHINE KIT WITH TRACTION DISC | 1 |
| 17C | VS12102 | HARNESS MACHINE KIT ORBITAL | 1 |
| 18B/C | VS11201 | CIRCUIT BREAKER KIT WITH TRACTION | 1 |
| 19 | VS10232 | CIRCUIT BREAKER KIT | 1 |
| 20B/C | VS10209 | ELECTRONIC BOARD WITH TRACTION SYSTEM | 1 |
| 21 | VR27041 | CHARGER 24V 10A | 1 |
| 22 | VS10502 | CABLE SQUEEGEE LIFT | 1 |
| 23 | VS10142 | 3 INCH CASTER KIT | 2 |
| 24A | VS10143 | 8 INCH WHEEL WITHOUT TRACTION KIT | 2 |
| 25B | VS11103 | 8 INCH WHEEL WITH TRACTION KIT | 2 |
| 25C | VS13756 | 8 INCH WHEEL TRACTION KIT | 2 |
| 26B | VS11702 | 150W MOTOR TRACTION | 1 |
| 26C | VS11704 | 250W MOTOR TRACTION | 1 |
| 27 | VF90621 | FILTER KIT | 1 |

A : ONLY FOR DISC MACHINE WITHOUT TRACTION (AS5160)

B : ONLY FOR DISC MACHINE WITH TRACTION (AS5160T)

C : ONLY FOR ORBITAL MACHINE (AS5160TO)

PARTS LIST

WEAR AND TEAR PARTS

| | | | |
|----|---------|---------------------------|---|
| 28 | VF90282 | SOLENOID VALVE | 1 |
| 29 | VS10702 | BRUSH MOTOR KIT | 1 |
| 30 | VS10706 | ORBITAL MOTOR 750W | 1 |
| 31 | VS10337 | ELBOW | 1 |
| 32 | VF90417 | 20 INCH BRUSH | 1 |
| 33 | VF90454 | 20 INCH PAD WITH RETAINER | 1 |
| 34 | VS10133 | BUMPER ROLLER KIT | 2 |
| 35 | VF90141 | HAND WHEEL KIT | 1 |
| 36 | VF81210 | KNOB | 2 |
| 37 | VF90137 | BUMPER ROLLER KIT | 2 |
| 38 | VF90136 | SQUEEGEE ROLL WHEEL KIT | 2 |
| 39 | VF90119 | 20 INCH BLADE FRONT NR | 1 |
| 40 | VF90120 | 20 INCH BLADE REAR NR | 1 |
| 41 | VF85420 | WING NUT M8x30 | 2 |

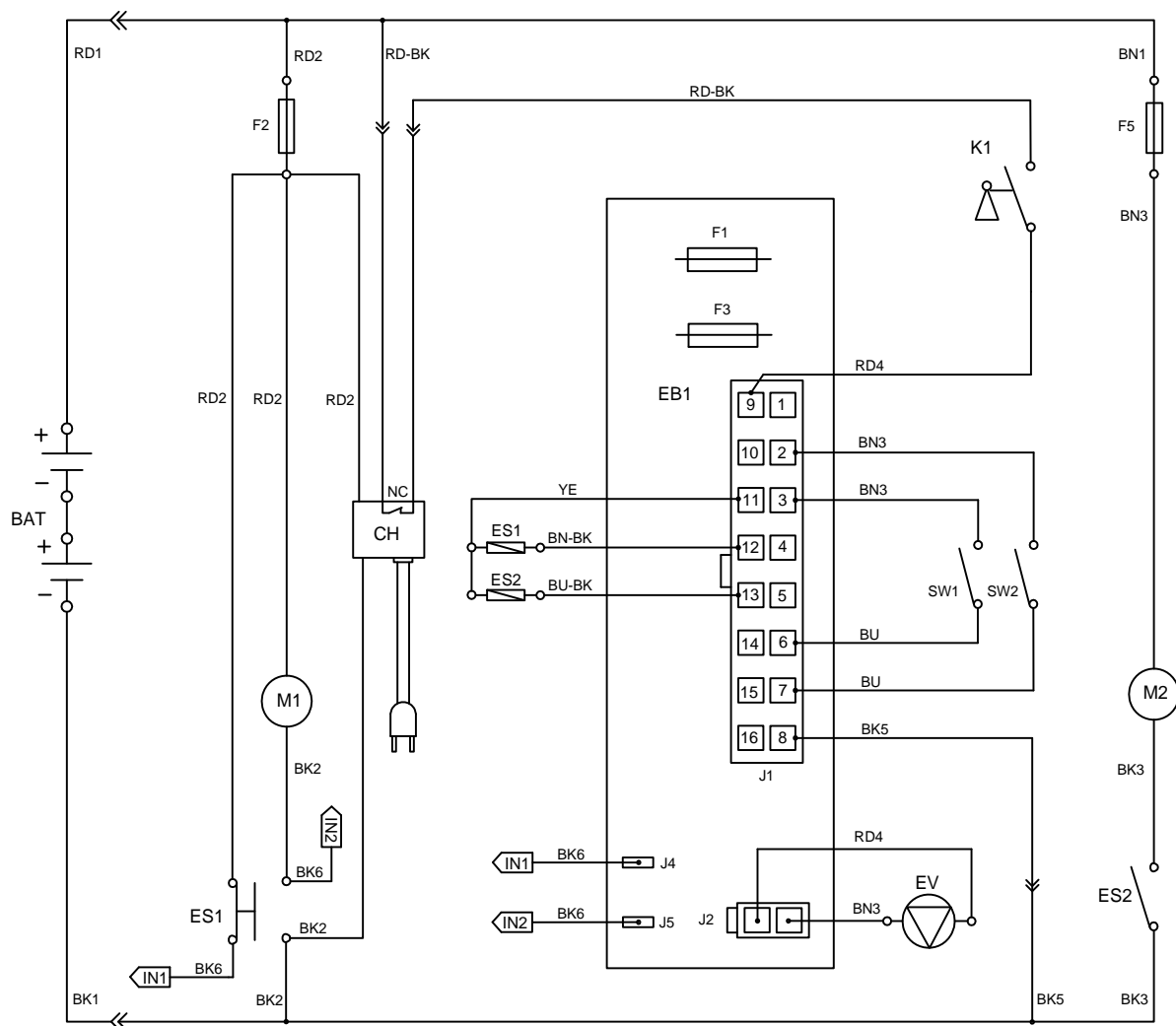
A : ONLY FOR DISC MACHINE WITHOUT TRACTION (AS5160)

B : ONLY FOR DISC MACHINE WITH TRACTION (AS5160T)

C : ONLY FOR ORBITAL MACHINE (AS5160TO)

PARTS LIST

WIRING DIAGRAM (ONLY FOR DISC MACHINE WITHOUT TRACTION)

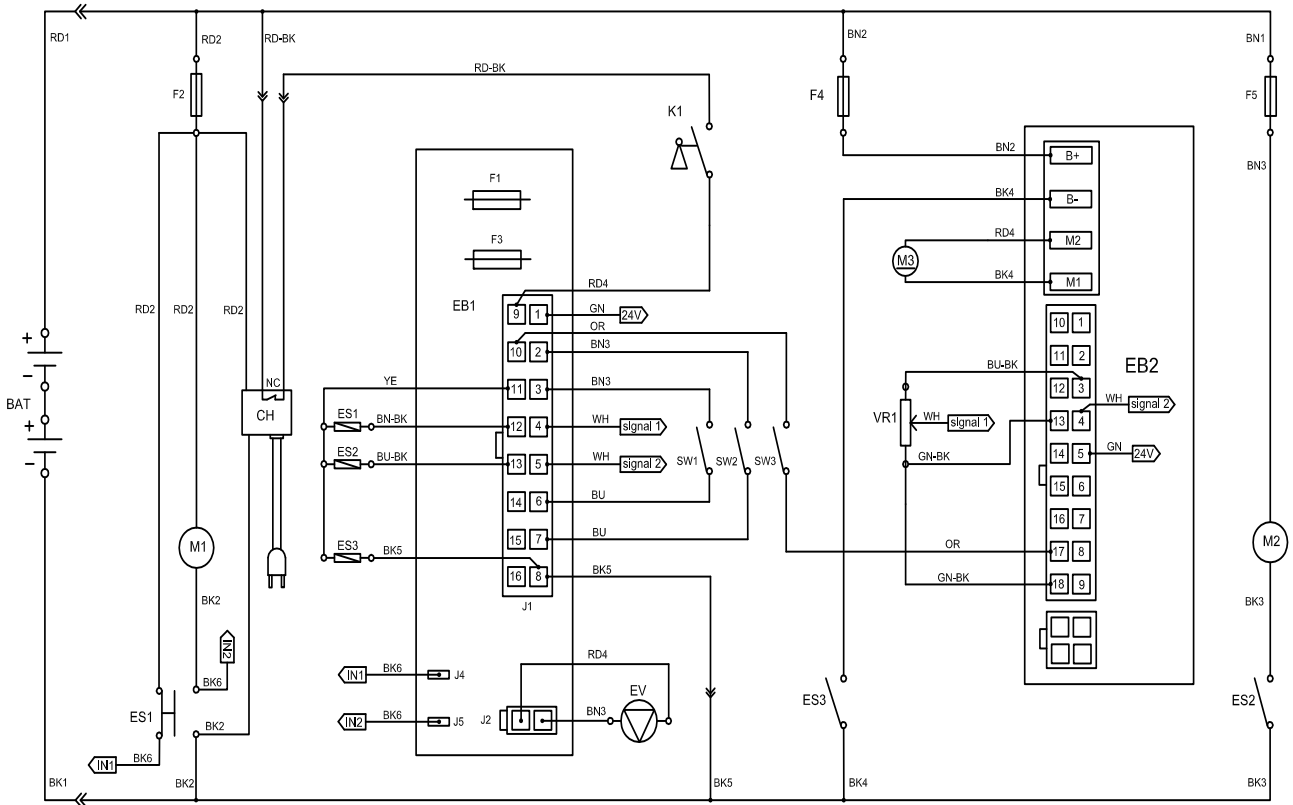


| COMPONENTS | | |
|------------|--------------|---|
| Key | CODE | Description |
| BAT | N/A | 24V BATTERIES |
| CH | VR27041 | BATTERY CHARGER |
| EB1 | VS10203 | CONTROL PANEL BOARD |
| ES1 | 909 5127 000 | ELECTROMAGNETIC SWITCH 24V(BRUSH MOTOR) |
| ES2 | VS10201 | RELAY 24V(VACUUM MOTOR) |
| F1 | VS13208 | LOW POWER CIRCUIT FUSE |
| F2 | ZD48320 | CIRCUIT BREAKER(BRUSH MOTOR) |
| F3 | VS13209 | BRUSH RELEASE FUSE |
| F5 | ZD48320 | CIRCUIT BREAKER(VACUUM MOTOR) |
| K1 | 910 0001 354 | KEY SWITCH |
| M1 | VS10702 | BRUSH MOTOR |
| M2 | VF90520 | VACUUM MOTOR |
| EV | VF90282 | SOLENOID VALVE |
| SW1 | VS10202 | SAFETY SWITCH(BRUSH) |
| SW2 | VS10202 | SAFETY SWITCH(BRUSH) |

| WIRE ROD | |
|----------|-------------------|
| RD1 | RED/6AWG |
| RD2 | RED/10AWG |
| RD4 | RED/20AWG |
| BK1 | BLACK/6AWG |
| BK2 | BLACK/10AWG |
| BK3 | BLACK/12AWG |
| BK5 | BLACK/20AWG |
| BK6 | BLACK/16AWG |
| RD-BK | RED-BLACK/20AWG |
| BN1 | BROWN/12AWG |
| BN3 | BROWN/20AWG |
| BN-BK | BROWN-BLACK/20AWG |
| BU | BLUE/20AWG |
| BU-BK | BLUE-BLACK/20AWG |
| YE | YELLOW/20AWG |
| WH | WHITE/20AWG |

PARTS LIST

WIRING DIAGRAM (ONLY FOR DISC MACHINE WITH TRACTION)

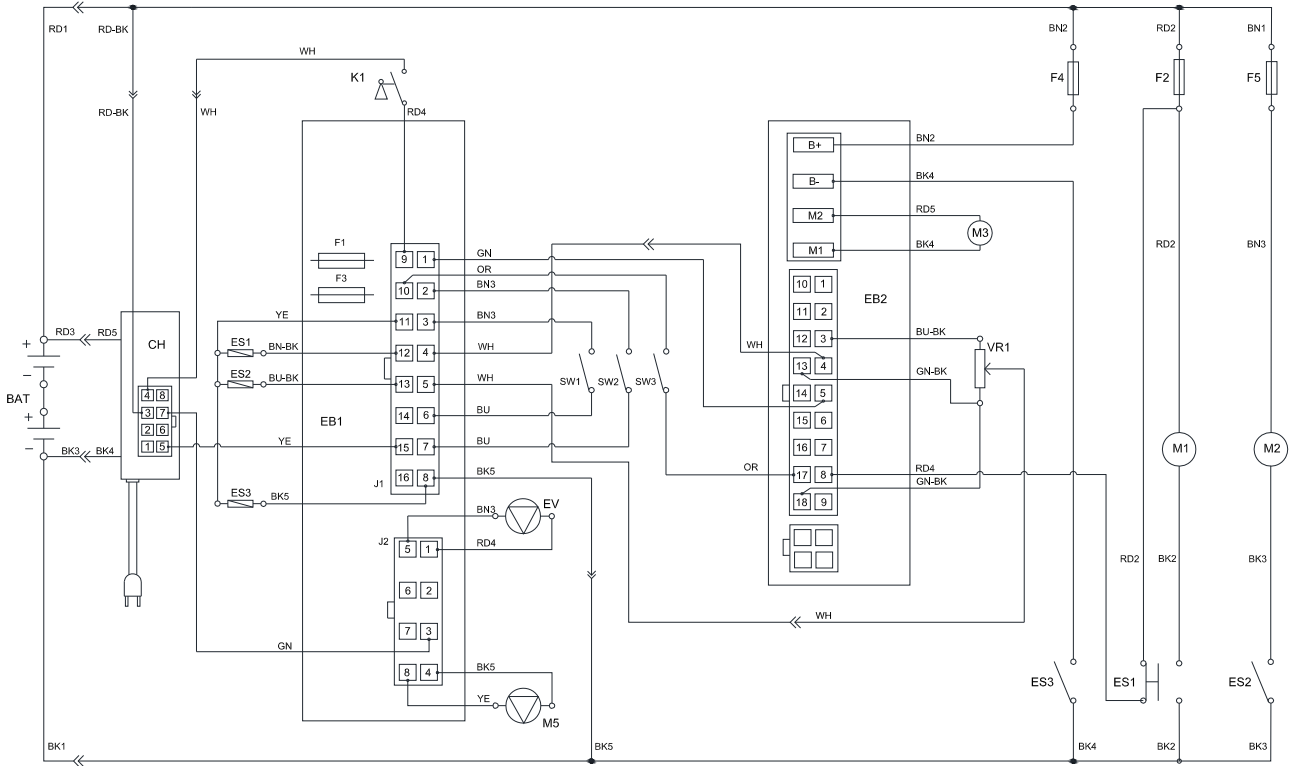


| COMPONENTS | | |
|------------|--------------|---|
| Key | CODE | Description |
| BAT | N/A | 24V BATTERIES |
| CH | VR27041 | BATTERY CHARGER |
| EB1 | VS10203 | CONTROL PANEL BOARD |
| EB2 | VS10209 | ELECTRONIC BOARD(TRACTION SYSTEM) |
| ES1 | 909 5127 000 | ELECTROMAGNETIC SWITCH 24V(BRUSH MOTOR) |
| ES2 | VS10201 | RELAY 24V(VACUUM MOTOR) |
| ES3 | VS10201 | RELAY 24V(TRACTION SYSTEM) |
| F1 | VS13208 | LOW POWER CIRCUIT FUSE |
| F2 | ZD48320 | CIRCUIT BREAKER(BRUSH MOTOR) |
| F3 | VS13209 | BRUSH RELEASE FUSE |
| F4 | VF99012 | CIRCUIT BREAKER(TRACTION SYSTEM) |
| F5 | ZD48320 | CIRCUIT BREAKER(VACUUM MOTOR) |
| K1 | 910 0001 354 | KEY SWITCH |
| M1 | VS10702 | BRUSH MOTOR |
| M2 | VF90520 | VACUUM MOTOR |
| M3 | VS11702 | 150W MOTOR TRACTION |
| EV | VF90282 | SOLENOID VALVE |
| SW1 | VS10202 | SAFETY SWITCH(BRUSH/TRACTION) |
| SW2 | VS10202 | SAFETY SWITCH(BRUSH/TRACTION) |
| SW3 | VS10202 | REVERSING SWITCH |
| VR1 | VS10213 | SPEED POTENTIOMETER |

| WIRE ROD | |
|----------|-------------------|
| RD1 | RED/6AWG |
| RD2 | RED/10AWG |
| RD4 | RED/20AWG |
| BK1 | BLACK/6AWG |
| BK2 | BLACK/10AWG |
| BK3 | BLACK/12AWG |
| BK4 | BLACK/14AWG |
| BK5 | BLACK/20AWG |
| BK6 | BLACK/16AWG |
| RD-BK | RED-BLACK/20AWG |
| GN | GREEN/20AWG |
| GN-BK | GREEN-BLACK/20AWG |
| BN1 | BROWN/12AWG |
| BN2 | BROWN/14AWG |
| BN3 | BROWN/20AWG |
| BN-BK | BROWN-BLACK/20AWG |
| BU | BLUE/20AWG |
| BN-BK | BROWN-BLACK/20AWG |
| OR | ORANGE/20AWG |
| YE | YELLOW/20AWG |
| WH | WHITE/20AWG |

PARTS LIST

WIRING DIAGRAM (ONLY FOR ORBITAL MACHINE)



| COMPONENTS | | |
|------------|--------------|---|
| Key | CODE | Description |
| BAT | N/A | 24V BATTERIES |
| CH | VR27041 | BATTERY CHARGER |
| EB1 | VS10203 | CONTROL PANEL BOARD |
| EB2 | VS10209 | ELECTRONIC BOARD(TRACTION SYSTEM) |
| ES1 | 909 5127 000 | ELECTROMAGNETIC SWITCH 24V(BRUSH MOTOR) |
| ES2 | VS10201 | RELAY 24V(VACUUM MOTOR) |
| ES3 | VS10201 | RELAY 24V(TRACTION SYSTEM) |
| F1 | VS13208 | LOW POWER CIRCUIT FUSE |
| F2 | ZD48320 | CIRCUIT BREAKER(BRUSH MOTOR) |
| F3 | VS13208 | BRUSH LIFT MOTOR FUSE |
| F4 | VF99012 | CIRCUIT BREAKER(TRACTION SYSTEM) |
| F5 | ZD48320 | CIRCUIT BREAKER(VACUUM MOTOR) |
| K1 | 910 0001 354 | KEY SWITCH |
| M1 | VS10706 | ORBITAL MOTOR 750W |
| M2 | VF90520 | VACUUM MOTOR |
| M3 | VS11704 | 250W MOTOR TRACTION |
| EV | VF90282 | SOLENOID VALVE |
| M5 | VS10704 | BRUSH LIFT MOTOR |
| SW1 | VS10202 | SAFETY SWITCH(BRUSH/TRACTION) |
| SW2 | VS10202 | SAFETY SWITCH(BRUSH/TRACTION) |
| SW3 | VS10202 | REVERSING SWITCH |
| VR1 | VS10213 | SPEED POTENTIOMETER |

| WIRE ROD | |
|----------|-------------------|
| RD1 | RED/6AWG |
| RD2 | RED/10AWG |
| RD2 | RED/12AWG |
| RD4 | RED/20AWG |
| RD5 | RED/14AWG |
| BK1 | BLACK/6AWG |
| BK2 | BLACK/10AWG |
| BK3 | BLACK/12AWG |
| BK4 | BLACK/14AWG |
| BK5 | BLACK/20AWG |
| BK6 | BLACK/16AWG |
| RD-BK | RED-BLACK/20AWG |
| GN | GREEN/20AWG |
| GN-BK | GREEN-BLACK/20AWG |
| BN1 | BROWN/12AWG |
| BN2 | BROWN/14AWG |
| BN3 | BROWN/20AWG |
| BN-BK | BROWN-BLACK/20AWG |
| BU | BLUE/20AWG |
| BN-BK | BROWN-BLACK/20AWG |
| OR | ORANGE/20AWG |
| YE | YELLOW/20AWG |
| WH | WHITE/20AWG |



www.vipercleaning.com

