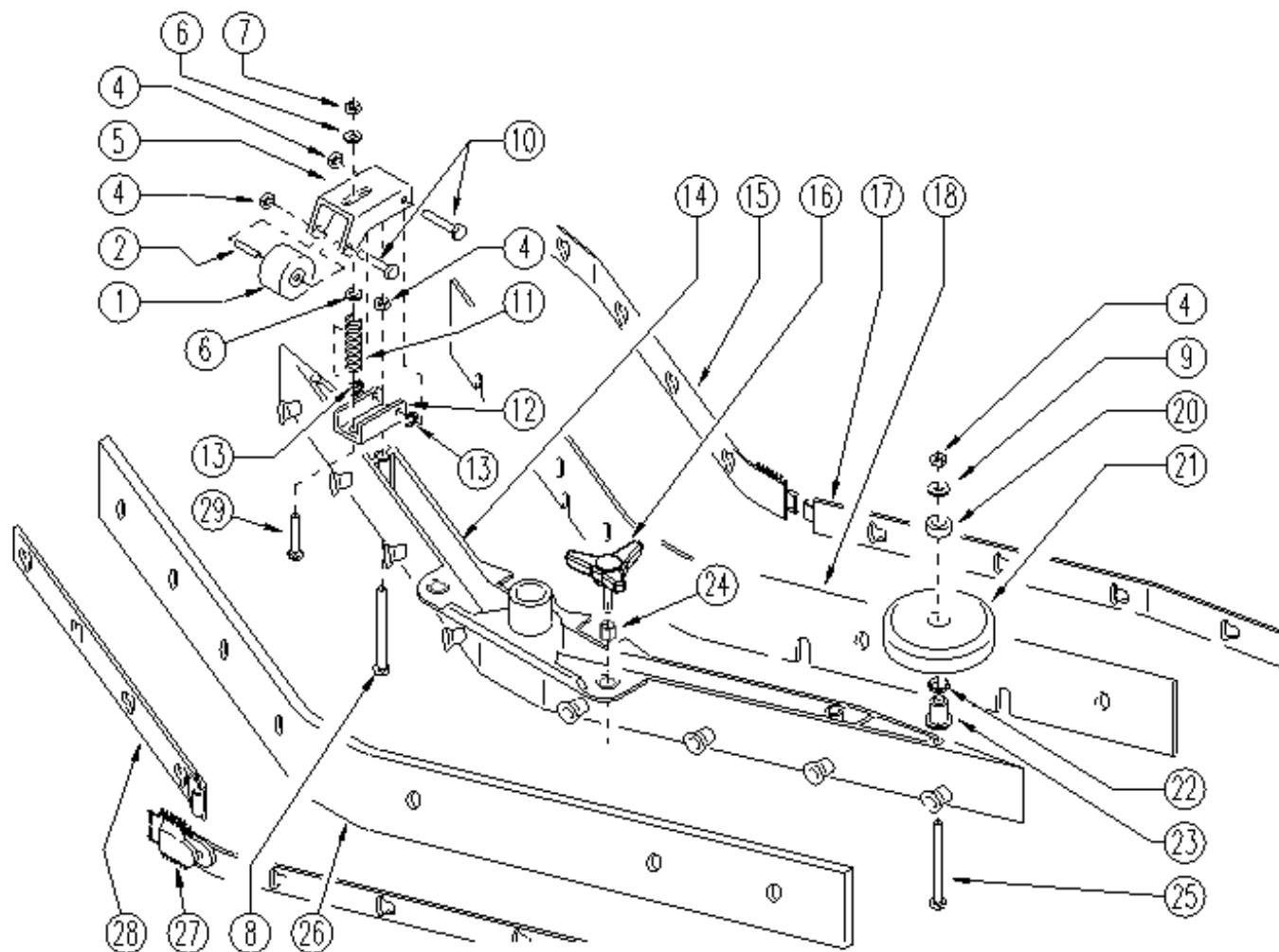


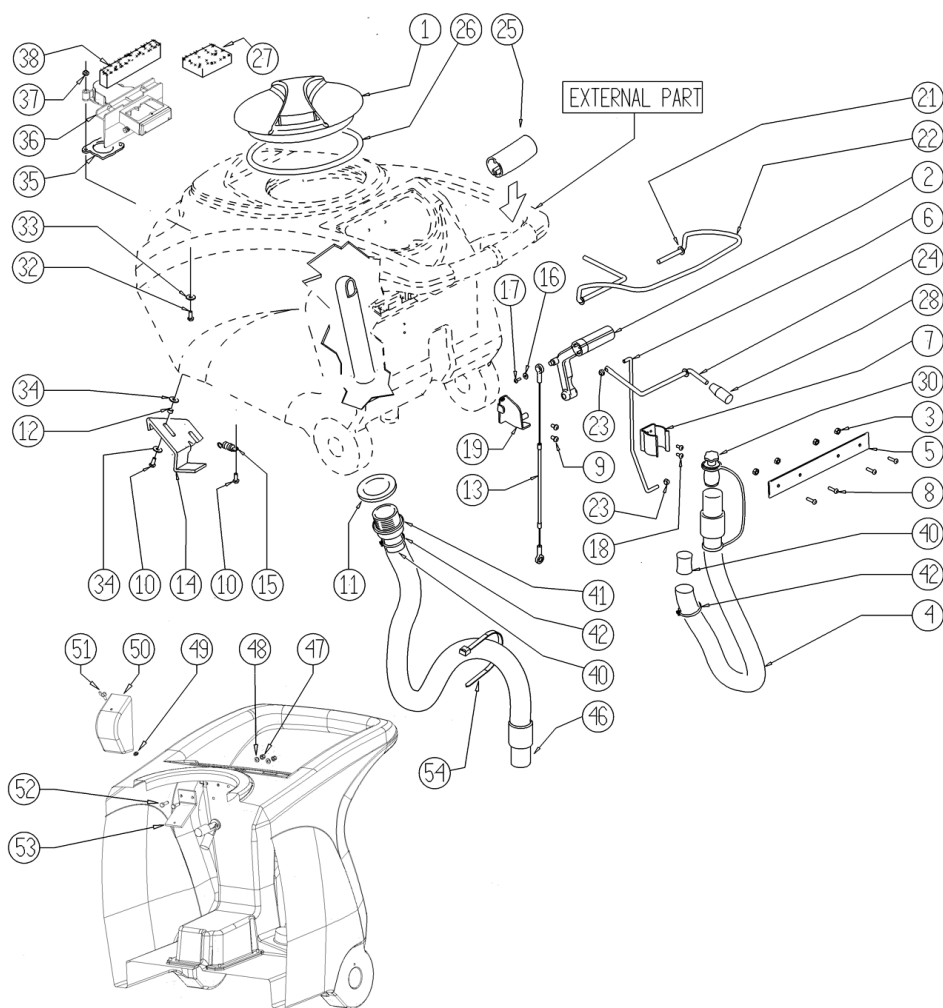


Performer 24 Spare Parts List

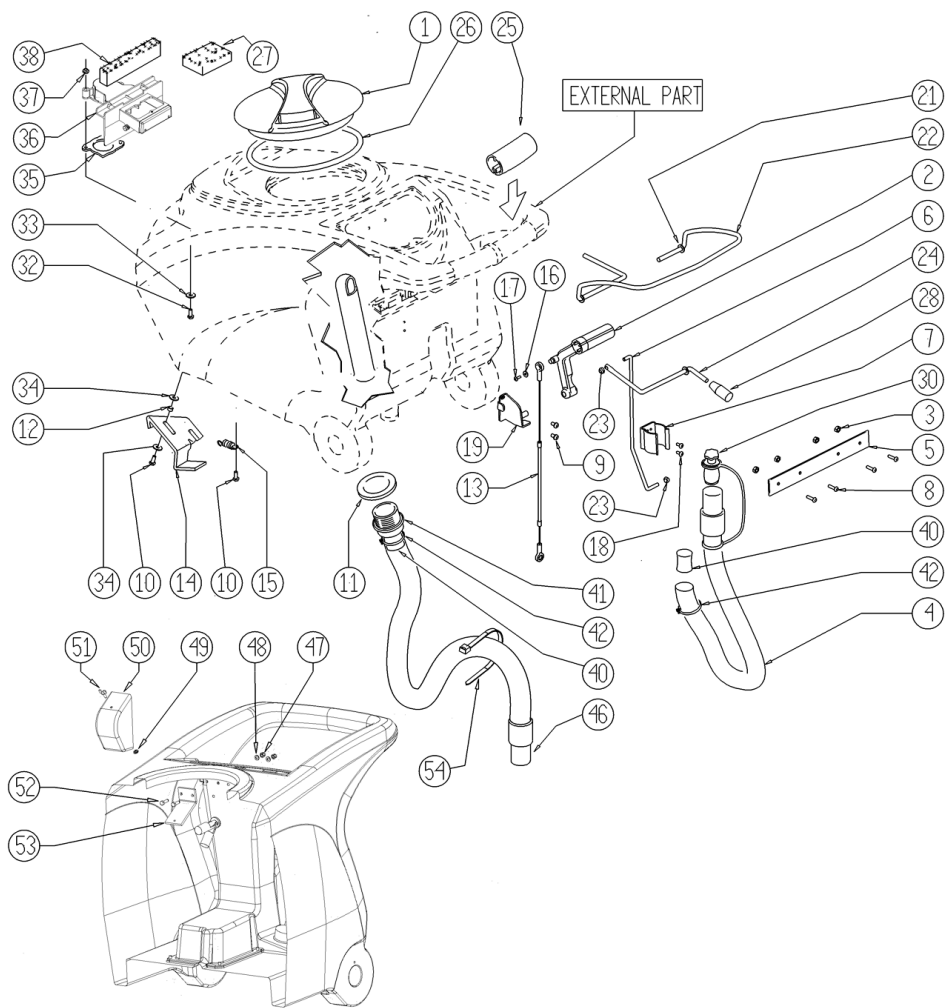
Model: CleanFreak Performer 24



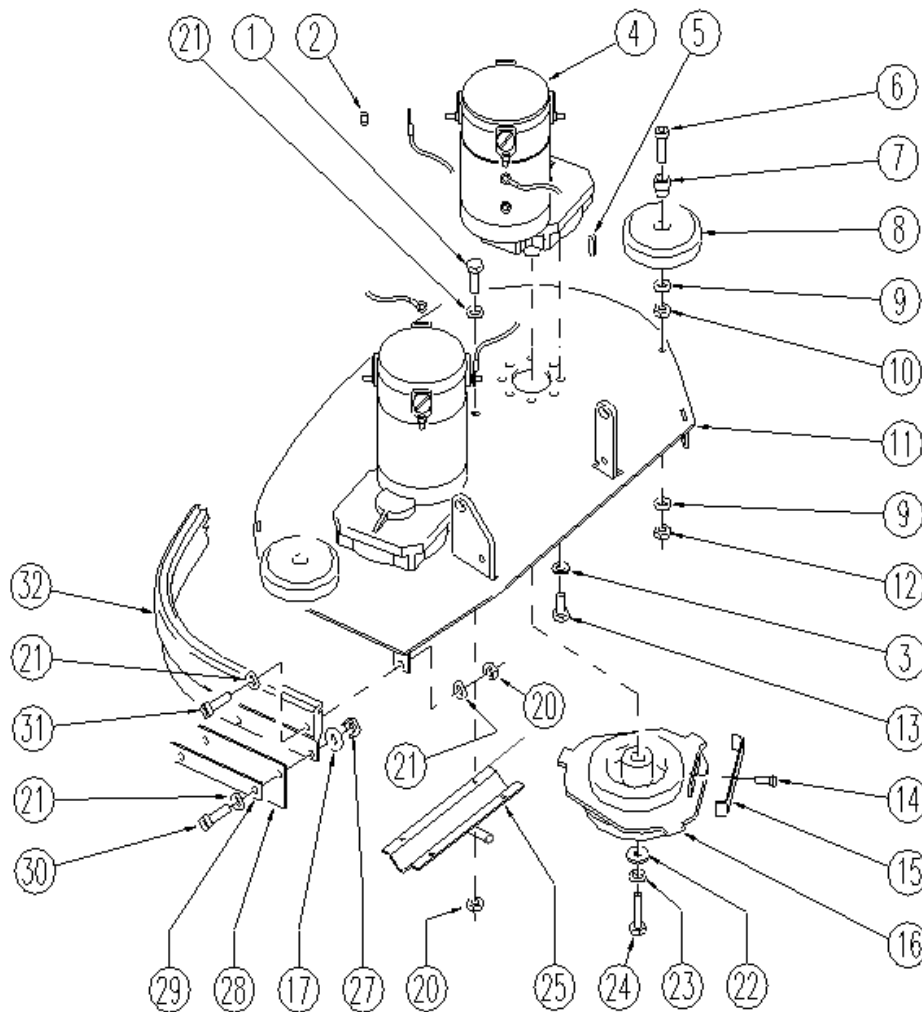
Ref.	K	Part N.	Customer Part N.	Description	Qty	Validity:		Price
						From	To	
0001		RTRT49413		WHEEL D. 60-D.15 X36 NYL.	2,00			--
0002		LAFN04041		SPACER D6/15	2,00			--
0004		VTDD01694		NUT M 6 INX	8,00			--
0005		LAFN05559		SUPPORT RUOTINO	2,00			--
0006		VTRS13947		WASHER D. 8 INX UNI 6592	4,00			--
0007		VTDD01695		NUT M 8 INX	2,00			--
0008		VTVT15142		SCREW TE M 6x45 INOX	2,00			--
0009		VTRS00245		WASHER D.6 UNI 6592 INOX	2,00			--
0010		VTVT15515		SCREW TE M 6X 50 INOX A2	4,00			--
0011		MLML49422		SPRING D.15X 45 X1	2,00			--
0012		LAFN51069		BRACKET SUPP.RUOTINO SQUEEGEE	2,00			--
0013		VTAE45707	#8479.90.9498	CIRCLIP D. 6 UNI 7434 INOX	4,00			--
0014		KTRI02048		BODY SQUEEGEE PRESSOFUSO "S"	1,00			--
0015		LAFN51045		BRACKET S SQUEEGEE BLOCK LEFT	1,00			--
0016		MPVR05265		KNOB 8X25	2,00			--
0017		LAFN51044		LAMINATION BLOCCA LAMA ANTER.DX S	1,00			--
0018		MPVR45194		RUBBER BLADE LAV. 800 ANT.	1,00			--
0020		MPVR49229		BUSHING SHK	2,00			--
0021		MPVR05290		ROLLER PARACOLPI	2,00			--
0022		GUGO00164		GASKET	2,00			--
0023		LAFN04100		SPACER PER RUOTINO PARACOLPI	2,00			--
0024		VTVR00022		INSERT FILETTATO ESAGONALE M8	2,00			--
0025		VTVT17342		SCREW TE M 6X 60 UNI 5739 INX	2,00			--
0026		MPVR45195		RUBBER BLADE LAV. 800 PST.POL.	1,00			--
0027		LAFN49284		BLADE HOLDER POSTERIORE DX (S)	1,00			--
0028		LAFN49285		BLADE HOLDER POSTERIORE SX (S)	1,00			--
0029		VTVT01304		SCREW M 8X 40 TTQST UNI 5731	2,00			--



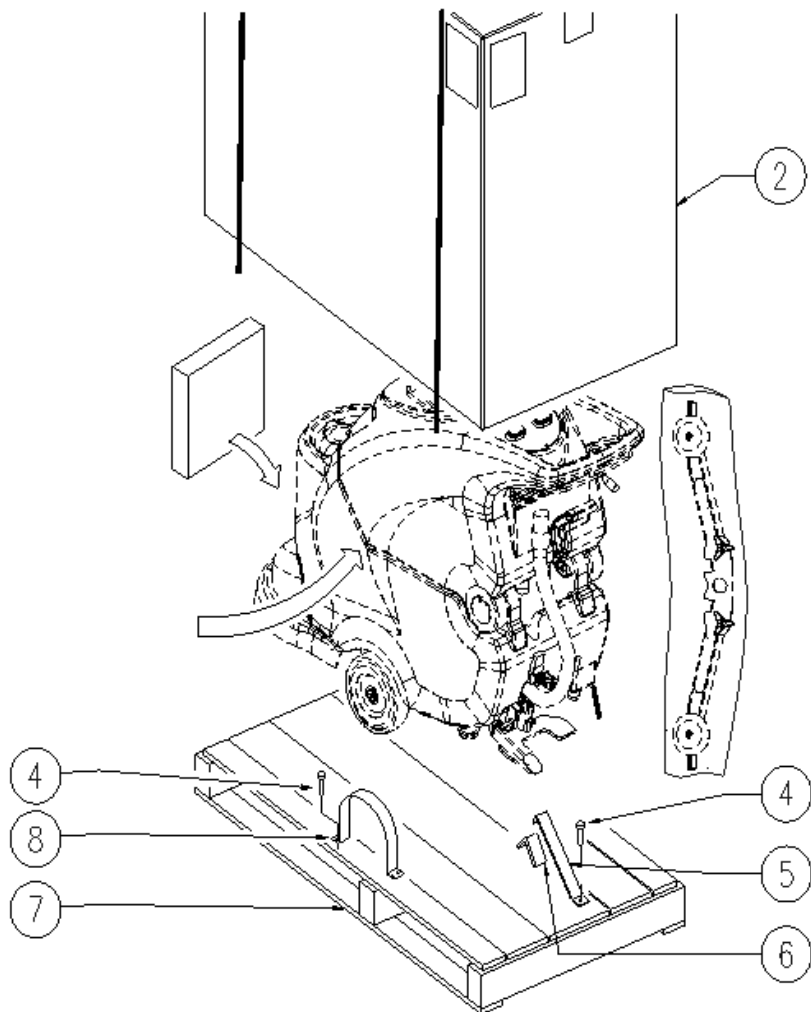
Ref. K	Part N.	Customer Part N.	Description	Qty	Validity:		Price
					From	To	
0001	MPVR04051		TANK CAP	1,00			--
0002	MPVR49942		LEVER SHK PP	1,00			--
0003	VTDD15518		NUT M 6 INX	4,00	04/2009		--
0004	TBBP00405		TUBE SCARICO	1,00		06/2010	--
0004	TBBP00456		TUBE CT40/70	1,00	06/2010	02/2011	--
0004	TBFX00348		TUBE CT40-70-90	1,00	02/2011		--
0005	LAFN05865		PLATE COPRILEVA CONSENSO	1,00			--
0006	LAFN05863	#8479.90.9498	ROD RUBINETTO	1,00			--
0007	MPVR46988		CLIP LAV. SHK	1,00			--
0008	VTVT00651		SCREW TBEI M. 5x16 INOX	4,00	04/2009		--
0008	VTVT07726		SCREW TE 5X20	4,00		04/2009	--
0009	VTVT15906		SCREW TE 6X 12 A2 UNI 5739	2,00			--
0010	VTVT15143		SCREW TE 6X16 UNI5739	3,00			--
0011	GUGO00216		GASKET ACQUA SPORCA	1,00		01/2009	--
0012	LAFN03626		SPACER	2,00			--
0013	CMCV00428		CABLE SQUEEGEE	1,00			--
0014	LAFN06849		HANDLE CT 70	1,00			--
0015	MLML00203		SPRING	1,00			--
0016	VTRS00251		WASHER 4-16 INOX A2	1,00			--
0017	VTVT00800		SCREW TC 4X12 ZN	1,00			--
0018	VTVT21096		SCREW TE M 4X 10 INX	2,00			--
0019	LAFN05870		BRACKET LEVA SOLLEVAM. SQUEEGEE	1,00			--
0021	VTRS13947		WASHER D. 8 INX UNI 6592	2,00			--
0022	LAFN05861		LEVER CONSENSO SPAZZOLE	1,00			--
0023	VTDD01694		NUT M 6 INX	2,00			--
0024	LAFN05908		ROD COMANDO RUBINETTO	1,00			--
0025	MPVR05215		KNOB -	2,00			--
0026	GUGO00263		GASKET CIRCOLARE TAPPO	1,00			--
0027	FTDP00133		FILTER	1,00			--
0028	MPVR04146		KNOB IN PVC MOD. 1001 FORO D.6	1,00			--
0030	MPVR05064		CAP COMPLETO	1,00		06/2010	--
0032	VTVT01139		SCREW TE M.4-25	2,00			--
0033	VTRS00515		WASHER D. 4 INX	2,00			--
0034	VTRS00274		WASHER NYLON 66 D.8,4-17-2 UNI	4,00			--
0035	GUGO00417		GASKET SCATOLA ASPIRAZIONE	1,00			--
0036	FTDP00185		BOX ASPIRAZIONE	1,00		01/2009	--
0036	MPVR05482		BOX -	1,00	01/2009		--
0037	VTDD15925		NUT M 4 INX	2,00			--
0038	GUGO00418		GASKET CONDOTTO ASPIRAZIONE	1,00			--



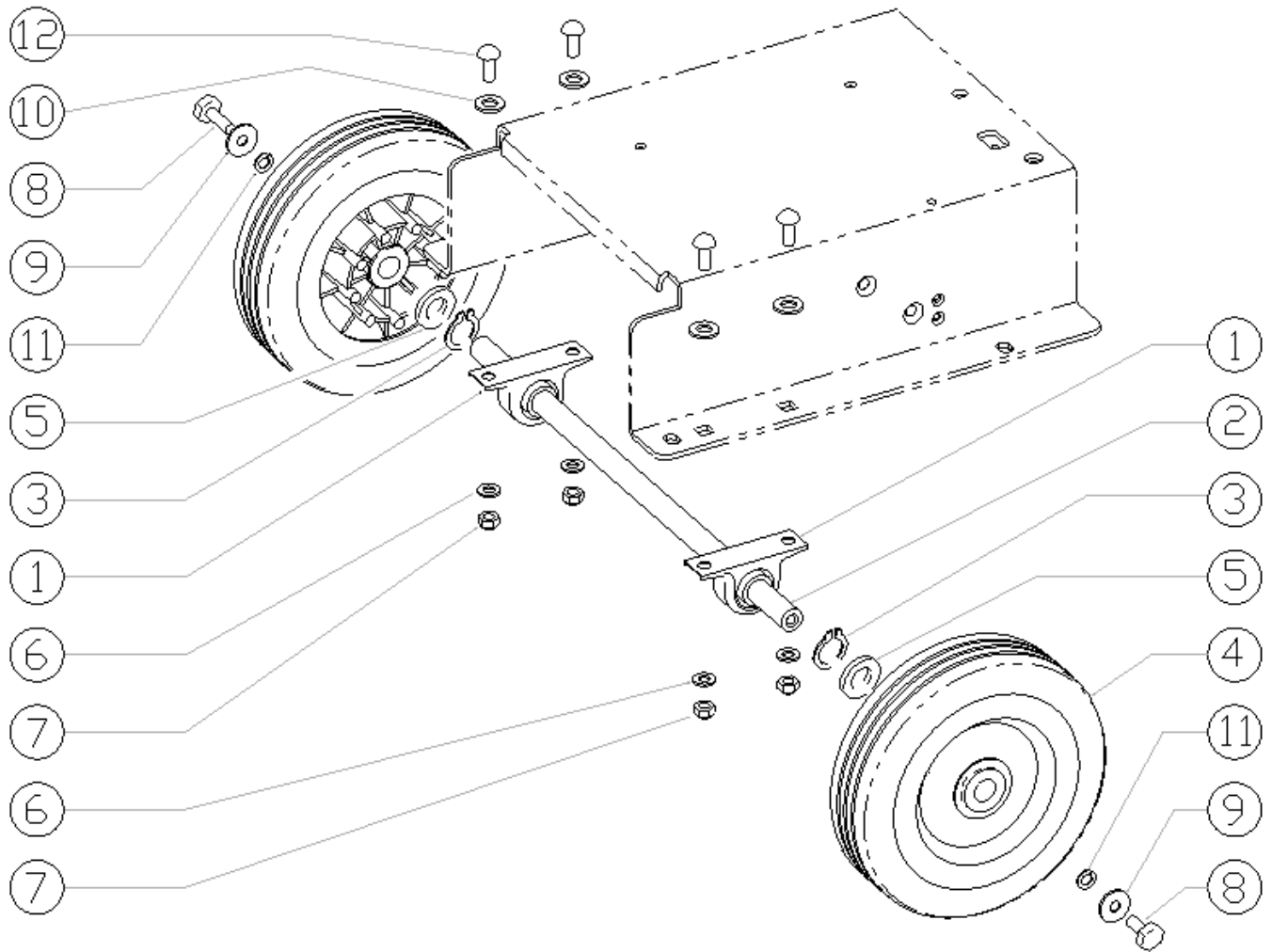
Ref. K	Part N.	Customer Part N.	Description	Qty	Validity:		Price
					From	To	
0040	GUGO00245		GASKET	1,00			--
0041	RCVR00586		CONNECTOR 1/4	1,00		01/2009	--
0042	FSVR43136		CLAMP D. 35-40 DF.	2,00		01/2009	--
0046	TBBP00407		TUBE L=990 d.i.350	1,00		01/2009	--
0046	TBBP00453		TUBE TERGI D.40	1,00	02/2009	10/2010	--
0046	TBFX00337		TUBE L=1100	1,00	10/2010		--
0047	VTDD01693		NUT M 5 INX	2,00	04/2009		--
0048	VTRS00516		WASHER D. 5 INX	2,00	04/2009		--
0049	VTVR01038		WASHER -	1,00	04/2009		--
0050	MPVR05596		PROTECTION -	1,00	04/2009		--
0051	VTVT01150		SCREW 4x10	1,00	04/2009		--
0052	VTVT07725		SCREW TE 5X16 UNI5739 INX	2,00	04/2009		--
0053	LAFN07631		BRACKET -	1,00	04/2009		--
0054	FSVR00248		CLAMP -	1,00	10/2010		--



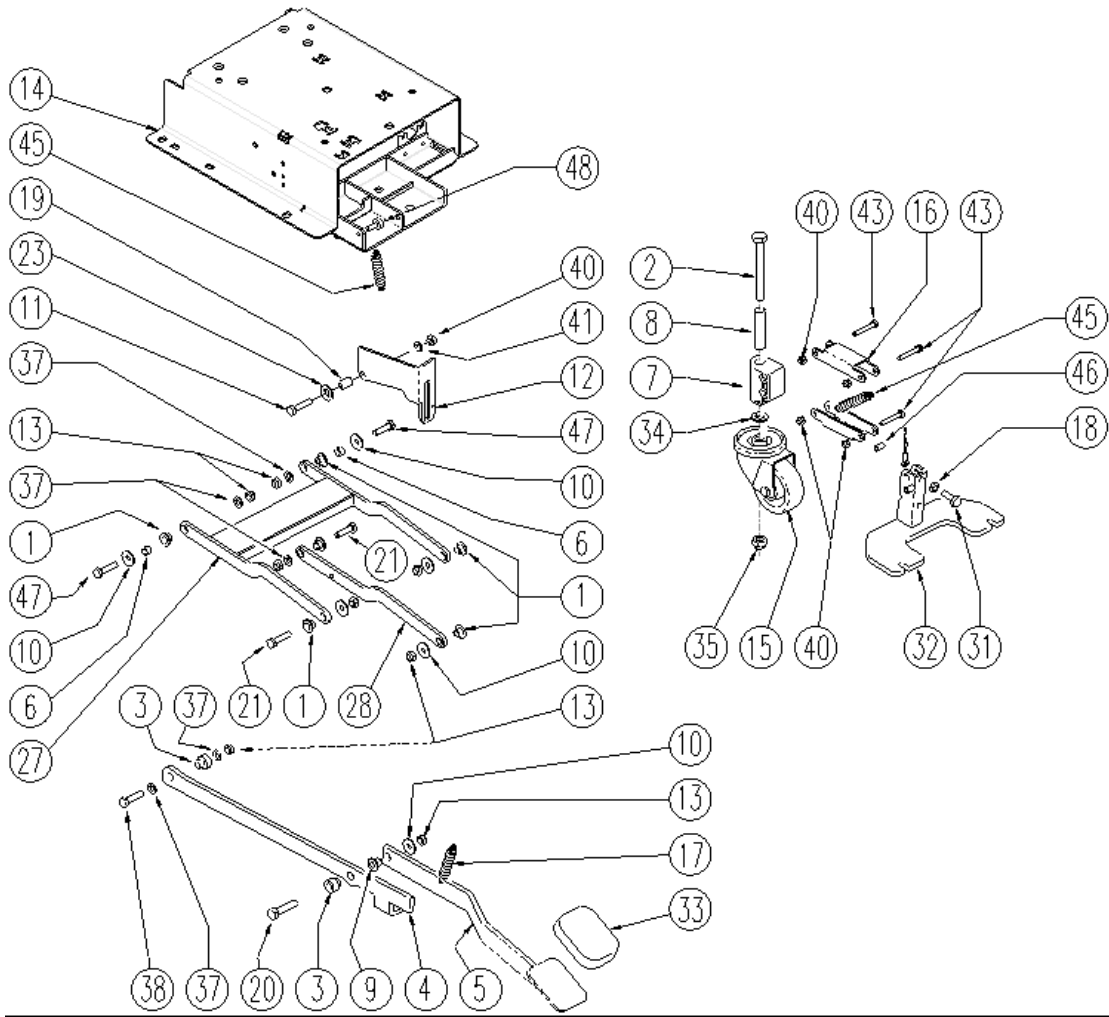
Ref.	K	Part N.	Customer Part N.	Description	Qty	Validity:		Price
						From	To	
0001		VTVT15143		SCREW TE 6X16 UNI5739	4,00			--
0002		VTDD13942		NUT M 6 UNI 5587 INX	4,00			--
0003		VTRS15144		WASHER D. 6 INX GRW UNI 1751	18,00			--
0004		MOCC00315		MOTOR MRP6 1/10 210G/ 24V W300	2,00		06/2008	--
0004		MOCC00328		MOTOR -	2,00	06/2008		--
0004		MOCC00344		BRUSH -	4,00			--
0005		VTVR21944		KEY 6X6X30	2,00			--
0006		VTVT00775		SCREW TCEI M 8X40 ZC.BK UNI5931	2,00		06/2009	--
0006		VTVT06241		SCREW 8X40	2,00	06/2009		--
0007		LAFN03915		BUSHING NUOVO RUOTINO STRONG	2,00			--
0008		MPVR05290		ROLLER PARACOLPI	2,00	04/2008		--
0008		RTRT43370		CASTER D.100 2V.	2,00		04/2008	--
0009		VTRS13947		WASHER D. 8 INX UNI 6592	4,00			--
0010		VTDD15521		NUT M 8 INX A2 UNI 5588	2,00			--
0011		LAFN06726		PLATE TESTATA 60	1,00	05/2008		--
0011		LAFN09087		HEAD 60	1,00		05/2008	--
0012		VTDD01695		NUT M 8 INX	2,00			--
0013		VTVT15906		SCREW TE 6X 12 A2 UNI 5739	14,00			--
0014		VTVT21887		SCREW TCB-TC 4X10 8112	2,00			--
0015		MLML00230		SPRING ANTISGANCIO 70 X FLANGIA	2,00		09/2007	--
0015		MLML00231		SPRING ANTISGANCIO 85 X FLANGIA	2,00	09/2007		--
0016		MFVR00212		DRIVE DISK	2,00			--
0017		MPVR35582		RUBBER LAV.	8,00			--
0020		VTDD01694		NUT M 6 INX	7,00			--
0021		VTRS13945		WASHER D. 6X18 INX UNI 6593	18,00			--
0022		VTRS13946		WASHER D. 8 X24 INX UNI 6593	2,00			--
0023		VTRS15146		WASHER D. 8 INX GRW UNI 1751	2,00			--
0024		VTVT13938		SCREW TE 8X20 UNI5739 INX	2,00			--
0025		LAFN07235		DISTRIBUTOR 60	1,00			--
0027		VTDD00175		NUT M.6 TONDO FILET.4 PUNTE	8,00			--
0028		MPVR04746		FLAP 355X63 sp.4	2,00			--
0029		MPVR05207		SHEET METAL PA.FLAP	2,00			--
0030		VTVT15143		SCREW TE 6X16 UNI5739	8,00			--
0031		VTVT00392		SCREW M6x35 UNI5739 inox	3,00			--
0032		MPVR05231		BUMPER -	1,00			--



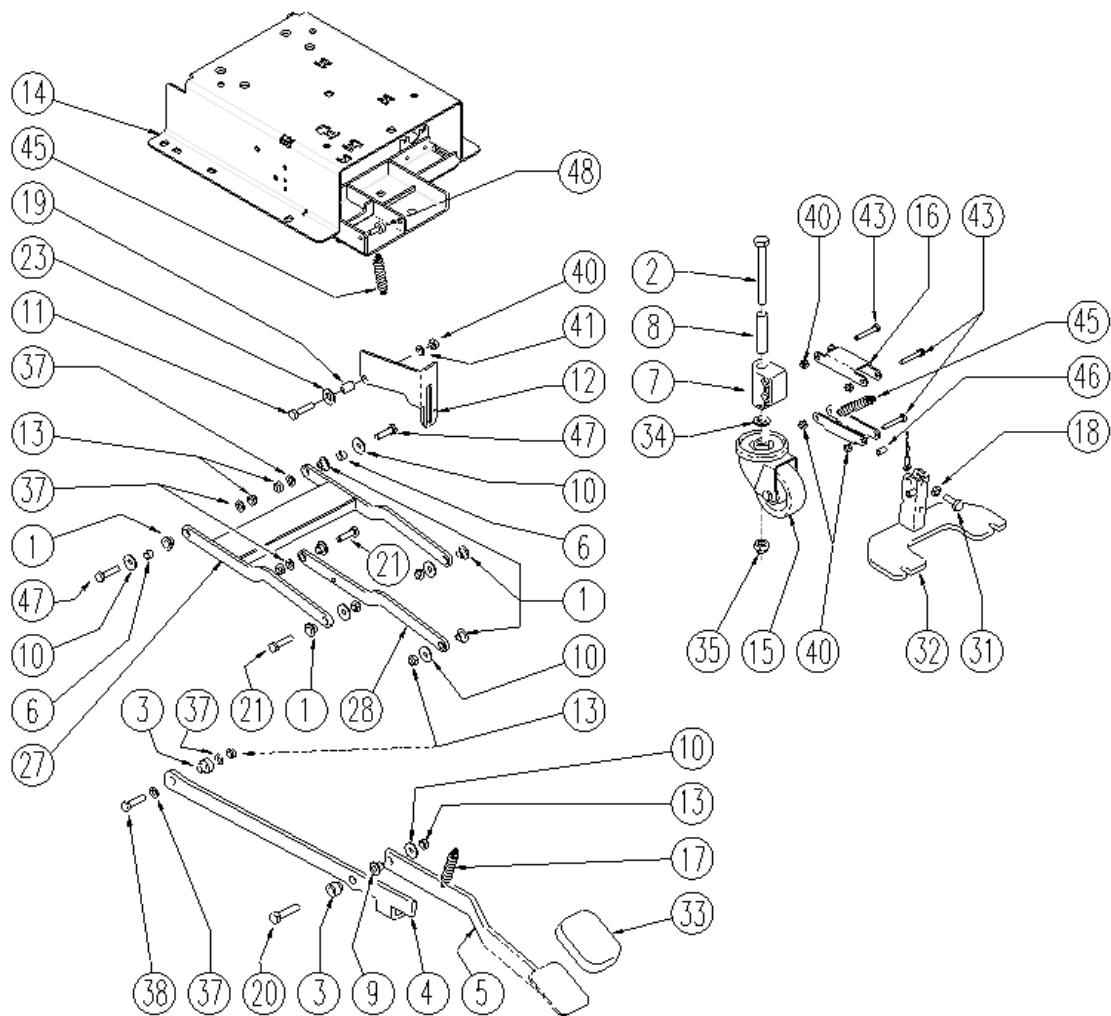
Ref.	K	Part N.	Customer Part N.	Description	Qty	Validity:		Price
						From	To	
0002		MICT00196		BOX	1,00			--
0004		VTVT00043		SCREW AUTOF.LEGNO 4,5X25 TS BR	9,00			--
0005		MIVR00137		CLAMP RUOTA POSTERIORE X IMBAL.	1,00			--
0006		GUGO00009		MOUSSE	0,05			--
0007		MIBA00054		PALLET Scrubber 40/62B/BF/A	1,00			--
0008		MIVR00135		CLAMP RUOTA POSTERIORE X IMBAL.	2,00			--



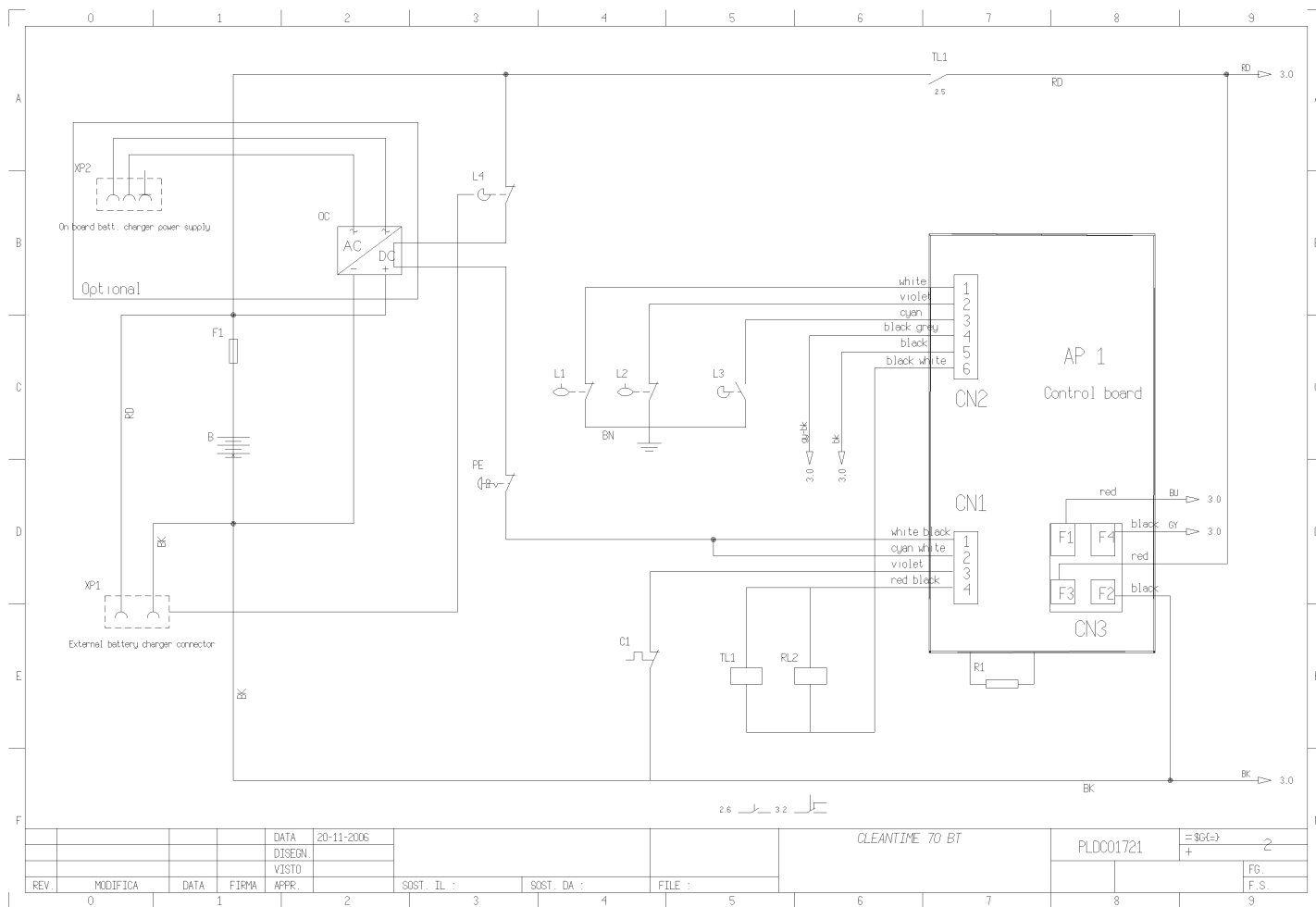
Ref.	K	Part N.	Customer Part N.	Description	Qty	Validity:		Price
						From	To	
0001		CUVR49833		BALL BEARING SBPP 203	2,00			--
0002		ALTR00075		SHAFT	1,00		04/2010	--
0002		ALTR00089		AXLE	1,00	04/2010		--
0003		VTAE00065		RING D17 UNI7435 INOX	2,00			--
0004		RTRT00366		WHEEL D200 X CLT 40	2,00			--
0005		VTRS21763		WASHER D.17	2,00			--
0006		VTRS13947		WASHER D. 8 INX UNI 6592	4,00			--
0007		VTDD01695		NUT M 8 INX	4,00			--
0008		VTVT15916		SCREW TE M 8X 16 UNI 5739 A2	2,00			--
0009		VTRS13946		WASHER D. 8 X24 INX UNI 6593	2,00			--
0010		VTRS15978		WASHER D.12X24 UNI 6592 INX	4,00			--
0011		VTRS15146		WASHER D. 8 INX GRW UNI 1751	2,00			--
0012		VTVT00842		SCREW	4,00			--



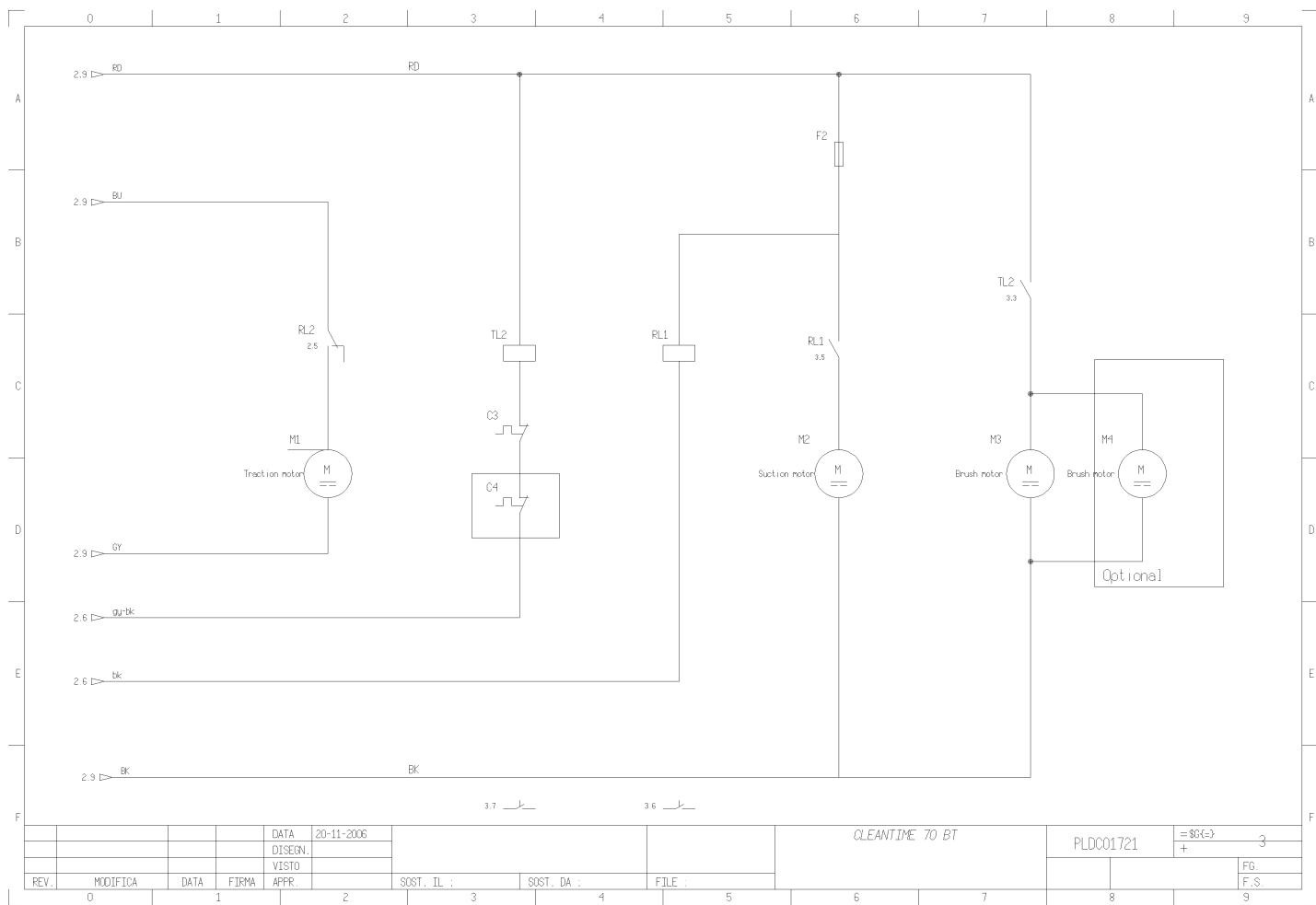
Ref.	K	Part N.	Customer Part N.	Description	Qty	Validity:		Price
						From	To	
0001		LAFN06391		BUSHING PARALLELOGRAMMA	6,00			--
0002		VTVT24212		SCREW TE M 12X100 UNI 5737 INOX	1,00			--
0003		LAFN04190		BUSHING PARALLELOGR.TEST.GR.	2,00			--
0004		LAFN07593		BRACKET -	1,00	06/2010		--
0004		LAFN09091		LEVER SOLLEVAMENTO	1,00		05/2010	--
0005		LAFN07602		LEVER -	1,00			--
0006		RCDS34717		BUSHING D. 9X12X 8.3	2,00			--
0007		MPVR04734		BLOCK TERGI	1,00			--
0008		LAFN04188		PIN ROTAZIONE SQUEEGEE	1,00			--
0009		LAFN51068	#8479.90.9498	BUSHING LEVA POSTER.	1,00			--
0010		VTRS13946		WASHER D. 8 X24 INX UNI 6593	6,00			--
0011		VTVT00161		SCREW TE M6X20	1,00			--
0012		LAFN10124		PLATE -	1,00			--
0013		VTDD01695		NUT M 8 INX	8,00			--
0014		LAFN07606		BASE -	1,00			--
0015		RTRT00518		WHEEL D.80	1,00			--
0016		LAFN05853		LEVER ARM SOLLEVAMENTO TERGI	2,00			--
0017		MLML34726		SPRING TR E350 N	1,00			--
0018		VTDD15521		NUT M 8 INX A2 UNI 5588	2,00			--
0019		LAFN03840		BUSHING -	1,00			--
0020		VTVT15917		SCREW TE M 8X50 INOX A2 UNI	1,00			--
0021		VTVT15907		SCREW TE 8X25 UNI5739 INX	3,00			--
0023		VTRS00274		WASHER NYLON 66 D.8,4-17-2 UNI	1,00			--
0026		VTDD15925		NUT M 4 INX	1,00			--
0027		LAFN07563		ARM -	1,00			--
0028		LAFN06389		ARM PARALLELOGRAMMA	1,00			--
0031		VTVT00410		SCREW TE M8x35 UNI5739 INOX	1,00	04/2011		--
0031		VTVT13937		SCREW TE M 8X 30 INX UNI 5739	1,00		04/2011	--
0032		LAFN06355		PLATE SQUEEGEE	1,00		04/2009	--
0032		LAFN07560		PLATE -	1,00	04/2009		--
0033		MPVR05186		COVER -	1,00			--
0034		VTRS00312		WASHER D.13 x24 INOX	1,00			--
0035		VTDD00176		NUT M.12 INOX A2 BASSO AUTOB.	1,00			--
0037		VTRS13947		WASHER D. 8 INX UNI 6592	4,00			--
0038		VTVT00429		SCREW TE M 8X 40 INX UNI 5737	1,00			--
0040		VTDD01694		NUT M 6 INX	5,00			--
0041		VTRS00245		WASHER D.6 UNI 6592 INOX	1,00			--
0043		VTVT01683		SCREW TE 6X40	4,00			--
0045		MLML00303		SPRING REGISTRAZIONE FLAP	1,00			--



Ref. K	Part N.	Customer Part N.	Description	Qty	Validity:		Price
					From	To	
0046	LAFN06898		SPACER 6-8 h15	1,00			--
0047	VTVT13937		SCREW TE M 8X 30 INX UNI 5739	2,00			--
0048	MPVR75799		FOOT 20x9 M 6x18	1,00			--



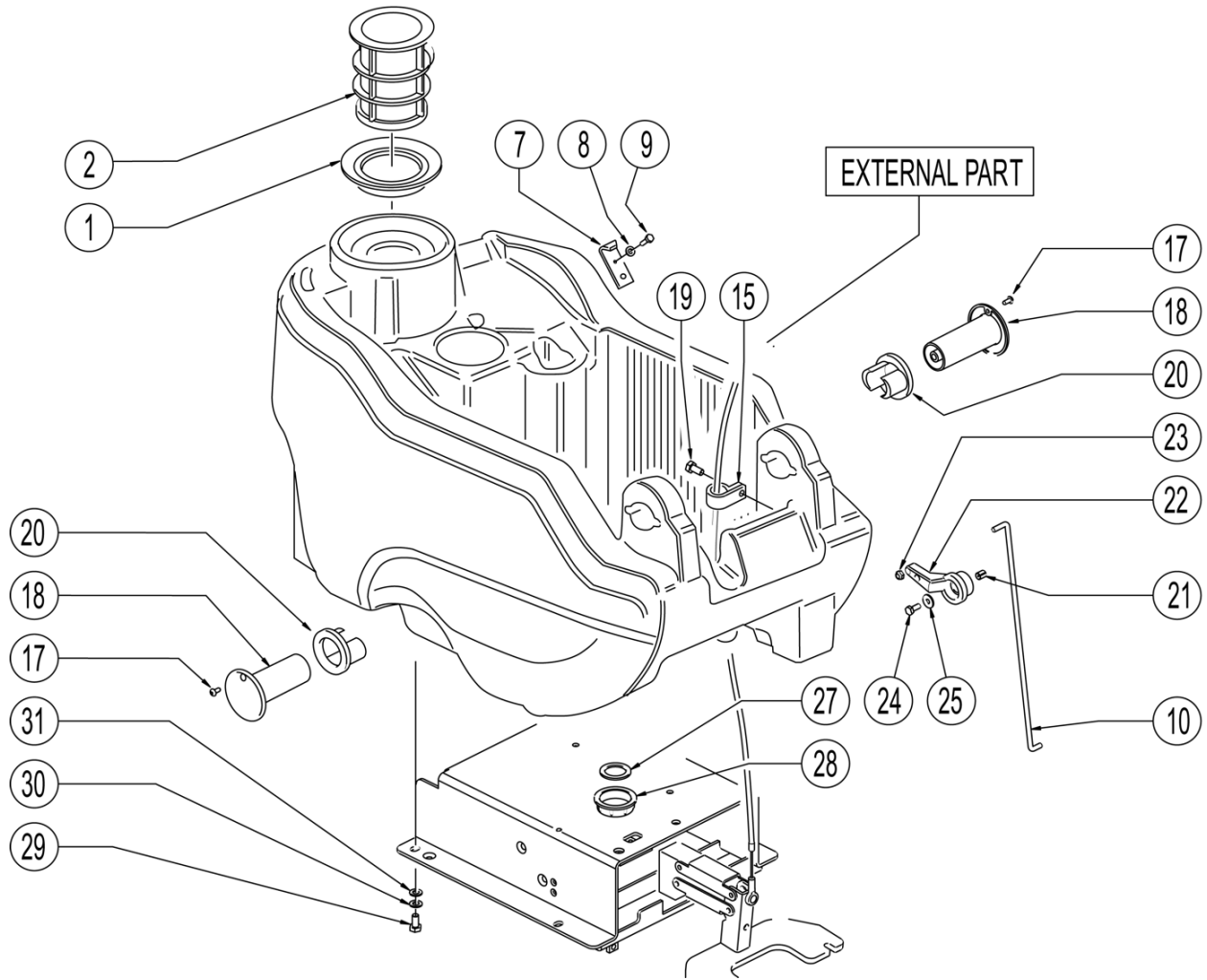
Ref.	K	Part N.	Customer Part N.	Description	Qty	Validity:	From	To	Price
AP1		MECE00435		BOARD CT40 TRAZIONATA	1,00			10/2008	--
AP1		MECE00465		BOARD CT40-70-90	1,00		10/2008		--
F1		MEVR01332		FUSE-HOLDER	1,00			07/2009	--
F1		MEVR31036		FUSE-HOLDER	1,00		07/2009		--
F2		MEVR01332		FUSE-HOLDER	1,00			07/2009	--
F2		MEVR31036		FUSE-HOLDER	1,00		07/2009		--
L1		MECI00516		SENSOR DI LIVELLO ORIZZONTALE	1,00				--
L2		MECI00516		SENSOR DI LIVELLO ORIZZONTALE	1,00				--
L3		MECI36393		MICROSWITCH TRZ. DRW	1,00				--
L4		MECI00334		MICROSWITCH V4	1,00				--
M1		MOCC00301		MOTOR AOMPDI 24V 165W 130G	1,00				--
M2		MOCC00253		MOTOR ASPIR.BIST.24V	1,00			11/2008	--
M2		MOCC00349		MOTOR ASPIR.BIST.24V	1,00		11/2008		--
M3		MOCC00315		MOTOR MRP6 1/10 210G/ 24V W300	1,00				--
M4		MOCC00315		MOTOR MRP6 1/10 210G/ 24V W300	1,00				--
PE		MECI00402		BUTTON A FUNGO	1,00				--
PE		MECI00403		CONTACT -	1,00				--
RL1		MECE00139		RELAY POTENZA 24V	1,00				--
RL2		MECI00005		RELAY 24V 10/20A	1,00				--
TL1		METT45116	#8479.90.9498	CONTACTOR 24V T106 P	1,00				--
TL2		METT45116	#8479.90.9498	CONTACTOR 24V T106 P	1,00				--



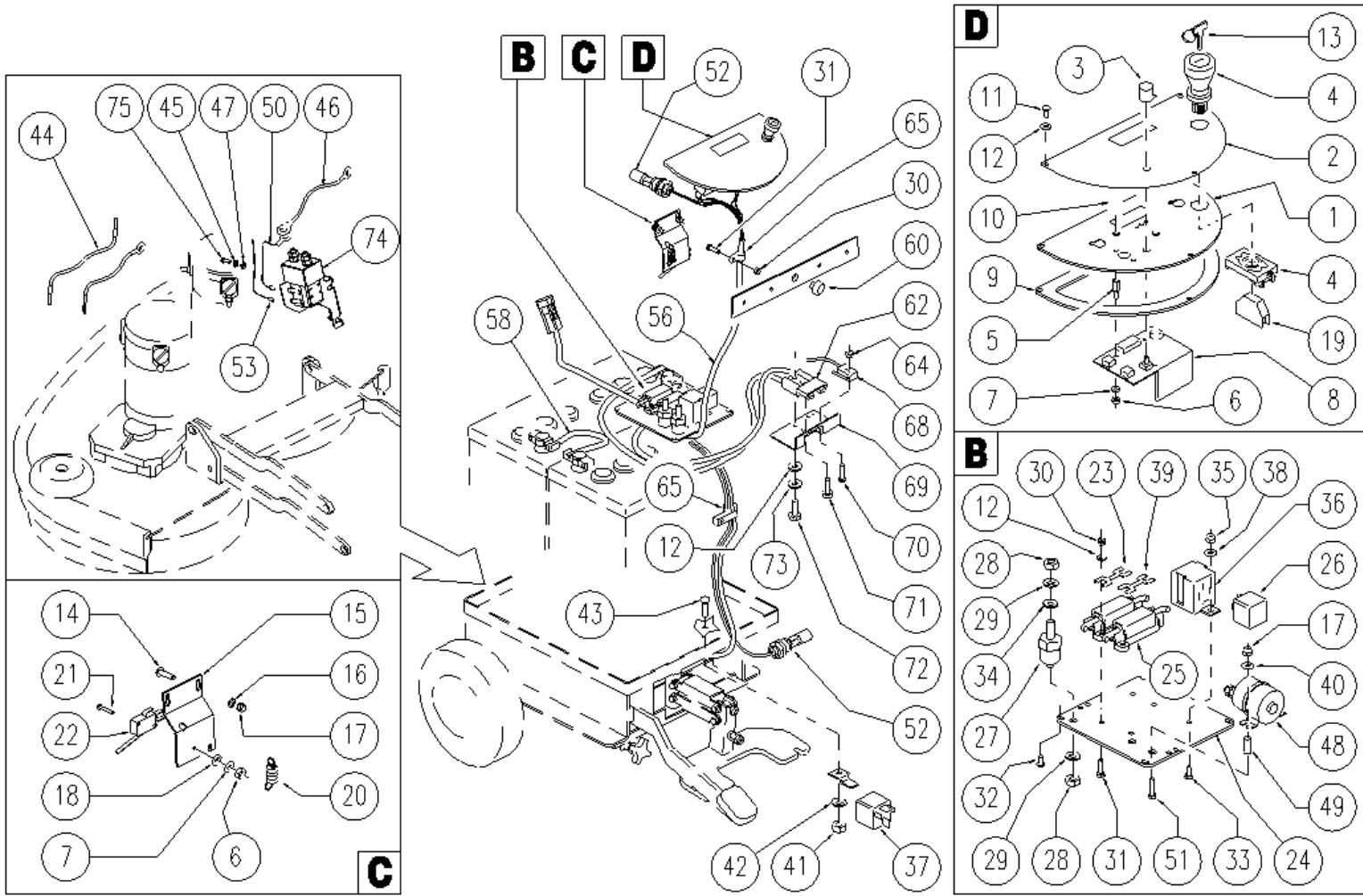
Ref.	K	Part N.	Customer Part N.	Description	Qty	Validity: From	To	Price
AP1		MECE00435		BOARD CT40 TRAZIONATA	1,00		10/2008	--
AP1		MECE00465		BOARD CT40-70-90	1,00	10/2008		--
F1		MEVR01332		FUSE-HOLDER	1,00		07/2009	--
F1		MEVR31036		FUSE-HOLDER	1,00	07/2009		--
F2		MEVR01332		FUSE-HOLDER	1,00		07/2009	--
F2		MEVR31036		FUSE-HOLDER	1,00	07/2009		--
L1		MECI00516		SENSOR DI LIVELLO ORIZZONTALE	1,00			--
L2		MECI00516		SENSOR DI LIVELLO ORIZZONTALE	1,00			--
L3		MECI36393		MICROSWITCH TRZ. DRW	1,00			--
L4		MECI00334		MICROSWITCH V4	1,00			--
M1		MOCC00301		MOTOR AOMPDI 24V 165W 130G	1,00			--
M2		MOCC00253		MOTOR ASPIR.BIST.24V	1,00		11/2008	--
M2		MOCC00349		MOTOR ASPIR.BIST.24V	1,00	11/2008		--
M3		MOCC00315		MOTOR MRP6 1/10 210G/ 24V W300	1,00			--
M4		MOCC00315		MOTOR MRP6 1/10 210G/ 24V W300	1,00			--
PE		MECI00402		BUTTON A FUNGO	1,00			--
PE		MECI00403		CONTACT -	1,00			--
RL1		MECE00139		RELAY POTENZA 24V	1,00			--
RL2		MECI00005		RELAY 24V 10/20A	1,00			--
TL1		METT45116	#8479.90.9498	CONTACTOR 24V T106 P	1,00			--
TL2		METT45116	#8479.90.9498	CONTACTOR 24V T106 P	1,00			--

0	1	2	3	4	5	6	7	8	9																																																																													
<table border="1"> <thead> <tr> <th>Sim.\Sym.</th> <th>Sigla\Item</th> <th>Funzione\Use Type</th> </tr> </thead> <tbody> <tr> <td></td> <td>B =0G 2</td> <td>24V battery</td> </tr> <tr> <td></td> <td>C1 =0G 2</td> <td>Termical control traction motor</td> </tr> <tr> <td></td> <td>C3 =0G 3</td> <td>Termical control brush motor</td> </tr> <tr> <td></td> <td>C4 =0G 3</td> <td>Termical control optional brush motor</td> </tr> <tr> <td></td> <td>F1 =0G 2</td> <td>Main Fuse</td> </tr> <tr> <td></td> <td>F2 =0G 3</td> <td>Suction motor Fuse Suction motor fuse</td> </tr> <tr> <td></td> <td>L1 =0G 2</td> <td>Clean H2O level switch Level switch fluid</td> </tr> <tr> <td></td> <td>L2 =0G 2</td> <td>Dirty H2= level switch</td> </tr> <tr> <td></td> <td>L3 =0G 2</td> <td>Traction enable switch</td> </tr> <tr> <td></td> <td>L4 =0G 2</td> <td>External Battery charger connector switch</td> </tr> <tr> <td></td> <td>M1 =0G 3</td> <td>Traction motor</td> </tr> </tbody> </table>			Sim.\Sym.	Sigla\Item	Funzione\Use Type		B =0G 2	24V battery		C1 =0G 2	Termical control traction motor		C3 =0G 3	Termical control brush motor		C4 =0G 3	Termical control optional brush motor		F1 =0G 2	Main Fuse		F2 =0G 3	Suction motor Fuse Suction motor fuse		L1 =0G 2	Clean H2O level switch Level switch fluid		L2 =0G 2	Dirty H2= level switch		L3 =0G 2	Traction enable switch		L4 =0G 2	External Battery charger connector switch		M1 =0G 3	Traction motor	<table border="1"> <thead> <tr> <th>Sim.\Sym.</th> <th>Sigla\Item</th> <th>Funzione\Use Type</th> </tr> </thead> <tbody> <tr> <td></td> <td>M2 =0G 3</td> <td>Suction motor</td> </tr> <tr> <td></td> <td>M3 =0G 3</td> <td>Brush motor</td> </tr> <tr> <td></td> <td>M4 =0G 3</td> <td>Brush motor</td> </tr> <tr> <td></td> <td>OC =0G 2</td> <td>On board battery charger (option)</td> </tr> <tr> <td></td> <td>PE =0G 2</td> <td>On / OFF key button</td> </tr> <tr> <td></td> <td>R1 =0G 2</td> <td>Resistance on control board</td> </tr> <tr> <td></td> <td>RL1 =0G 3</td> <td>Suction motor relay Command relay on suction motor</td> </tr> <tr> <td></td> <td>RL2 =0G 2</td> <td>Traction contactor</td> </tr> <tr> <td></td> <td>TL1 =0G 2</td> <td>Main contactor</td> </tr> <tr> <td></td> <td>TL2 =0G 3</td> <td>Brush motor contactor Brush motor contactor</td> </tr> <tr> <td></td> <td>XP1 =0G 2</td> <td>External battery charger connector</td> </tr> </tbody> </table>			Sim.\Sym.	Sigla\Item	Funzione\Use Type		M2 =0G 3	Suction motor		M3 =0G 3	Brush motor		M4 =0G 3	Brush motor		OC =0G 2	On board battery charger (option)		PE =0G 2	On / OFF key button		R1 =0G 2	Resistance on control board		RL1 =0G 3	Suction motor relay Command relay on suction motor		RL2 =0G 2	Traction contactor		TL1 =0G 2	Main contactor		TL2 =0G 3	Brush motor contactor Brush motor contactor		XP1 =0G 2	External battery charger connector	<table border="1"> <thead> <tr> <th>Sim.\Sym.</th> <th>Sigla\Item</th> <th>Funzione\Use Type</th> </tr> </thead> <tbody> <tr> <td></td> <td>XP2 =0G 2</td> <td>On board batt. charger power supply</td> </tr> </tbody> </table>			Sim.\Sym.	Sigla\Item	Funzione\Use Type		XP2 =0G 2	On board batt. charger power supply
Sim.\Sym.	Sigla\Item	Funzione\Use Type																																																																																				
	B =0G 2	24V battery																																																																																				
	C1 =0G 2	Termical control traction motor																																																																																				
	C3 =0G 3	Termical control brush motor																																																																																				
	C4 =0G 3	Termical control optional brush motor																																																																																				
	F1 =0G 2	Main Fuse																																																																																				
	F2 =0G 3	Suction motor Fuse Suction motor fuse																																																																																				
	L1 =0G 2	Clean H2O level switch Level switch fluid																																																																																				
	L2 =0G 2	Dirty H2= level switch																																																																																				
	L3 =0G 2	Traction enable switch																																																																																				
	L4 =0G 2	External Battery charger connector switch																																																																																				
	M1 =0G 3	Traction motor																																																																																				
Sim.\Sym.	Sigla\Item	Funzione\Use Type																																																																																				
	M2 =0G 3	Suction motor																																																																																				
	M3 =0G 3	Brush motor																																																																																				
	M4 =0G 3	Brush motor																																																																																				
	OC =0G 2	On board battery charger (option)																																																																																				
	PE =0G 2	On / OFF key button																																																																																				
	R1 =0G 2	Resistance on control board																																																																																				
	RL1 =0G 3	Suction motor relay Command relay on suction motor																																																																																				
	RL2 =0G 2	Traction contactor																																																																																				
	TL1 =0G 2	Main contactor																																																																																				
	TL2 =0G 3	Brush motor contactor Brush motor contactor																																																																																				
	XP1 =0G 2	External battery charger connector																																																																																				
Sim.\Sym.	Sigla\Item	Funzione\Use Type																																																																																				
	XP2 =0G 2	On board batt. charger power supply																																																																																				
<table border="1"> <thead> <tr> <th>REV.</th> <th>MODIFICA</th> <th>DATA</th> <th>FIRMA</th> <th>APPR.</th> <th>SOST. IL :</th> <th>SOST. DA :</th> <th>FILE :</th> </tr> </thead> <tbody> <tr> <td></td> <td></td> <td></td> <td></td> <td></td> <td></td> <td></td> <td></td> </tr> </tbody> </table>			REV.	MODIFICA	DATA	FIRMA	APPR.	SOST. IL :	SOST. DA :	FILE :									<table border="1"> <tbody> <tr> <td>DATA</td> <td>20-11-2006</td> </tr> <tr> <td>DISEGN.</td> <td></td> </tr> <tr> <td>VISTO</td> <td></td> </tr> <tr> <td colspan="2">CLEAN TIME 70 BT</td> </tr> <tr> <td>PLD001721</td> <td>=80(+) + 4</td> </tr> <tr> <td>FG.</td> <td>F.S.</td> </tr> </tbody> </table>			DATA	20-11-2006	DISEGN.		VISTO		CLEAN TIME 70 BT		PLD001721	=80(+) + 4	FG.	F.S.																																																					
REV.	MODIFICA	DATA	FIRMA	APPR.	SOST. IL :	SOST. DA :	FILE :																																																																															
DATA	20-11-2006																																																																																					
DISEGN.																																																																																						
VISTO																																																																																						
CLEAN TIME 70 BT																																																																																						
PLD001721	=80(+) + 4																																																																																					
FG.	F.S.																																																																																					

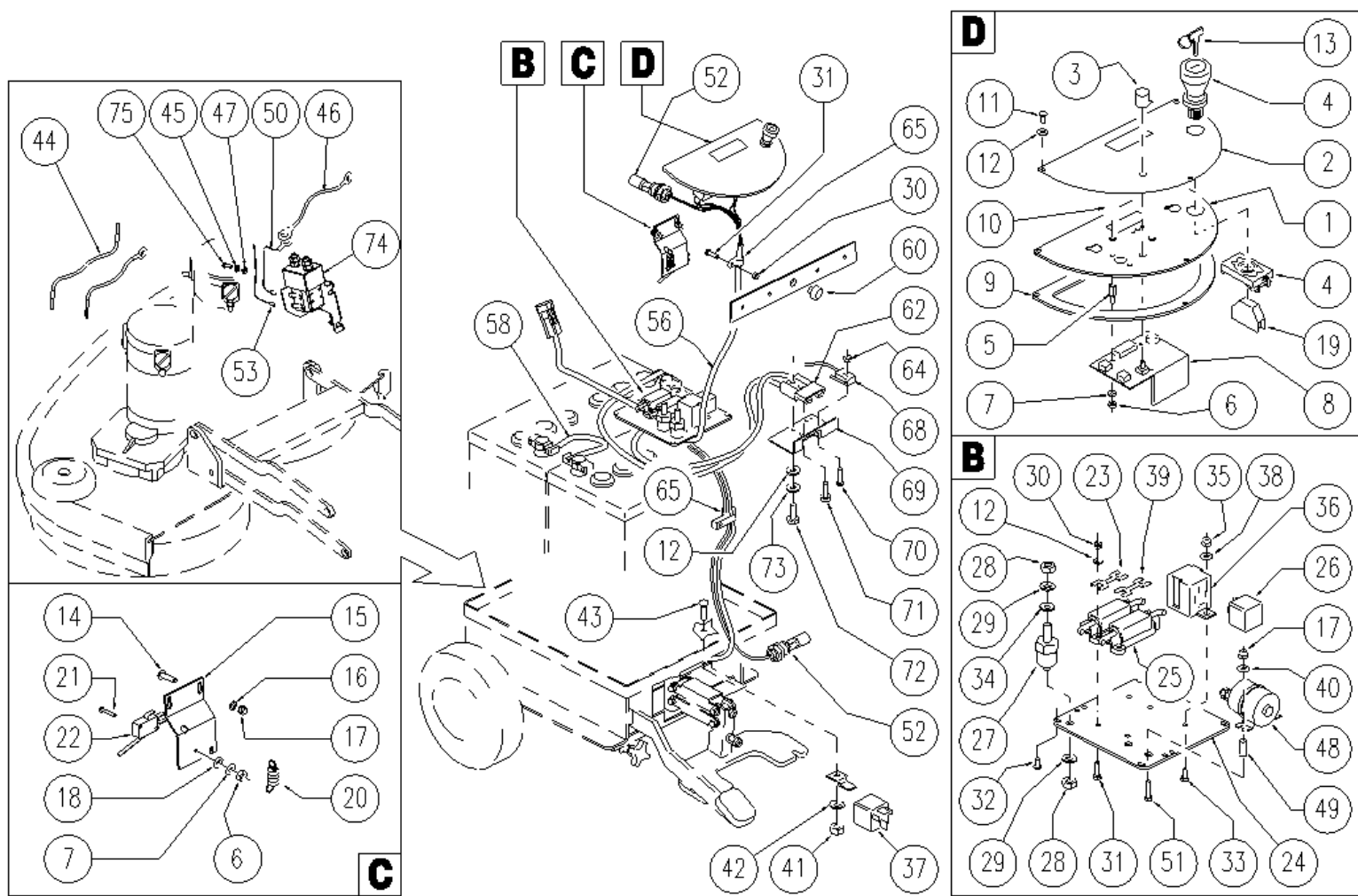
Ref.	K	Part N.	Customer Part N.	Description	Qty	Validity: From	To	Price
AP1		MECE00435		BOARD CT40 TRAZIONATA	1,00		10/2008	--
AP1		MECE00465		BOARD CT40-70-90	1,00	10/2008		--
F1		MEVR01332		FUSE-HOLDER	1,00		07/2009	--
F1		MEVR31036		FUSE-HOLDER	1,00	07/2009		--
F2		MEVR01332		FUSE-HOLDER	1,00		07/2009	--
F2		MEVR31036		FUSE-HOLDER	1,00	07/2009		--
L1		MECI00516		SENSOR DI LIVELLO ORIZZONTALE	1,00			--
L2		MECI00516		SENSOR DI LIVELLO ORIZZONTALE	1,00			--
L3		MECI36393		MICROSWITCH TRZ. DRW	1,00			--
L4		MECI00334		MICROSWITCH V4	1,00			--
M1		MOCC00301		MOTOR AOMPDI 24V 165W 130G	1,00			--
M2		MOCC00253		MOTOR ASPIR.BIST.24V	1,00		11/2008	--
M2		MOCC00349		MOTOR ASPIR.BIST.24V	1,00	11/2008		--
M3		MOCC00315		MOTOR MRP6 1/10 210G/ 24V W300	1,00			--
M4		MOCC00315		MOTOR MRP6 1/10 210G/ 24V W300	1,00			--
PE		MECI00402		BUTTON A FUNGO	1,00			--
PE		MECI00403		CONTACT -	1,00			--
RL1		MECE00139		RELAY POTENZA 24V	1,00			--
RL2		MECI00005		RELAY 24V 10/20A	1,00			--
TL1		METT45116	#8479.90.9498	CONTACTOR 24V T106 P	1,00			--
TL2		METT45116	#8479.90.9498	CONTACTOR 24V T106 P	1,00			--



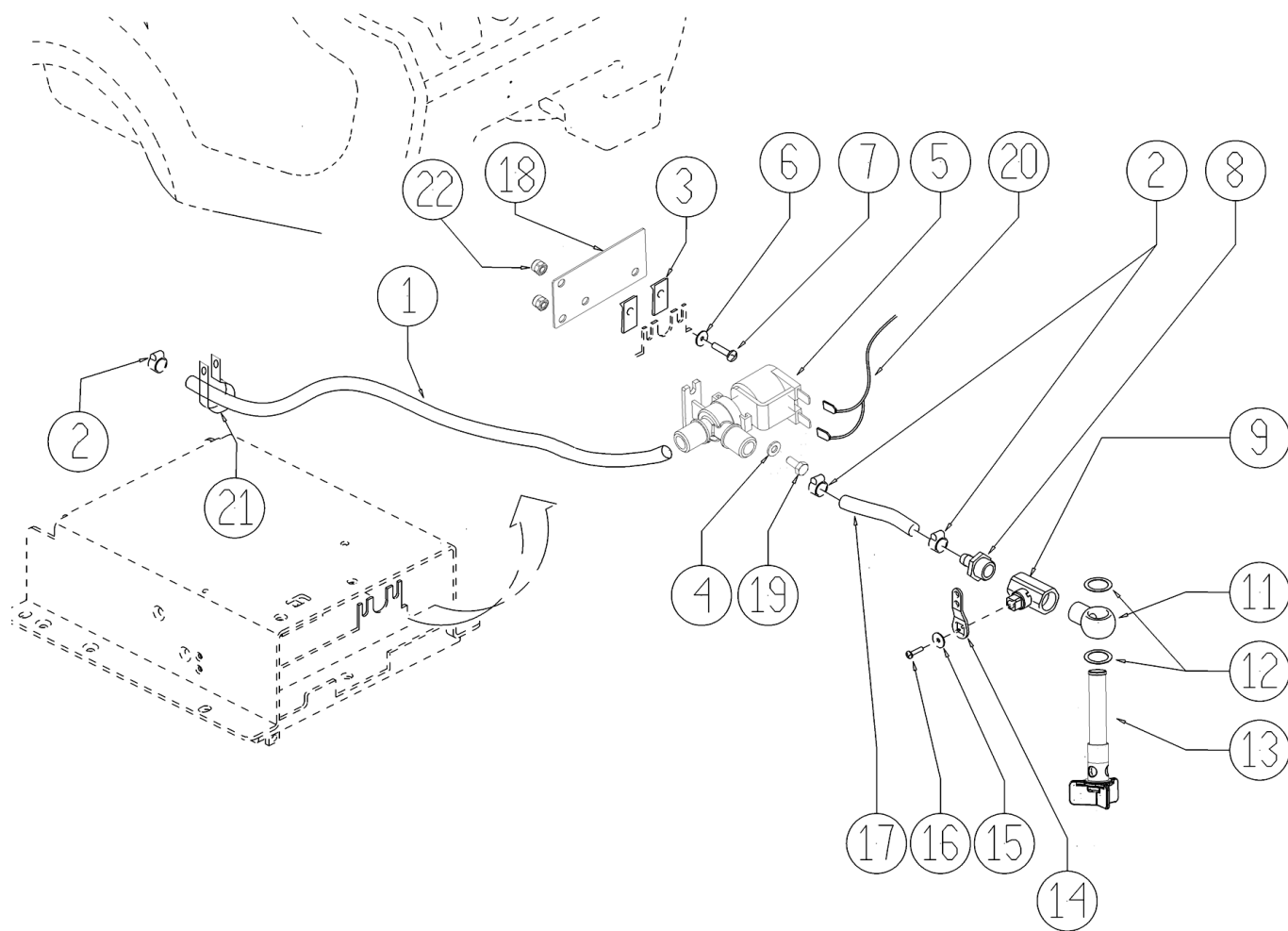
Ref.	K	Part N.	Customer Part N.	Description	Qty	Validity:		Price
						From	To	
0001		GUVR48859		GASKET SHK	1,00			--
0002		FTAC48857		FILTER ASP. ACQUA SERB. LAVAP.	1,00			--
0007		LAFN06489		PLATE	1,00			--
0008		VTRS15144		WASHER D. 6 INX GRW UNI 1751	1,00			--
0009		VTVT01303		SCREW TE M6-10 INOX	1,00			--
0010		LAFN05862		ROD RUBINETTO	1,00			--
0015		MPVR02933		DUCT LOCK D.9,5	2,00			--
0017		VTVT48694		SCREW TCB TC 5 X12 UNI 9707 TZ	2,00			--
0018		MPVR48695		PIN SHK.BK	2,00			--
0019		VTVT15961		SCREW M 5X 16 TCB TC UNI 7687	1,00			--
0020		PMVR02028		RUBBER GRUPPO MONTAGGIO	2,00			--
0021		VTVR48693		INSERT M6 D.9	1,00			--
0022		MPVR49471		LEVER SHK	1,00			--
0024		VTVT15143		SCREW TE 6X16 UNI5739	1,00			--
0025		VTRS13945		WASHER D. 6X18 INX UNI 6593	1,00			--
0027		KTRI03463		CAP SCARICO SERBATOIO SOLUZ.	1,00			--
0028		KTRI03463		CAP SCARICO SERBATOIO SOLUZ.	1,00			--
0029		VTVT15916		SCREW TE M 8X 16 UNI 5739 A2	4,00			--
0030		VTRS00269		WASHER D. 8 DIN 6798-A INX A2	4,00			--
0031		VTRS13947		WASHER D. 8 INX UNI 6592	4,00			--



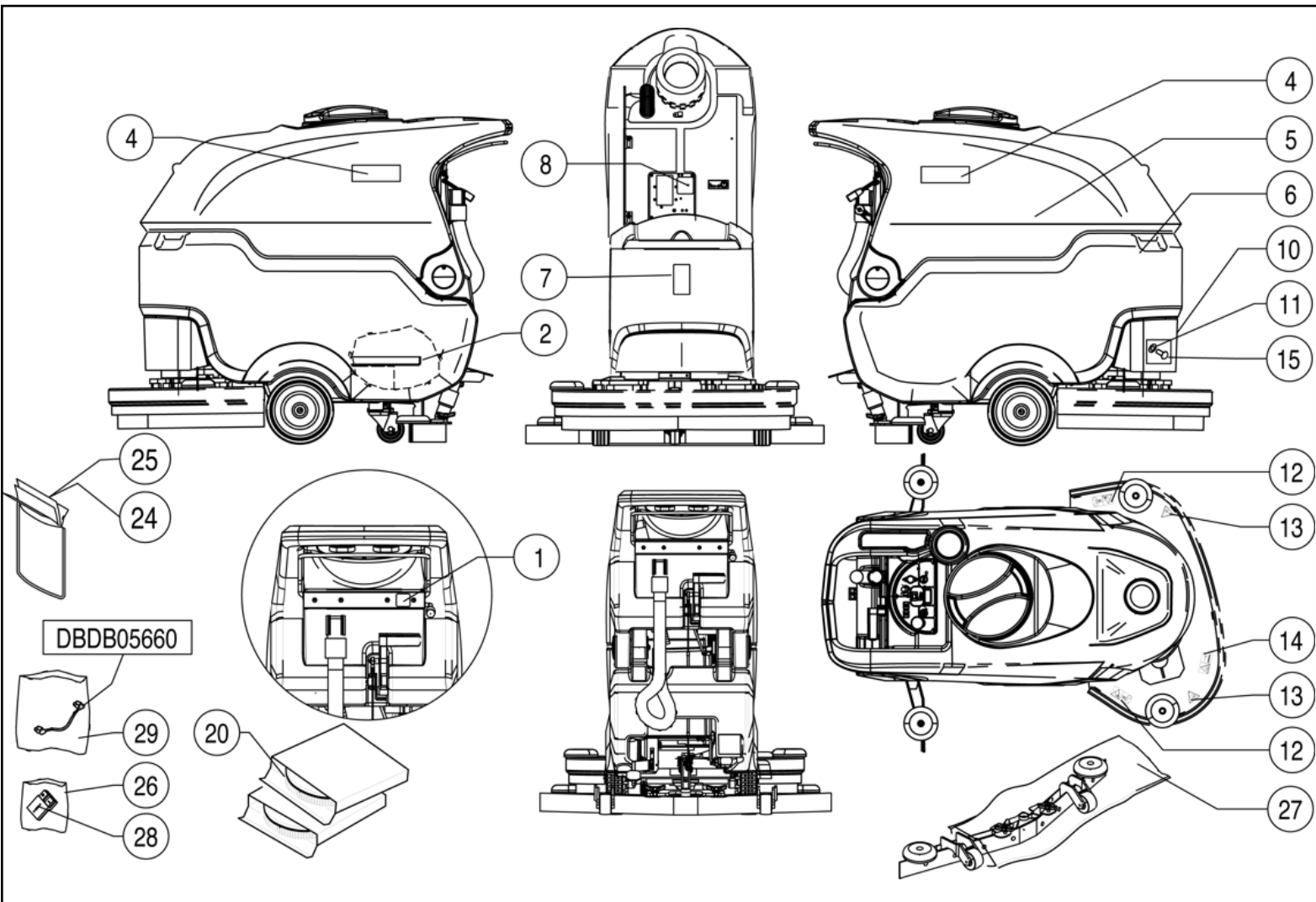
Ref.	K	Part N.	Customer Part N.	Description	Qty	Validity:		Price
						From	To	
0001		LAFN06288		SUPPORT PLANCIA COMANDI	1,00			--
0002		ETET01415		LABEL PLANCIA COMANDI	1,00			--
0003		MEVR01666		KNOB -	1,00			--
0004		MECI00402		BUTTON A FUNGO	1,00			--
0005		VTVR00481		INSERT FILETTATO M6	3,00			--
0006		VTDD21115		NUT M 3 INOX	5,00			--
0007		VTRS00268		WASHER D.3	5,00			--
0008		MECE00465		BOARD CT40-70-90	1,00			--
0009		GUGO38417		GASKET PANN.COM.EXTREME	1,00			--
0010		VTVT00865		SCREW TSP-TC M 3X 6 UNI7688 INX	3,00			--
0011		VTVT37012		SCREW M 4X 10 TCB-TC INX	3,00			--
0012		VTRS00515		WASHER D. 4 INX	9,00			--
0013		CHVR00051	#8479.90.9498	DIASASS.SPANNERPULSANTE FUNGO	1,00			--
0014		VTVT07725		SCREW TE 5X16 UNI5739 INX	2,00			--
0015		LAFN05904		PLATE MICRO LEVA	1,00			--
0016		VTRS00516		WASHER D. 5 INX	2,00			--
0017		VTDD01693		NUT M 5 INX	4,00			--
0018		VTRS21116		WASHER D. 3 INX	2,00			--
0019		MECI00403		CONTACT -	1,00			--
0020		MLML34726		SPRING TR E350 N	1,00			--
0021		VTVT01316		SCREW TC+ M3-16	2,00			--
0022		MECI36393		MICROSWITCH TRZ. DRW	1,00			--
0023		MEVR02887		FUSE 40A NST.	1,00			--
0024		LAFN06822		PLATE ELETTRONICA	1,00			--
0025		MEVR01332		FUSE-HOLDER	2,00		07/2009	--
0025		MEVR31036		FUSE-HOLDER	2,00	07/2009		--
0026		MECE00139		RELAY POTENZA 24V	1,00			--
0027		MEVR01116		SUPPORT FUSIBILE 120 A	1,00			--
0028		VTDD15521		NUT M 8 INX A2 UNI 5588	4,00			--
0029		VTRS01080		WASHER D. 8 GRW	4,00			--
0030		VTDD15925		NUT M 4 INX	4,00			--
0031		VTVT00704		SCREW TE M 4X 16 UNI5739 INOX	6,00			--
0032		VTVT01580		SCREW TC M5X10 UNI7687 INOX	4,00		05/2009	--
0032		VTVT07521		SCREW TCB 5X10	4,00	05/2009		--
0033		VTVT21096		SCREW TE M 4X 10 INX	1,00			--
0034		VTRS13947		WASHER D. 8 INX UNI 6592	3,00			--
0035		VTDD00147		NUT M 4 INX U.5588	1,00			--
0036		METT00053		BLOCK PORTA RELE'	1,00			--
0037		MECI00005		RELAY 24V 10/20A	1,00			--



Ref.	K	Part N.	Customer Part N.	Description	Qty	Validity:		Price
						From	To	
0038		VTRS13750		WASHER D. 5X14 INX	1,00			--
0039		MEVR00604		FUSE	1,00			--
0040		VTRS15958		WASHER D. 5 X15 UNI 6593	2,00			--
0041		VTDD01694		NUT M 6 INX	1,00			--
0042		VTRS00245		WASHER D.6 UNI 6592 INOX	1,00			--
0043		VTVT01676		SCREW TSTC UNI 7688 M6X16	1,00			--
0044		MECB01014		CABLE 6,5mmq	2,00			--
0045		VTRS15913		WASHER D. 4 GROVER A2 UNI1751	2,00			--
0046		MECB00987		WIRING -	1,00			--
0047		VTRS00515		WASHER D. 4 INX	2,00			--
0048		METT45116	#8479.90.9498	CONTACTOR 24V T106 P	1,00			--
0049		LAFN31098		SPACER S. BLOCK B 450	2,00			--
0050		MECB01019		WIRING	1,00			--
0051		VTVT00399		SCREW TE M5x30 UNI 5739	2,00			--
0052		MECI00516		SENSOR DI LIVELLO ORIZZONTALE	2,00			--
0053		MECB01020		WIRING	1,00			--
0056		MECB01035		ELECTRI.INSTAL.CT 40-70-90	1,00			--
0058		MEVR34820		WIRING B 450 BT	1,00			--
0060		MPVR00043		CAP CHIUS.FORO PORTAFUS.L 15	1,00			--
0062		MEVR01707		CONNECTOR -	1,00			--
0064		VTDD08634		NUT M2	2,00			--
0065		FSVR00099		CLAMP FERMATUBO	2,00			--
0068		MECI00334		MICROSWITCH V4	1,00			--
0069		LAFN06409		SUPPORT -	1,00			--
0070		VTVT00671		SCREW TC- M.2-16 OTTONE	2,00			--
0071		VTVT00872		SCREW TSP+ 2.9X13 AUTOFIL. INOX	1,00			--
0072		VTVT00814		SCREW TE M.4-25	2,00			--
0073		VTRS15913		WASHER D. 4 GROVER A2 UNI1751	2,00			--
0074		MECI00532		CONTACTOR 24V-100A	1,00			--
0075		VTVT00881		SCREW TC+ M4x6 TRILOBATA INOX	2,00			--



Ref. K	Part N.	Customer Part N.	Description	Qty	Validity:		Price
					From	To	
0001	TBFX48011		TUBE FLEX D.12X3 ARMORV.PVC TR	0,78			--
0002	FSVR00428		CLAMP D. 12-20	4,00			--
0003	MLML00002		SPRING PRESTOLA DOPPIA 8P	2,00		05/2011	--
0004	VTRS00515		WASHER D. 4 INX	2,00			--
0005	MEEV00036		SOLENOID VALVE	1,00			--
0006	VTRS00516		WASHER D. 5 INX	2,00		05/2011	--
0007	VTVT48694		SCREW TCB TC 5 X12 UNI 9707 TZ	2,00		05/2011	--
0008	RCVR00536		CONNECTOR PORTAG.	1,00			--
0009	RCGR00065		TAP F/F 1/2"	1,00			--
0011	RCDS49622		CONNECTOR OCC 1/2 - 1/2M	1,00			--
0012	VTRS00567		WASHER 1/2	2,00			--
0013	MPVR05221		FILTER COMPLETO	1,00			--
0014	LAFN05902		LEVER RUBINETTO	1,00			--
0015	VTRS00251		WASHER 4-16 INOX A2	1,00			--
0016	VTVT01316		SCREW TC+ M3-16	1,00			--
0017	TBFX49468		TUBE FLEX D.10X3 ARMORV.PVC TR	0,17			--
0018	LAFN08843		PLATE -	1,00		05/2011	--
0019	VTVT01158		SCREW M4x16	2,00	05/2011		--
0019	VTVT21096		SCREW TE M 4X 10 INX	2,00		05/2011	--
0020	MECB01247		WIRING	1,00			--
0021	FSVR00032		CLAMP	1,00			--
0022	VTDD00055		NUT M 4 ATB A2	2,00		05/2011	--



Ref. K	Part N.	Customer Part N.	Description	Qty	Validity:		Price
					From	To	
0001	ETET01447		LABEL	1,00			--
0002	LAFN35588		BATTERY SUPPORTLAV. BT	1,00			--
0004	ETET01542		LABEL LAVAMATIC	2,00			--
0005	MPVR06215		TANK CT70	1,00			--
0006	MPVR05386		TANK CT70	1,00			--
0007	ETET01488		LABEL LATERALE	1,00			--
0008	ETET00763		LABEL SIMBOLO FUSIBILI	1,00			--
0010	MPVR05209		COVER 60-70	1,00		05/2008	--
0010	MPVR05356		COVER 60/70	1,00	05/2008		--
0011	VTRS00516		WASHER D. 5 INX	4,00			--
0012	ETET00906		ADHESIVE SIMBOLO PERICOLO DI ABRAS	2,00			--
0013	ETET00897		ADHESIVE SIMBOLO PERICOLO	2,00			--
0014	ETET00898		ADHESIVE SIMBOLO SCHIACCIAMENTO	1,00			--
0015	VTVT15961		SCREW M 5X 16 TCB TC UNI 7687	4,00			--
0020	SPPV00428		BRUSH NYLON D310	2,00			--
0024	PLDC01602		INSTR.MANUAL 40-70-90	1,00			--
0026	MIVR00072		ENVELOPE PLASTICA TRASP.	1,00			--
0027	MIVR00048		TUBE UNIBOL	1,00			--
0028	MEVR01079		PLUG M CB50 A 600V RD.	1,00			--
0029	MIVR00064		ENVELOPE PORTA CABLAGGI	1,00			--