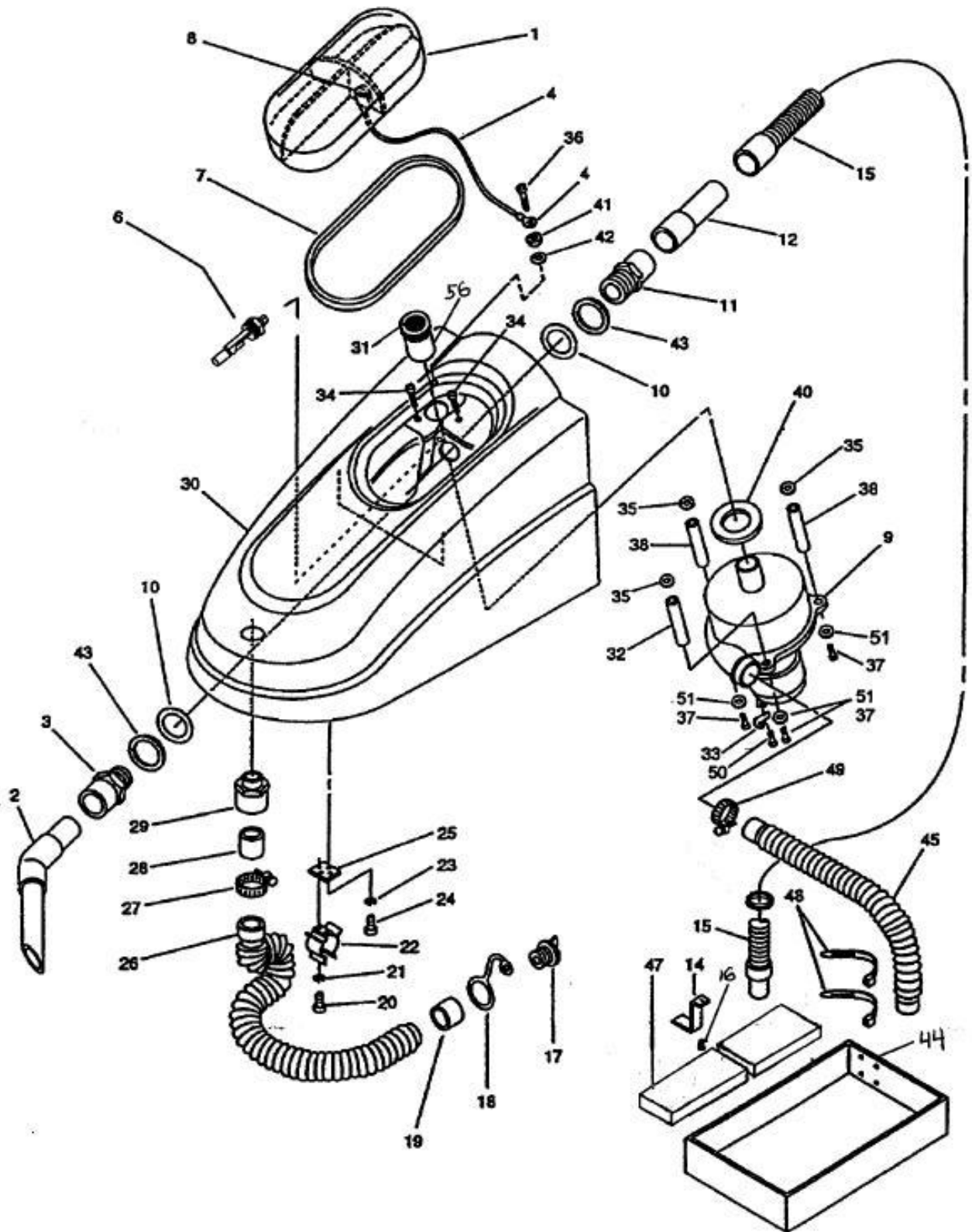


Tornado [Mar. 6, 2013]/Year 2000-Current: Schematics, Accessories, Brochures, Replacement & Optional Items/Automatic Scrubbers/20" & 24" EZ Floorkeepers/99105A 20" EZ BD Floorkeeper (w/ 2-12 V Batteries) - Series F/Recovery Tank Assembly



No.	Part No.	Qty.	Description
1	18741	1	Solution Tank Cover
2	18799	1	ASS'Y INTAKE DEFLECTOR
3	15088	1	ADAPTER MALE PVC
	X9076		BULKHEAD 1-1/2" MPT X 1-1/2"
4	18789	2	ASSEMBLY CABLE (STEEL)
6	19708	1	SWITCH FLOAT W/TERMINALS
7	18742	2	Solution Tank Cover Gasket
8	18790	1	CLASP COVER CABLE
9	31129	1	Vacuum Motor Bypass T/D
10	05781	2	GASKET
11	15096	1	FITTING FEMALE ADAPTER
	PX63		Plastic Coupler 1-1/2" Slip x 1-1/2" FPT
12	18259	1	SLEEVE HOSE CUFF ADAPTER
14	18241	1	BRACKET SQUEEGEE HOSE
15	18747	2	Squeegee Hose
16	18253	2	SCREW T.F.PLT60 PAN HEAD
17	18226	1	Drain Plug
18	18358	1	Plug Retaing Strap
19	18357	1	Recovery Tank Drain Hose Sleeve
20	01734	6	SCREW PHIL. RND HD MACH
21	01246	6	WASHER LOCK(H/S)# 6
22	18671	3	Drain Hose Retaining Clip
23	01905	6	WASHER LOCK(E/T C'SUNK) #10
24	01993	6	SCREW PHIL. FLAT HD MACH
25	18439	3	PLATE DRAIN HOSE RET.CLI
26	19286	1	Recovery Tank Drain Hose
27	16091	1	CLAMP HOSE(SCREW)
28	18401	1	SLEEVE SCH.40 1 1/4 X 1
29	18052	1	FITTING SCH.40 ADAPT.ABS
30	31990	1	TANK RECOVERY(F/K EZ)
31	19398	1	ASSY INTAKE FILTER
32	18846	1	SPACER (1/4 20)
33	17392	1	CLAMP CABLE(CCH 5/16)
34	18342	2	SCREW FLAT HEAD CAP
35	14142	3	Washer
	X8235		Washer 1/4" Flat Zinc
36	17177	1	SCREW HEX HD CAP
37	18333	3	SCREW PHIL. PAN HD MACH
38	18349	2	SPACER (1/4 20)
40	18847	1	GASKET VACUUM MOTOR(EZ)
41	17508	1	NUT FINISHED HEX
	7CN001		NUT 1/4-20 HEX SS
42	18885	1	WASHER PLAIN
43	18886	2	WASHER PLAIN
44	18688	1	BATTERY TRAY(EZ)
	16317		BATTERY TRAY(B/G & EZ)
45	18687	1	HOSE STEEL SUPPORTED BLK
47	32344	2	BLOCK WOOD(BATTERY STOP)
48	18706	2	WIRE TIE 15(BLACK)
49	14858	1	CLAMP HOSE(SCREW)
50	04651	1	SCREW TCT(F)PAN HEAD
51	00851	3	Washer
52	98799	2	BATTERY 12V(FLOODED)
53	99506	4	BATTERY 6V (FLOODED)

54	99510	1	BATTERY CHARGER 24V/20A
55	30725	2	CABLE BATTERY JUMPER
56	18861	1	STAND PIPE VACUUM MOTOR