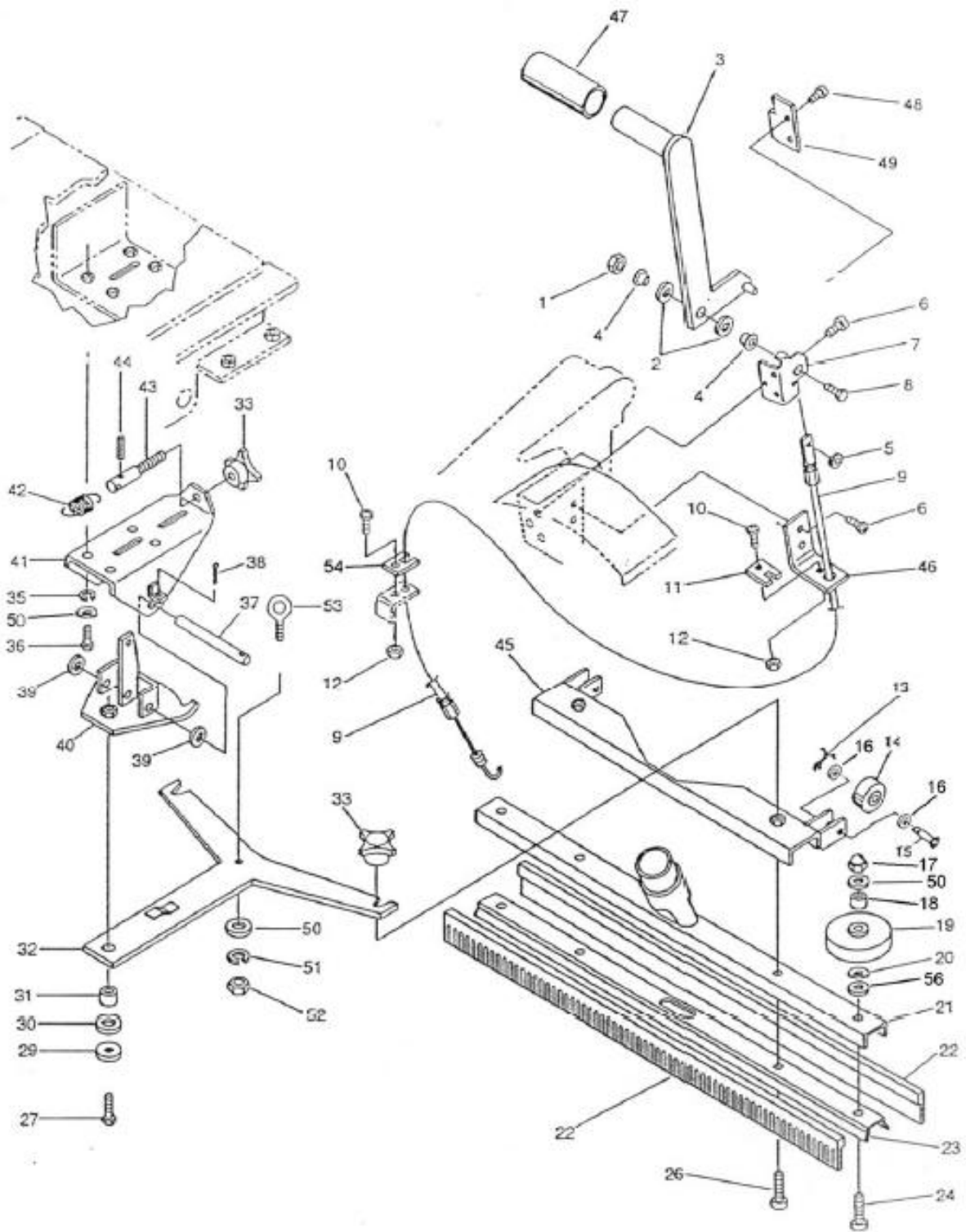


Tornado [Mar. 6, 2013]/Year 2000-Current: Schematics, Accessories, Brochures, Replacement & Optional Items/Automatic Scrubbers/20" & 24" EZ Floorkeepers/99105A 20" EZ BD Floorkeeper (w/ 2-12 V Batteries) - Series F/Squeegee Assembly



No.	Part No.	Qty.	Description
1	03868	1	NUT HEX JAM LOCK (NYL)
2	19616	2	WASHER PLAIN
3	18314	1	WELDMENT SQGE CNTRL HANDLE
4	16347	2	BEARING FLANGED BRONZE
5	18655	1	NUT PUSH ON RETAINER CAP
6	16136	5	SCREW TFT(PLT30)FIL.HD.
7	18249	1	BRACKET HANDLE PIVOT
8	03320	1	SCREW HEX HD CAP
9	19910	2	Squeegee Lift Cable
10	03660	2	SCREW PHIL. PAN HD MACH
11	18651	1	PLATE CONTROL CABLE CLAS
12	10894	2	NUT HEX.LOCK(P/T)
13	30227	2	PIN COTTER (EXT.PRONG)
14	18400	2	WHEEL 1 5/8DIA.
15	30226	2	PIN CLEVIS
16	00696	4	WASHER PLAIN
17	17130	2	Acorn Nut
18	17400	2	SPACER 1/4
19	11053	2	WHEEL 4DIA.(3/8BORE)
20	07132	2	WASHER SPRING 3/8
21	18136	1	CHANNEL OUTER 28 SQUEEGEE
22	18709	1	Squeegee Blade (set of 2)
23	18663	1	RETAINER 30SQGEE.BLADE
	33892		RETAINER, 30" SQUEEGE BLADE
24	18680	2	SCREW FLAT HEAD CAP
26	18681	2	SCREW FLAT HEAD CAP
27	03320	1	SCREW HEX HD CAP
29	03914	1	WASHER PLAIN
30	18145	1	BEARING THRUST 5/8 (BRON)
31	18146	1	PIVOT
32	18141	1	WELDMENT TOWING ARM
33	18119	3	KNOB PLASTIC INSERT
35	01577	4	WASHER LOCK(H/S)5/16
36	18142	4	SHAFT PIVOT
37	18142	1	SHAFT PIVOT
38	16254	1	PIN COTTER
39	16347	2	BEARING FLANGED BRONZE
40	18114	1	WELDMENT PIVOT FRAME
41	18144	1	WELDMENT PIVOT FRAME
42	18568	1	SPRING EXTENSION
43	18138	1	SPRING ADJUSTER
44	18176	1	PIN SPRING SLTD
45	18206	1	WELDMENT SQUEEGEE
46	18650	1	BRACKET SQUEEGEE CABLE
47	10721	1	GRIP ROUND
48	18253	3	SCREW T.F.PLT60 PAN HEAD
49	18548	1	BRACKET SQUEEGEE LEVER S
50	14142	7	Washer
	X8235		Washer 1/4" Flat Zinc
51	01574	1	Lock Washer
52	01497	1	NUT FINISHED HEX
53	18695	1	BOLT SQUEEGEE LIFT
54	19796	1	PLATE CONTROL CABLE
56	00851	2	Washer
NOT SHOWN	16586	1	WASHER LOCK(I/T)3/8