



Floor Polisher
225FPCF
Operator's Manual



FOR YOUR SAFETY

DO NOT store or use gasoline or other flammable vapors and liquids in the vicinity of this or any other appliance.

Record This Important Information

Date of Purchase _____

Purchased From _____

Address _____

City _____ State _____ Zip _____

Phone _____ Contact _____

Machine Model _____

Machine Serial Number _____

Important Phone Numbers

Medical Emergency _____

Police _____

Fire Department _____



WARNING! The Products sold with this Manual contain or may contain chemicals that are known to certain governments (such as the State of California, as identified in its Proposition 65 Regulatory Warning Law) to cause cancer, birth defects or other reproductive harm. In certain locations (including the State of California) purchasers of these Products that place them in service at an employment job site or a publicly accessible space are required by regulation to make certain notices, warnings or disclosures regarding the chemicals that are or may be contained in the Products at or about such work sites. It is the purchaser's responsibility to know the content of, and to comply with, any laws and regulations relating to the use of these Products in such environments. The Manufacturer disclaims any responsibility to advise purchasers of any specific requirements that may be applicable to the use of the Products in such environments.

Table of Contents

| | | | |
|-------------------------------|---|---------------------------------|----|
| Safety Precautions..... | 4 | How to Operate the Machine..... | 10 |
| Technical Specifications..... | 5 | Installing the Pad Driver..... | 10 |
| Operator Responsibility..... | 6 | Operation..... | 10 |
| Machine Preparation..... | 6 | After Use..... | 10 |
| Unpacking the Machine..... | 6 | Scheduled Maintenance..... | 11 |
| Transporting the Machine..... | 6 | Machine Troubleshooting..... | 11 |
| Grounding Instructions..... | 7 | Electrical Schematic..... | 13 |
| Extension Cords..... | 7 | Parts Manual..... | 14 |
| Machine Components..... | 8 | Main Assembly..... | 14 |
| Operator Handle Grips..... | 9 | Motor Assembly..... | 16 |
| Switch Levers..... | 9 | Gearbox Assembly..... | 16 |
| Switch Lever Safety Lock..... | 9 | Manufacturer's Warranty..... | 18 |
| Handle Release Lever..... | 9 | | |
| Cord Hook..... | 9 | | |
| Water Release Handle..... | 9 | | |
| Power Cord..... | 9 | | |

*****This product is intended for commercial use only*****

In this Operation Manual you will find three statements that you must read and observe to ensure safe operation of this machine.

DANGER! indicates that the possibility of severe bodily injury or death can occur if DANGER! statements are ignored. Read and observe all DANGER! statements included in the Operation Manual and attached to the machine.

WARNING! indicates that the possibility of bodily injury to the operator and other people can occur if WARNING! statements are ignored. Read and observe all WARNING! statements included in the Operation Manual and attached to the machine.

CAUTION! indicates that the possibility of damage to the machine or other property can occur if CAUTION! statements are ignored. Read and observe all CAUTION! statements included in the Operation Manual and attached to the machine.

Safety Precautions

Anyone operating the machine should read the following carefully and be informed of potentially dangerous operating conditions. Operators should be familiar with the location and use of all safety devices on the machine. DO NOT use the machine if it is not in proper operating condition, and report any damage or operation faults immediately.

DANGER! Failure to read the Owner's Manual prior to operating or attempting any service or maintenance procedure to your machine could result in injury to you or to other personnel; damage to the machine or to other property could occur as well. You must have training in the operation of this machine before using it. If you or your operator(s) cannot read English, have this manual explained fully before attempting to operate this machine.

DANGER! To reduce the risk of fire, use only commercially available floor cleaners, strippers, and waxes intended for machine application.

DANGER! Risk of explosion. Floor sanding can result in an explosive mixture of fine dust and air. To reduce risk of explosion, use floor sanding machine only in well ventilated area.

DANGER! Operating a machine that is not completely or fully assembled could result in injury or property damage. **DO NOT** operate this machine until it is completely assembled. Inspect the machine carefully before operation.

DANGER! Electrocutation could occur if maintenance and repairs are performed on a unit that is not disconnected from the power source. Disconnect the power supply before attempting any maintenance or service. Always remove the electrical plug from the electrical outlet before changing the brush, pad or other attachment and before leaving the machine.

DANGER! Using a machine with a damaged power cord could result in an electrocution. **DO NOT** use the machine if the power cord is damaged. **DO NOT** use the electrical cord to move the machine.

WARNING! Water solutions used with this type of machine can leave wet areas on the floor surface. These areas can cause a dangerous condition for the operator or other persons. Always put "CAUTION" signs near the area being cleaned.

WARNING! Modifications or alterations to this machine can lead to personal injury or damage to the machine. **DO NOT** make unauthorized modifications or alterations to this machine. CleanFreak assumes no liabilities for injury or damage resulting from an unauthorized modification or alteration to the machine. Any unauthorized modification or alteration to this machine voids all warranties.

WARNING! Electrical components of this machine can "short-out" if exposed to water or moisture. Keep the electrical components of the machine dry. Wipe the machine down after each use. For storage, keep the machine in a dry building.

WARNING! Always use a three-wire electrical system connected to the electrical ground. For maximum protection against electric shock, use a circuit that is protected by a ground fault interrupter. Consult your electrical contractor.

WARNING! To prevent damage to the power cord, **DO NOT** let the brush, pad, pad driver or wheels touch the power cord when the machine is running. Always lift the cord over the machine. **DO NOT** pull the power cord to move the machine.

WARNING! Operating a machine without observing all labels and instructional information could result in injury or damage. Read all machine labels before attempting to operate. Make sure all of the labels and instructional information are attached or fastened to the machine. Get replacement labels and decals from your authorized distributor.

WARNING! Sanding wood or varnish produces dust that could self ignite and could cause injury or damage. Dispose accordingly.

WARNING! Use of this machine as a step or furniture could result in injury or damage. **DO NOT** use this machine as a step or furniture. **DO NOT** ride on this machine.

WARNING! To avoid injury keep hands, feet and loose clothing away from all moving parts of this machine.

WARNING! Injury to operator or bystanders could occur if an abrupt change in floor surface texture is encountered when using this machine. Abrupt change in floor surface texture can cause a sudden pulling motion by this machine. This sudden pulling motion can result in loss of control of the machine which could injure the operator or bystanders. Avoid motions that could cause machine to cross from a smooth floor surface to a carpeted or rough texture floor surface. Avoid motions that could allow the machine to come in contact with low obstacles, such as floor electrical outlets, door stops or entry molding, etc.

WARNING! Any alterations or modifications of this machine could result in damage to the machine or injury to the operator or other bystanders. Alterations or modifications not authorized by the manufacturer voids any and all warranties and liabilities.

CAUTION! The machine is heavy. Get assistance before attempting to transport or move it.

CAUTION! When draining liquids from the machine, follow all local and federal waste disposal standards.

Technical Specifications:

| <u>Description</u> | <u>225FP17CF</u> | <u>225FP20CF</u> |
|---------------------------|-------------------------|-------------------------|
| Voltage (V) | 120 | 120 |
| Frequency (Hz) | 60 | 60 |
| Current (A) | 15 | 15 |
| Pad / Brush Speed | 175 rpm | 175 rpm |
| Power | 1.5 hp (1.1 kW) | 1.5 hp (1.1 kW) |
| Gearbox | 3-Planet | 3-Planet |
| Pad/Brush Size | 17" (43 cm) | 20" (51 cm) |
| Cord | 14/3 Yellow SOOW | 14/3 Yellow SOOW |
| Cord Length | 50' (15 m) | 50' (15 m) |
| Height w/ Handle | 46" (117 cm) | 46" (117 cm) |
| Width | 16.5" (42 cm) | 19.5" (50 cm) |
| Length | 23" (59 cm) | 24.5" (62 cm) |
| Weight w/ cord | 91 lbs (41 kg) | 95 lbs (43 kg) |
| Handle Tube | Tubular Steel | Tubular Steel |
| Main Frame | Die Cast Aluminum | Die Cast Aluminum |

This Machine is Manufactured for Commercial use only.

This machine is designed and manufactured for indoor use on hard floor surfaces. CleanFreak does not recommend use of this machine in any environment other than an indoor environment. This floor machine is designed and manufactured for commercial floor use only. This machine is designed to clean most modern types of floors including composition tile, stone, marble, terrazzo, and resilient floor covering, and some coated wood floors.

Operator Responsibility

The operator is responsible for performing the recommended daily maintenance and checkups of the machine to keep it in good working condition. The operator must inform the service mechanic or supervisor when recommended maintenance procedures are required as prescribed in the "MAINTENANCE" section of this manual.

FOR SAFETY: DO NOT operate machine before reading and understanding the operation manual.

Keep your machine regularly maintained by following the maintenance information in this manual. Order parts and supplies only from CleanFreak. Use the parts illustration section of your manual when ordering parts.

During and after operation, perform the recommended daily and hourly procedures outlined in the Maintenance Chart.

Machine Preparation

Unpacking the Machine

When the machine is delivered, carefully inspect the shipping carton and the machine for damage. Unpack the machine with caution. If damage is evident, save the shipping carton so that it can be inspected. Contact CleanFreak.

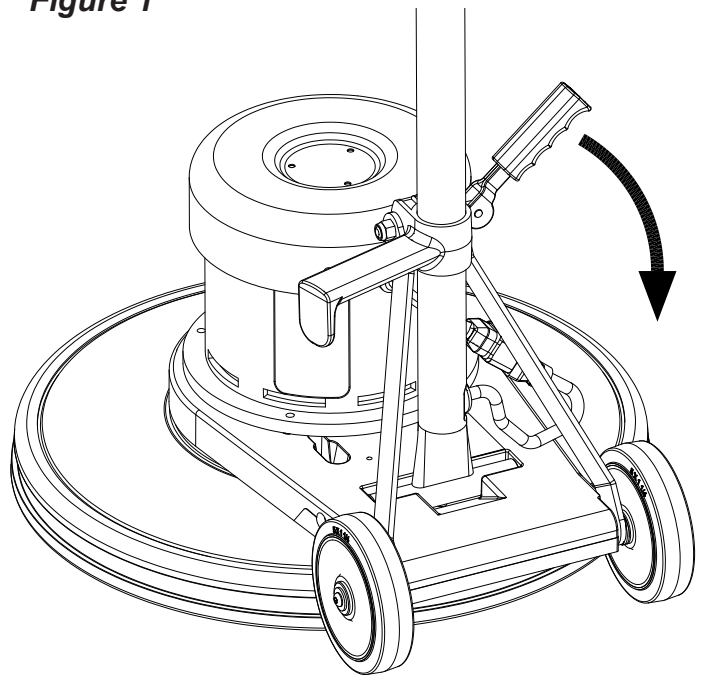
Transporting the Machine

To transport the machine, follow this procedure:

1. Raise and lock the handle in the upright position. To lock the handle, push down on the handle release lever (See Figure 1).
2. Unplug the machine from wall outlet and wrap cord around the handle and cork hook.
3. To pick up the machine, using two people, lift and place in cargo area (See Figure 2).

WARNING! The machine is heavy, 90 lbs (41 kg) without the cord. To avoid injury or damage to

Figure 1



the machine use a firm grip and proper lifting technique. Always use two people when lifting this machine.

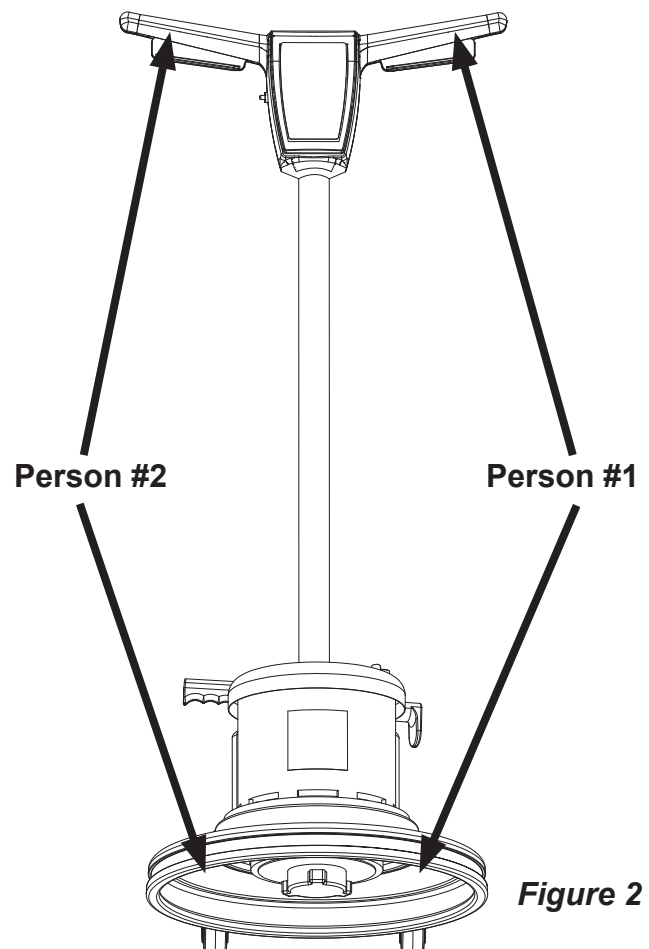


Figure 2

Grounding Instructions

120 Volt Machines

This product must be grounded while in use to protect the operator from electrical shock. The machine is provided with a three-conductor cord and a three contact grounding attachment plug to fit the proper grounding type receptacle. The green (or green and yellow) conductor in the cord is the grounding wire. NEVER connect this wire to other than the grounding pin of the attachment plug. If it should malfunction or breakdown, grounding provides a path of least resistance for electric current to reduce the risk of electrical shock. This product is equipped with a cord having an equipment-grounding conductor and grounding plug. The plug must be inserted into an appropriate outlet that is properly installed and grounded in accordance with all local codes and ordinances.

WARNING: Improper connection of the equipment-grounding conductor can result in a risk of electric shock. Check with a qualified electrician or service person if you are in doubt as to whether the outlet is properly grounded. **DO NOT** modify the plug provided with the product - if it will not fit the outlet, have a proper outlet installed by a qualified electrician.

This product is for use on a nominal 120 volt circuit and has a grounding attachment plug that looks like the plug illustrated as (A) in the sketch. Make sure that the machine is connected to an outlet having the same configuration as the plug. No adapter should be used with this product.

WARNING: To prevent possible electric shock, protect the machine from rain. Keep the machine in a dry building.

WARNING: To prevent possible electric shock, always use a 3-wire electrical system connected to the electrical ground.

WARNING: DO NOT cut, remove or break the ground pin. If the outlet does not fit the plug, consult your electrical contractor.

WARNING: Have worn, cut or damaged cords replaced by an authorized service person.

Extension Cords

Use only an approved extension cord with three conductors, a plug with three terminals, and a connector body with three holes. The machine has a power cord with wire size 12 AWG (AWG means American Wire Gauge).

WARNING: If you use an extension cord, use an extension cord with minimum wire size 12 AWG. **DO NOT** use an extension cord longer than 50 feet. **DO NOT** join two extension cords.

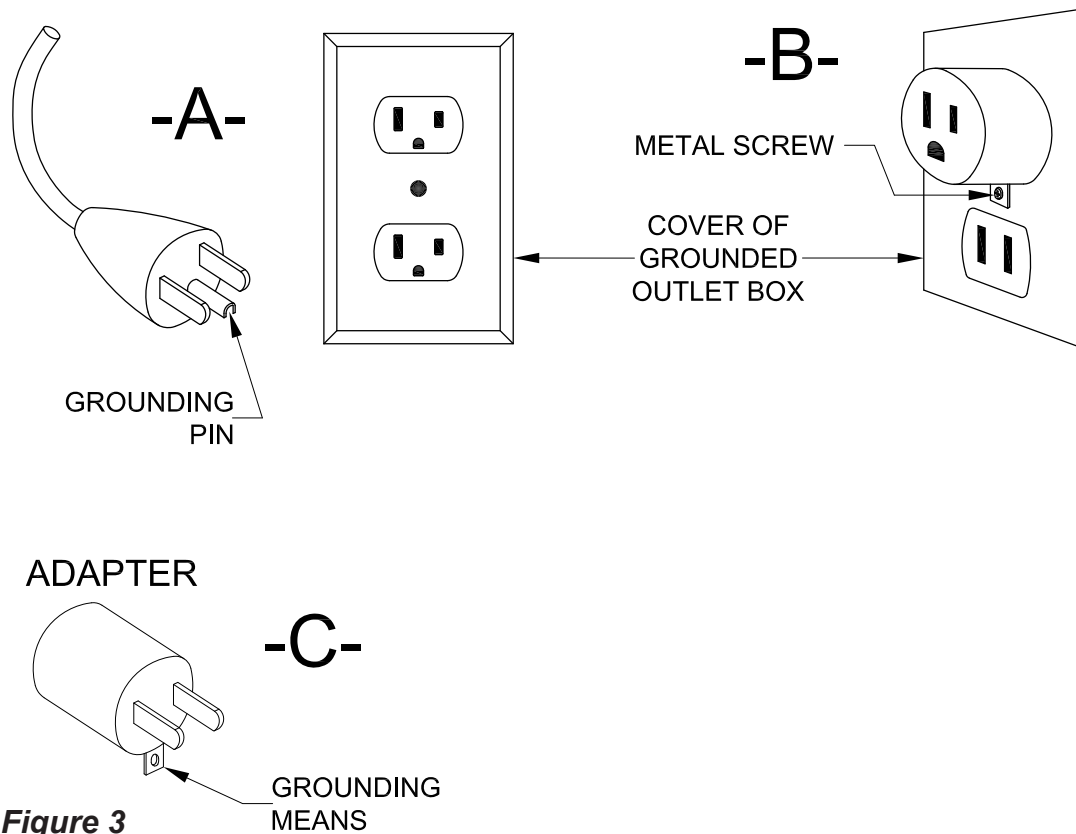
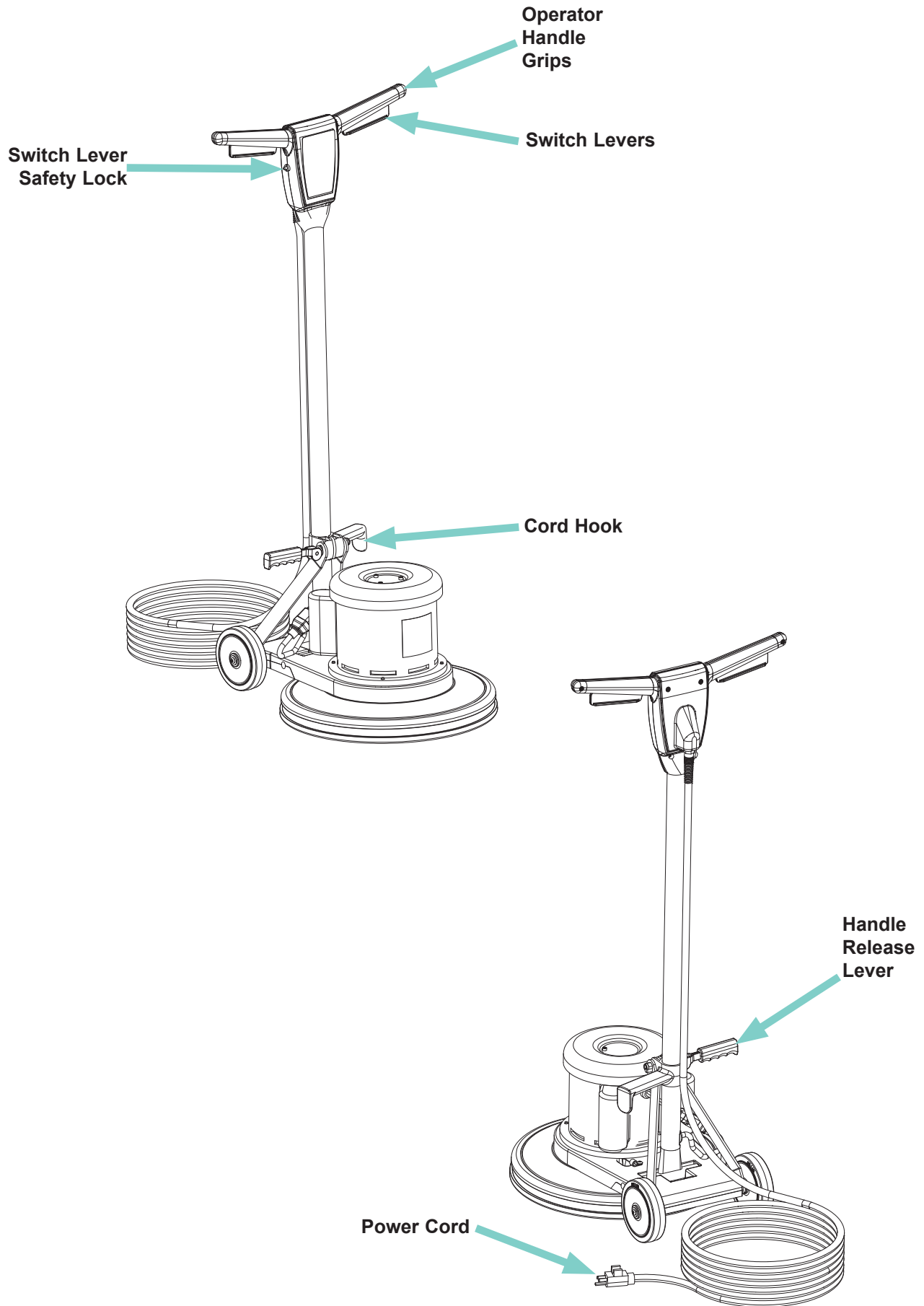


Figure 3

Machine Components



Operator Handle Grips

Use the operator handle grips to operate and move the machine. The switch levers on the underside of the handle grips, turn the motor on and off. Locate the handle grips in a comfortable operating position and lock the handle release lever in place. While operating the machine, slightly raising or lowering the operators handle will help the operator control the machine.

Switch Levers

The switch levers activate the switch module to turn the motor on and off. The switch module will not activate unless the switch lever safety lock is pressed first. To operate the machine, only one switch lever has to be engaged. This allows the operator to alternate hands while using the machine. To stop the motor from turning, release the switch levers.

Switch Lever Safety Lock

The switch lever safety lock is to prevent someone from accidentally turning the machine on. To turn the machine on, always make sure the handle is lowered in the operators position and the handle release lever is locked. Push and hold the switch lever safety lock with one hand, while engaging one of the switch levers. Once the machine has started, the switch lever safety lock can be released.

Handle Release Lever

This handle is used to release or lock the operators handle. Pulling up on the lever will allow the handle to move freely. Pushing down on the lever, horizontally, will lock the handle in place. The handle should always be locked while in use, as well as during transport or storage.

Cord Hook

To prevent the cord from being damaged while not in use, wrap the cord around the cord hook and the top of the operators handle.

Water Release Handle

Pulling up on this handle will open the valve inside the tank and allow water to flow from the water tank to the driver. Water will only flow from the tank while the handle is raised. To stop the flow of water from the tank, release the handle. The amount of flow can be varied by how far the handle is raised.

To drain the water tank, place the machine over a drain. Remove the fill cap and use the water release handle to drain the tank. Replace fill cap when finished.

Power Cord

Use only the supplied power cord with this machine. The power cord is sized to be used with this machine. To attach the power cord to the machine, insert plug on the back of handle into the female receptacle of the power cord. Properly align the plug pins with the holes of the receptacle, push together and twist to lock the cords in place.

How to Operate the Machine

Installing the Pad Driver

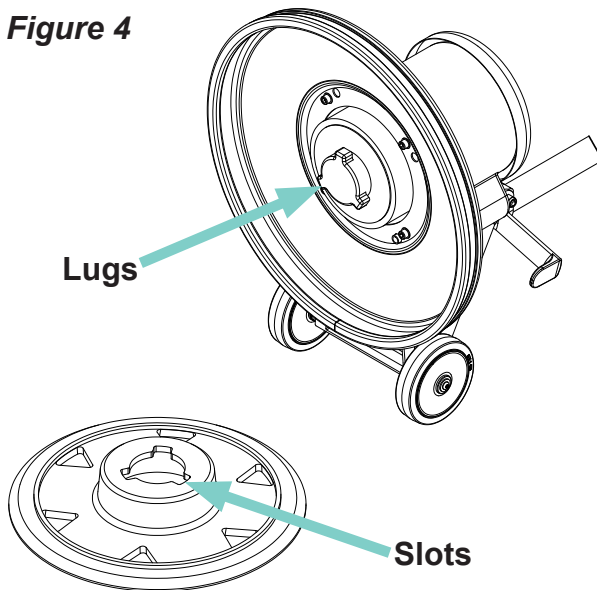
WARNING! Drain the water from the tank before tilting the machine back.

Place the handle in the upright (vertical) position and lock the handle release lever. Tilt the machine back on the transport wheels and let the handle rest on the floor.

Align the lugs with the corresponding slots in the pad driver and turn the pad driver counterclockwise to lock it in place. To remove pad driver, give it a quick hard turn clockwise.

CAUTION! Using the wrong pad, brush, or tooling on this machine can overload the motor.

Figure 4



Operation

1. Unwrap the power cord and plug it into the properly grounded outlet.
2. Pull up on the handle release lever (5). Move the operator handle (7) downward until your arms are almost straight. Push down on the handle release lever (5) to lock it in place.
3. Lift up on the operator handle (7) until the driver is flat against the floor.

WARNING! Be prepared to control the machine as soon as the motor starts. Just a slight up or down movement of the operators handle (7) will make the machine move from side to side. Raise the handle to go right. Lower the handle to go left.

CAUTION! Immediately start moving the machine back and forth. Keep the machine moving while the motor is running to avoid damage to the floor.

4. Hold one of the operator handle grips (1) firmly, push the switch lever safety lock (2) and then compress the switch lever (3) to start the motor.

Note: When the switch levers (3) are released, the machine shuts off immediately.

5. To release water from the water tank, pull up on the water release handle (4). The water will stop flowing once the handle is released.
6. To change the motor speed, use the motor speed switch (8) on the front of the operators handle (7).

After Use

1. Place the operators handle (7) in the upright (vertical) position and unplug the power cord. Wrap the power cord around the operator hand grips (1) and the cord hook (6).
2. Tilt the machine back and remove the pad driver from the machine. **NEVER** store the machine with the pad driver on the machine.
3. If there is any water in the water tank, place the machine over a drain. Using the water release handle (8), drain the water tank.
4. Wipe the entire machine with a clean, damp cloth.
5. Inspect the entire machine and all accessories for damage. Perform any required maintenance or repairs before storage.
6. Store the machine in a clean, dry place with the operator handle (7) locked in the upright position.

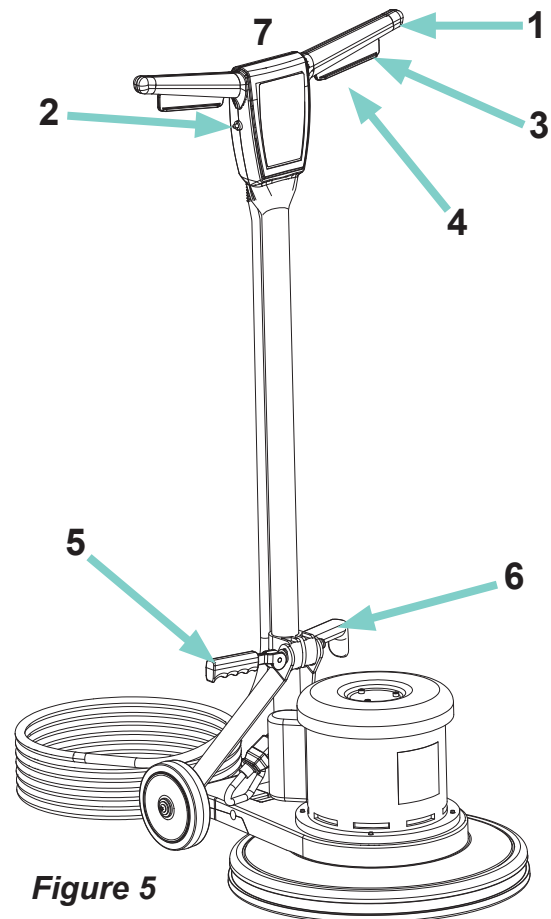


Figure 5

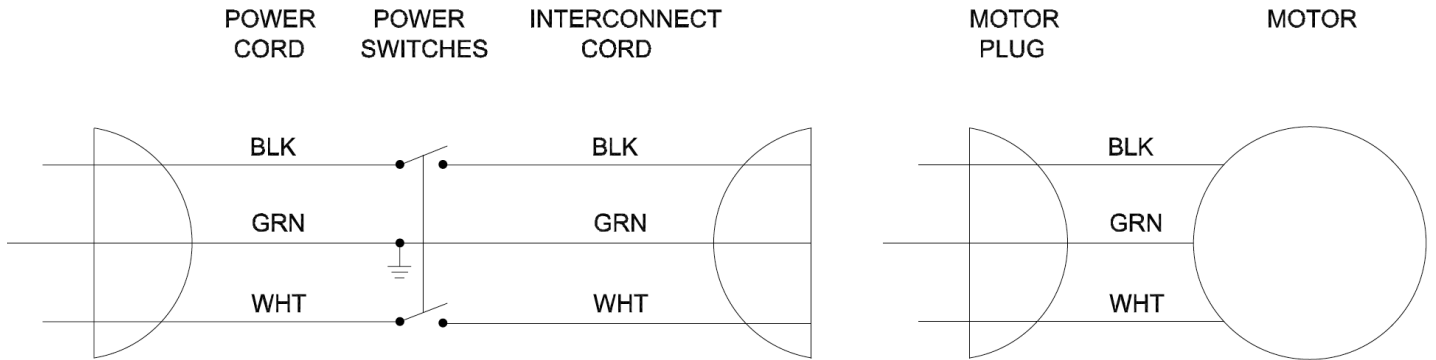
Scheduled Maintenance

| Operation | Interval | | | | |
|--|----------|--------|---------|----------------|----------|
| | Daily | Weekly | Monthly | Every 6 Months | Annually |
| Empty the water tank | ● | | | | |
| Remove driver / pad holder | ● | | | | |
| Check for loose or lost fasteners | ● | | | | |
| Inspect hoses and connections | ● | | | | |
| Inspect driver / pad holder for damage | ● | | | | |
| Clean the machine and accessories | ● | | | | |
| Check the power cord for damage | | ● | | | |
| Check machine wiring for fray or cut | | | ● | | |
| Check the carbon brushes of motor | | | | ● | |

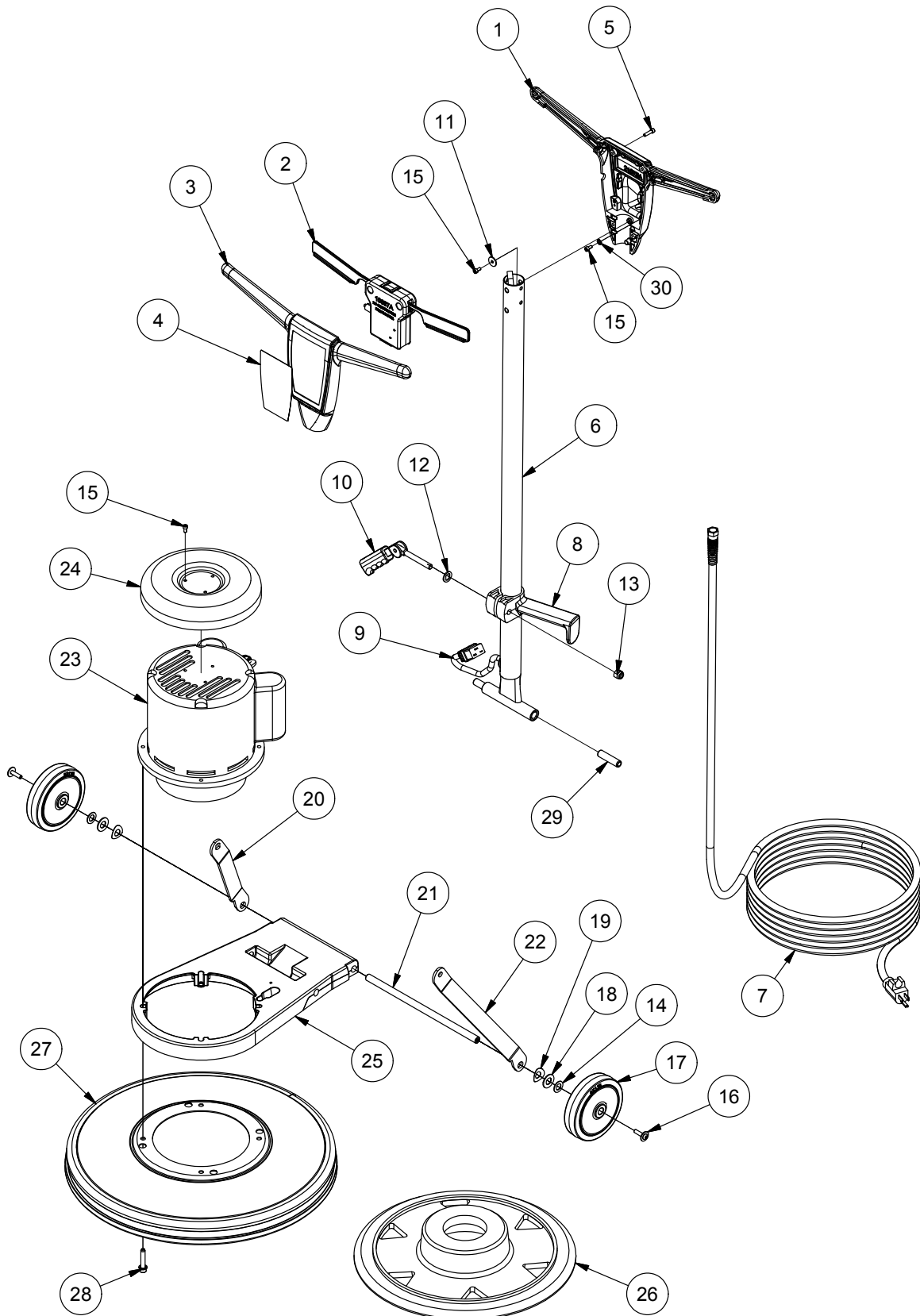
These items must be performed with the proper tools and training.

Machine Troubleshooting

| Problem | Possible Cause | Solution |
|---|---|---|
| Machine will not start | No power | Check the main power supply (building circuit breaker). Check the cord connection at the wall outlet |
| | Switch lever safety lock not depressed | Hold in the switch lever safety lock and then engage switch levers. |
| | Bad connection | Check the motor and cord interlock connections. |
| | Bad motor start capacitor | Contact CleanFreak.com |
| | Defective motor start switch | Contact CleanFreak.com |
| Motor runs sluggish | Low voltage | Using extension cord with wire smaller than 12/3. Replace with a 12/3 extension cord. Using more than one extension cord. Only use one 50ft 12/3 extension cord. |
| | Bad motor run capacitor | Contact CleanFreak.com |
| | Defective handle switch | Contact CleanFreak.com |
| Fuse / circuit breaker repeatedly trips | Low voltage | Eliminate extension cord & locate a power source closer to work site. Have voltage checked by a qualified electrician. |
| | Not on a dedicated circuit | Make sure there is no other items using power on the circuit. |
| | Motor is overloaded | Try a different driver/head that is less aggressive. DO NOT add weight to machine. Remove any excess weight added to machine. |
| | Bad connection | Contact CleanFreak.com |
| | Defective motor | Contact CleanFreak.com |
| Machine wobbles during operation | Defective pad | One side is more dense than the other. Replace pad. |
| | Machine left setting on pad for extended time | Pad has taken "a set". Replace pad. |
| | Warped block on brush or padholder | Replace. |
| | Block not installed properly | Remove and install properly. |



Main Assembly



RF050600

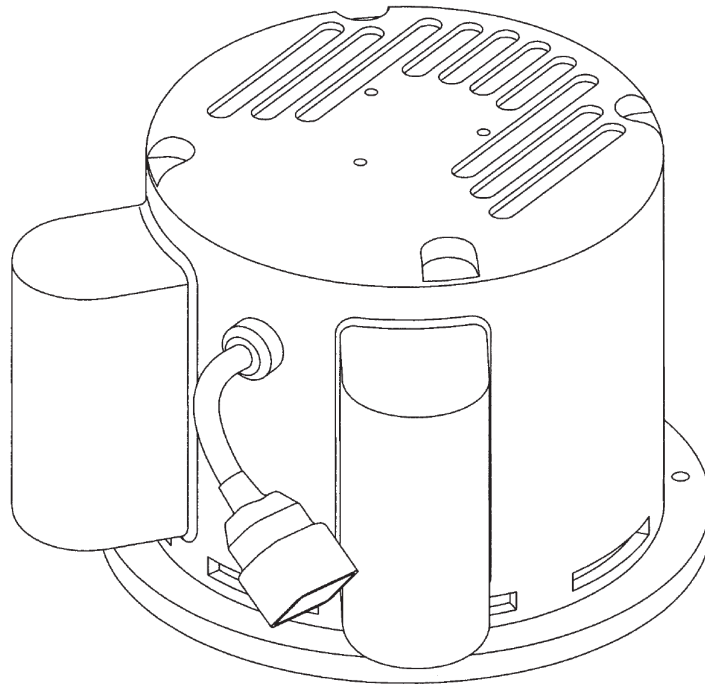
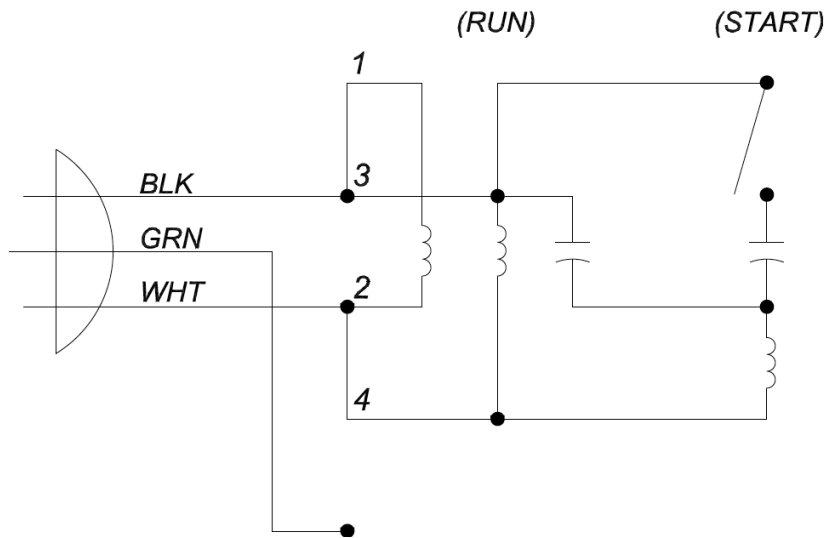
111814

Main Assembly (continued)

| <u>Item</u> | <u>Ref. No.</u> | <u>Description</u> | <u>Qty</u> | <u>Item</u> | <u>Ref. No.</u> | <u>Description</u> | <u>Qty</u> |
|-------------|-----------------|--------------------------|------------|-------------|-----------------|---|------------|
| 1 | 21075A | BACK, HANDLE | 1 | 23A | 53650A | MOTOR, GEARBOX (120V) | 1 |
| 2 | 10687A | MODULE, INTERLOCK | 1 | 24 | 61716A | COVER, DRIP, MOTOR | 1 |
| 3 | 21074A | FRONT, HANDLE | 1 | 25 | 21088A | FRAME, MAIN | 1 |
| 4 | MP523100 | DECAL, PE225FP, HANDLE | 1 | 26A | MP481100 | DRIVER, PAD, 16" | 1 |
| 5 | 80284A | SCREW, #10 X 3/4" | 6 | 26B | MP478400 | DRIVER, PAD, 19" | 1 |
| 6 | 61373A | TUBE, HANDLE | 1 | 27A | 11006A | SHROUD, 17", ASM. | 1 |
| 7A | MP476300 | CORD, POWER, 14/3 X 50FT | 1 | - | 61715A | SHROUD, 17" | 1 |
| 8 | 50781A | CLAMP, HANDLE | 1 | - | 30381A | BUMPER, 17" | 1 |
| 9 | 40789A | CORD, INTERCONNECT | 1 | 27B | MP478000 | SHROUD, 20", ASM. | 1 |
| 10 | 56109699 | CAM, w/ GRIP, ASM. | 1 | - | MP473200 | SHROUD, 20" | 1 |
| 11 | 80291A | WASHER, FLAT, #10 | 1 | - | MP478100 | BUMPER, 20" | 1 |
| 12 | 980349 | WASHER, WEAR | 1 | 28 | 80294A | SCREW, SH, 5/16" X 1-5/8" | 4 |
| 13 | 920342 | NUT, HEX, 3/8" | 1 | 29 | 53833A | PIN, 1/2" X 2" | 2 |
| 14 | 980673 | WASHER, FLAT, 1/2" | 2 | 30 | 980603 | WASHER, EXT TOOTH, #10 | 2 |
| 15 | 80290A | SCREW, #10 X 3/8" | 6 | 31 | MP523200 | DECAL, CLEAN FREAK (ON MOTOR) (NOT SHOWN) | 1 |
| 16 | 80292A | SCREW, 1/4" X 1" | 2 | | | | |
| 17 | 39857A | WHEEL, 5" | 2 | | | | |
| 18 | 980648 | WASHER, 17/32" X 1-1/16" | 2 | | | | |
| 19 | 80295A | WASHER, BOWED | 2 | | | | |
| 20 | 61741A | ARM, LINK, RIGHT | 1 | | | | |
| 21 | 61725A | AXLE | 1 | | | | |
| 22 | 61740A | ARM, LINK, LEFT | 1 | | | | |

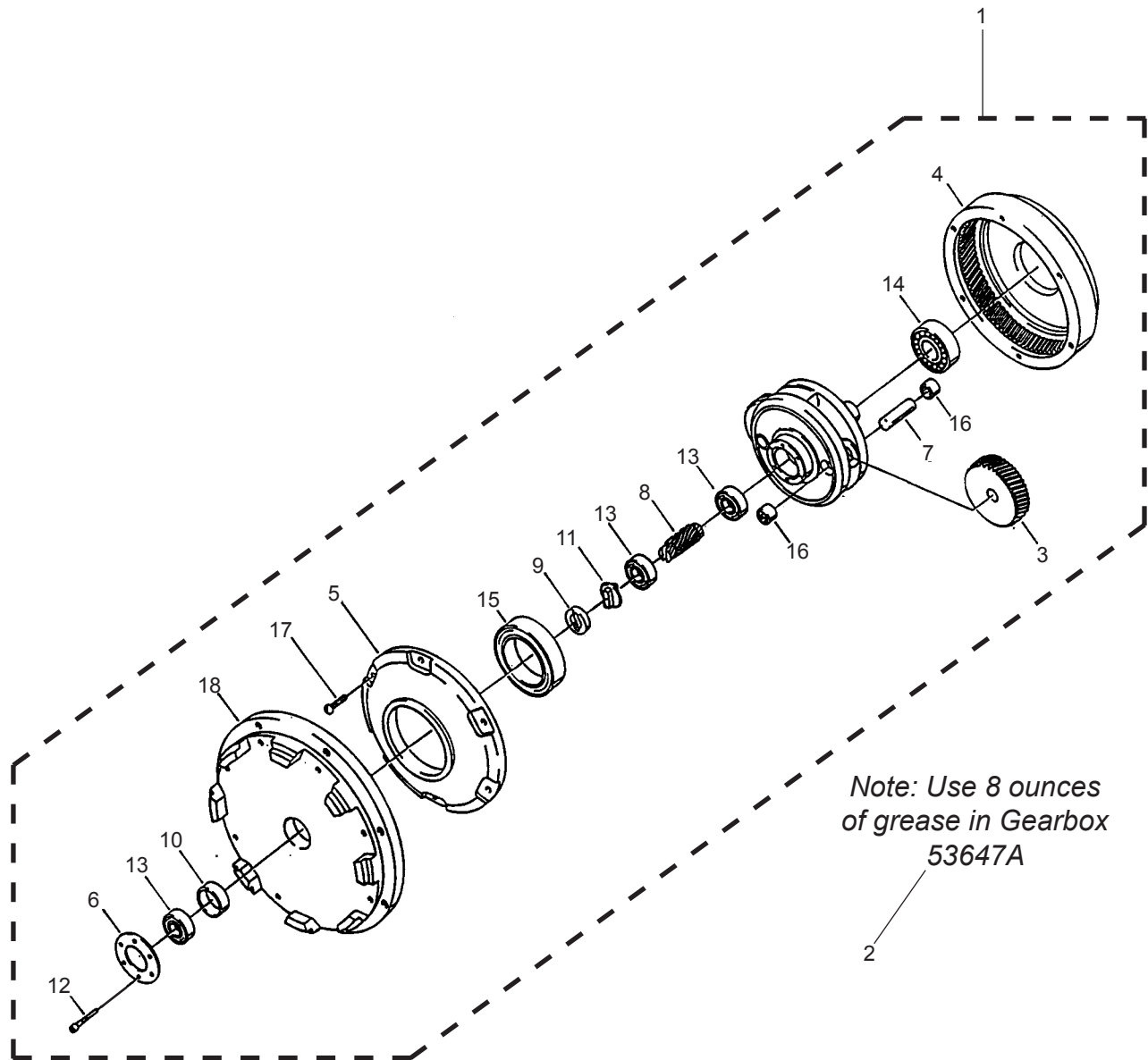
Motor Assembly

ELECTRICAL SCHEMATIC (120V)



| <u>Item</u> | <u>Ref. No.</u> | <u>Description</u> | <u>Qty</u> | <u>Item</u> | <u>Ref. No.</u> | <u>Description</u> | <u>Qty</u> |
|-------------|-----------------|---------------------|------------|-------------|-----------------|--------------------|------------|
| 1 | 40694A | CAPACITOR, START | 1 | 6 | 53848A | PLATE, MOUNTING | 1 |
| 2 | 53191A | CAPACITOR, RUN | 1 | 7 | 40698A | ENDBELL | 1 |
| 3 | 53360A | COVER, CAPACITOR | 2 | 8 | 41053A | CORD, IEC | 1 |
| 4 | 53190A | SWITCH, START | 1 | 9 | 747553 | RELIEF, STRAIN | 1 |
| 5 | 902550 | BEARING, BALL, 6203 | 1 | | | | |

Gearbox Assembly



| <u>Item</u> | <u>Ref. No.</u> | <u>Description</u> | <u>Qty</u> | <u>Item</u> | <u>Ref. No.</u> | <u>Description</u> | <u>Qty</u> |
|-------------|-----------------|--------------------|------------|-------------|-----------------|---------------------|------------|
| 1 | 53646A | GEARBOX, ASM. | 1 | 10 | 58520A | SPACER, SLEEVE | 1 |
| 2 | 53647A | GREASE, TUBE, 14OZ | 1 | 11 | 69195A | COUPLING, SHAFT | 1 |
| 3 | 54408A | GEAR, PLANET | 3 | 12 | 80141A | SCREW, SH, #10 X 1" | 6 |
| 4 | 54856A | GEAR, RING | 1 | 13 | 902606 | BEARING, BALL, 6002 | 3 |
| 5 | 54858A | COVER, GEARBOX | 1 | 14 | 902654 | BEARING, BALL, 6204 | 1 |
| 6 | 56922A | RETAINER, BEARING | 1 | 15 | 902736 | BEARING, BALL, 6010 | 1 |
| 7 | 58312A | SHAFT, PLANET | 3 | 16 | 902737 | BEARING, NEEDLE | 6 |
| 8 | 58313A | GEAR, PINION | 1 | 17 | 84808A | SCREW, #10 X 3/4" | 6 |
| 9 | 58314A | RETAINER, SHAFT | 1 | 18 | 53848A | PLATE, MOUNTING | 1 |

Limited Warranty

225FPCF

TO QUALIFY FOR THIS WARRANTY

- (1) Machine must be registered with CleanFreak at the time of purchase.
- (2) The machine must have been purchased from CleanFreak.
- (3) This warranty extends to the original purchaser only and is not transferable to subsequent owners.

TIME PERIODS

- (1) FIVE (5) YEAR WARRANTY - Motor, shroud, and frame.
- (2) ONE (1) YEAR WARRANTY - For the 225FPCF Warranted to be free from defects in material and workmanship for a period of one (1) year from the date of purchase by the original owners. (See Exclusions.)

EXCLUSIONS (Not Covered by Warranty)

- (1) Parts that fail through normal wear by reason of their characteristics (cords, motor brushes, wheels, pad holder, skirt, or other consumable parts).
- (2) This warranty does not extend to parts affected by misuse, neglect, abuse or improper maintenance. All defective parts must be returned to the distributor for credit.

THE OBLIGATION OF CLEANFREAK

- (1) The obligation of CleanFreak under this warranty is limited to repairing or replacing, at its option, any part which is proven to be defective in material or workmanship under normal use for the applicable period stated above.
- (2) Warranty repairs will be made by CleanFreak or by a service center of its choosing.
- (3) Parts repaired or replaced under this warranty are warranted only during the balance of the original warranty period. All defective parts replaced under these warranties become the property of CleanFreak.

WARRANTY SERVICE

To obtain warranty service, contact CleanFreak at CleanFreak.com or 1-888-722-5508 or 1-920-882-8453.

DISCLAIMER OF CONSEQUENTIAL

CLEANFREAK DISCLAIMS ANY RESPONSIBILITY FOR LOSS OF USER TIME OF CLEANFREAK MACHINE OR ANY OTHER INCIDENTAL OR CONSEQUENTIAL DAMAGE EXCEPT AS STATED IN THE WARRANTY APPLICABLE TO EACH MACHINE. EXCEPT AS STATED IN SUCH WARRANTIES, THE COMPANY DOES NOT OTHERWISE WARRANT ANY MACHINE AND NO WARRANTY, EXPRESS, IMPLIED OR STATUTORY IS MADE BY THE COMPANY.



CleanFreak

3900 N. Providence Rd
Appleton, WI 54913
www.cleanfreak.com

1-888-722-5508
1-920-882-8453