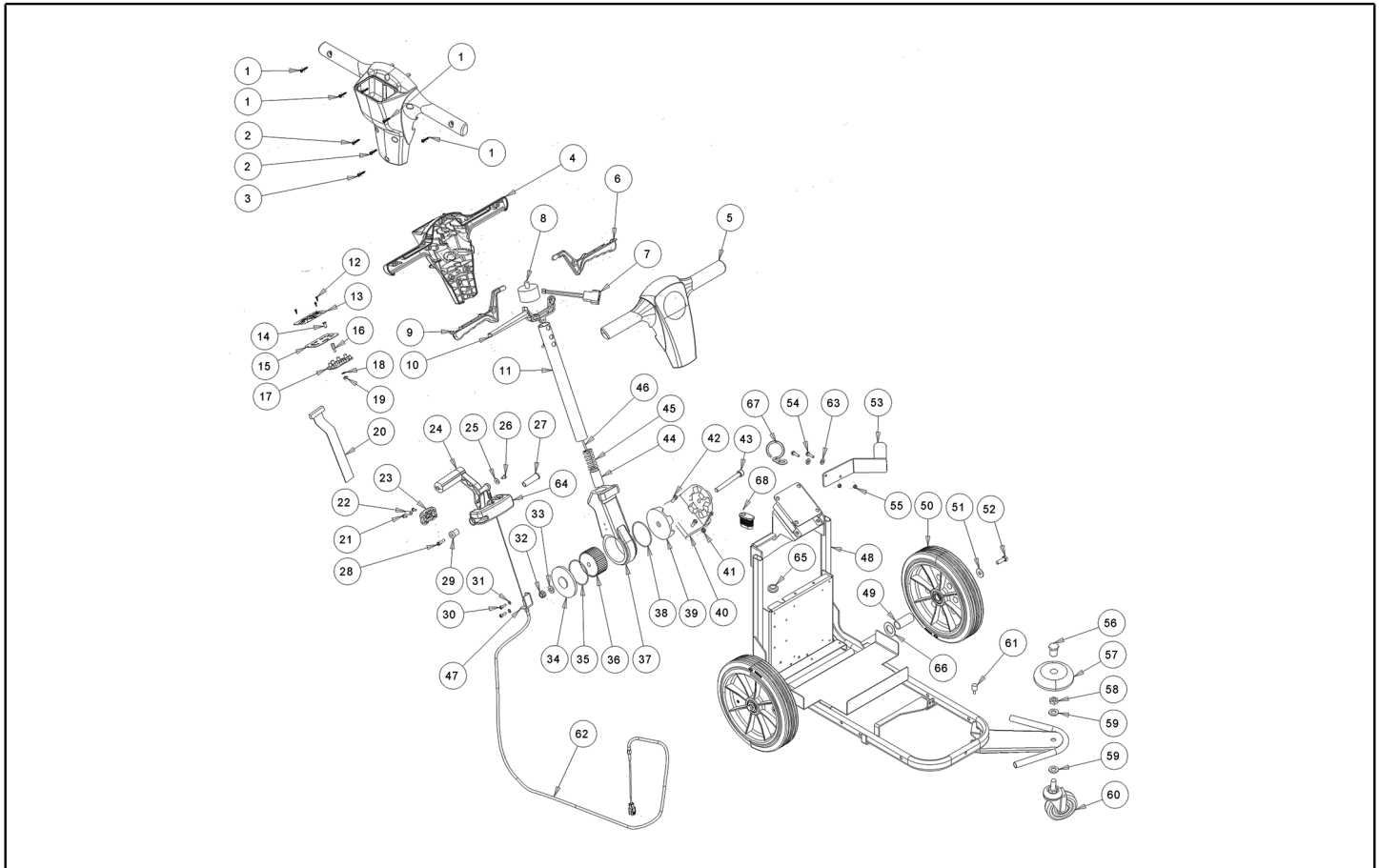
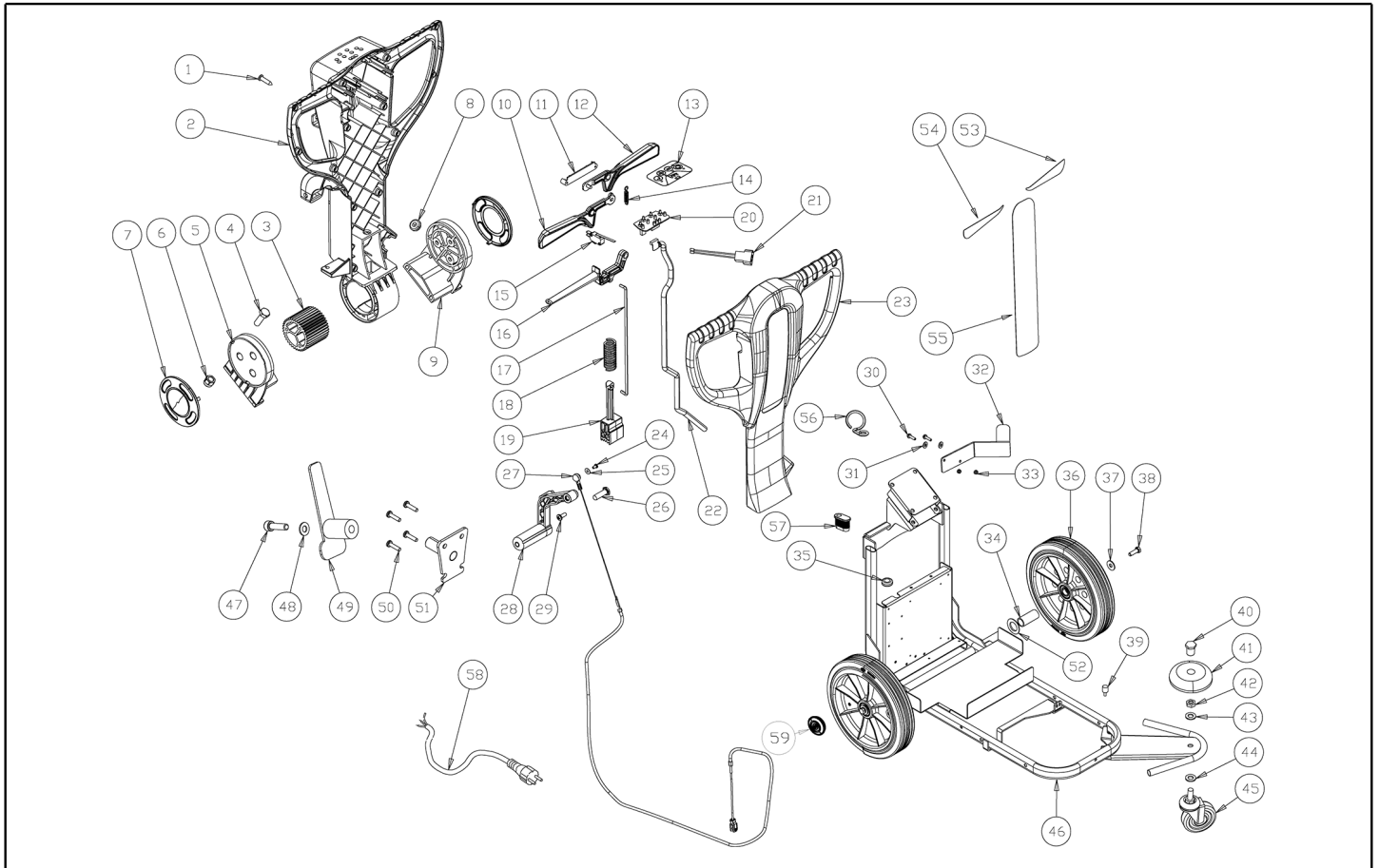


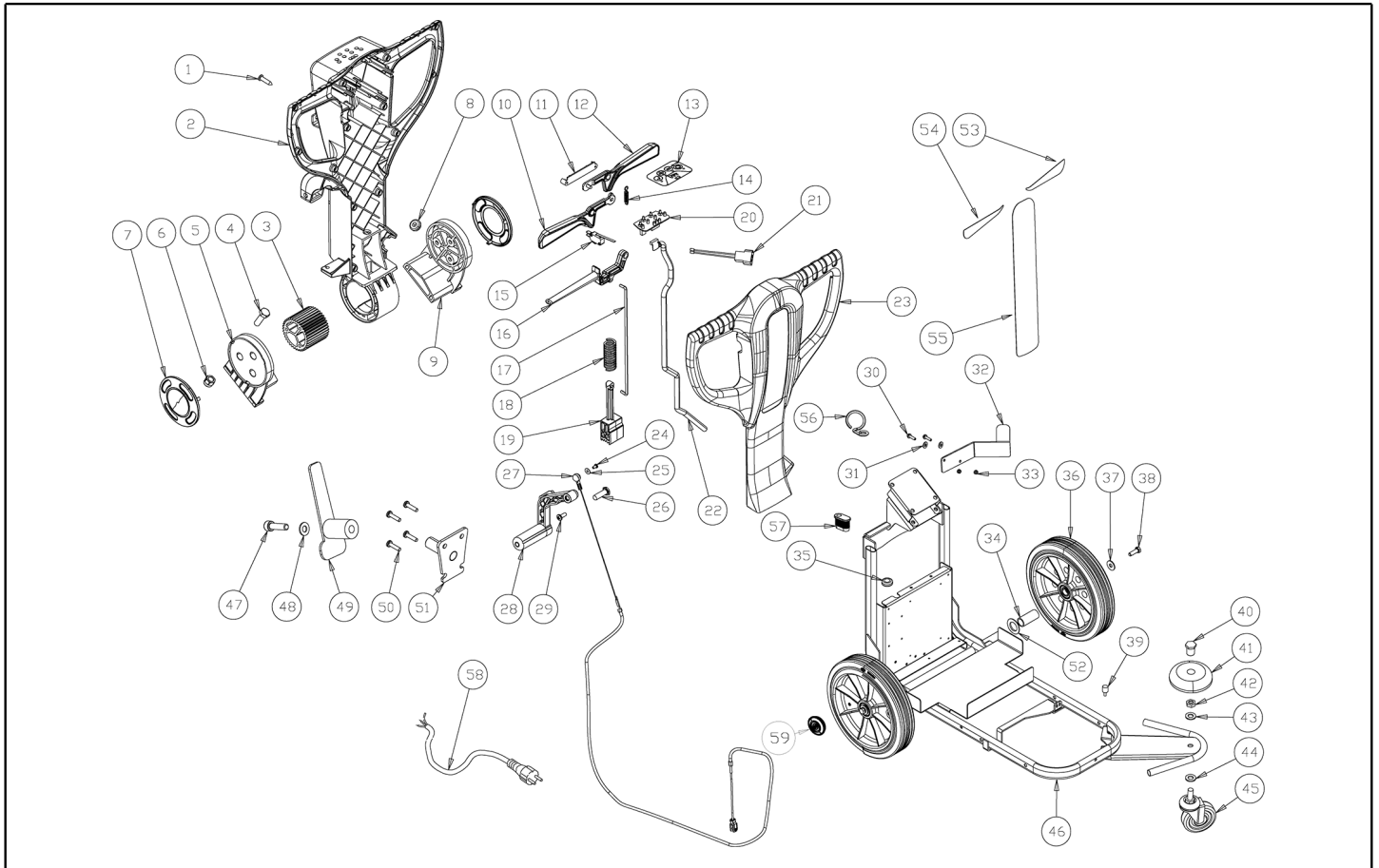
Ref. K	Part n.	Part n. 2	Description	Quantity	Validity		Price
					From	To	
0001	VTVT01371		SCREW 4,8X19	4,00			--
0002	VTVT01372		SCREW 4,8X25	2,00			--
0003	VTVT01373		SCREW 4,8X38	1,00			--
0004	MPVR05837		HANDLE REAR CT15-CT30	1,00			--
0005	MPVR05486		CRANKCASE -	1,00			--
0006	MPVR05490		LEVER SWITCH ACTIVATION LEFT	1,00			--
0007	MECB01273		WIRING	1,00			--
0008	MERL00013		SWITCH -	1,00			--
0009	MPVR05490		LEVER SWITCH ACTIVATION LEFT	1,00			--
0010	MPVR05488		LEVER HANDLE ADJUSTMENT	1,00			--
0011	LAFN09338		HOSE MANICO	1,00			--
0012	VTVT00800		SCREW TC 4X12 ZN	3,00			--
0013	ETET01699		LABEL DASHBOARD CT15-30 CABLE	1,00			--
0014	VTVT01377		SCREW TSP-TC M 3X5 UNI7688 INX	4,00			--
0015	LAFN08891		BRACKET -	1,00			--
0016	VTVR00481		INSERT FILETTATO M6	4,00			--
0017	MECE00537		BOARD LOGIC CT15-CT30 230V	1,00			--
0018	VTRS00268		WASHER D.3	4,00			--
0019	VTDD21115		NUT M 3 INOX	4,00			--
0020	MECB01257		CABLE RIBBON CT15	1,00			--
0021	VTVT01375		SCREW 5X22	2,00			--
0022	MPVR05925		HOSE COLLAR CT15	1,00			--
0023	MPVR05925		HOSE COLLAR CT15	1,00			--
0024	MPVR49942		LEVER SQUEEGEE LIFTING PP	1,00			--
0025	VTRS00251		WASHER 4-16 INOX A2	1,00			--
0026	VTVT00800		SCREW TC 4X12 ZN	1,00			--
0027	MPVR05927		PIN CT15	1,00			--
0028	VTVT01374		SCREW 5X40	1,00			--
0029	MPVR05928		BUSHING CT15	1,00			--
0030	VTVT17639		SCREW TCCE UNI 5931 5X10 ZB	2,00			--
0031	VTRS08013		WASHER D. 5 GRW	2,00			--
0032	VTDD00042		NUT AUT.M10 UNI7474	1,00			--
0033	VTRS00505		WASHER D.10 UNI 6592	1,00			--
0034	LAFN07476		COVER -	1,00			--
0035	GUGO00437		O-RING -	1,00			--
0036	MTIG00125		GEAR	1,00			--
0037	LAFN07475		SUPPORT -	1,00			--
0038	GUGO00437		O-RING -	1,00			--
0039	LAFN07477		COVER -	1,00			--
0040	LAFN07478		SUPPORT -	1,00			--
0041	VTDD00124		NUT M8 DIN985	4,00			--
0042	VTVT29810		SCREW TCCE UNI 5931 8X20 ZB	4,00			--
0043	VTVT01205		SCREW -	1,00			--
0044	MTIG00126		GEAR	1,00			--



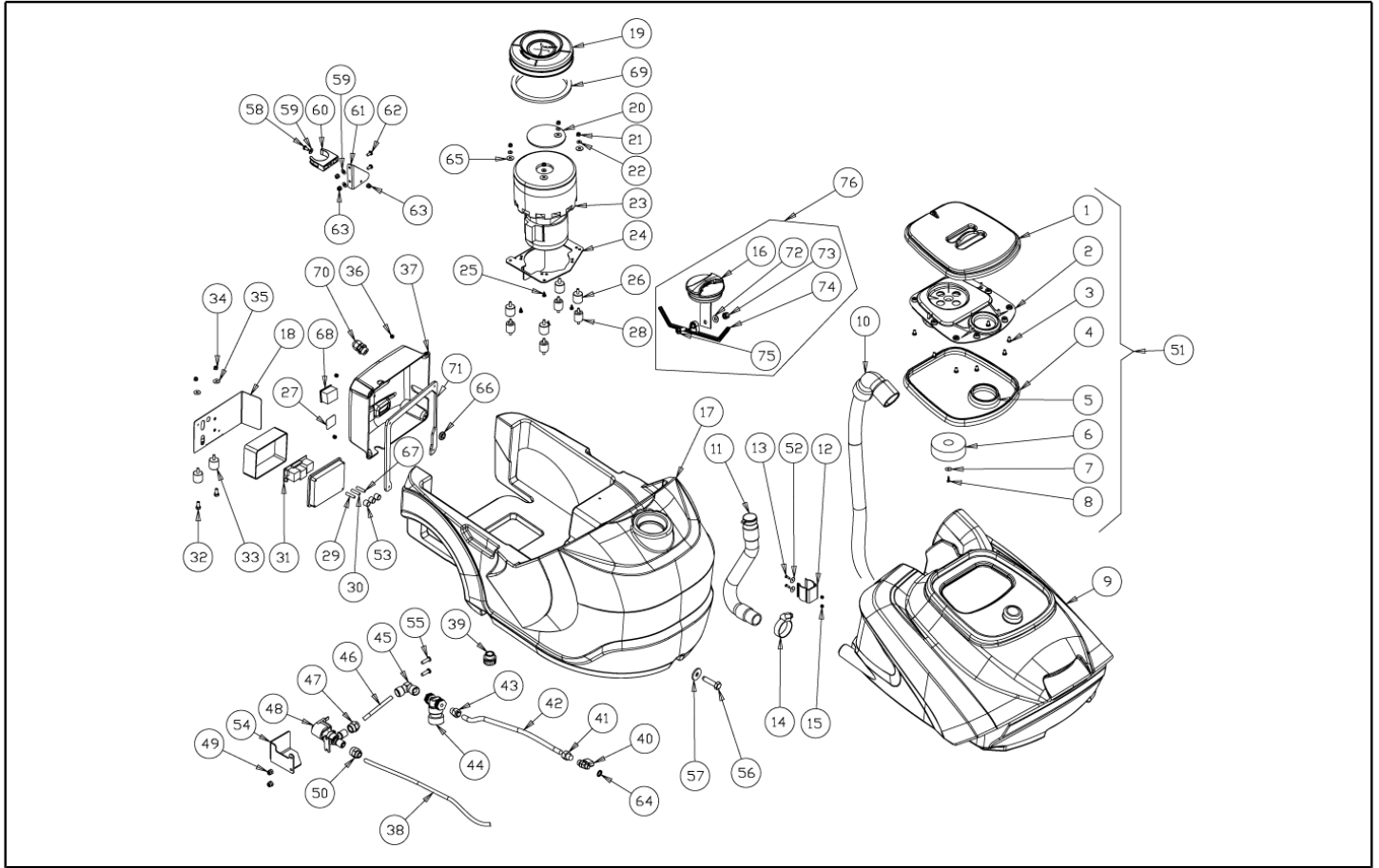
Ref. K	Part n.	Part n. 2	Description	Quantity	Validity		Price
					From	To	
0045	MLML00319		SPRING -	1,00			--
0046	LAFN07917		SUPPORT -	1,00			--
0047	LAFN08898		BRACKET -	1,00			--
0048	LAFN07901		FRAME -	1,00			--
0049	LAFN09154		BUSHING CT30	2,00		22/06/2016	--
0049	LAFN11016		SPACER -	2,00	23/06/2016		--
0050	RTRT00537		WHEEL GRAY d.250 CT15-30-45	2,00			--
0051	VTRS00512		WASHER D. 8 X24 ZC.	2,00			--
0052	VTVT01110		SCREW TE 8X16 UNI5739	2,00			--
0053	LAFN09171		BRACKET -	1,00			--
0054	VTVT15143		SCREW TE 6X16 UNI5739	2,00			--
0055	VTDD01694		NUT M6 INOX	2,00			--
0056	LAFN09172		BUSHING -	1,00			--
0057	MPVR05965		WHEEL SIDE BUMPER CT30-45	1,00			--
0058	VTDD00502		NUT M12	1,00			--
0059	VTRS15978		WASHER D.12X24 UNI 6592 INX	2,00		19/02/2015	--
0059	VTRS09142		WASHER UNI 6593 12X36X2,5	2,00	20/02/2015		--
0060	RTRT00544		WHEEL D.80MXHC	1,00		24/01/2017	--
0060	RTRT00632		WHEEL 080 MXHC M12X30 2K SUPP.6	1,00	25/01/2017		--
0061	MPVR05967		CAP -	1,00			--
0062	CMCV00453		CABLE SQUEEGEE LIFT CT15	1,00			--
0063	VTRS00245		WASHER D.6 UNI 6592 INOX	2,00			--
0064	MPVR05926		SUPPORT CT15	1,00			--
0066	VTRS00364		THICKNESS 18X25X1	4,00	04/09/2015	22/06/2016	--
0067	LAFN11049		HOOK -	1,00	14/06/2016		--
0068	GUGO00508		GASKET 30X15	1,00	04/04/2017		--



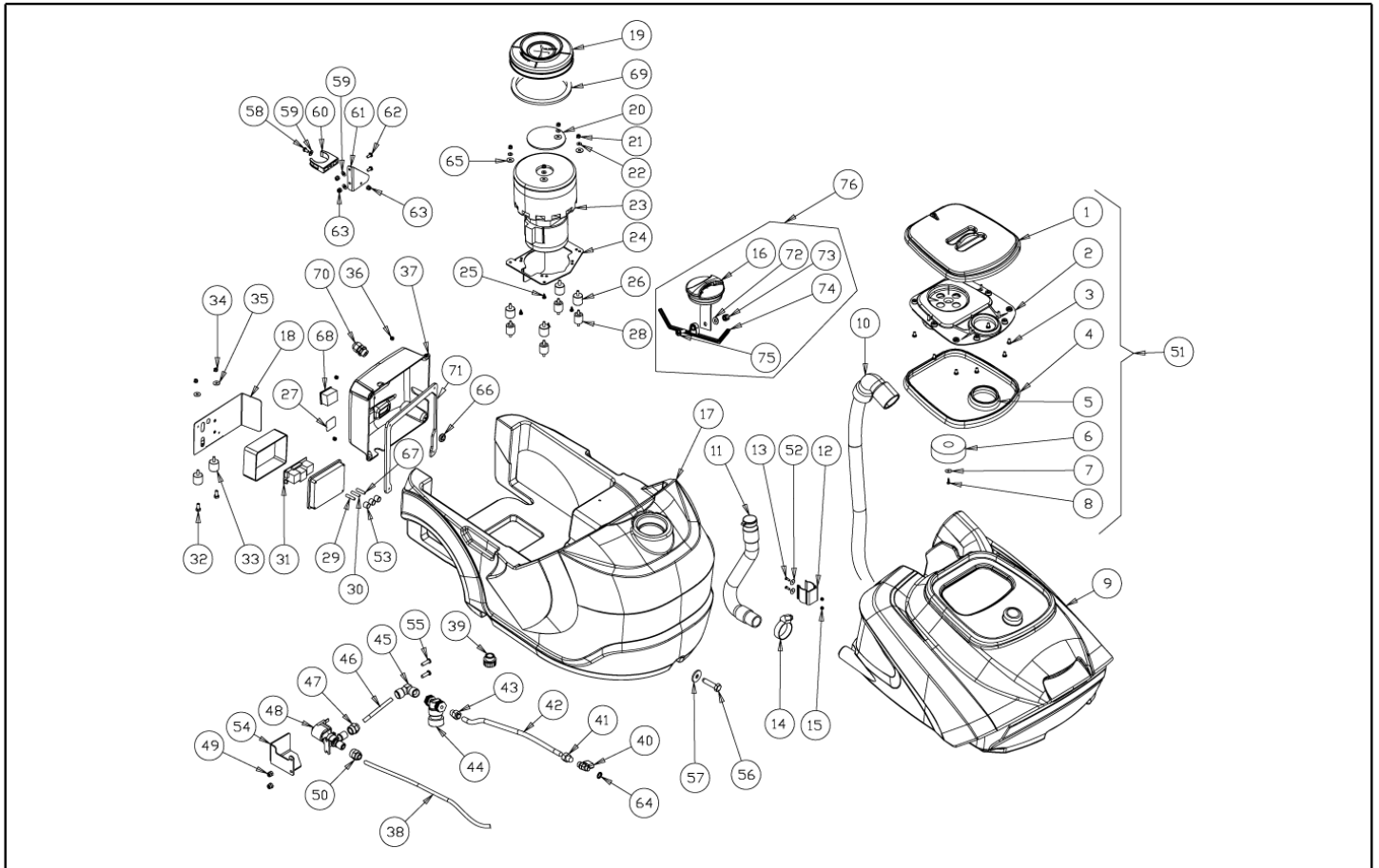
Ref. K	Part n.	Part n. 2	Description	Quantity	Validity		Price
					From	To	
0001	VTVT01371		SCREW 4,8X19	14,00			--
0002	MPVR06047		SHELL REAR HANDLE CT15-30-45	1,00			--
0003	MPVR06056		GEAR -	1,00			--
0004	VTVT75724		SCREW TBCE ISO 7380 8X22 ZB	4,00			--
0005	MPVR06053		SHELL DX	1,00			--
0006	VTDD00124		NUT M8 DIN985	4,00			--
0007	MPVR06055		COVER -	2,00			--
0008	MPVR06057		FAIR-LEAD HANDLE CT15	1,00			--
0009	MPVR06054		SHELL SX	1,00			--
0010	MPVR06049		LEVER DX	1,00			--
0011	MPVR06298		SUPPORT ELECTRONIC CARD	1,00			--
0012	MPVR06048		LEVER SX	1,00			--
0013	ETET01781		LABEL -	1,00			--
0014	MLML00336		SPRING -	1,00			--
0015	MECI36393		MICROSWITCH ACTIVATION TRCTN.	1,00			--
0016	MPVR06050		LEVER ADJUSTMENT	1,00			--
0017	KTRI02273		KIT HANDLE ADJUST ROD	1,00			--
0018	MLML00337		SPRING -	1,00			--
0019	MPVR06052		HANDLE SUPPORT	1,00			--
0020	MECE00537		BOARD LOGIC CT15-CT30 230V	1,00			--
0021	MECB01324		WIRING PUSH BOTTON CT45 C	1,00			--
0022	MECB01257		CABLE RIBBON CT15	1,00		25/11/2015	--
0022	MECB01396		WIRING RIBBON ROUND FLAT CT15-30	1,00	26/11/2015		--
0023	MPVR06046		CRANKCASE NEW HANDLE FRONT 15-30-45	1,00			--
0024	VTVT00800		SCREW TC 4X12 ZN	1,00			--
0025	VTRS00251		WASHER 4-16 INOX A2	1,00			--
0026	LAFN09248		PIN -	1,00			--
0027	CMCV00463		CABLE LIFTING SQUEEGEE CT15-30	1,00			--
0028	MPVR49942		LEVER SQUEEGEE LIFTING PP	1,00			--
0029	VTVT00796		SCREW TC 6X12	1,00			--
0030	VTVT15143		SCREW TE 6X16 UNI5739	2,00			--
0031	VTRS00245		WASHER D.6 UNI 6592 INOX	2,00			--
0032	LAFN09171		BRACKET -	1,00			--
0033	VTDD01694		NUT M6 INOX	2,00			--
0034	LAFN09154		BUSHING CT30	2,00		22/06/2016	--
0034	LAFN11016		SPACER -	2,00	23/06/2016		--
0035	MEVR00686		FAIR-LEAD DIAMETER 15.5	1,00			--
0036	RTRT00537		WHEEL GRAY d.250 CT15-30-45	2,00			--
0037	VTRS00512		WASHER D. 8 X24 ZC.	2,00			--
0038	VTVT01110		SCREW TE 8X16 UNI5739	2,00			--
0039	MPVR05967		CAP -	1,00			--
0040	LAFN09172		BUSHING -	1,00			--
0041	MPVR05965		WHEEL SIDE BUMPER CT30-45	1,00			--
0042	VTDD00502		NUT M12	1,00			--



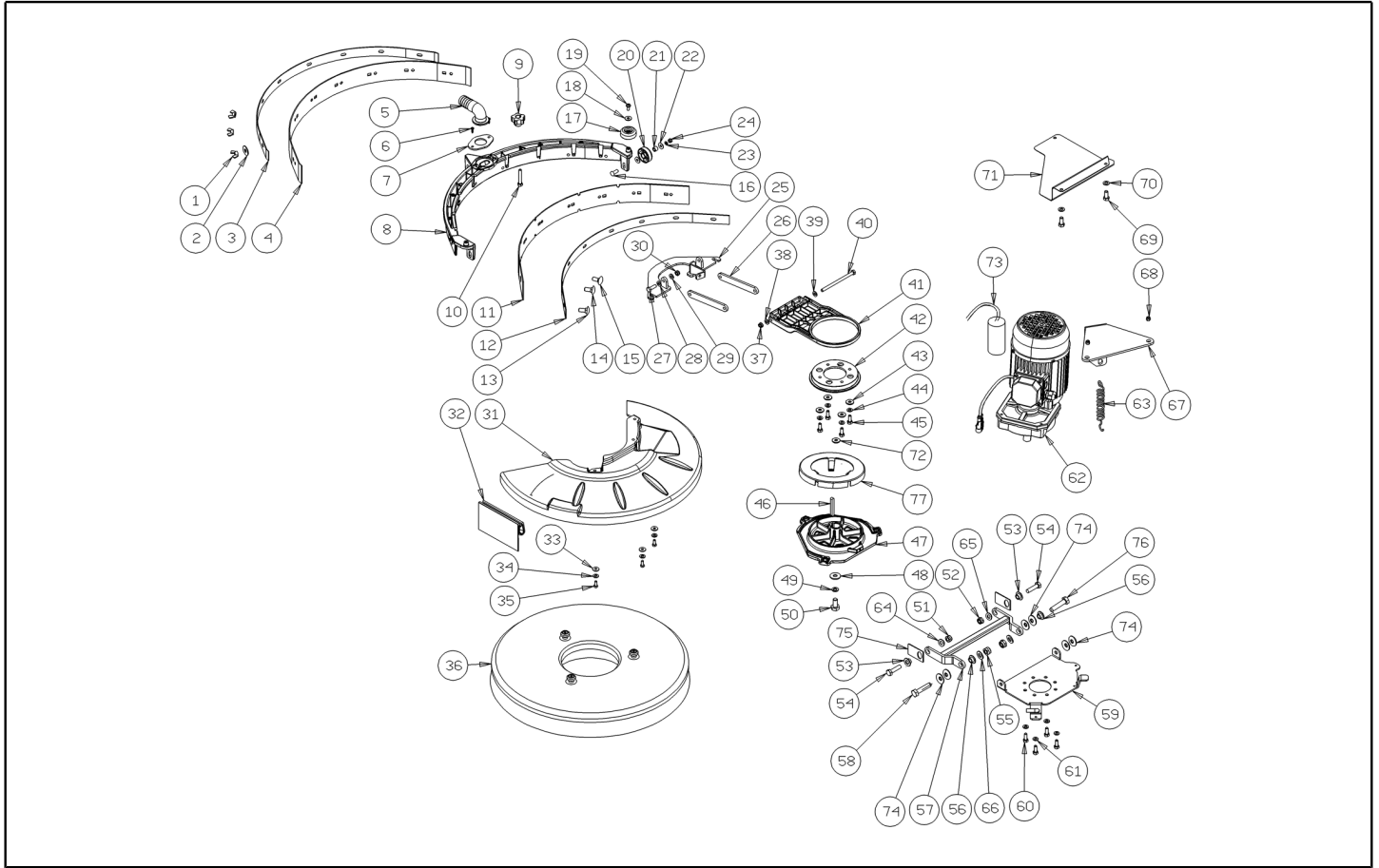
Ref. K	Part n.	Part n. 2	Description	Quantity	Validity		Price
					From	To	
0043	VTRS09142		WASHER UNI 6593 12X36X2,5	1,00	20/02/2015		--
0043	VTRS15978		WASHER D.12X24 UNI 6592 INX	1,00		19/02/2015	--
0044	VTRS09142		WASHER UNI 6593 12X36X2,5	1,00	20/02/2015		--
0044	VTRS15978		WASHER D.12X24 UNI 6592 INX	1,00		19/02/2015	--
0045	RTRT00544		WHEEL D.80MXHC	1,00		24/01/2017	--
0045	RTRT00632		WHEEL 080 MXHC M12X30 2K SUPP.6	1,00	25/01/2017		--
0046	LAFN07901		FRAME -	1,00			--
0047	VTVT63035		SCREW TCEI M8X25 BRUNITA	1,00			--
0048	VTRS00230		WASHER D. 8	1,00			--
0049	MPVR34714		CABLE SUPPORT E 350	1,00			--
0050	VTVT48694		SCREW TCB TC 5 X12 UNI 9707 TZ	4,00			--
0051	LAFN09222		BRACKET -	1,00			--
0052	VTRS00364		THICKNESS 18X25X1	4,00	04/09/2015	22/06/2016	--
0053	ETET01770		LABEL CT15 GREEN	1,00			--
0053	ETET01773		LABEL CT15 RED	1,00			--
0053	ETET01775		LABEL CT15 BLUE	1,00			--
0054	ETET01770		LABEL CT15 GREEN	1,00			--
0054	ETET01773		LABEL CT15 RED	1,00			--
0054	ETET01775		LABEL CT15 BLUE	1,00			--
0055	ETET01769		LABEL CT15 GREEN	1,00			--
0055	ETET01772		LABEL CT15 RED	1,00			--
0055	ETET01774		LABEL CT15 BLUE	1,00			--
0056	LAFN11049		HOOK -	1,00	29/04/2016		--
0057	GUGO00508		GASKET 30X15	1,00	04/04/2017		--
0058	MECB01284		WIRING EXTENSION 15MT CT15 US	1,00			--
0059	MPVR11199		CAP G48	2,00			--



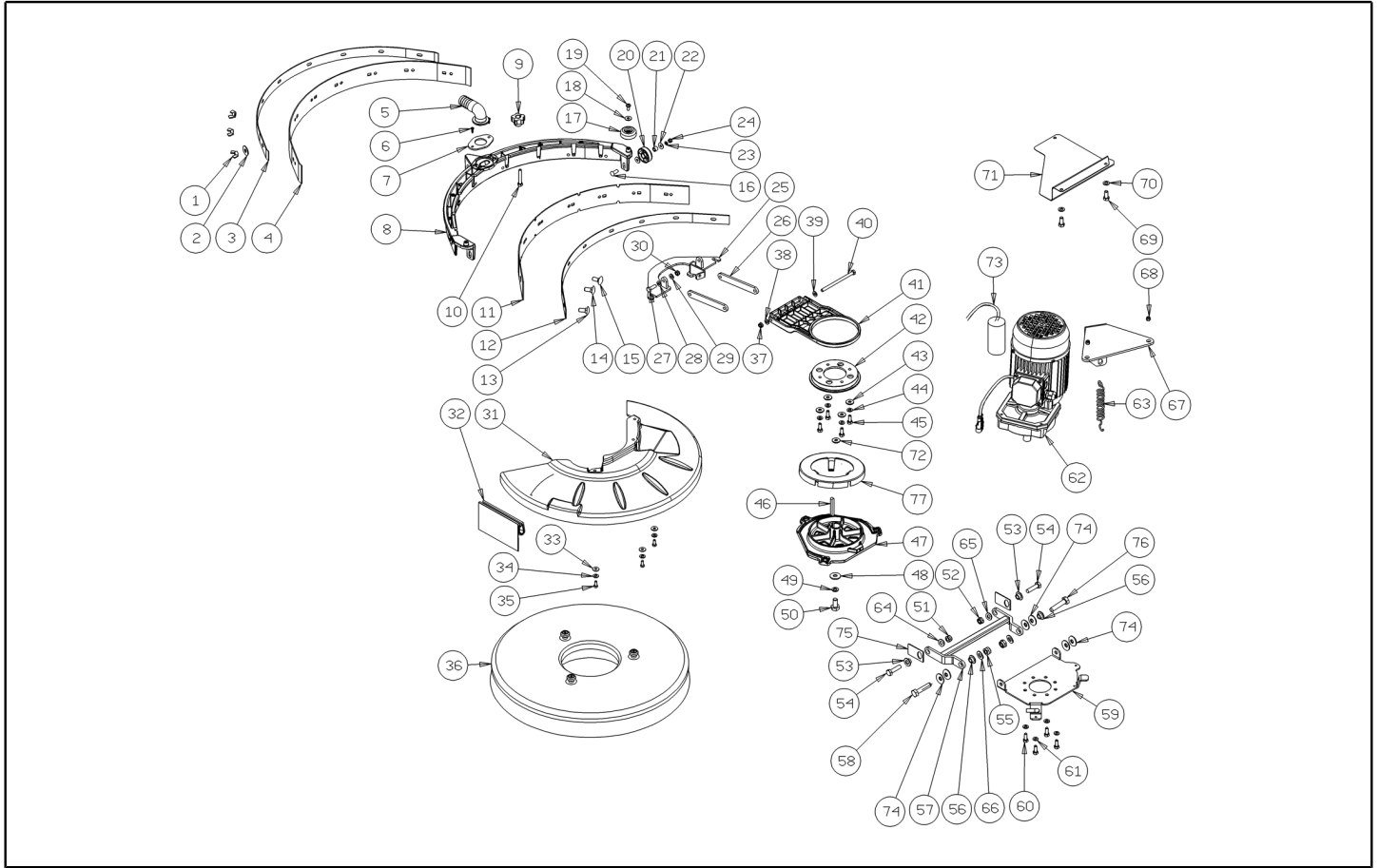
Ref. K	Part n.	Part n. 2	Description	Quantity	Validity		Price
					From	To	
0001	MPVR05825		COVER -	1,00			--
0002	MPVR05826		COVER INNER LID TANK CT15-30	1,00			--
0003	VTVT01694		SCREW SELF TAPPING 4.8X9.5 SUS	8,00			--
0004	GUVR00306		GASKET RECOVERY TANK LID CT15	1,00			--
0005	GUVR00307		GASKET CT15-30-45 LID,SHORT	1,00			--
0006	MPVR05836		FLOATER RECOVERY TANK LID	1,00			--
0007	VTRS00573		WASHER 30x6x3	1,00			--
0008	VTVT48694		SCREW TCB TC 5 X12 UNI 9707 TZ	1,00			--
0009	MPVR05994		TANK -	1,00			--
0010	KTRI04697		KIT REPLACEMENT TBFX00351	1,00			--
0011	TBFX00350		TUBE HOSE DRAIN CT30	1,00			--
0012	MPVR46988		CLIP FIXATION DRAIN HOSE	1,00			--
0013	VTVT29884		SCREW TE UNI 5739 4X16 ZB	2,00			--
0014	FSVR00002		CLAMP EKOFLEX 9 23-35	1,00		08/12/2014	--
0014	FSVR00095		CLAMP 30-45	1,00	09/12/2014		--
0015	VTDD04369		NUT M 4 TEF UNI 7473	2,00			--
0016	MPVR05188		CAP SOLUTION TANK	1,00			--
0017	MPVR05993		TANK -	1,00			--
0018	LAFN08980		PLATE -	1,00			--
0019	GUGO00444		GASKET -	1,00		22/09/2016	--
0019	GUGO00498		GASKET	1,00	23/09/2016	17/03/2019	--
0019	GUGO00599		GASKET	1,00	18/03/2019		--
0020	LAFN05830		FILTER VAC.MOTOR SUS	1,00			--
0021	VTDD07727		NUT M 5 INOX	4,00			--
0022	VTRS15908		WASHER D. 5 INX GRW UNI 1751	4,00			--
0023	MOMO00247		MOTOR 115V	1,00			--
0024	LAFN08894		PLATE -	1,00		20/03/2013	--
0024	LAFN08062		AXLE -	1,00	21/03/2013		--
0025	VTVT48694		SCREW TCB TC 5 X12 UNI 9707 TZ	4,00			--
0026	LAFN08967		SPACER CT15-30	4,00			--
0027	ETET01692		LABEL -	2,00		20/02/2018	--
0027	MPVR11195		CAP -	1,00	21/02/2018		--
0028	ABGO00052		VIBRATION DAMP. -	4,00			--
0029	MEVR02053		FUSE 16A	1,00		20/02/2018	--
0029	MEVR02090		FUSE FUSE 6,3x32 F 16A GLASS	1,00	21/02/2018		--
0030	MEVR01406		FUSE D. 6.3X32 10A T	1,00			--
0031	MECE00559		BOARD RELAY CT15-CT30 115V	1,00			--
0032	VTVT01300		SCREW TE M5X12 INOX	2,00			--
0033	LAFN08967		SPACER CT15-30	2,00			--
0034	VTDD01693		NUT M 5 INX	2,00			--
0035	VTRS13750		WASHER D. 5X14 INX	2,00			--
0036	VTDD04368		NUT M 4 ZIN UNI 5588	4,00			--
0037	MPVR05915		COVER -	1,00		21/07/2014	--
0037	MPVR06234		COVER CT30	1,00	22/07/2014		--



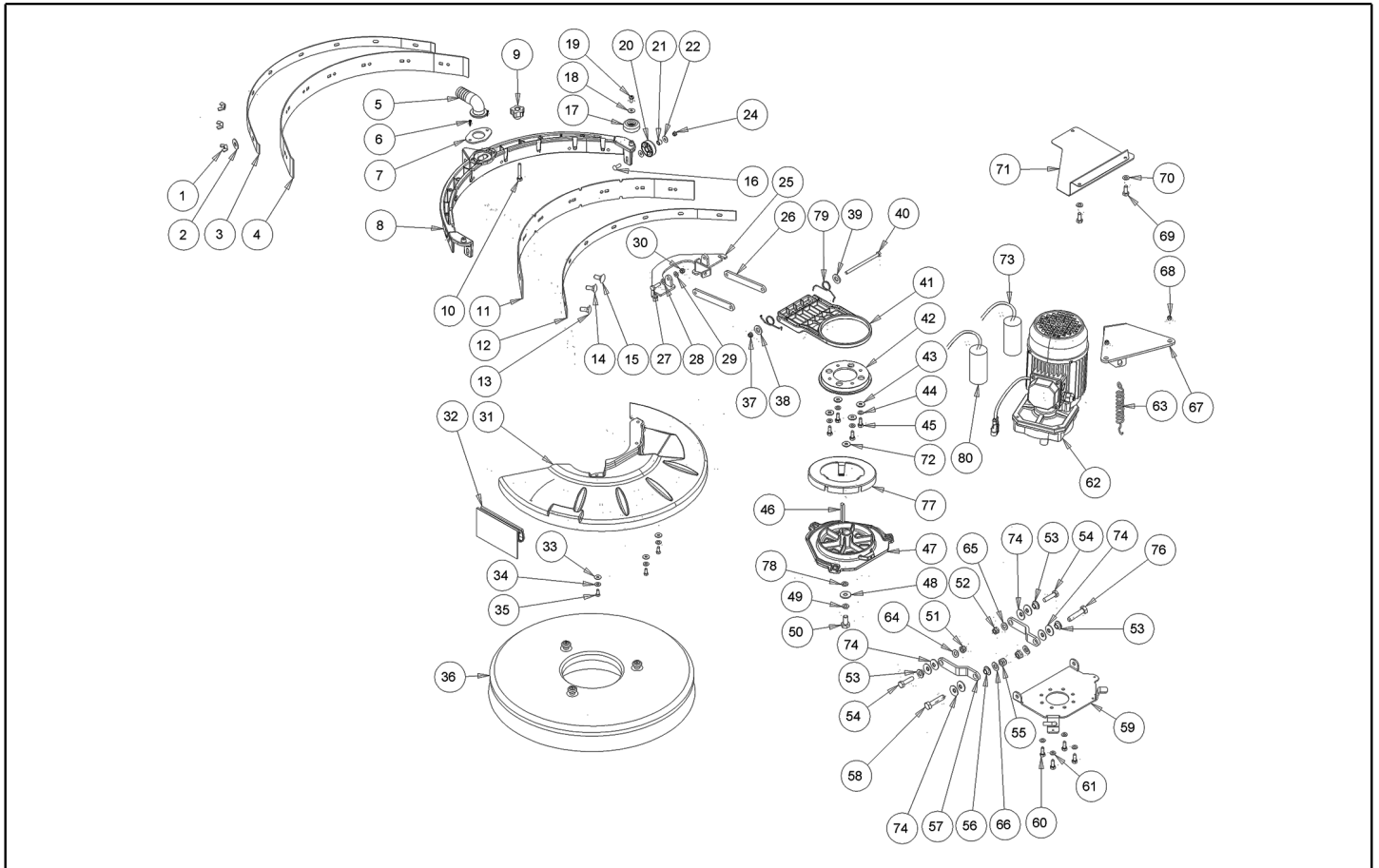
Ref. K	Part n.	Part n. 2	Description	Quantity	Validity		Price
					From	To	
0038	TBBP00481		HOSE PUR-ELASTOLAN 98Sh 10x8	0,48			--
0039	MPVR08003		CAP	1,00		01/11/2016	--
0039	MPVR10774		CAP 1/2"	1,00	02/11/2016		--
0040	RCGR00081		VALVE -	1,00			--
0041	RCVR00770		CONNECTOR 1/8	1,00			--
0042	TBBP00481		HOSE PUR-ELASTOLAN 98Sh 10x8	0,32			--
0043	RCVR00771		CONNECTOR 1/4	1,00			--
0044	FTAC00042		FILTER -	1,00		28/02/2012	--
0044	FTAC00044		FILTER CT15-CT30	1,00	29/02/2012	13/05/2018	--
0044	FTAC00075		FILTER COMPLETE CT15-30-45 P2,3	1,00	14/05/2018		--
0045	RCVR00773		CONNECTOR 1/4	1,00			--
0046	TBBP00481		HOSE PUR-ELASTOLAN 98Sh 10x8	0,20			--
0047	RCVR00772		CONNECTOR 1/4	1,00			--
0048	PMVR01990		SOLENOID VALVE CT15	1,00			--
0049	VTVT48694		SCREW TCB TC 5 X12 UNI 9707 TZ	2,00		22/05/2013	--
0049	VTDD00055		NUT M 4 ATB A2	2,00	23/05/2013		--
0050	RCVR00772		CONNECTOR 1/4	1,00			--
0051	KTRIO1989	KTRIO1989	CT15 DIRTY WATER TOP LID	1,00			--
0052	VTRS05904		WASHER UNI 6592 4X16 ZB	2,00			--
0053	MEVR02091		FUSE-HOLDER -	2,00			--
0054	LAFN07948		PROTECTION SOLENOID VALVE	1,00	23/05/2013		--
0055	VTVT15924		SCREW M4X16 UNI7687	2,00	23/05/2013		--
0056	VTVT01376		SCREW TE M 5X 35 UNI 5739	1,00			--
0057	VTRS13750		WASHER D. 5X14 INX	1,00			--
0058	VTVT15924		SCREW M4X16 UNI7687	1,00	10/09/2014		--
0059	VTRS00515		WASHER D. 4 INX	3,00	10/09/2014		--
0060	MPVR05841		CLIP -	1,00	10/09/2014		--
0061	LAFN09354		BRACKET CLIP SUPPORT	1,00	10/09/2014		--
0062	VTVT15965		SCREW TCB-TC 4X12 UNI7687 INX	2,00	10/09/2014		--
0063	VTDD15925		NUT M 4 INX+ZN	3,00	10/09/2014		--
0064	GUGO03500		O-RING D. 6.75 X 1.78 NBR 70SH	1,00	22/04/2015		--
0065	VTRS13750		WASHER D. 5X14 INX	4,00	12/06/2015		--
0066	MEVR02113		FAIR-LEAD	1,00	24/02/2016		--
0067	MEVR02393		FUSE 6,3x32 T 6.3A 250V	1,00	21/02/2018		--
0068	MECI00589		SWITCH ROCKER 16A 250V IP65	1,00	21/02/2018	03/09/2020	--
0068	MECI00720		SWITCH B4	1,00	04/09/2020		--
0069	FSVR00264		CLAMP	1,00	18/03/2019		--
0070	GUGO00480		GASKET -	1,00			--
0072	VTRS00515		WASHER D. 4 INX	1,00			--
0073	VTDD00055		NUT M 4 ATB A2	1,00			--
0074	MPVR08038		PLATE CT15-30	1,00			--
0075	VTVT15965		SCREW TCB-TC 4X12 UNI7687 INX	1,00			--
0076	KTRIO2097		KIT CT15-CT30	1,00			--



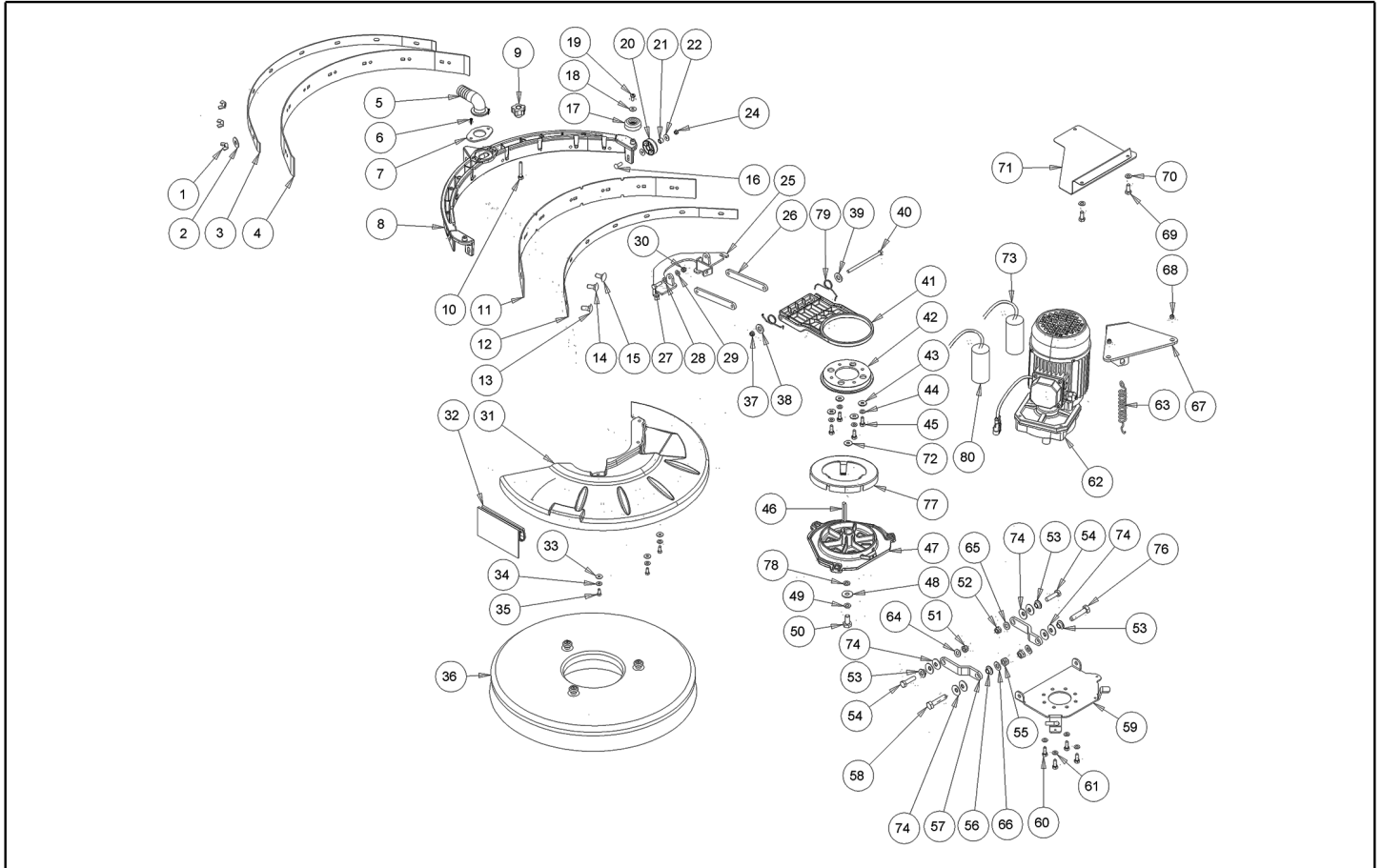
Ref. K	Part n.	Part n. 2	Description	Quantity	Validity		Price
					From	To	
0001	VTDD00522		NUT M5	6,00			--
0002	VTRS13750		WASHER D. 5X14 INX	6,00			--
0003	LAFN07908		BRACKET -	1,00			--
0004	MPVR05954		FLAP SQUEEGEE REAR CT30	1,00			--
0005	MPVR05831		CONNECTOR ELBOW FITTING CT15-CT30	1,00			--
0006	VTVT48694		SCREW TCB TC 5 X12 UNI 9707 TZ	2,00			--
0007	LAFN08890		FLANGE SQUEEGEE HELBOW	1,00			--
0008	MPVR05914		FLOOR WIPER YELLOW RAL1021	1,00			--
0009	MPVR05842		SMALL KNOB -	2,00			--
0010	VTVT15515		SCREW TE M 6X 50 INOX A2	2,00			--
0011	MPVR05953		FLAP SQUEEGEE FRONT CT30	1,00			--
0012	LAFN07907		BRACKET -	1,00			--
0013	VTVT01690		SCREW M5x25	2,00			--
0014	VTVT01691		SCREW M5x35	2,00			--
0015	VTVT01691		SCREW M5x35	2,00			--
0016	VTVT01693		SCREW M5x20	3,00			--
0017	MPVR05832		WHEEL -	2,00			--
0018	VTRS13750		WASHER D. 5X14 INX	2,00			--
0019	VTVT48694		SCREW TCB TC 5 X12 UNI 9707 TZ	2,00			--
0020	MPVR05832		WHEEL -	3,00			--
0021	LAFN08913		BUSHING -	3,00			--
0022	VTRS13750		WASHER D. 5X14 INX	6,00			--
0023	VTRS15908		WASHER D. 5 INX GRW UNI 1751	3,00			--
0024	VTDD01693		NUT M 5 INX	3,00			--
0025	LAFN07903		SUPPORT -	1,00			--
0026	LAFN07902		ARM -	2,00			--
0027	VTVT13939		SCREW TE 6X20 UNI5739 INX	2,00			--
0028	VTRS00245		WASHER D.6 UNI 6592 INOX	2,00			--
0029	VTRS00245		WASHER D.6 UNI 6592 INOX	2,00			--
0030	VTDD01694		NUT M6 INOX	2,00			--
0031	MPVR05916		COVER BRUSH HEAD CT30	1,00			--
0032	MPVR05966		FLAP BRUSH SKIRT CT30	1,00			--
0033	VTRS13750		WASHER D. 5X14 INX	3,00			--
0034	VTRS15908		WASHER D. 5 INX GRW UNI 1751	3,00			--
0035	VTVT01300		SCREW TE M5X12 INOX	3,00			--
0036	SPPV01313		BRUSH D.450 NYLON 0,8	1,00		29/04/2013	--
0036	SPPV01188		BRUSH CT30 NEW	1,00	30/04/2013	29/10/2020	--
0036	SPPV02665		BRUSH APC D.460 SMUS.100° CT30	1,00	30/10/2020		--
0037	VTDD01694		NUT M6 INOX	1,00			--
0038	VTRS00245		WASHER D.6 UNI 6592 INOX	1,00			--
0039	VTRS00245		WASHER D.6 UNI 6592 INOX	1,00			--
0040	VTVT01692		SCREW M6X125	1,00			--
0041	MPVR05829		SUPPORT -	1,00			--
0042	MPVR05830		BRACKET -	1,00			--



Ref. K	Part n.	Part n. 2	Description	Quantity	Validity		Price
					From	To	
0043	VTRS13945		WASHER D. 6X18 INX UNI 6593	4,00			--
0044	VTRS15144		WASHER D. 6 INX GRW UNI 1751	4,00			--
0045	VTVT13939		SCREW TE 6X20 UNI5739 INX	4,00			--
0046	VTVR16617		KEY 6X 6X30 UNI 6604	1,00			--
0047	MFVR00212		DRIVE DISK ALUMINIUM	1,00			--
0048	VTRS13946		WASHER D. 8 X24 INX UNI 6593	1,00			--
0049	VTRS15146		WASHER GROVER A2 UNI1751	1,00			--
0050	VTVT13938		SCREW TE 8X20 UNI5739 INX	1,00			--
0051	VTDD01695		NUT M 8 INX	1,00			--
0052	VTDD01695		NUT M 8 INX	1,00			--
0053	LAFN06391		BUSHING BRUSH DECK SUPPORT	3,00			--
0054	VTVT00410		SCREW TE M8x35 UNI5739 INOX	2,00		14/04/2014	--
0054	VTVT01378		SCREW TBEI M8X35	2,00	15/04/2014		--
0055	VTDD01695		NUT M 8 INX	2,00			--
0056	LAFN51068	#8479.90.9498	Bushing	1,00			--
0057	LAFN07910		BRACKET -	1,00			--
0058	VTVT15907		SCREW TE 8X25 UNI5739 INX	2,00		14/04/2014	--
0058	VTVT01195		SCREW TBEI M 8X 25 ISO 7380 IX	2,00	15/04/2014		--
0059	LAFN07905		SUPPORT BRUSH MOTOR CT30-45	1,00			--
0060	VTVT15906		SCREW TE 6X 12 A2 UNI 5739	4,00			--
0061	VTRS15144		WASHER D. 6 INX GRW UNI 1751	4,00			--
0062	MOMO00249		MOTOR CT30 115V	1,00			--
0063	MLML00065		SPRING L0=80 De=12 Df=1.7	1,00			--
0064	VTRS13947		WASHER D. 8 INX UNI 6592	1,00			--
0065	VTRS13947		WASHER D. 8 INX UNI 6592	1,00			--
0066	VTRS13947		WASHER D. 8 INX UNI 6592	2,00			--
0067	LAFN07918		BRACKET -	1,00			--
0068	VTDD00128		SELF-LOCJ.NUT M5	2,00			--
0069	VTVT34115		SCREW TE M 5X 10 UNI 5739	2,00			--
0070	VTRS13750		WASHER D. 5X14 INX	2,00			--
0071	MPVR05957		PROTECTION -	1,00			--
0072	VTRS13947		WASHER D. 8 INX UNI 6592	1,00	20/09/2013		--
0077	MPVR06045		CONVEYOR -	1,00	30/10/2013	15/09/2017	--



Ref. K	Part n.	Part n. 2	Description	Quantity	Validity		Price
					From	To	
0001	VTDD00522		NUT M5	6,00			--
0002	VTRS13750		WASHER D. 5X14 INX	6,00			--
0003	LAFN07908		BRACKET -	1,00			--
0004	MPVR05954		FLAP SQUEEGEE REAR CT30	1,00			--
0005	MPVR05831		CONNECTOR ELBOW FITTING CT15-CT30	1,00			--
0006	VTVT48694		SCREW TCB TC 5 X12 UNI 9707 TZ	2,00			--
0007	LAFN08890		FLANGE SQUEEGEE HELBOW	1,00			--
0008	MPVR05914		FLOOR WIPER YELLOW RAL1021	1,00			--
0009	MPVR05842		SMALL KNOB -	2,00			--
0010	VTVT15515		SCREW TE M 6X 50 INOX A2	2,00			--
0011	MPVR05953		FLAP SQUEEGEE FRONT CT30	1,00			--
0012	LAFN07907		BRACKET -	1,00			--
0013	VTVT01690		SCREW M5x25	2,00			--
0014	VTVT01691		SCREW M5x35	2,00			--
0015	VTVT01691		SCREW M5x35	2,00			--
0016	VTVT01693		SCREW M5x20	3,00			--
0017	MPVR05832		WHEEL -	2,00			--
0018	VTRS13750		WASHER D. 5X14 INX	2,00			--
0019	VTVT48694		SCREW TCB TC 5 X12 UNI 9707 TZ	2,00			--
0020	MPVR05832		WHEEL -	3,00			--
0021	LAFN08913		BUSHING -	3,00			--
0022	VTRS13750		WASHER D. 5X14 INX	6,00			--
0023	VTRS15908		WASHER D. 5 INX GRW UNI 1751	3,00			--
0024	VTDD01693		NUT M 5 INX	3,00			--
0025	LAFN07903		SUPPORT -	1,00			--
0026	LAFN07902		ARM -	2,00			--
0027	VTVT13939		SCREW TE 6X20 UNI5739 INX	2,00			--
0028	VTRS00245		WASHER D.6 UNI 6592 INOX	2,00			--
0029	VTRS00245		WASHER D.6 UNI 6592 INOX	2,00			--
0030	VTDD01694		NUT M6 INOX	2,00			--
0031	MPVR05916		COVER BRUSH HEAD CT30	1,00			--
0032	MPVR05966		FLAP BRUSH SKIRT CT30	1,00			--
0033	VTRS13750		WASHER D. 5X14 INX	3,00			--
0034	VTRS15908		WASHER D. 5 INX GRW UNI 1751	3,00			--
0035	VTVT01300		SCREW TE M5X12 INOX	3,00			--
0036	SPPV01188		BRUSH CT30 NEW	1,00		29/10/2020	--
0036	SPPV02665		BRUSH APC D.460 SMUS.100° CT30	1,00	30/10/2020		--
0037	VTDD01694		NUT M6 INOX	1,00			--
0038	VTRS00245		WASHER D.6 UNI 6592 INOX	1,00		27/01/2015	--
0038	VTRS13945		WASHER D. 6X18 INX UNI 6593	1,00	28/01/2015		--
0039	VTRS00245		WASHER D.6 UNI 6592 INOX	1,00		27/01/2015	--
0039	VTRS13945		WASHER D. 6X18 INX UNI 6593	1,00	28/01/2015		--
0040	VTVT01692		SCREW M6X125	1,00		27/01/2015	--
0040	VTVT01385		SCREW M6X140	1,00	28/01/2015		--



Ref. K	Part n.	Part n. 2	Description	Quantity	Validity		Price
					From	To	
0041	MPVR05829		SUPPORT -	1,00		27/01/2015	--
0041	MPVR07158		SUPPORT SQUEEGEE ROTATION CT15-30	1,00	28/01/2015		--
0042	MPVR05830		BRACKET -	1,00		27/01/2015	--
0042	MPVR07161		BRACKET -	1,00	28/01/2015		--
0043	VTRS13945		WASHER D. 6X18 INX UNI 6593	4,00			--
0044	VTRS15144		WASHER D. 6 INX GRW UNI 1751	4,00			--
0045	VTVT13939		SCREW TE 6X20 UNI5739 INX	4,00			--
0046	VTVR16617		KEY 6X 6X30 UNI 6604	1,00			--
0047	MFVR00212		DRIVE DISK ALUMINIUM	1,00		08/12/2020	--
0047	MFVR00242		DRIVE DISK CONICAL ALUMINIUM	1,00	09/12/2020		--
0048	VTRS13946		WASHER D. 8 X24 INX UNI 6593	1,00			--
0049	VTRS15146		WASHER GROVER A2 UNI1751	1,00			--
0050	VTVT13938		SCREW TE 8X20 UNI5739 INX	1,00			--
0051	VTDD01695		NUT M 8 INX	1,00			--
0052	VTDD01695		NUT M 8 INX	1,00			--
0053	LAFN94013		BUSHING -	3,00			--
0054	VTVT01378		SCREW TBEI M8X35	2,00			--
0055	VTDD01695		NUT M 8 INX	2,00			--
0056	LAFN51068	#8479.90.9498	Bushing	1,00			--
0057	LAFN94012		ARM -	2,00			--
0058	VTVT01195		SCREW TBEI M 8X 25 ISO 7380 IX	2,00			--
0059	LAFN07905		SUPPORT BRUSH MOTOR CT30-45	1,00		22/06/2020	--
0059	LAFN11541		PLATE .	1,00	23/06/2020	11/04/2021	--
0059	LAFN11703		PLATE .	1,00	12/04/2021		--
0060	VTVT15906		SCREW TE 6X 12 A2 UNI 5739	4,00			--
0061	VTRS15144		WASHER D. 6 INX GRW UNI 1751	4,00			--
0062	MOMO00249		MOTOR CT30 115V	1,00		26/04/2015	--
0062	MOMO00261		MOTOR 115VAC	1,00	27/04/2015		--
0063	MLML00065		SPRING L0=80 De=12 Df=1.7	1,00			--
0064	VTRS13947		WASHER D. 8 INX UNI 6592	1,00			--
0065	VTRS13947		WASHER D. 8 INX UNI 6592	1,00			--
0066	VTRS13947		WASHER D. 8 INX UNI 6592	2,00			--
0067	LAFN07918		BRACKET -	1,00		26/04/2015	--
0068	VTDD00128		SELF-LOCJ.NUT M5	2,00		26/04/2015	--
0069	VTVT34115		SCREW TE M 5X 10 UNI 5739	2,00			--
0070	VTRS13750		WASHER D. 5X14 INX	2,00			--
0071	MPVR05957		PROTECTION -	1,00			--
0072	VTRS13947		WASHER D. 8 INX UNI 6592	1,00			--
0073	METT00093		DISJUNCTOR CT30-CT45C	1,00	27/04/2015		--
0074	MLML00095		DISC SPRINGS 12,2x25x0,9 DIN 2093	8,00			--
0077	MPVR06045		CONVEYOR -	1,00		15/09/2017	--
0078	VTRS13947		WASHER D. 8 INX UNI 6592	1,00	11/11/2014		--
0079	MLML00343		SPRING -	2,00	28/01/2015		--
0080	MECO00083		CAPACITOR -	1,00	27/04/2015		--