

Powr-Flite®

PARTS LIST

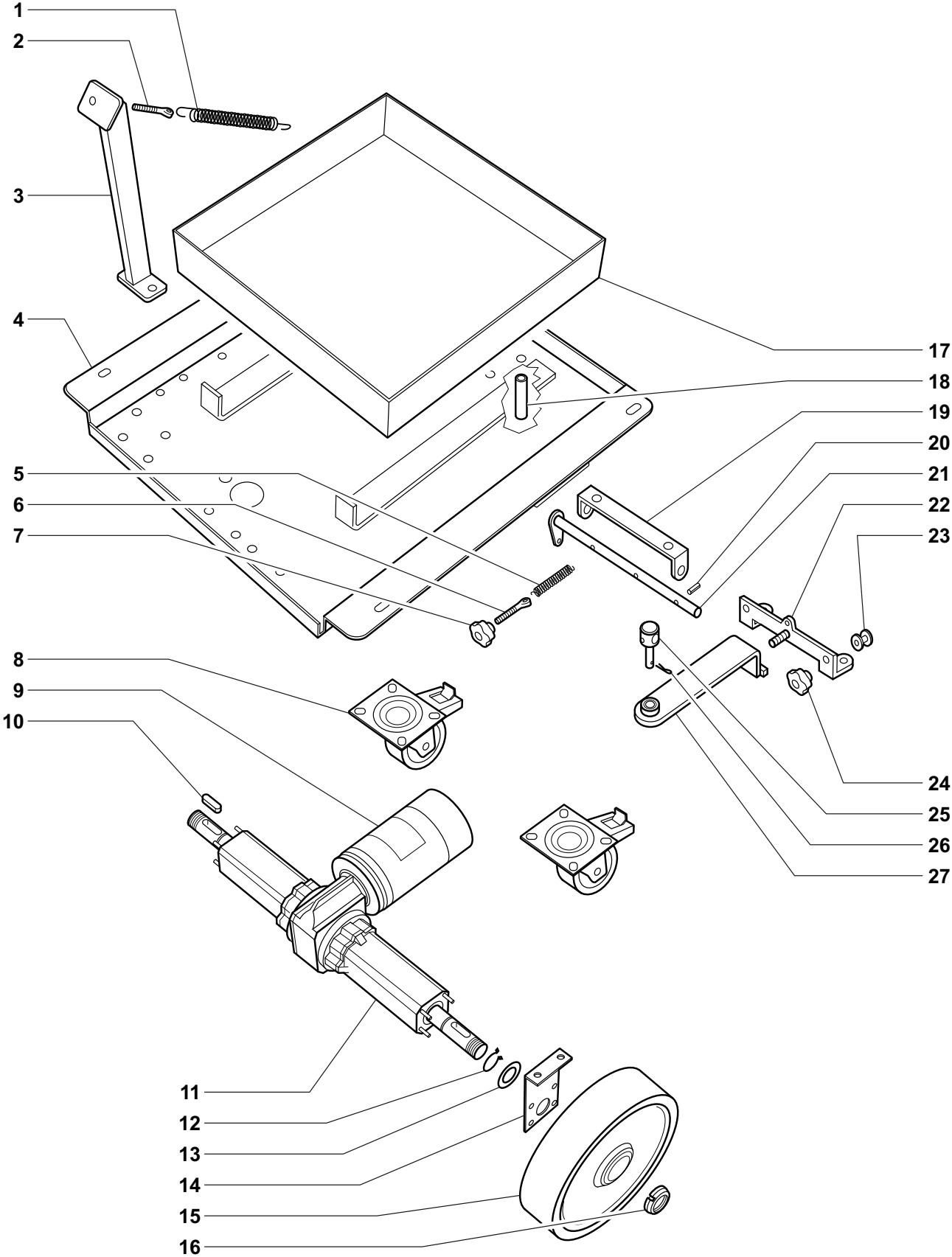
Phantom Automatic Scrubber

Model: PFS20 and PFS24



WARNING: OPERATOR MUST READ AND UNDERSTAND THIS MANUAL COMPLETELY BEFORE OPERATING THIS EQUIPMENT.

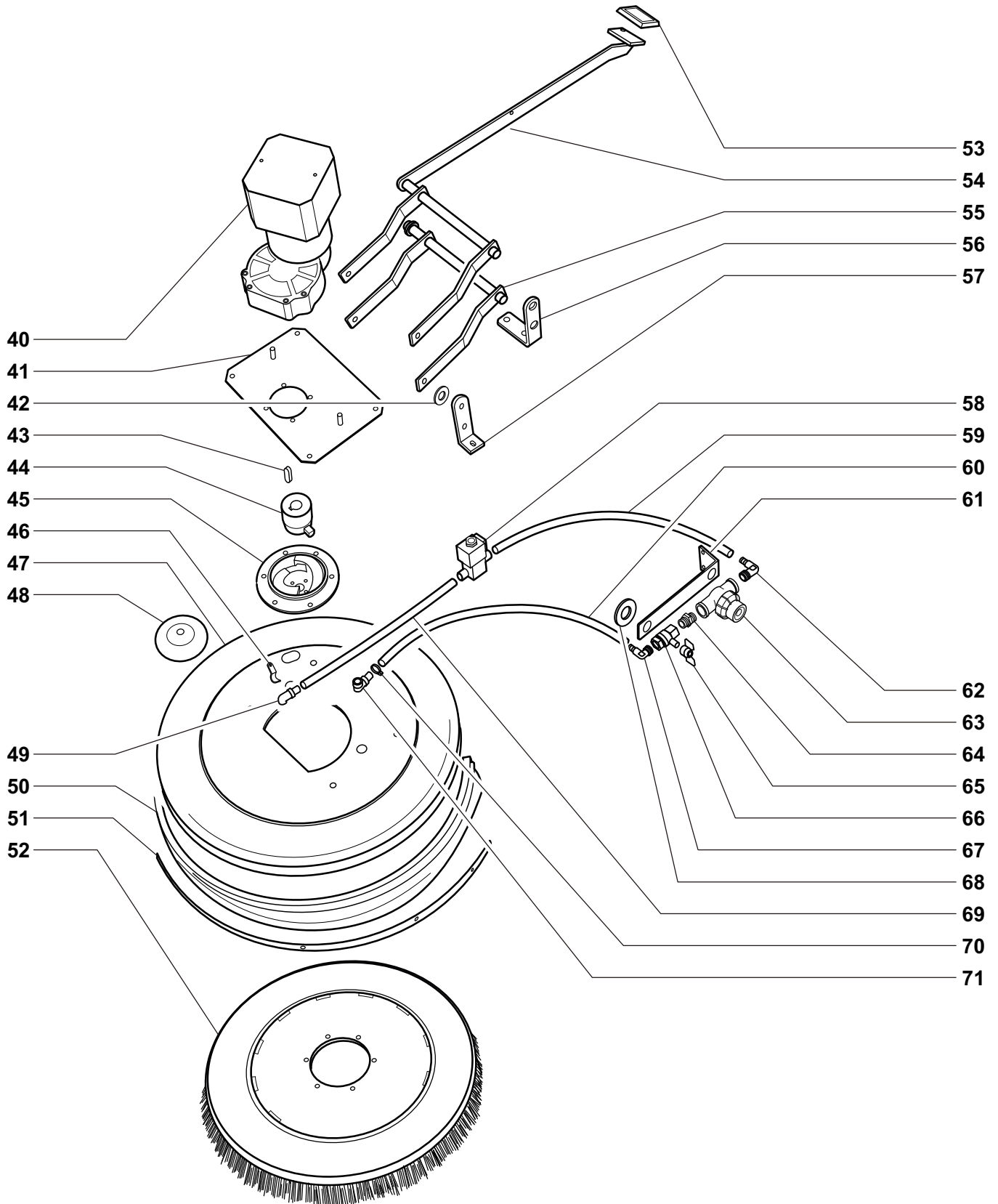
PFS20/24 FRAME



PFS20/24 FRAME

No.	Part No.	Qty	Description
1	PAS2031	1	Spring
2	PFS0001	1	Tie Rod
3	PFS0002	1	Support
4	PFS0003	1	Steel Frame
5	PFS0004	1	Spring
6	PAS63	1	Tie Rod
7	PAS33	1	Knob
8	PFS0005	2	Swivel Caster
9	PFS0006	1	Traction Motor
10	PAS101	2	Square Key
11	PFS0007	1	Complete Transaxle
12	PAS491	2	Seeger Ring
13	PAS356	2	Washer
14	PFS0008	2	Support
15	PAS298	2	Wheel
16	PAS358	2	Ring nut
17	PFS0009	1	Plastic Battery Tray
18	PFS0010	2	Rubber
19	PFS0011	1	Support
20	PFS0012	1	Pin
21	PFS0013	1	Shaft
22	PFS0014	1	Support
23	PAS34	1	Regulator
24	PAS33	1	Knob
25	PAS19	1	Pin
26	PAS266	1	Split Pin
27	505.097	1	Lever

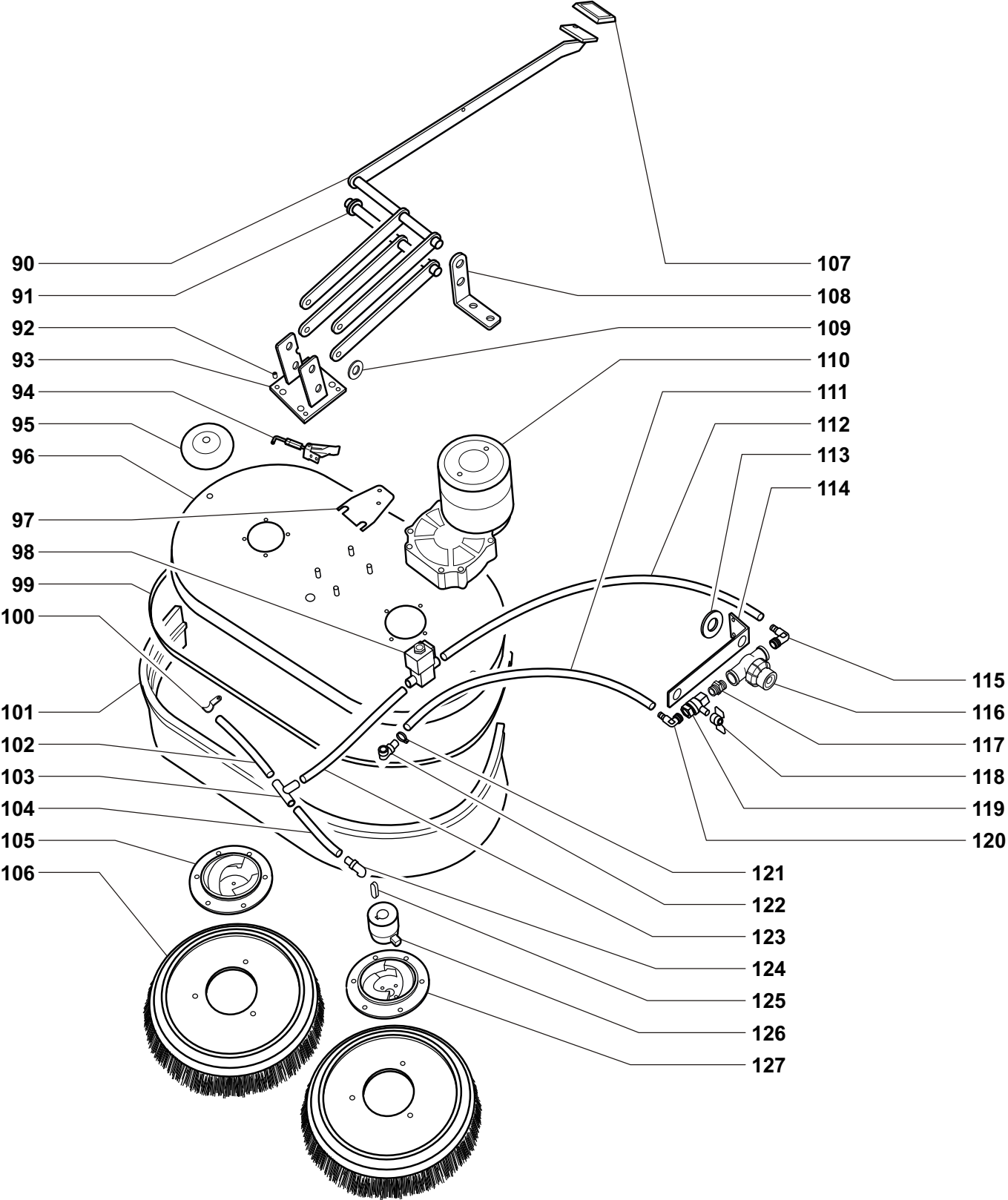
PFS20 BRUSH HEAD



PFS20 BRUSH HEAD

No.	Part No.	Qty	Description
40	PAS4	1	Motor and Gearbox
41	PAS2049	1	Plate
42	PFS0016	1	Washer
43	PFS0017	1	Square Key
44	PFS0018	1	Joint
45	PFSCPR	1	Clutch Plate Right
46	PAS2039	1	Pipe Support
47	PAS2051	1	Plate
48	PAS1	1	Bumper Wheel
49	PAS2038	1	Hose Fitting
50	PAS128	1	Splash Guard
51	PFS0019	1	Retainer Strip
52	PAS2018	1	Pad Holder
53	PAS14	1	Pedal Cover
54	PFS0020	1	Lever
55	PFS0021	1	Lever
56	PAS2034	1	Support
57	PAS2050	1	Support
58	PAS2035	1	Solenoid Valve
59	PFS0022	1	Hose
60	PFS0023	1	Hose
61	PFS0024	1	Support
62	PAS296	1	Hose Fitting
63	PFS0025	1	Filter
64	PFS0026	1	Nipple
65	PAS2043	1	Solution Control Knob
66	PFS0027	1	Water Tap
67	PAS296	1	Hose Fitting
68	PFS0028	1	Washer
69	PFS0029	1	Hose
70	PFS0030	1	Hose Clamp
71	PAS296	1	Hose Fitting

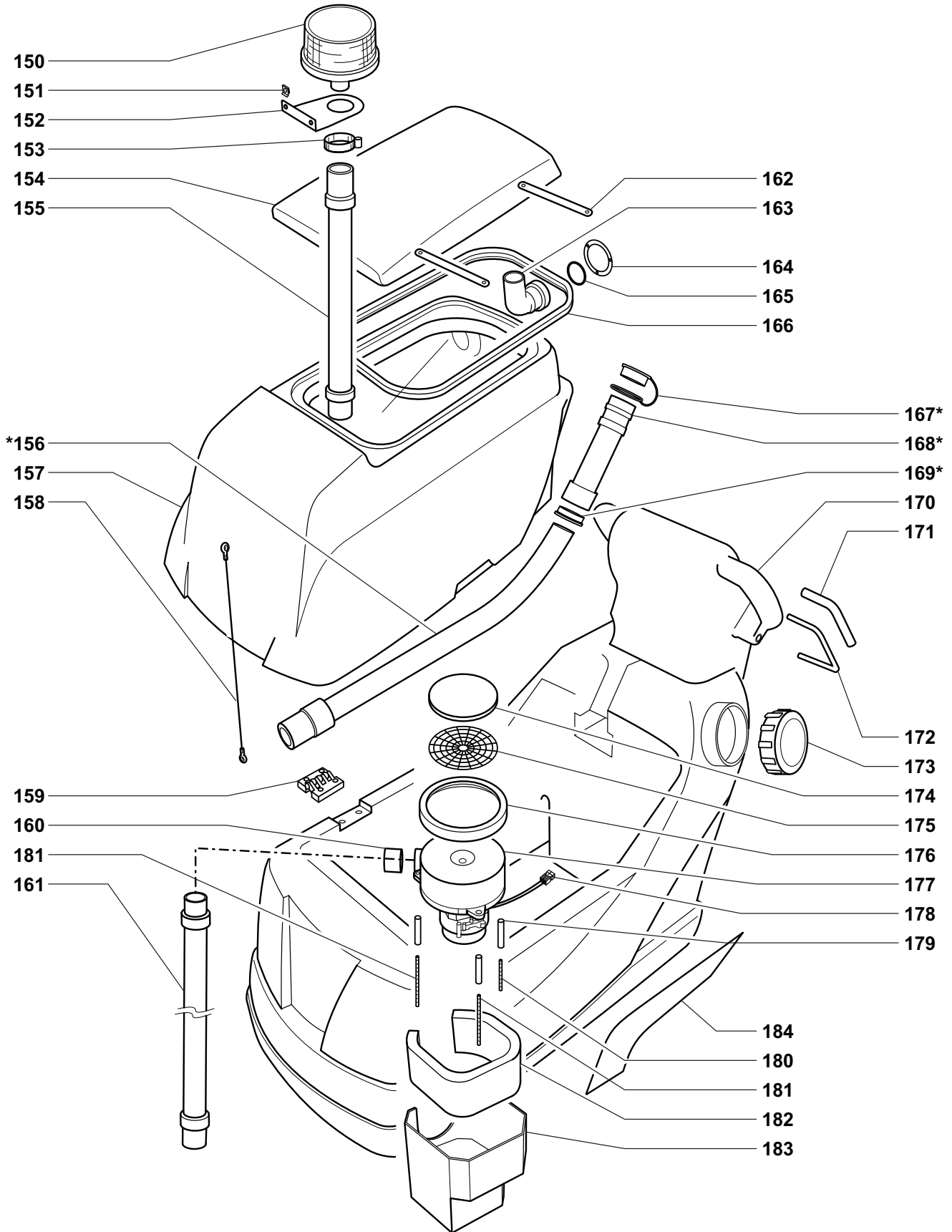
PFS24 BRUSH HEAD



PFS24 BRUSH HEAD

No.	Part No.	Qty	Description
90	PFS0034	1	Lever
91	PFS0035	1	Lever
92	PFS0036	1	Dowel
93	PFS0037	1	Support
94	PAS122	1	Hook
95	PAS1	1	Bumper Wheel
96	PFS0038	1	Plate
97	PFS0039	1	Support
98	PAS2035	1	Solenoid Valve
99	PAS211	1	Retainer Strip
100	PAS2039	1	Pipe Support
101	PFS0040	1	Splash Guard
102	PFS0041	1	Hose
103	PAS82	1	Joint
104	PFS0042	1	Hose
105	PFSCPR	2	Clutch Plate Right
106	PFS12PD	1	Pad HolderRight
	PFS12PDL	1	Pad Holder (Left)
107	PAS14	1	Pedal Cover
108	PAS2034	1	Support
109	PFS0016	1	Washer
110	PFS0033	1	Motor and Gearbox
111	PFS0043	1	Hose
112	PFS0044	1	Hose
113	PFS0028	1	Washer
114	PFS0024	1	Support
115	PAS296	1	Hose Fitting
116	PFS0025	1	Filter
117	PFS0026	1	Nipple
118	PAS2043	1	Solution Control Knob
119	PFS0027	1	Water Tap
120	PAS296	1	Hose Fitting
121	PFS0030	1	Hose Clamp
122	PAS296	1	Hose Fitting
123	PFS0045	1	Hose
124	PAS2038	1	Hose Fitting
125	PFS0017	2	Square Key
126	PFS0018	2	Joint
127	PFSCPL	1	Clutch Plate Left

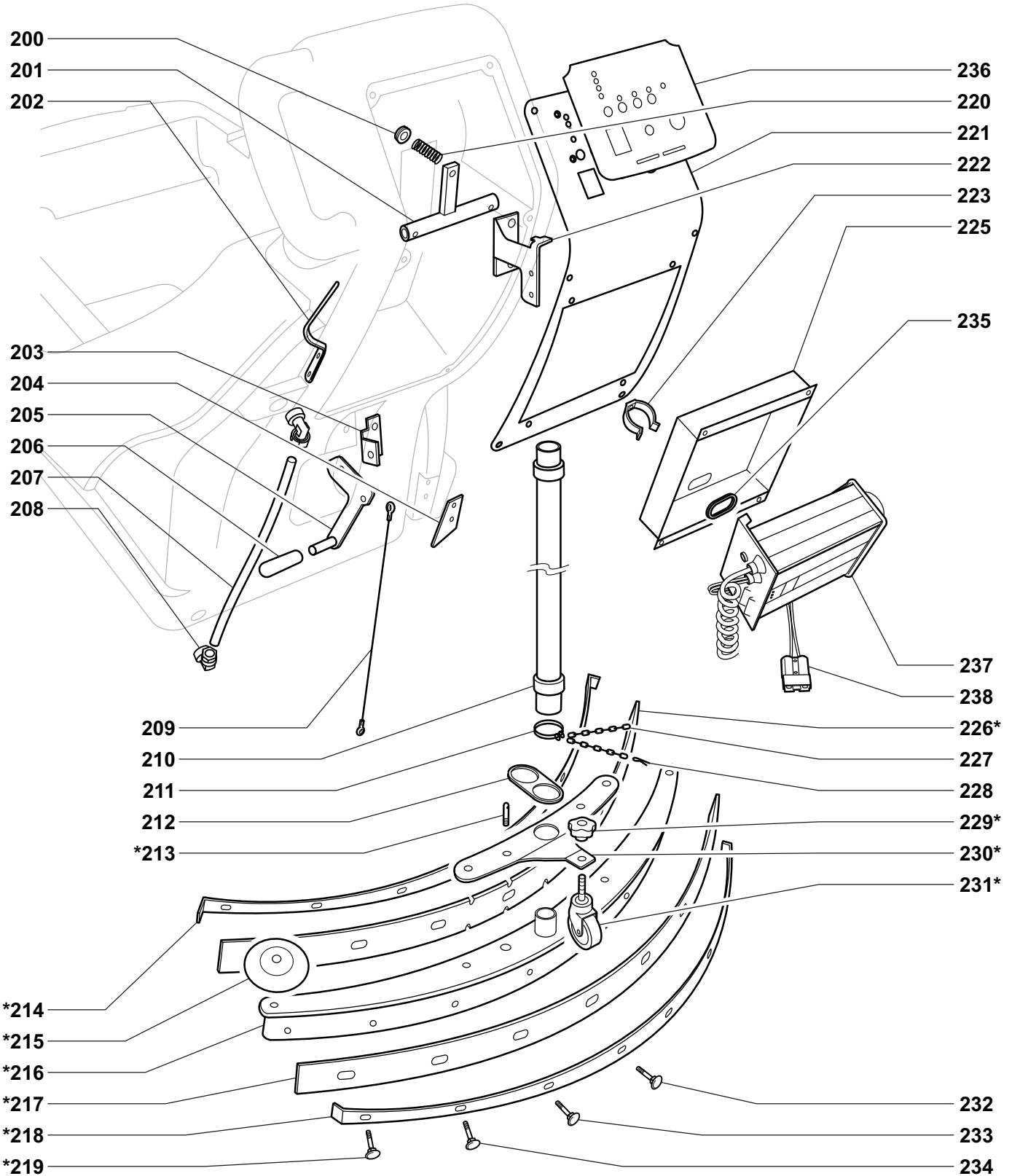
PFS20/24 TANKS and VACUUM MOTOR



PFS20/24 TANKS and VACUUM MOTOR

No.	Part No.	Qty	Description
150	PFS0046	1	Vacuum Filter
151	PFS0047	1	Spring Clip
152	PFS0048	1	Support
153	PAS2072	1	Hose Clamp
154	PFS0049	1	Recovery Tank Lid
155	PFS0050	1	Hose
156	PFS0051	1	Complete Drain Hose 156 & 169
157	PFS0052	1	Recovery Tank
158	PFS0032	1	Cable
159	PFS0053	1	Hinge
160	PAS330	1	Vacuum Hose Coupler
161	PFS0054	1	Hose
162	PFS0055	1	Recovery Tank Strap
163	PAS2073	1	Elbow
164	PFS0056	1	Gasket
165	PFS0057	1	Seal
166	PFS0058	1	Seal
167	PFS0059	1	Plug
168	PFS0060	1	Hose
169	PFS0051	1	Complete Drain Hose 156 & 169
170	PFS0061	1	Solution Tank
171	PFS0062	2	Rubber
172	PFS0063	2	Lever
173	PFS0064	1	Solution Tank Cap
174	PFS0065	1	Filter
175	PAS79	1	Screen
176	PAS102	1	Motor Gasket
177	PFS0031	1	Vacuum Motor
178	PFS0015	1	Connection
179	PFS0066	3	Spacer
180	PAS2046	1	Tie Rod
181	PFS0067	2	Tie Rod
182	PFS0068	1	Sponge
183	PFS0069	1	Vacuum Motor Housing

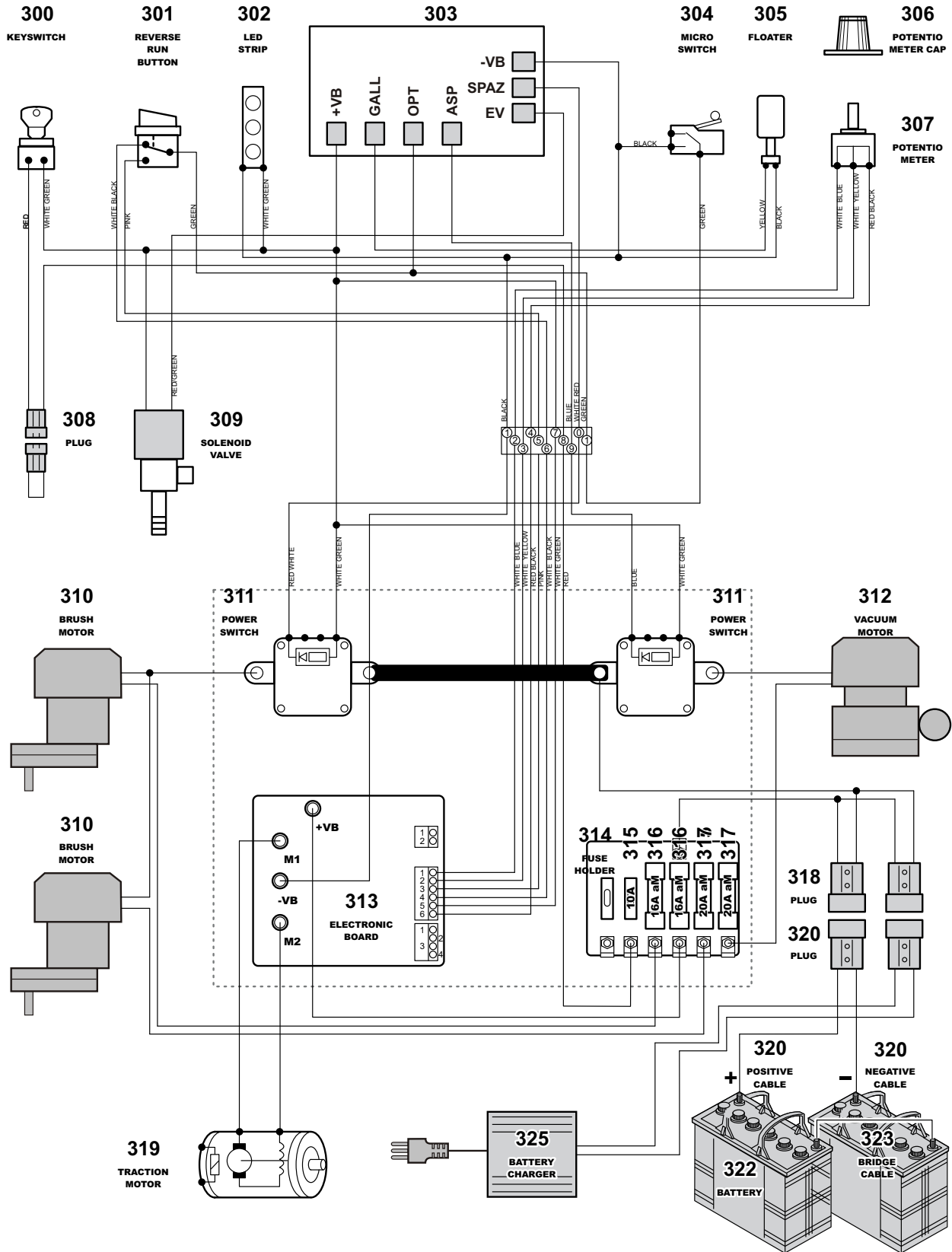
PFS20/24 SQUEEGEE and BODY WORK



PFS20/24 SQUEEGEE and BODY WORK

No.	Part No.	Qty	Description
200	PFS0070	1	Gromet
201	PFS0071	1	Lever
202	PFS0072	1	Support
203	PFS0073	1	Support
204	PAS2063	1	Foot Pedal Catch
205	PFS0074	1	Lever
206	PFS0075	1	Handle
207	PFS0076	1	Hose
208	PFS0077	2	Hose Fitting
209	PFS0032	1	Cable
210	PFS0078	1	Squeegee Hose
211	PAS2075	1	Hose Clamp
212	PAS2078	1	Hose Guide
213	PAS2077	2	Pin
214	PAS2066	1	Front Retainer Strip
215	PAS1	1	Bumper Wheel
216	PFS0079	1	Squeegee Body
217	PFS0080	1	Rear Squeegee Rubber
217	PAS2004	1	Rear Squeegee Rubber
218	PAS2079	1	Rear Retainer Strip
219	PFS0081	2	Screw M6 x 50
220	PFS0082	1	Spring
221	PFS0083	1	Panel
222	PFS0084	1	Support
223	PAS2069	1	Hose Clip
225	PFS0100	1	Support
226	PFS0085	1	Front Squeegee Rubber
226	PAS2003	1	Front Squeegee Rubber
227	PAS41	1	Chain and Split Pins
229	701.292	1	Knob
230	PFS0086	1	Support
231	701.291	1	Caster Wheel
232	PFS0087	2	Screw M6 x 70
233	PFS0088	2	Screw M6 x 65
234	PFS0089	2	Screw M6 x 60
235	PFS0097	1	Gasket
236	PFS0098	1	Panel Decal PFS20
236	PFS0099	1	Panel Decal PFS24
237	PFS0096	1	Battery Charger
238	PAS59R	2	Connector (SB50 Red)
	PAS610	1	Complete Squeegee Assembly

PFS20/24 ELECTRICAL



PFS20/24 ELECTRICAL

No.	Part No.	Qty	Description
300	PAS53NS	1	Key Switch
301	PAS295	1	Reverse Button
302	PFS0090	1	LED Strip
303	PFS0091	1	Electronic Card
304	PAS56	1	Drive Micro Switch
305	PFS0092	1	Float
306	PFS0093	1	Knob
307	PAS55	1	Potentiometer
308	PFS0015	2	Connector
309	PAS2035	1	Solenoid Valve
310	PAS4	1	Brush Motor 20" MACHINE
310	PFS0033	2	Brush Motor 24" MACHINE
311	PAS57	2	Power Switch
312	PFS31	1	Vacuum Motor
313	PAS294A	1	Electronic Control Board
314	PFS0094	4	Fuse Holder
315	PFS0095	1	Fuse 10A
316	PAS117	2	Fuse 16A
317	PAS118	2	Fuse 20A
318	PAS59R	1	Connector
319	PFS0007	1	Complete Transaxle
320	PAS140	1	Connector w/ Battery Cables
322	B27TMX	2	Wet Lead-Acid Battery 12V 105 Ah
322	TBD	2	GEL Battery 12V 140Ah
323	PAS141	1	Jumper Cable

Powr-Flite Warranty Statement

All Powr-Flite equipment has been tested and inspected at the factory and is guaranteed to be free from defects in material and workmanship for the duration described below. For full details, contact your authorized Powr-Flite Distributor, Service Center, or the Powr-Flite Technical Service Department.

5 Years - Tanks

2 Years - Motors

1 Year - Parts/Labor

IMPORTANT WARRANTY CONDITIONS:

Warranty starts from the date of sale to the consumer or, at Powr-Flite's discretion, six months after the dealer has purchased the unit from Powr-Flite, whichever comes first. All non-wear parts purchased after machine warranty expiration are warranted for one year. Proof of purchase is required to process all claims. Powr-Flite sales and service representatives are not authorized to waive, alter, or increase the terms of this warranty.

Warranty DOES NOT cover the following:

- Routine wear and tear items such as brushes, filters, points, plugs, bulbs, switches, brooms, wheels/tires, casters, fuses, belts, hoses, and sheer pins/motor couplings.
- Damage that occurs during shipping. A claim should be filed directly with the carrier to collect damages.
- Unauthorized machine modifications or parts not purchased directly from Powr-Flite or an authorized reseller.
- Failure to properly inspect, maintain, operate, and store the machine. Misuse/abuse is determined at Powr-Flite's sole discretion and examples include damage from pressure washing the machine, exposing the machine to rain, cold, or snow, and damage to the vacuum motor caused by failure to use defoamer.
- Cleaning and refinishing charges or machine downtime. Rentals and other replacement machines are not available from Powr-Flite during the repair period.

Powr-Flite[®]

A Tacony Company

3101 Wichita Court • Fort Worth, TX 76140-1755

1-800-880-2913 • Fax: 1-817-551-0719