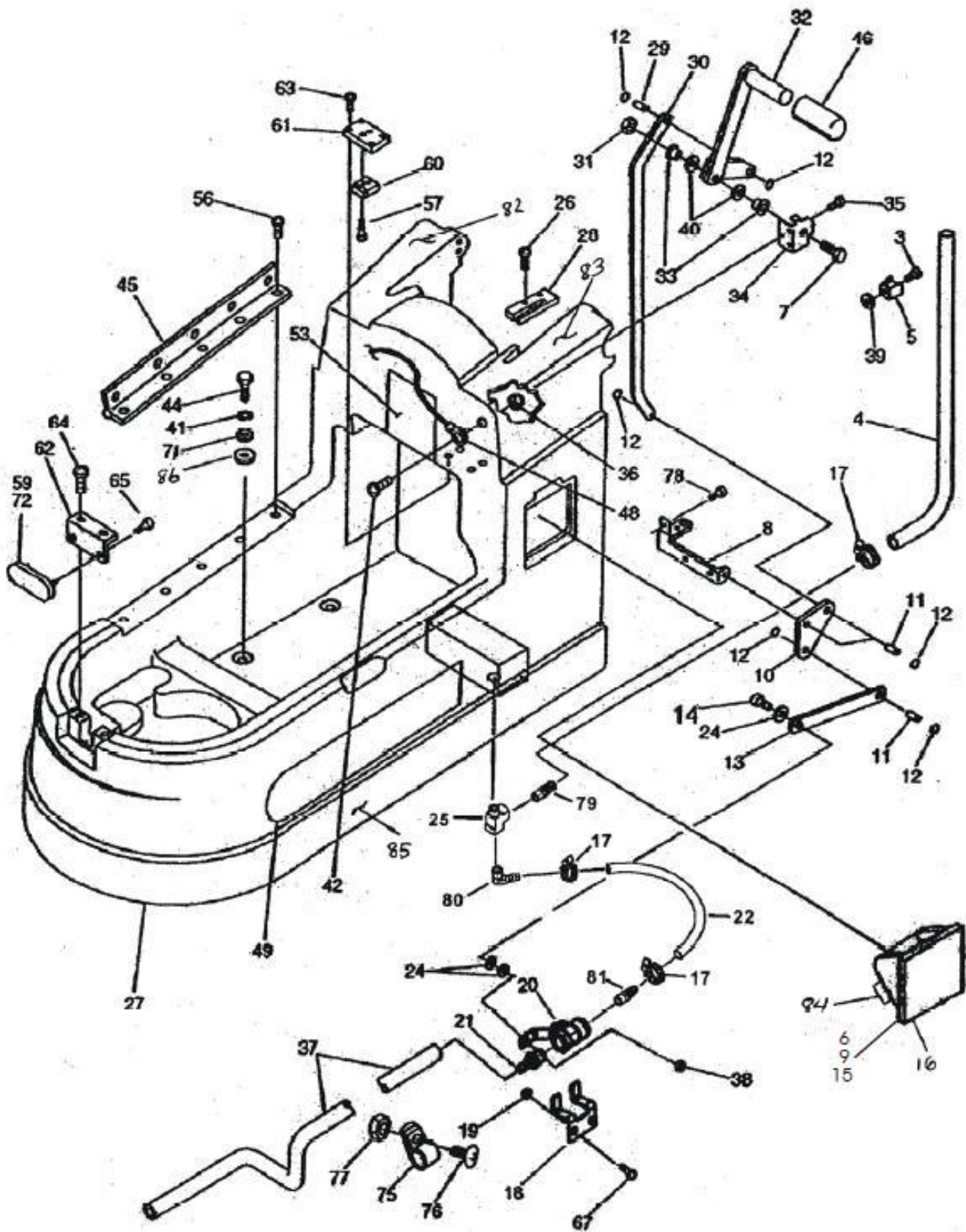


Tornado [Mar. 6, 2013]/Year 2000-Current: Schematics, Accessories, Brochures, Replacement & Optional Items/Automatic Scrubbers/20" & 24" EZ Floorkeepers/99105A 20" EZ BD Floorkeeper (w/ 2-12 V Batteries) - Series F/Solution Tank Assembly



No.	Part No.	Qty.	Description
3	00128	3	SCREW PHIL. RND HD MACH
4	32231	1	HOSE DRAIN BOTTOM TANK
5	18468	2	Sight Tube Retaning Clip
6	03124	3	RIVET BLIND CEBM
7	03320	1	SCREW HEX HD CAP
8	18652	1	BRACKET SOL. CONTROL
9	11219	2	WASHER PLAIN
10	18328	1	PLATE SOLUTION CONTROL
11	18261	3	PIN SOLUTION CONTROL LIN
12	18316	8	RING RETAINING EXT. 3/8
13	18329	1	BAR LOWER SOL. CONTROL
14	15677	1	SCREW SOCKET HD SHOULDER
15	12671	1	WEIGHT
16	18209	1	COVER SOLUTION FILL
17	07626	3	CLAMP HOSE (SCREW)
18	18684	1	BRACKET SOL. VALVE
19	07533	2	NUT HEX.LOCK(P/T)
20	31253	1	Ball Valve
21	18485	1	FITTING PLASTIC CPLR
22	31646	1	HOSE 1/2ID X 15 (CLEAR)
24	03736	2	Washer
25	31648	1	FITTING RUN TEE (BRASS)
26	18253	2	SCREW T.F.PLT60 PAN HEAD
27	18455	1	TANK SOLUT.(W/OPENING)
28	18466	1	PLATE SOLUTION LEVER
29	18262	1	PIN SOLUTION CONTROL LIN
30	18330	1	BAR UPPER SOL. CONTRL LI
31	03868	1	NUT HEX JAM LOCK (NYL)
32	18319	1	WELDMENT SOL. CNTRL.
33	16347	2	BEARING FLANGED BRONZE
34	18249	1	BRACKET HANDLE PIVOT
35	16136	3	SCREW TFT(PLT30)FIL.HD.
36	10894	2	NUT HEX.LOCK(P/T)
37	18431	1	TUBE-SOLUTION RELEASE 31USE 32643
38	01589	1	NUT FINISHED HEX W/ LOCTITE
39	01246	1	WASHER LOCK(H/S)# 6
40	19616	2	WASHER PLAIN
41	01577	4	WASHER LOCK(H/S)5/16
42	18339	2	SCREW PHIL. FLAT HD MACH
44	16031	4	SCREW HEX HD CAP
45	18229	1	HINGE
46	10721	1	GRIP ROUND
47	18308	1	PANEL RELAY ACCESS
48	18359	1	ASSEMBLY CABLE (STEEL)
49	30816	1	DECAL TORNADO W/ LOGO
53	18377	1	DECAL BATT.CHRGNG.INSR.
54	18381	1	DECAL CIRCUIT BREAKER
55	15734	1	GAGE COLOR
56	06192	10	SCREW PHIL. TRUSS HD
57	14544	2	SCREW PHIL. FLAT HD MACH
58	30812	1	DECAL LOGO SWIRL
59	17376	2	NUT HEX.LOCK
60	18237	1	SB 50 Housing Connector
61	18239	1	PLATE CHARGER CONN.
62	18240	1	BRKT-WARNING LIGHT MNT.
63	18253	4	SCREW T.F.PLT60 PAN HEAD
64	18309	2	SCREW PHIL. PAN HD MACH
65	18336	2	SCREW PHIL. PAN HD MACH

67	05427	2	SCREW PHIL. RND HD MACH
71	03321	4	WASHER PLAIN .391ID X1.25X.125
72	18859	1	ASSY EZ WARNING LIGHT
75	18717	2	CLAMP CABLE(5/8DIA.)
76	18309	2	SCREW PHIL. PAN HD MACH
77	10892	3	NUT HEX.LOCK(KEPS)
78	19945	1	SCREW TRUSS HEAD
79	31649	1	FITTING ADAPTER (BRASS)
80	31647	1	FITTING ELBOW (BRASS)
	71507A		ELBOW 1/2 H - 3/8 MPT
81	31645	1	FITTING ADAPTER (BRASS)
82	18376	1	DECAL
83	18364	1	DECAL
84	18338	1	PLATE SOLUTION FILL COVE
85	16094	1	DECAL
86	18644	4	WASHER PLAIN 1/4 ID (NEO)