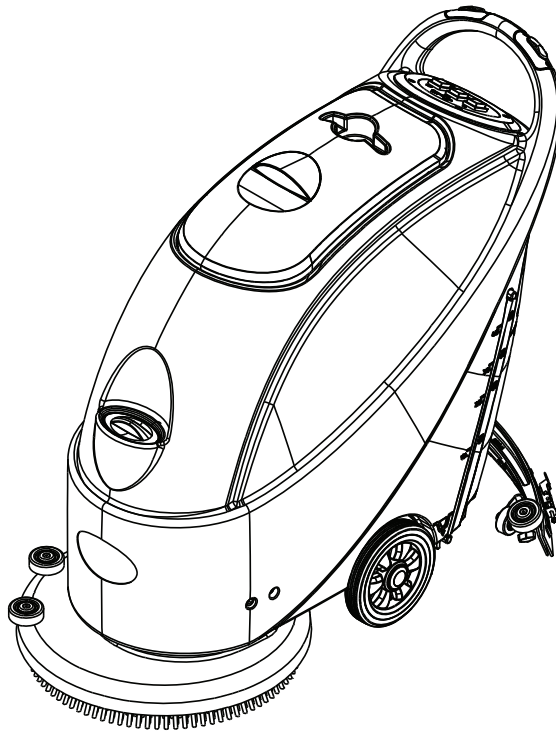


---



# Trusted Clean Dura 20 Auto Scrubber



CleanFreak  
5109 N National Dr.  
Knoxville, TN 37914

Trusted Clean  
Toll free. 888-722-5508

## Instructions For Use - Original Instructions / Instrucciones de uso / Mode d' emploi

	<b>READ THIS BOOK</b> <b>LEA ESTE MANUAL</b> <b>LISEZ CE MANUEL</b>	<b>EN</b> English (A2 - A18) <b>ES</b> Español (B2 - B18) <b>FR</b> Français (C2 - C18)
	<p>This book has important information for the use and safe operation of this machine. Failure to read this book prior to operating or attempting any service or maintenance procedure to your machine could result in injury to you or to other personnel; damage to the machine or to other property could occur as well. You must have training in the operation of this machine before using it. If your operator(s) cannot read this manual, have it explained fully before attempting to operate this machine.</p> <p>All directions given in this book are as seen from the operator's position at the rear of the machine.</p>	

**TABLE OF CONTENTS**

	<b>Page</b>
Introduction.....	A-3
Contents .....	A-3
Purpose .....	A-3
Spare Parts and Maintenance .....	A-3
Changes and Improvements .....	A-3
Machine Application.....	A-3
Unpacking/Transport .....	A-3
Safety Guides .....	A-4
Technical Data .....	A-5
Machine Components.....	A-6 – A-7
Control Panel.....	A-6 – A-7
Charger Indication Light .....	A-8
Guide For Use .....	A-8
Battery Installation .....	A-8 – A-10
Before Machine Start-Up .....	A-10
Brush / Pad-Holder Installing and Removal.....	A-10
Squeegee Adjustment .....	A-10
Regulating Water Flow .....	A-11
Machine Start and Stop .....	A-11
Machine Operation .....	A-12
Tank Emptying .....	A-12
After Each Use .....	A-13
Periods of Inactivity .....	A-13
Using For the First Time .....	A-13
Maintenance and Care .....	A-14
Scheduled Maintenance Table .....	A-14
Battery Charging.....	A-14 – A-15
Squeegee Cleaning .....	A-15
Squeegee Blade Check and Replacement.....	A-16
Brush/ Pad Cleaning.....	A-16
Water Tank and Float Filter Mesh Cleaning.....	A-17
Solution Filter Cleaning .....	A-18
Troubleshooting .....	A-18
Parts List.....	D-2 – D-12

## INTRODUCTION

### NOTE

Numbers shown in parenthesis correspond with the numbers in the machine exploded view.

## CONTENTS

This manual is intended to provide the operator with the necessary information to use this machine properly and safely. The information includes technical data, safety, operation, storage, maintenance and disposal of the machine. All operators and technicians should study this manual carefully before prior to operating or servicing the machine. Please contact your local Clean Freak distributor with any questions.

## PURPOSE

The intention of this manual is to educate the operator and service provider on the proper use and maintenance of this machine.

## SPARE PARTS AND MAINTENANCE

All necessary operation, maintenance, and repair procedures must be performed by an authorized Clean Freak service provider. Only authorized spare parts and accessories should be used.

If service, parts or accessories are needed, please contact your local Clean Freak distributor.

## CHANGES AND IMPROVEMENTS

CLEAN FREAK makes continuous improvements on its products. CLEAN FREAK reserves the right to change and improve the machines. All changes / improvements should be performed by and authorized Clean Freak service provider.

## MACHINE APPLICATION

This scrubber is used in commercial and industrial environments and is suitable for the cleaning of smooth hard floor surfaces. It must be used by qualified operators and in a safe environment. This machine is not to be used outdoors, on carpets, and on coarse floors.

## UNPACKING/TRANSPORT

Please follow carefully the instructions on the package when unpacking.

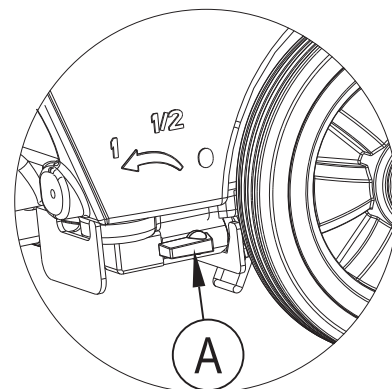
Upon delivery, please inspect the packing and the machine to ensure no damage has been done during transport. If there is any visible damage, please contact the distributor you purchased the machine from.

## CAUTION !

When unpacking and unloading, or during transportation, please take care to avoid hitting the solution valve. Part A in the figure on the right.

Check if the machine is equipped with the following items:

1. Technical documents
  1. -Scrubber User Manual
  2. -On-board Charger Manual (if equipped)
2. 2.Charger power cable



## SAFETY GUIDES

The following are special warnings and notices on potential damages (personnel and machine):

### WARNING !

- Machine may only be operated under the guidance of this manual. Only accessories approved by Clean Freak should be used.
- This machine must be only used by trained & authorized personnel. Children or untrained persons must not use this machine.
- Under normal use, the battery may emit flammable gas. The batteries must be kept away from radiating, illuminating, and burning items as well as sparks. When the machine is being used, please ensure that the environment is well ventilated and is away from open flames. When charging, please do not smoke in the vicinity of the machine.
- Please disconnect the battery prior to the performance of any maintenance/repair operations.
- Before using the on-board charger, please ensure that the values of voltage and frequency as indicated on the serial number sticker match those of the power supply.
- When working near electrical parts, please do not wear any jewelry. Please take all precautionary measures to avoid hair, jewelry, and loose fitting clothing from being caught by any moving parts of the machine.
- Prior to scrubbing, it is best to pre-sweep the area to be cleaned. Do not wash the machine directly with water. Do not let the machine come in touch with corrosive liquids.
- The temperature for storage and for working environment of the machine must be between 0 - 40°C.
- The humidity of air must be between 30% - 105%.
- Please do not use the machine on a slope with a gradient of more than 2%.
- In case of fire, please use dry powder fire extinguishers. Do not use liquid fire extinguishers.
- Particular attention should be paid when the machine is transported below 0°C. The water tank and the water in the hoses may freeze and cause serious damages to the machine.
- Use brush or pad driver supplied with the machine and those specified in the owner's manual. Using other brushes or pads could reduce safety.
- In case of machine malfunction, please make sure that it is not caused by lack of maintenance. If it is caused by other conditions, contact your local Clean Freak authorized service center. If it is confirmed that spare parts must be replaced, please secure the genuine parts from your local Clean Freak distributor.
- In order to ensure safe and proper operation of the machine, it is advised that your Clean Freak authorized service provider perform the scheduled maintenance according to the maintenance schedules outlined in this manual.
- This machine must be properly disposed of in accordance with local laws and regulations (please refer to machine disposal section).



**TECHNICAL DATA**

Model	CPL DURA-20B
Machine Height	980mm
Solution tank capacity	40 litre
Recovery tank capacity	40 litre
Diameter of transport wheel	200mm
Diameter of guide wheel	76mm
Power of vacuum system motor	350w
Maximum gradient when working	2% (Max)
Sound pressure level at workstation	70dB(A) ±3dB(A)
Standard batteries	(2×12V) 24V 105Ah AGM
Battery compartment size (W x L x H)	340 x 330 x 260mm(Max)
Vacuum system circuit capacity	1200 mm H <sub>2</sub> O
Cleaning width	510mm
Squeegee width	790mm
machine maximum length	1100mm
Machine width without squeegee	540mm
Brush diameter	510mm
Weight with batteries and with empty tanks	128kg
Gross weight of the machine ready for use	168kg
Brush motor power	560W
Brush speed	150rpm
Brush /pad-holder Maximum pressure	35kg(Max)
Packing size (Lx W x H)	1200 x 610 x 1170mm

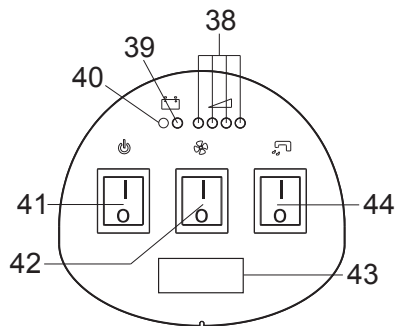
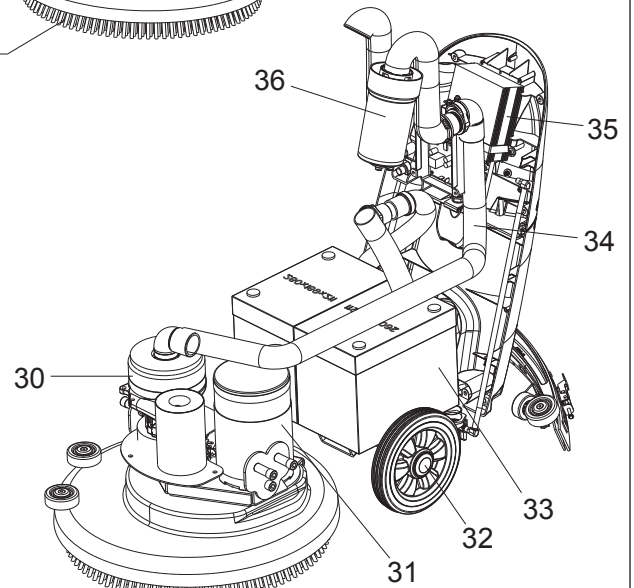
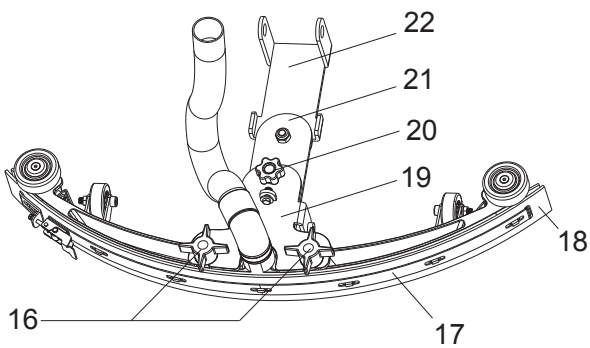
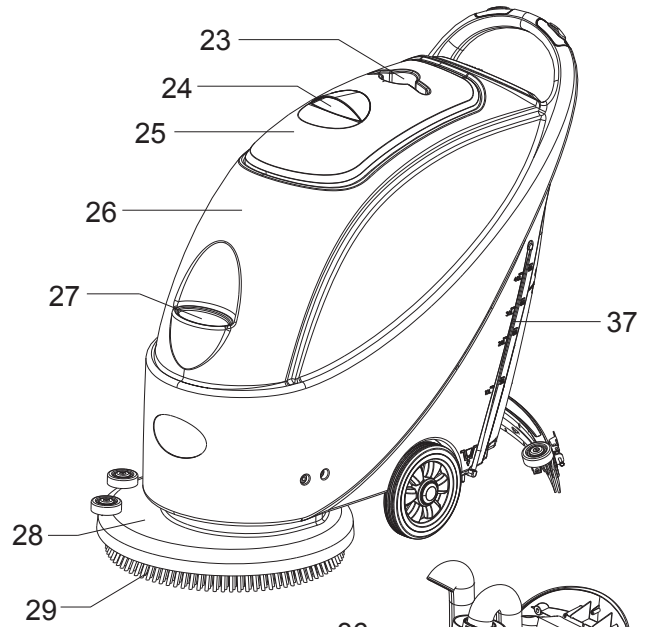
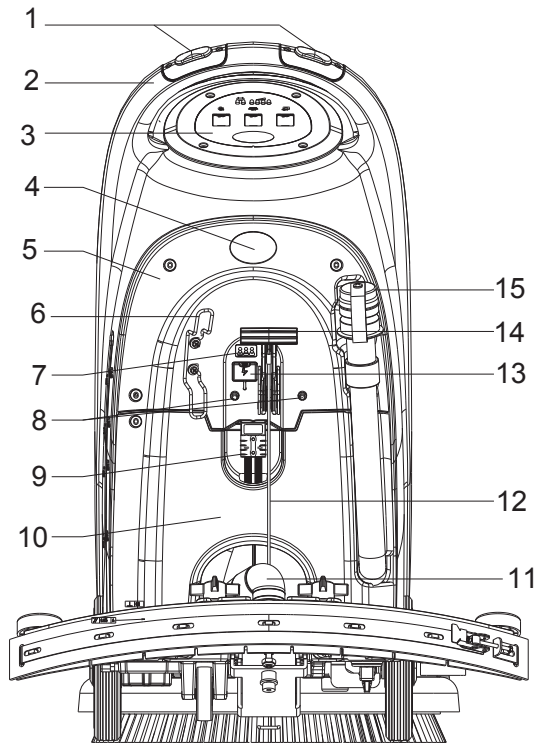
**MACHINE COMPONENTS**

1. Safety switch button
2. Handle
3. Control panel
4. Serial number plate/Technical data
5. Control cover
6. Cable holder (\*)
7. Battery charging indication light
8. Reset switch
9. Battery connector
10. Battery cover
11. Drain hose
12. Squeegee lift cable
13. Battery connector safety cover
14. Squeegee lift handle
15. Drain cap
16. Squeegee knob
17. Squeegee clip
18. Squeegee blade
19. Squeegee bracket
20. Squeegee adjusting knob
21. Squeegee rear support frame
22. Squeegee front support frame
23. Cup holder
24. Recovery tank cover handle
25. Recovery tank lid
26. Recovery tank
27. Solution fill
28. Brush deck
29. Brush / pad-holder
30. Vacuum motor
31. Brush motor
32. 8" wheel
33. Battery
34. Vacuum tube
35. Charger (\*)
36. Float filter
37. Water level site tube

(\*) applicable only to machines already installed with on-board charger (optional)

**CONTROL PANEL**

38. Battery charge indication light (green when saturated)
39. Battery exhausted indication light (red)
40. Battery exhausted indication light (red)
41. Power switch
42. Vacuum switch
43. Hour meter (optional)
44. Solution switch



## CHARGER INDICATOR LIGHTS (FIGURE 3)

(Optional, applicable to models with built-in charger)

1. When charging starts, the red indication light (45) flashes a few times and then steadies to become a permanent red indication light, entering into the first stage of charging.
2. After charging for a period of time, the red light (45) will go out. A yellow indication light (46) will light up permanently: entering the second stage of charging.
3. After charging for approximately 10 hours, the amber indication light (46) will turn off & the green light (47) will become permanently lit, indicating that the charge is full, and charging has ended.

### NOTE

- 1) While charging, if the yellow indication light flashes: the battery is incompatible with the charger, or the battery is not properly connected, or a short circuit has taken place at the output terminal.
- 2) If the red indication light is flashing: a short circuit inside the charger. (For details, please refer to the related sections in the charger instruction.)

## GUIDE FOR USE

### ⚠ WARNING !

On certain parts of the machine are pasted some indicative signs:

### ⚠ DANGER !

### ⚠ WARNING !

### ⚠ CAUTION !

## CONSULTATION

When reading this manual, the operator must pay particular attention to the symbols on these labels. Under no circumstances shall these labels be covered. If they are damaged, please replace them immediately.

## BATTERY INSTALLATION

### ⚠ WARNING !

If the batteries are incorrectly installed or inaccurately connected, the electric components of the machine may be seriously damaged. The batteries may only be installed by qualified personnel. According to the battery model number (WET or GEL) being used, set the functional circuit board and onboard charger (optional).

Please check if the battery is damaged before installing.

Disconnect the battery connector and the on-board charger plug.

Be careful when touching the battery.

This machine requires two (2) 12V batteries. Either wet or GEL / AGM batteries can be used. Please connect as shown in Figure 4 to the right.

1. Check the batteries. Ensure the connector (9) is connect to the battery pack.
2. Press the on / off switch (41) into the "on" position. If the green light is on, that indicates the batteries are ready for use. If the amber or red light is on, that indicates the batteries need charging. (Please refer to the section on maintenance for related procedures)

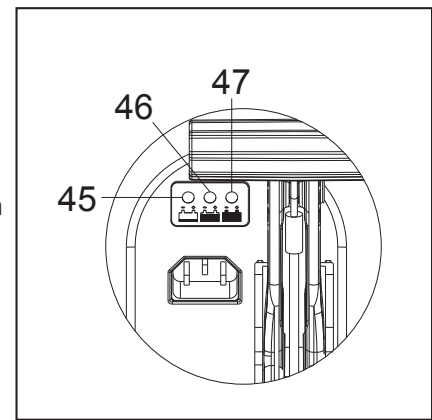


FIGURE 3

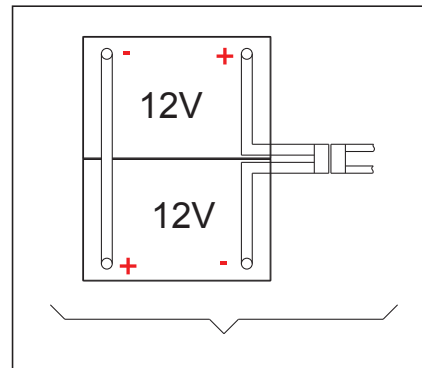


FIGURE 4

## IF YOU NEED TO REPLACE THE BATTERIES

1. Contact your local authorized Clean Freak distributor for proper batteries.
2. Set the machine and the on-board charger (if equipped) according to the type of batteries (WET or GEL/AGM). Follow battery installation instructions as outlined below.

## INSTALLING BATTERY AND SETTING BATTERY TYPE (WET OR GEL/AGM)

According to the battery type(WET or GEL/AGM) set the electric circuit board on the on-board charger. The procedures are as follows:

1. Make sure the battery connector (9) is disconnected. If the machine is based on "AGM" battery at the factory, go directly to Step 8; otherwise, complete Steps 2, 3, and 4.
2. Remove drain hose (15)
3. If equipped with on-board charger, please take off the charge wire from the reel.
4. Take off the control cover (5), and the battery cover screws (10). Remove the screws on the PCB stand. The DIP switch (B) for setting the battery model can be seen when flipping over the PCB board. (See Figure 5)
5. Adjust the micro DIP switch (B) to the position of "WET",
6. Complete Steps 3, 4 and 5 in reverse order.

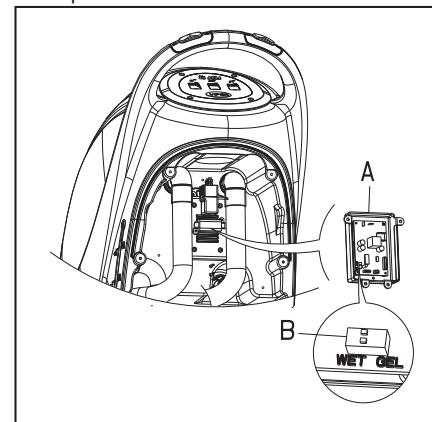


FIGURE 5

## INSTALLING BATTERIES

7. Disconnect the battery connector (9).
8. Open the recovery tank cover (25) and check if the recovery tank is empty or not; if not, empty it through drain hose (15).
9. Unscrew the squeegee mount knob (16), remove the squeegee vacuum hose (11), and then remove the squeegee.
10. Unscrew the screws of the battery cover (10) and remove the cover.
11. Unscrew the squeegee lift cable (12) connecting to the squeegee bracket (19), and place the cable to the side.
12. Hang drain hose (15) and the vacuum hose (11) upwards.
13. According to the size of the battery, push the fixation board in the battery box all the way inwards.

### NOTE

The dimension of the battery must not exceed: H x W x H: 330mm x 170mm x 260mm.

According to the varying dimensions of batteries, the requirements for the selection of fixed batteries are as follows:

- 1) For battery with length below 270mm, use 2 pieces of the fixation board (B, Figure 6) and place them side by side inside the water tank battery;
- 2) For battery with length between 310mm-270mm, use 1 piece of the fixation board (B, Figure 6) and place it in the water tank battery;
- 3) For battery with length between 330mm -310mm, there is no need for the fixation board to fix the position.

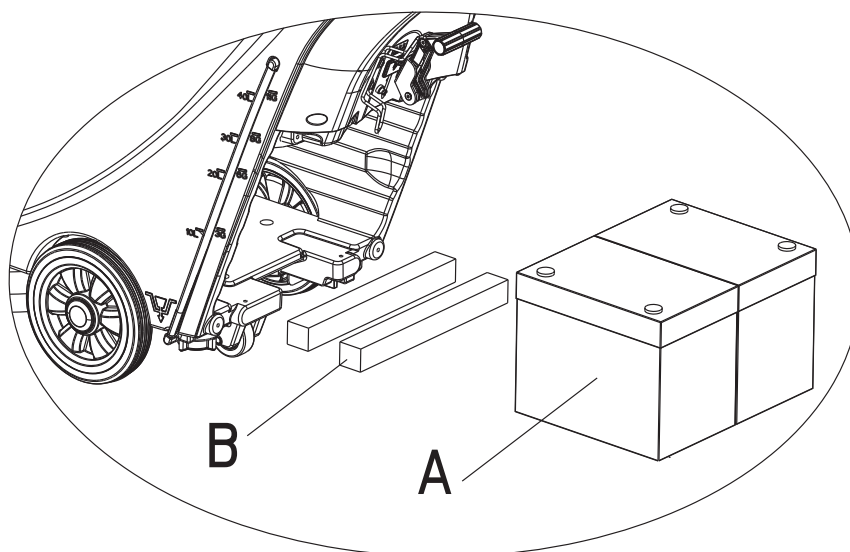


FIGURE 6

## INSTALLING BATTERIES (CONTINUED)

14. Install the battery with specially made battery installation tools (A, Figure 7). After the battery is installed, remove the battery installation tools, and install the battery fixation bracket (B, Figure 7).

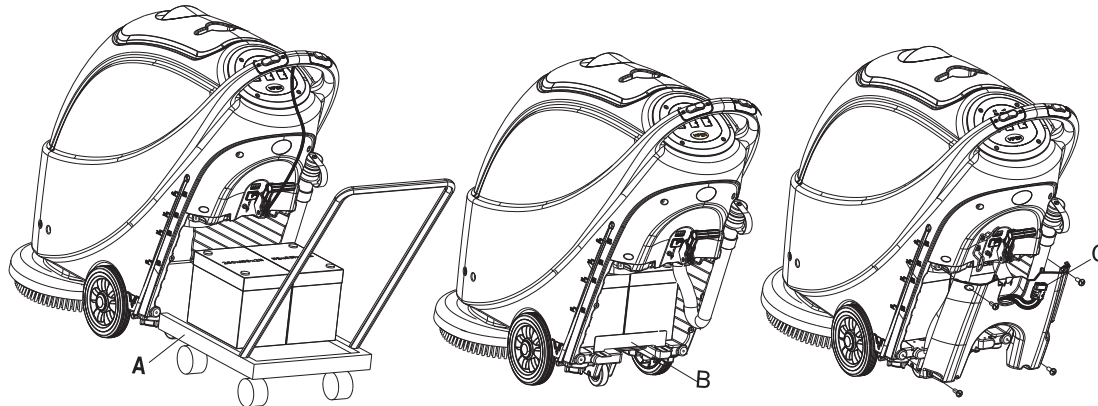


FIGURE 7

15. Put the battery connector (C, Figure 7) through the hole on the top of the battery box cover, put the drain hose through the right hole of the battery box cover, attach the battery box cover with 4 screws, and then install the squeegee lift cable, drain hose, and the squeegee successively.
16. To charge the battery (refer to the steps stated in the maintenance section).

## BEFORE MACHINE START-UP

### BRUSH / PAD-HOLDER INSTALLING AND REMOVAL

#### NOTE

According to the type of floor to be cleaned, the machine may be installed with brush (Figure 8, A), or a pad-holder (Figure 8, B and C).

## ⚠ CAUTION !

When manually installing or removing the brush/pad-holder, first ensure that all the switches are in the "off" position and lift the squeegee off the floor. Only after which can the brush or pad-holder be worked on. Always wear protective gloves.

1. Make sure the switch (41) is at the disconnecting (Off) position.
2. Press down the handle (2) to lift the tank body (26).
3. Put the brush (A) or the pad-holder (B – C) under the case.
4. Use the handle (2) to lower the tank body (26) to come into contact with the brush or pad-holder.
5. Manually attach by following the arrow head (D) to install the brush/pad-holder (as shown in Figure 8).
6. Remove by turning the brush/pad-holder in the opposite direction and it can be taken off. (Figure 8)

## SQUEEGEE ADJUSTING

7. Install the squeegee and tighten the knobs. Then connect the vacuum hose to the squeegee assembly..
8. Adjust the squeegee through the adjusting handle (A) of the squeegee (Figure 9).
  - 1) If the mid-section of the rear squeegee bracket, section B, has a gap with the floor or the downward pressure is relatively light, adjust the handle in an anti-clockwise direction until the whole length of the rear squeegee strip touches well with the floor. The front squeegee strip should lightly touch the floor.
  - 2) If the two ends of the rear squeegee strip, sections C and D, have a gap with the floor or the downward pressure is relatively light, adjust the handle in a clockwise direction until the whole length of the rear squeegee strip touches well with the floor. The front squeegee strip should Lightly touch the floor.

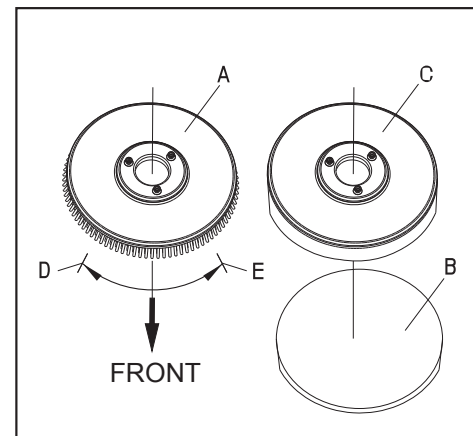


FIGURE 8

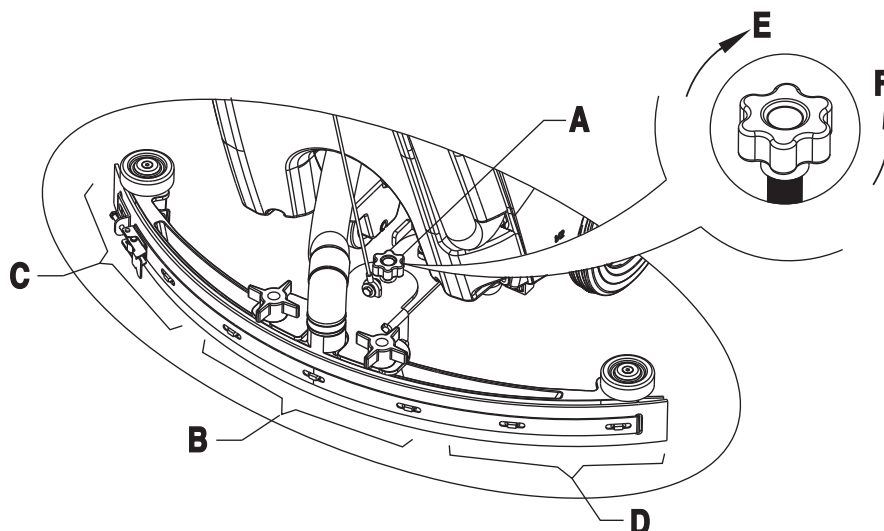


FIGURE 9

## SOLUTION TANK FILLING

### ⚠ CAUTION !

Only low foam, nonflammable detergents may be used. These detergents must be suitable for the use of scrubbers.

- Open the water inlet cover (27) and add water to solution tank. Do not overfill the tank. When preparing the cleaning solutions, please follow the dilution rates supplied by the chemical manufacturer. Water temperature must not exceed 40°C.

## REGULATING WATER FLOW

### ⚠ WARNING !

Regulating the ball valve handle (A, Figure 10) must be done under the condition when the power switch (41) is in the "Off" position.

- The volume of the water flow may be adjusted through the ball valve handle (A, Figure 10) according to the amount of water required for your scrubbing application.

## MACHINE START AND STOP

Starting the machine

- Complete the preparatory steps as outlined above.
- Press the power switch (41) to the "I" position.
- Use the squeegee handle (14) to lower the squeegee.
- Press the Vacuum switch (42) to the "I" position.
- Press the solution switch (44) to the "I" position. (Work simultaneously with the safety switch (1) to control the solenoid valve.)
- Squeeze the on / off switch (1) and push to move the machine. When switches are squeezed, the brush (29) will rotate, and the solution will flow.

## CONSULTATION:

Each safety switch is capable of controlling independently the operation of the brush. In use, it facilitates the control of the operation of the machine. Operators are encouraged to find the most comfortable position their hands.

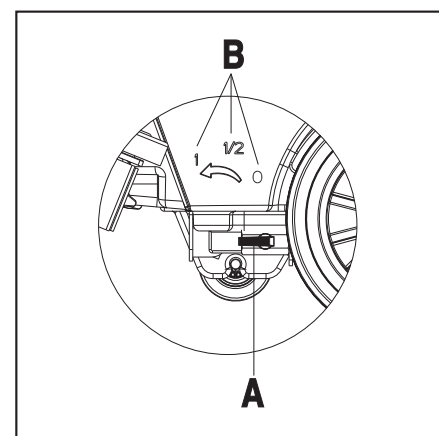


FIGURE 10

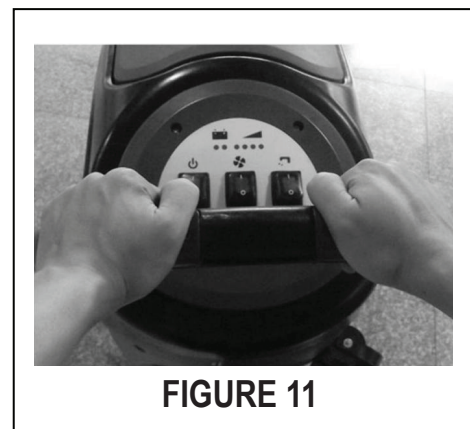
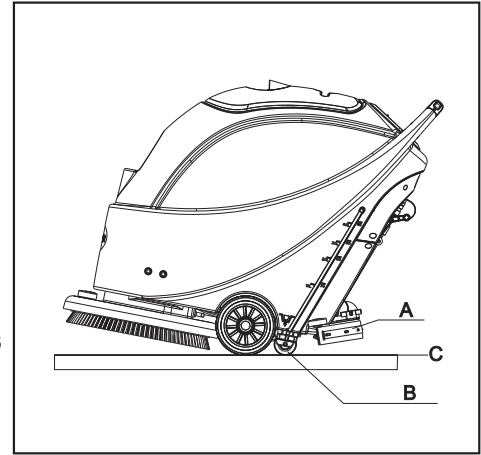


FIGURE 11



## TURNING OFF THE MACHINE

7. When you have finished using the machine, first remove the brush/pad-holder (refer to the steps mentioned above)
8. Release the safety switch (1) to turn off the brush/pad holder and solenoid valve.
9. Press the Vacuum switch (42) to the "Off" position, and the Vacuum will delay for 5 seconds before stopping work.
10. Press the solution control switch (44) to the "Off" position to completely turn off the solution flow.
11. Press the power switch (41) to the "Off" position.
12. Use the squeegee lift handle (14) to lift the squeegee.
13. Grasp the handle (2) and gently tilt the machine backward until the guide wheel (B) touches the floor. See Figure 12.



**FIGURE 12**

## MACHINE OPERATION

1. Start the machine according to the description above.
2. Hold the on / off switch (1) (Figure 11), push to move the machine, and start the scrubbing.
3. If necessary, turn off the machine, and adjust the squeegee. (Refer to the steps for squeegee adjustment)
4. If necessary, turn off the machine, and adjust the solution flow with the ball valve handle. (Refer to the steps for adjusting solution flow.)

## ⚠ CAUTION !

In order to avoid damaging the floor, when the machine stays in one place without moving, remove hands from switches & turn off the main power switch (41).

### Battery discharge during operation

5. It is only when the green warning light (38) is continuously lit that the power supply of the battery is sufficient for the normal operation of the machine.

### NOTE

When all the four green lights (38) turn on, it shows that the battery is fully charged. When only the last green light (38) is on, and begins to flash, suggest charging the battery, as the machine will stop automatically after a few minutes. After the last green light (38) turns off, and the red light (39 and 40) begins to flash, the machine will stop automatically after a few seconds. (Refer to the steps related in the maintenance section).

## ⚠ CAUTION !

Do not use the machine when the power supply of the battery is insufficient, so as to avoid damaging the battery and shortening the battery life.

## TANK EMPTYING

When recovery tank is full, a float shut-off device (36) will block the inlet connecting to the vacuum motor. Through a sudden increase of noise from the vacuum motor, it can be considered that the recovery tank is full and requires immediate draining.

## ⚠ CAUTION !

If the vacuum motor is suddenly turned off (due to sudden movement resulting in an activation of the float), and if a resumption of operation is needed, please perform the following steps: press the power switch (41 and 42) to turn off the power and the vacuum motor, and open the recovery tank cover (25) to check if the float has returned to the water surface. Close the recovery tank cover (25), and press the power switch (41 and 42) to turn on the main power and the vacuum motor.



## RECOVERY TANK EMPTYING

1. Turn off the machine.
2. Raise the squeegee assembly (14).
3. Move the machine to a dedicated draining location.
4. Grasp the handle (2) and tilt the machine backward until the guide wheel touches the floor.
5. Remove the drain hose from the clip, bend the top end of draining hose (A, Figure 13), and then remove the drain hose cap. Lower the hose to a low level or on the ground to drain the water. Alternatively, place drain hose to a low position or on the ground to make the water outlet face downward (B, Figure 13), and then twist open the drain cap to drain the wastewater in the tank. After draining is completed, rinse the inside of recovery tank with clean water

## **!** CAUTION !

When draining the wastewater, the drain hose must be folded or lowered to a lower position (Figure 13 A or B), and the cap removed for wastewater to drain. Do not allow the opening of the drain hose to face upward, as it could get wastewater on the operator..

## SOLUTION TANK EMPTYING

6. Complete Steps 1 to 4.
7. As shown in Figure 14, turn open the lid of Solution tank (A) counter clockwise (direction C), to drain Solution tank completely. Use clean water to rinse the inside of Solution tank. When work is completed, replace the solution tank lid (A) by twisting in a clockwise in direction (B).

## AFTER EACH USE

When work is done and before leaving the machine, completes the following steps:

1. Remove the brush / pad holder.
2. Drain solution tank & rinse with clean water.
3. Drain recovery tank & rinse with clean water.
4. Complete the daily maintenance procedures. (see maintenance section)
5. Remove and rinse squeegee assembly with damp towel.
6. Keep recovery tank lid unsealed from tank to allow fresh air to circulate freely

## PERIODS OF INACTIVITY

If the machine is not to be used for more than 30 days, please treat it in the following way:

1. Complete the necessary procedure that should be followed after the machine is used.
2. Disconnect the connector (9) connecting the battery and the machine.
3. In order not to damage the batteries, the batteries should be charged once every 3 months.

## USING FOR THE FIRST TIME

After the first 9 hours of use, please check components to ensure all connections (electrical & mechanical) are tight & check for any damage that may have occurred during operation. Check for water leakage.

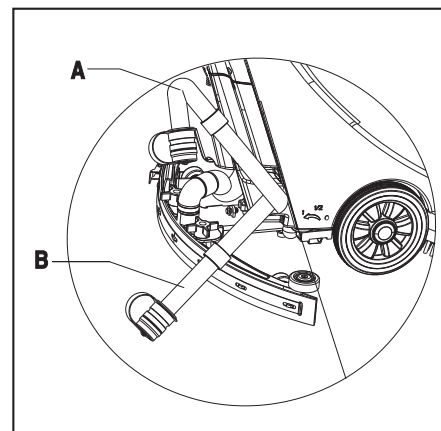


FIGURE 13

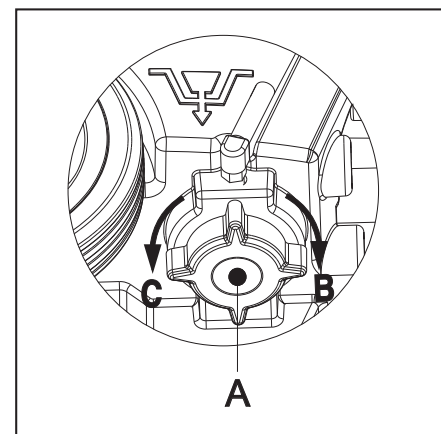


FIGURE 14

## MAINTENANCE AND CARE

The service life and the maximum operation safety of the machine are assured by proper and timely maintenance and care.

The following table is a routine maintenance guide for the machine. The time intervals of maintenance are determined to a large extent by the working conditions of the machine. These time intervals should be formulated by the person responsible for the maintenance.

### WARNING !

Only after the main power is turned off and the connection between the machine and the battery is disconnected should these procedures be performed. Prior to proceeding with any of the maintenance procedures, please study carefully the related safety sections.

All maintenance should be done by qualified personnel or authorized Clean Freak service centers.

This manual only relates the simplest and the most common maintenance procedures.

For any maintenance procedures other than those stated in this table of planned maintenance, please contact your local Clean Freak distributor.

## SCHEDULED MAINTENANCE TABLE

	After each use	Weekly	Every six months	Annually
Charge battery				
Clean Squeegee				
Clean Brush/Pad holder				
Clean water tank and float filter, inspect tank gaskets				
Inspect and change the squeegee blades				
Clean solution filter				
Clean Vacuum motor filter				
Inspect liquid level of WET battery				
Inspect tightness of nuts and bolts			(1)	
Check brush motor carbon brushes				(2)
Check vacuum motor carbon brushes				(2)

(1) = After the first 9 working hours.

(2) = This maintenance procedure must be performed by an authorized Service Center.

## BATTERY CHARGING

### NOTE

It is time to charge the battery when the amber or red warning light is lit up, or every time when work is done.

### CAUTION !

Keep the battery in a fully charged condition in order to extend the service life of the battery.

Once the power of the battery becomes insufficient, the battery must be charged as soon as possible. Please check the charger at least once a week.

If an on-board charger is not equipped, please select a suitable external charger to charge the battery.

## **⚠ WARNING !**

Particular care must be taken when charging the battery because there may be leakage of acid during the charging process. Battery acid is corrosive. If contact is made with skin or eyes, please flush with clean water and seek medical attention.

1. Open recovery tank lid (25) and observe if recovery tank is empty or not. If it is not empty, empty it through drain hose. (15).
2. Move the machine to a specified charging area.
3. Press the power switch (41) to the "off" position to turn off the machine.
4. Only applicable to WET batteries:
  - Check the level of electrolyte inside the battery. If necessary, fill it up through the lid.
  - Keep all lids open.
  - If necessary, clean the top surface of the battery.
5. Select one of the following procedures to charge the battery according to the model of battery being used.

### **TO CHARGE A BATTERY WITH AN EXTERNAL CHARGER**

6. Confirm that the external charger is compatible. The output voltage must be DC 24V.
7. Connect the battery connector to the external charger, and connect the external charger to an approved power outlet.
8. When charging is complete, connect the charging connector of the battery to the machine.

### **TO CHARGE A BATTERY WITH AN ON-BOARD CHARGER (OPTIONAL)**

9. Remove the rubber cap at the end of the battery charging connector.
10. Connect the end of the battery charging connector with the power supply with a charge connecting wire. (Please note whether the input voltage of on-board charger is 110V – 120V and the output voltage 24V and frequency meet the requirements.) When the charger is connected to the power supply, all other functions will be cut off automatically. If the red warning light on the on-board charger continues to light, it shows that the charger is charging the battery.
11. When the green warning light (47) is on, it shows that the battery charging process is complete.
12. When charging is complete, remove the connecting wire from the end of the battery charging connector and the power supply, and put on the rubber cap.
13. Disconnect the charger wire from the power supply, and wind the wire on the reel (6).

#### **NOTE**

If more information on on-board charger (35) is needed, please refer to the charger operators manual.

### **SQUEEGEE CLEANING**

#### **NOTE**

In order to maintain the optimal squeegee performance, the squeegee must be kept clean, and the squeegee blades must remain in good condition.

## **⚠ CAUTION !**

When cleaning the squeegee, it is recommended to put on protective gloves as the squeegee may contain sharp debris.

1. Move the machine to a flat and smooth surface.
2. Press the power switch (41) to the "O" position to turn off the machine.
3. Unscrew the squeegee knobs (16); remove the vacuum hose from the squeegee assembly & remove squeegee.
4. Use the squeegee lift handle (14) to lift the squeegee mount bracket.
5. Using a damp towel, clean the squeegee (Figure 15). Clean in particular the groove (A, Figure15) and the dirt and fragments on the vacuum tube. Check if the front squeegee blade (C) and the rear squeegee blade (D) are intact, and if there are broken edges and cracks. Replace them if necessary (refer to the steps in the following section).
6. Re-install the squeegee in the reverse order of the above

## SQUEEGEE BLADE CHECK AND REPLACEMENT

- Following the methods related in the previous section clean the squeegee (Figure 15)
- Check the edge (E, Figure 15) of the front squeegee blade and the edge (F) of the rear squeegee blade (D). On the whole length, they should be level. Otherwise, adjust their heights through the following procedure.
  - Loosen the clip (G) to let the rear squeegee blade (D) separate from the bracket (M) for the adjustment of the position of the squeegee. After the adjustment, lock the clip once again.
  - Loosen the screw on the handle (I) to adjust the front squeegee blade (C); tighten the handle screw after adjustment.
- Check if the front squeegee blade (C) and the rear squeegee blade (D) is intact and if there are broken edges and cracks. If damage is found, change them according in the following way. If the front edge of the rear squeegee blade (J) has worn, it can be flipped upside down and re-installed (the top edge is required to be intact). If the top edge is also worn, change it by following the procedure below:
  - Loosen the clip (G) to let the pressure blade separate from the bracket (M), take off the clip bar (K), and then change or turn the rear squeegee blade (D) upside down. Re-install the rear squeegee blade in the reverse order of taking it off.
  - Loosen the handle screw (I) and take off the front clip bar (L), and then change the front squeegee (C). Re-install the front squeegee blade in the reverse order of taking it off. After changing the squeegee blade, adjust the level of the front and rear squeegee blades in the procedures as described above.
- Connect the Vacuum hose (11) to the squeegee.
- Install the squeegee and tighten the knobs.
- If necessary, adjust the squeegee by turning the adjustment knob (20) (refer to the procedures for adjusting the balance of the squeegee).

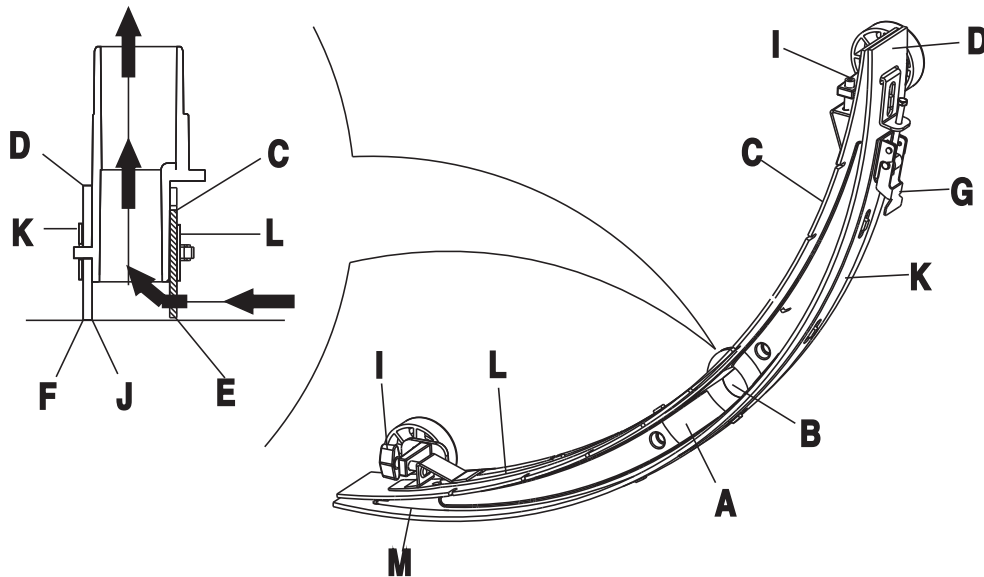


FIGURE 15

## BRUSH/ PAD CLEANING

### ⚠ CAUTION !

When cleaning the brush/pad-driver, wearing protective gloves is Recommended as the brush / pad may contain sharp debris.

- Remove the brush/pad-driver.
- With the use of water and detergents, clean the brush/pad driver.
- Check the brush for wear & if necessary, replace the brush.
- Check the pad driver for wear & if necessary, replace the pad driver.

## WATER TANK AND FLOAT FILTER MESH CLEANING

1. Move the machine to a dedicated draining area.
2. Press the power switch (41) to the position "O" to turn off the machine.
3. Open recovery tank lid (A, Figure 16), and remove the float device (36) from inside the tank.
4. Use clean water to rinse the recovery tank lid (A), the tank (B and C), and the float filter support frame (E). Drain all the water from the water tank.
5. If necessary, following the symbols "Open" and "Close" as shown in Figure 16, open the bottom lid (F) of the float filter and clean the float (D), float filter support frame (E), and the filter sponge (I). After cleaning, re-attach the float onto the support frame (E), and then align the mark groove (L) of the bottom lid (F) of the float filter with the mark groove (L) of the float filter support frame (E). Turn the bottom lid (F) of the float filter tight, and re-attach the filter sponge (I) onto the support frame (E), and then onto the vacuum tube (M).
6. Inspect the seal / gasket (G) of the recovery tank lid. If necessary, the recovery tank seal / gasket (G) may be taken out from the groove (H) and changed. When installing the new seal / gasket as shown in Figure 16 below, install the connector to the middle section of the rear part.

### NOTE

The seal / gasket (G) of the recovery tank allows the tank to create a vacuum. It must be completely sealed to be able to effectively suck the wastewater from the floor.

7. Check if the receiving surface of the sealing strip (G) is intact and seals adequately.
8. Close recovery tank lid (A).

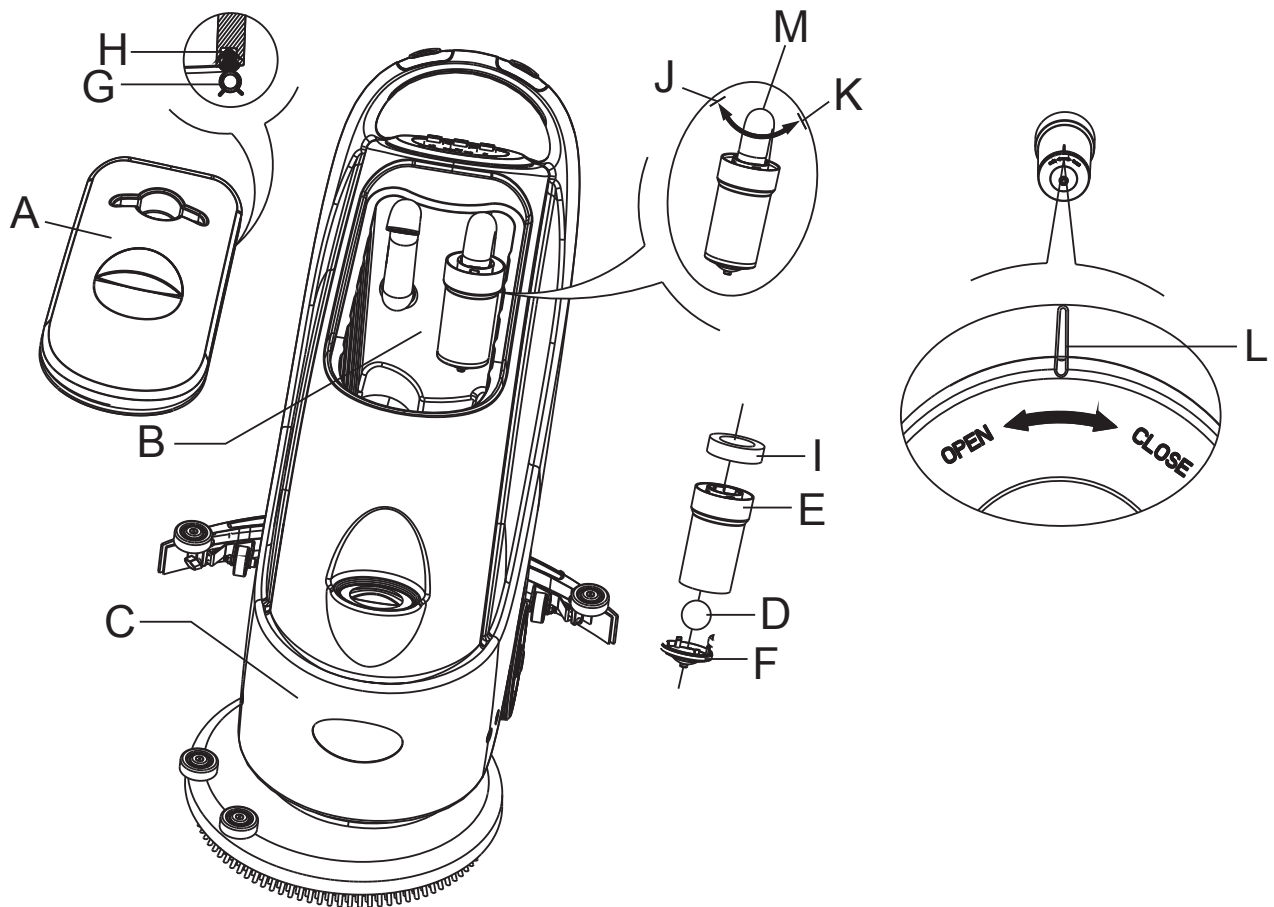


FIGURE 16

## SOLUTION FILTER CLEANING

1. Drain all the water from Solution tank as previously outlined.
2. Move the machine to a flat and smooth surface.
3. Press the power switch (41) to the "O" position to turn off the machine.
4. Turn off the draining ball valve (A, Figure 17) (located at the bottom of the machine, behind the wheels). Position B ball valve open, and position C ball valve closed.
5. Remove the transparent cap (D), and then take off the filter (E), and install them onto the filter box (F) after cleaning.

### NOTE

The filter (E) must be accurately installed onto the position of the housing (G).

6. Open the draining ball valve (A).

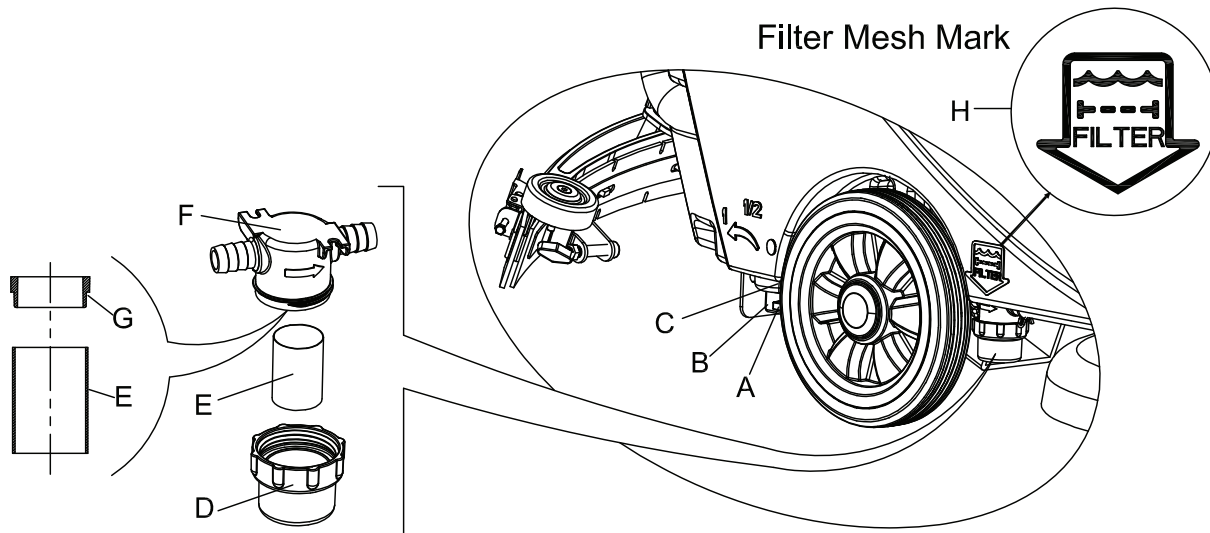


FIGURE 17

## TROUBLESHOOTING

Breakdown	Probable Cause	Remedies
Machine not working: Indication light not on	Battery connector (9) not connected.	Connect the battery connector
	Battery power already exhausted	Charge the battery
Warning light (39 and 40) flashing	Brush motor overloaded	Change to a soft brush to adapt to the floor being cleaned
	Obstruction preventing brush from spinning	Clear the brush
Brush not working	Brush fuse trip off	Reset
	Belt slipping	Check belt, adjust tension
Vacuum motor not working	Vacuum fuse trip off	Reset
Inadequate Vacuum	Recovery tank is full.	Drain the recovery tank
	Drain hose and squeegee hose not properly connected	Connect the drain hose and the squeegee hose
	Float filter blocked or inlet blocked	Clean the float filter, check the float ball
	Squeegee dirty or squeegee blade worn and damaged	Clean and check the squeegee
Recovery tank lid not properly sealed, or the seal / gasket for recovery tank damaged	Recovery tank lid not properly sealed, or the seal / gasket for recovery tank damaged	Refit on the lid properly, replace the recovery tank seal / gasket
	Water supply to the brush inadequate	Filter dirty
Squeegee leaving marks	Debris fragments under the squeegee blade	Remove the fragments
	Squeegee blade worn, cracked or brittle.	Replace the squeegee blade
	Balance of squeegee not adjusted	Adjust the balance



**ÍNDICE**

	<b>Página</b>
Introducción .....	B-3
Contenido .....	B-3
Objetivo .....	B-3
Repuestos y mantenimiento .....	B-3
Cambios y mejoras .....	B-3
Aplicación de la máquina .....	B-3
Desembalaje y transporte .....	B-3
Guías de seguridad .....	B-4
Información técnica .....	B-5
Componentes de la máquina .....	B-6 – B-7
Panel de control .....	B-6 – B-7
Indicador luminoso de carga .....	B-8
Guía de uso .....	B-8
Instalación de las baterías .....	B-8 – B-10
Antes de arrancar la máquina .....	B-10
Instalación y remoción del cepillo/portabayetas .....	B-10
Ajuste de la escobilla .....	B-10
Regulación del flujo de agua .....	B-11
Arranque y detención de la máquina .....	B-11
Funcionamiento de la máquina .....	B-12
Vaciamiento de depósito .....	B-12
Luego de cada uso .....	B-13
Períodos de inactividad .....	B-13
Primer uso .....	B-13
Mantenimiento y cuidado .....	B-14
Tabla de mantenimiento programado .....	B-14
Carga de la batería .....	B-14 – B-15
Limpieza de la escobilla .....	B-15
Verificación y el reemplazo de la hoja de la escobilla .....	B-16
Limpieza de cepillo/almohadilla .....	B-16
Depósito de agua y malla de limpieza del filtro flotante .....	B-17
Limpieza del filtro de solución .....	B-18
Resolución de problemas .....	B-18
Lista de piezas .....	D-2 – D-12



## INTRODUCCIÓN

### NOTA

Los números mostrados en paréntesis corresponden a los números del plano de despiece de la máquina.

## CONTENIDOS

Este manual está destinado a proporcionar al operador la información necesaria para utilizar este equipo de manera adecuada y segura. La información incluye datos técnicos, de seguridad, de funcionamiento, de almacenamiento, de mantenimiento y de eliminación de la máquina. Todos los operadores y técnicos deben estudiar cuidadosamente este manual antes de operar o arreglar a la máquina. Por favor, en caso de duda póngase en contacto con su distribuidor local de Clean Freak .

## PROPÓSITO

La intención de este manual es la de educar al operador y técnico en el uso y mantenimiento adecuado de esta máquina.

## REPUESTOS Y MANTENIMIENTO

Todas las operaciones, mantenimientos y procedimientos de reparación necesarios, deben ser realizados por un servicio técnico autorizado por Clean Freak .

Deben utilizarse únicamente repuestos y accesorios autorizados.

Si se necesitan servicios, piezas o accesorios, por favor póngase en contacto con su distribuidor local de Clean Freak .

## CAMBIOS Y MEJORAS

CLEAN FREAK constantemente hace mejoras en sus productos. CLEAN FREAK se reserva el derecho de cambiar y mejorar las máquinas. Todos los cambios / mejoras deben ser realizados por un servicio técnico autorizado de Clean Freak .

## APLICACIÓN DE LA MÁQUINA

Esta limpiadora se utiliza en entornos comerciales e industriales y es adecuada para la limpieza de suelo duro y liso. Debe ser utilizada por personal cualificado y en un ambiente seguro. Esta máquina no debe usarse al aire libre, en alfombras o en los pisos gruesos.

## DESEMBALAJE Y TRANSPORTE

Por favor, siga cuidadosamente las instrucciones del paquete al desembalar.

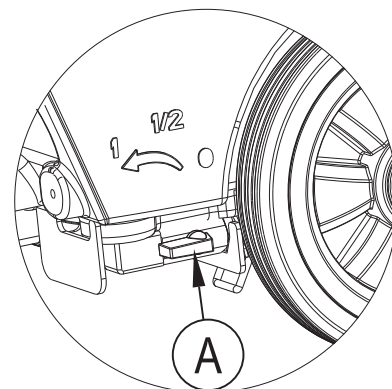
Al momento de la entrega, inspeccione el embalaje y la máquina para asegurarse de que no se han producido daños durante el transporte. Si hay algún daño visible, póngase en contacto con el distribuidor donde adquirió la máquina.

### **⚠ ¡PRECAUCIÓN!**

Al desembalar y descargar, o durante el transporte, por favor, tenga cuidado de no golpear la válvula de solución. Parte A en la figura de la derecha.

Compruebe si la máquina está equipada con los siguientes elementos:

1. Documentación técnica
  1. -Manual de uso de la limpiadora
  2. -Manual del cargador incorporado (si está incluido)
2. Cable de alimentación del cargador



## GUÍAS DE SEGURIDAD

Las siguientes son advertencias y avisos de daños potenciales (del personal y de la máquina):

### ¡ADVERTENCIA!

- La máquina sólo debe utilizarse bajo la dirección de este manual. Sólo deben utilizarse accesorios aprobados por Clean Freak .
- Este equipo debe ser utilizado por personal capacitado y autorizado. Los niños o personas inexpertas no deben utilizar esta máquina.
- Bajo condiciones de uso normales, la batería puede emitir gas inflamable. Las baterías deben mantenerse alejadas de radiación, luminaria, y artículos en combustión, así como de las chispas. Cuando la máquina esté siendo utilizada, asegúrese de que el ambiente esté bien ventilado y que la máquina esté alejada de las llamas. Durante la carga, por favor no fume cerca de la máquina.
- Por favor desconecte la batería antes de realizar cualquier operación de mantenimiento o reparación.
- Antes de utilizar el cargador incorporado, por favor asegúrese de que los valores de tensión y frecuencia indicados en la etiqueta del número de serie, coinciden con los de la fuente de alimentación.
- Al trabajar cerca de partes eléctricas, por favor no use joyas. Por favor, tome todas las medidas preventivas para evitar que el pelo, las joyas y la ropa suelta sean enganchadas por las partes móviles de la máquina.
- Antes de fregar, lo mejor es barrer la zona a limpiar. No lave la máquina directamente con agua. No deje que la máquina entre en contacto con líquidos corrosivos.
- La temperatura de almacenamiento y el medio ambiente de trabajo de la máquina debe estar entre 0 - 40 ° C.
- La humedad del aire debe estar entre el 30% - 105%.
- No utilice la máquina en una pendiente con un gradiente de más del 2%.
- En caso de incendio, utilice extintores de polvo seco. No usar extintores de líquidos.
- Debe prestarse especial atención cuando la máquina se transporta por debajo de 0 ° C. El depósito de agua y el agua en las mangueras pueden congelarse y causar graves daños a la máquina.
- Utilice el cepillo o portabayetas proporcionados junto con la máquina y especificados en el manual de uso. El uso de otros cepillos o almohadillas podría reducir la seguridad.
- En caso de mal funcionamiento de la máquina, por favor asegúrese de que éste no es causado por falta de mantenimiento. Si es causada por otras condiciones, póngase en contacto con su centro local de servicio autorizado Clean Freak . Si se confirma que las piezas de repuesto deben ser sustituidas, por favor asegúrese que sean piezas originales de su distribuidor local de Clean Freak .
- Con el fin de garantizar un funcionamiento seguro y correcto de la máquina, se recomienda que su servicio técnico autorizado por Clean Freak realice el mantenimiento programado de acuerdo con los programas de mantenimiento descritos en este manual.
- Esta máquina debe desecharse de forma adecuada de acuerdo con las leyes y reglamentos locales (por favor refiérase a la sección de la eliminación de la máquina).

**DATOS TÉCNICOS**

Modelo	CPL DURA-20B
Altura de la máquina	980mm
Capacidad del depósito para la solución	40 litros
Capacidad del depósito de recogida	40 litros
Diámetro de la rueda de transporte	200mm
Diámetro de la rueda de guía	76mm
Potencia del motor del sistema de aspiración	350w
Pendiente máxima cuando se trabaja	2% (Max)
Nivel de presión sonora en el lugar de trabajo	70dB(A) ±3dB(A)
Baterías estándar	(2×12V) 24V 105Ah AGM
Medidas del compartimento de batería (A x Lx Alt)	340 x 330 x 260mm(Max)
Capacidad del circuito del sistema de aspiración	1200 mm H <sub>2</sub> O
Anchura de limpieza	510mm
Anchura de la escobilla	790mm
longitud máxima de la máquina	1.100mm
Ancho de la máquina sin escobilla	540mm
Diámetro del cepillo	510mm
Peso con las baterías y depósitos vacíos	128kg
Peso bruto de la máquina lista para usar	168kg
Potencia del motor del cepillo	560W
Velocidad del cepillo	150rpm
Presión máxima del cepillo/portabayetas	35kg (Max)
Medida del paquete (Lx Ax A)	1200 x 610 x 1170mm

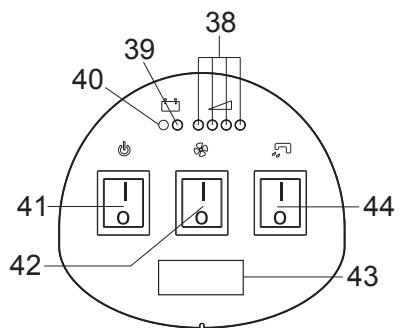
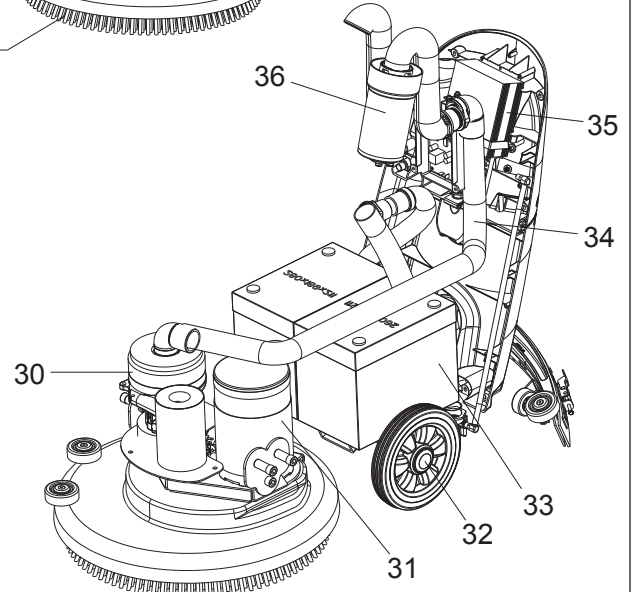
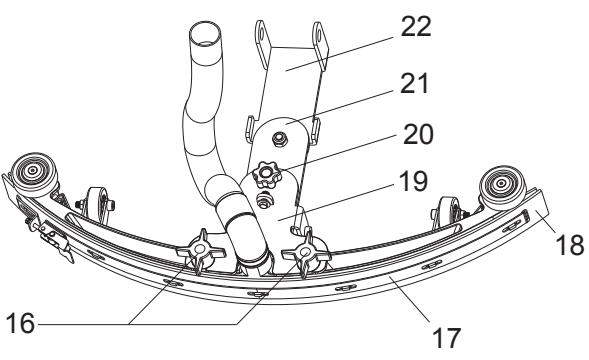
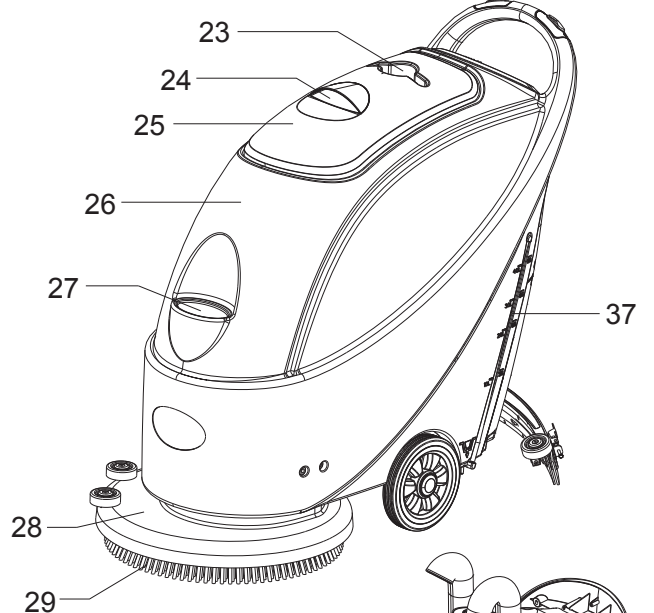
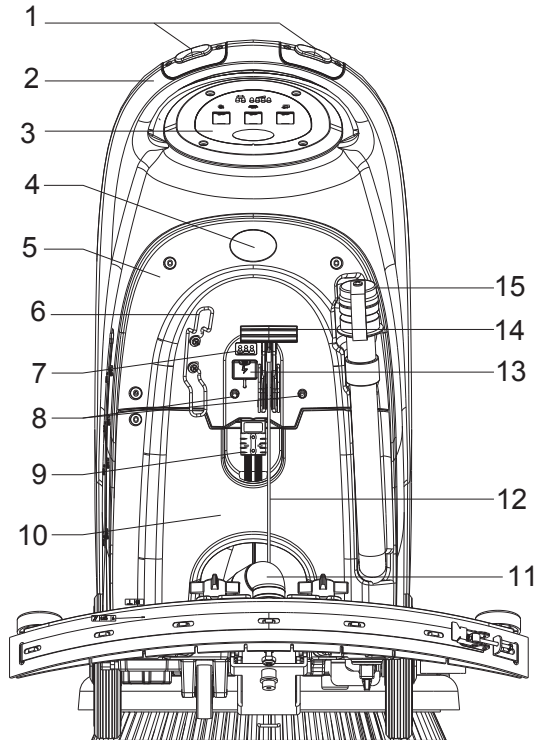
## COMPONENTES DE LA MÁQUINA

1. Botón de seguridad
2. Asa
3. Panel de control
4. Placa con número de serie y datos técnicos
5. Tapa de control
6. Soporte para cable (\*)
7. Indicador luminoso de carga de batería
8. Interruptor de reinicio
9. Conector de batería
10. Tapa de batería
11. Tubo de drenaje
12. Cable de elevación de la escobilla
13. Tapa de seguridad del conector de batería
14. Palanca elevadora de la escobilla
15. Tapón de drenaje
16. Manija de la escobilla
17. Presilla de la escobilla
18. Hoja de la escobilla
19. Abrazadera de la escobilla
20. Perilla de ajuste de la escobilla
21. Bastidor de apoyo trasero de la escobilla
22. Bastidor de apoyo delantero de la escobilla
23. Soporte de cubeta
24. Manija de la tapa del depósito de recuperación
25. Tapa del depósito de recuperación
26. Depósito de recuperación
27. Carga de solución
28. Plataforma de cepillos
29. Cepillo/ portabayetas
30. Motor de vacío
31. Motor de la escobilla
32. Rueda de 8"
33. Batería
34. Tubo de aspiración
35. Cargador (\*)
36. Filtro flotante
37. Tubo de nivel de agua

(\*) aplicable únicamente a las máquinas ya instaladas con cargador integrado (opcional)

## PANEL DE CONTROL

38. Luz indicadora de carga de batería (verde cuando está saturada)
39. Luz indicadora de batería agotada (rojo)
40. Luz indicadora de batería agotada (rojo)
41. Conmutador de corriente
42. Interruptor de aspiración
43. Cronómetro (opcional)
44. Interruptor de la solución



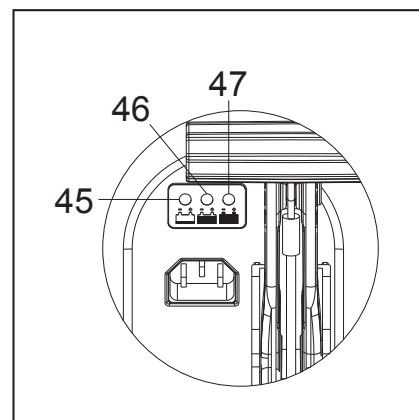
## INDICADORES LUMINOSOS DE CARGA (FIGURA 3)

(Opcional, aplicable a modelos con cargador incorporado)

1. Cuando se inicia la carga, la luz indicadora de color rojo (45) parpadea unas cuantas veces y luego se estabiliza en una luz permanente de aviso roja, entrando en la primera etapa de la carga.
2. Después de cargar por un período de tiempo, la luz de color rojo (45) se apagará. Una luz indicadora de color amarillo (46) se encenderá en forma permanente: entrando en la segunda etapa de la carga.
3. Después de cargar durante aproximadamente 10 horas, la luz indicadora de color ámbar (46) se apagará y la luz verde (47) quedará permanentemente encendida, lo que indica que la carga está completa, y que el proceso de carga ha finalizado.

### NOTA

- 1) Durante la carga, si la luz de indicación de color amarillo parpadea: la batería es incompatible con el cargador o la batería no está correctamente conectada, o un corto circuito ha tenido lugar en la terminal de salida.
- 2) Si la luz indicadora roja parpadea: hay un cortocircuito en el interior del cargador. (Para más detalles, consulte las secciones relacionadas a la instrucción de carga.)



**FIGURA 3**

## GUÍA DE USO

### ⚠ ¡ADVERTENCIA!

En ciertas partes de la máquina tienen pegados algunos signos indicativos:

### ⚠ ¡PELIGRO!

### ⚠ ¡ADVERTENCIA!

### ⚠ ¡PRECAUCIÓN!

## CONSULTE

Al leer este manual, el operador debe prestar especial atención a los símbolos en estas etiquetas. En ningún caso deben cubrirse estas etiquetas. Si están dañadas, reemplácelas inmediatamente.

## INSTALACIÓN DE LA BATERÍA

### ⚠ ¡ADVERTENCIA!

Si las baterías están mal instaladas o incorrectamente conectadas, los componentes eléctricos de la máquina pueden ser seriamente dañados. Las baterías deben ser instaladas por personal cualificado. De acuerdo con el número de modelo de la batería utilizado (WET o GEL), ajustar la placa de circuito funcional y el cargador incorporado (opcional).

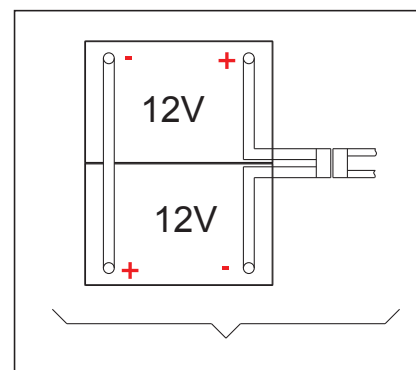
Por favor, compruebe si la batería está dañada antes de instalar.

Desconecte el conector de la batería y el conector del cargador incorporado.

Tenga cuidado al tocar la batería.

Esta máquina requiere de dos (2) baterías de 12V. Pueden utilizarse tanto baterías húmedas como de GEL / AGM. Por favor, conecte como se muestra en la figura 4 a la derecha.

1. Controle las baterías. Asegúrese de que el conector (9) esté conectado a la batería.
2. Presione el interruptor de encendido / apagado (41) a la posición "on". Si la luz verde está encendida, esto indica que las baterías están listas para usar. Si la luz ámbar o la roja está encendida, indica que las baterías necesitan ser cargadas. (Consulte la sección de mantenimiento para los procedimientos relacionados)



**FIGURA 4**

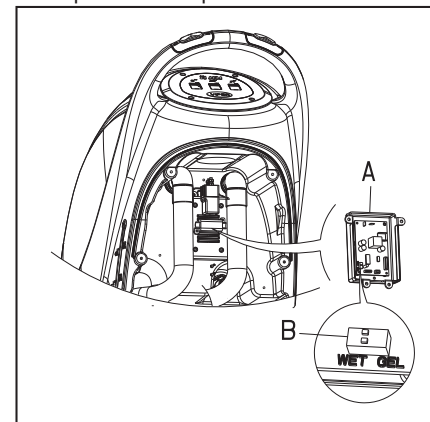
## SI USTED NECESITA REEMPLAZAR LAS BATERÍAS

1. Póngase en contacto con su distribuidor local autorizado de Clean Freak para obtener las baterías adecuadas.
2. Ajuste la máquina y el cargador incorporado (si está instalado), según el tipo de baterías (WET o GEL / AGM). Siga las instrucciones de instalación de la batería como se indica a continuación.

## INSTALACIÓN DE LA BATERÍA Y AJUSTE DEL TIPO DE BATERÍA (WET O GEL/AGM)

De acuerdo con el tipo de batería (WET o GEL / AGM) fijar la placa de circuito eléctrico en el cargador incorporado. Los procedimientos son los siguientes:

1. Asegúrese de que el conector de la batería (9) está desconectado. Si la máquina se basa en la batería de fábrica "AGM", vaya directamente al paso 8; de lo contrario, complete los pasos 2, 3, y 4.
2. Retire la manguera de drenaje (15)
3. Si está equipado con cargador incorporado, por favor, quitar el cable de carga de la bobina.
4. Quite la cubierta del control (5), y los tornillos de la tapa de la batería (10). Quite los tornillos del soporte del circuito impreso (PCB). Puede verse el interruptor DIP (B) para el ajuste del modelo de la batería, cuando se desplaza el panel de circuito impreso (PCB). (Vea la figura 5)
5. Ajuste el interruptor DIP micro (B) a la posición de "WET",
6. Complete los Pasos 3, 4 y 5 en orden inverso.



**FIGURA 5**

## INSTALACIÓN DE BATERÍAS

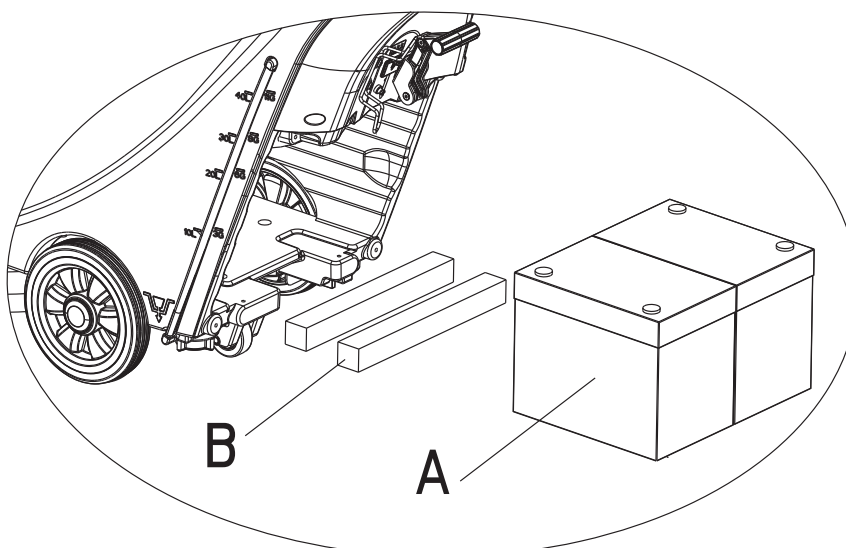
7. Desconecte el conector de la batería (9).
8. Abra la tapa del depósito de recuperación (25) y compruebe si el depósito de recuperación está vacío o no; si no lo está, vaciar a través de la manguera de drenaje (15).
9. Desenrosque las perillas de la montura de la escobilla (16), retire la manguera de aspiración (11) y, a continuación, retire la escobilla.
10. Afloje los tornillos de la tapa de la batería (10) y retire la cubierta.
11. Desenrosque el cable de elevación de la escobilla (12) que conecta al soporte de la escobilla (19), y coloque el cable al costado.
12. Cuelgue las mangueras de drenaje (15) y de aspiración (11) hacia arriba.
13. Según el tamaño de la batería, empuje completamente la junta de fijación en la caja de la batería hacia el interior.

### NOTA

La dimensión de la batería no debe exceder de: Largo x Anchura x Altura: 330mm x 170mm x 260mm

De acuerdo a las dimensiones variables de baterías, los requisitos para la selección de baterías fijas son los siguientes:

- 1) En el caso de una batería de longitud por debajo de 270 mm, utilice 2 piezas de la placa de fijación (B, Figura 6) y colóquelas una al lado de la otra en la batería del depósito de agua;
- 2) En el caso de una batería de longitud entre 310mm-270mm, utilice 1 pieza de la placa de fijación (B, Figura 6) y colóquela en la batería del depósito de agua;
- 3) En el caso de una batería de longitud entre 330 mm-310 mm, no hay necesidad de una junta de fijación para fijar la posición.



**FIGURA 6**



## INSTALACIÓN DE BATERÍAS (CONTINUACIÓN)

14. Instale la batería con las herramientas fabricadas especialmente para la instalación de baterías (A, Figura 7). Una vez instalada la batería, quitar las herramientas de instalación de la batería, e instalar el soporte de fijación de la batería (B, Figura 7).

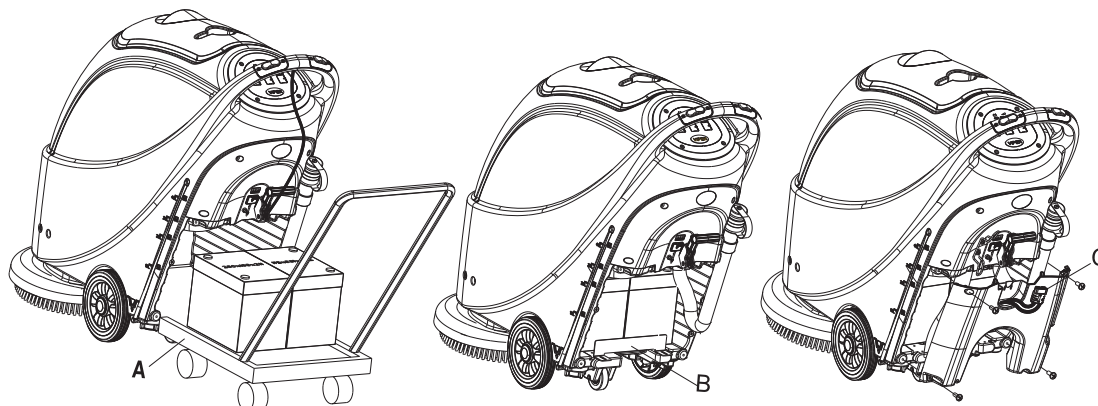


FIGURA 7

15. Coloque el conector de la batería (C, Figura 7) a través del agujero en la parte superior de la tapa de la caja de la batería, inserte el tubo de desagote en el orificio derecho de la tapa de la caja de la batería, luego instale la tapa de la caja de la batería con 4 tornillos y monte el cable de elevación de la escobilla, la manguera de drenaje, y la escobilla sucesivamente.
16. Para cargar la batería (consulte los pasos indicados en la sección de mantenimiento).

## ANTES DE ARRANCAR LA MÁQUINA

### INSTALACIÓN Y REMOCIÓN DEL CEPILLO/PORTABAYETAS

#### NOTA

Según el tipo de suelo a limpiar, la máquina se puede instalar con el cepillo (Figura 8, A), o un portabayetas (Figura 8, B y C).

## ⚠ ¡PRECAUCIÓN!

Al instalar o quitar el cepillo/portabayetas manualmente, primero asegúrese de que todos los interruptores estén en la posición "off" (apagado) y que la escobilla esté levantada del suelo. Solamente después, puede trabajar con el cepillo o portabayetas.

Siempre utilice guantes de protección.

1. Asegúrese de que el interruptor (41) está en la posición de desconexión (Off).
2. Presione hacia abajo el mango (2) para levantar el cuerpo de depósito (26).
3. Coloque el cepillo (A) o el portabayetas (B - C) debajo de la caja.
4. Utilice la manija (2) para bajar el cuerpo de depósito (26) a tomar contacto con el cepillo o portabayetas.
5. Para instalar el cepillo o portabayetas, adjuntar manualmente siguiendo la punta de la flecha (D) (como se muestra en la Figura 8).
6. Retirar girando el cepillo o portabayetas en la dirección opuesta.. (Figura 8)

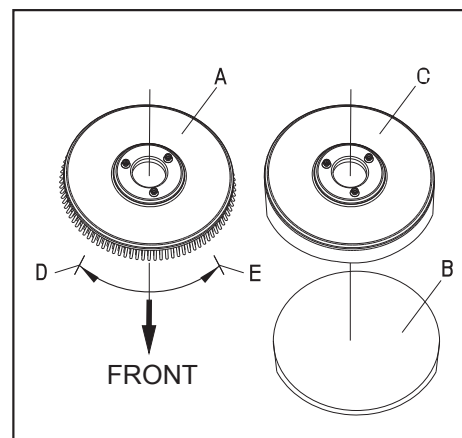


FIGURA 8

## AJUSTE DE LA ESCOBILLA

7. Instale la escobilla y apriete las perillas. A continuación, conecte la manguera de aspiración al conjunto de la escobilla.
8. Ajuste la escobilla mediante la manija de ajuste (A) de la escobilla (Figura 9).
  - 1) Si la sección media del soporte trasero de la escobilla, sección B, tiene una brecha con el suelo o la presión hacia abajo es relativamente ligera, ajuste el mango en el sentido contrario a las agujas del reloj hasta que toda la longitud de la tira trasera de la escobilla toque bien con el suelo. La tira de la escobilla delantera debe tocar ligeramente el suelo.
  - 2) Si los dos extremos de la tira de la escobilla trasera, las secciones C y D, tienen un vacío con el suelo o la presión hacia abajo es relativamente ligera, ajuste el mango en sentido horario hasta que toda la longitud de la tira de la escobilla trasera toque bien con el suelo. La tira de la escobilla delantera debe tocar ligeramente el suelo.



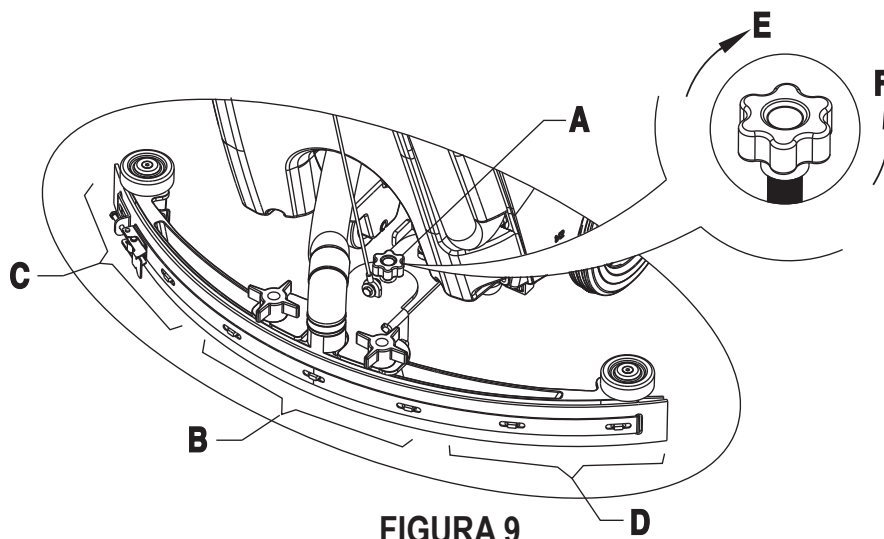


FIGURA 9

## LLENADO DEL DEPÓSITO DE SOLUCIÓN

### ⚠ ¡PRECAUCIÓN!

Usar solamente detergentes de baja espuma, no inflamables. Estos detergentes deben ser adecuados para el uso en fregadoras.

- Abra la tapa de entrada de agua (27) y añada agua al depósito de solución. No sobrecargue el depósito. Cuando prepare las soluciones de limpieza, por favor, siga las medidas de dilución suministradas por el fabricante de productos químicos. La temperatura del agua no debe superar los 40 ° C.

## REGULACIÓN DEL CAUDAL DE AGUA

### ⚠ ¡ADVERTENCIA!

La regulación del mango de la válvula de bola (A, Figura 10) debe hacerse cuando el interruptor de encendido (41) esté en la posición "Off" (apagado).

- El volumen del caudal de agua puede ajustarse a través del mango de la válvula de bola (A, Figura 10) de acuerdo con la cantidad de agua necesaria para su aplicación de lavado.

## ARRANQUE Y DETENCIÓN DE LA MÁQUINA

Arrancando la máquina

- Realice los pasos preparatorios como se indicó anteriormente.
- Presione el interruptor de encendido (41) en la posición "I".
- Utilice el mango de escobilla (14) para bajar la escobilla.
- Presione el interruptor de aspiración (42) en la posición "I".
- Presione el interruptor de solución (44) en la posición "I". (Trabajar simultáneamente con el interruptor de seguridad (1) para controlar la válvula de solenoide).
- Presione el interruptor de encendido/apagado (1) y empuje para mover la máquina. Cuando se aprietan los interruptores, el cepillo (29) girará, y la solución fluirá.

## CONSULTA:

Cada interruptor de seguridad es capaz de controlar de forma independiente el funcionamiento del cepillo. Durante el uso, eso facilita el control de la operación de la máquina. Se fomenta a los operadores a encontrar la posición más cómoda a sus manos.

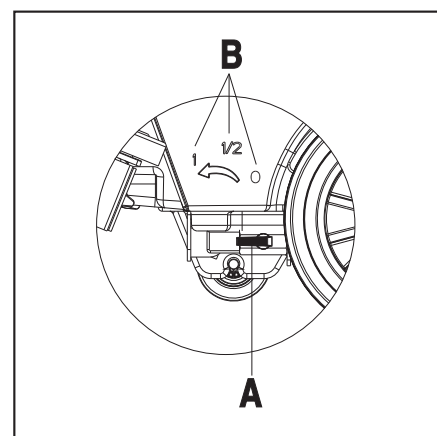


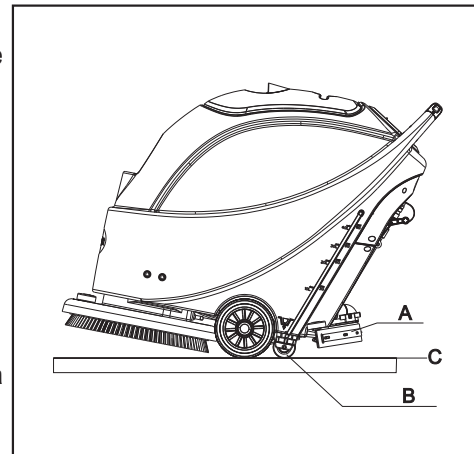
FIGURA 10



FIGURA 11

## APAGAR LA MÁQUINA

7. Cuando haya terminado de usar la máquina, primero retire el cepillo/portabayetas (consulte los pasos mencionados anteriormente)
8. Suelte el interruptor de seguridad (1) para desactivar el soporte del cepillo/almohadilla y la válvula de solenoide.
9. Presione el interruptor de aspiración (42) a la posición "Off", y la aspiración se retrasará durante 5 segundos antes de detenerse.
10. Presione el interruptor de control de solución (44) a la posición "Off" para detener completamente el flujo de la solución.
11. Presione el interruptor de encendido (41) en la posición "Off" (apagado).
12. Use el mango de elevación de la escobilla (14) para levantar la escobilla.
13. Tome el mango (2) e incline suavemente la máquina hacia atrás hasta que la rueda de guía (B) toque el suelo. Consulte la figura 12.



**FIGURA 12**

## FUNCIONAMIENTO DE LA MÁQUINA

1. Iniciar la máquina de acuerdo con la descripción anterior.
2. Mantenga pulsado el interruptor de encendido/apagado (1) (Figura 11), empuje para mover la máquina, e iniciar el fregado.
3. Si es necesario, apague la máquina y ajuste la escobilla. (Consulte los pasos para el ajuste de la escobilla)
4. Si es necesario, apague la máquina y ajuste el flujo de solución con el mango de la válvula de bola. (Consulte los pasos para el ajuste del flujo de la solución)

## ⚠ ¡PRECAUCIÓN!

Con el fin de evitar daños en el piso, cuando la máquina se quede en un solo lugar sin moverse, quite las manos de los interruptores y apague el interruptor principal (41).

### Descarga de la batería durante el funcionamiento

5. Solamente cuando la luz indicadora verde (38) esté encendida continuamente, la fuente de alimentación de la batería es suficiente para el funcionamiento normal de la máquina.

### NOTA

Cuando las cuatro luces verdes (38) se encienden, eso demuestra que la batería está totalmente cargada. Cuando sólo la última luz verde (38) está encendida y comienza a parpadear, sugiere cargar la batería, ya que la máquina se detendrá automáticamente después de unos minutos. Luego de que se apague la última luz verde (38) y la luz roja (39 y 40) comienza a parpadear, la máquina se detendrá automáticamente después de unos segundos. (Consulte los pasos relacionados en la sección de mantenimiento).

## ⚠ ¡PRECAUCIÓN!

No utilice la máquina cuando la fuente de alimentación de la batería no es suficiente, a fin de evitar dañar y acortar la duración de la batería.

## VACIADO DEL DEPÓSITO

Cuando el tanque de recuperación esté lleno, un dispositivo flotante de cierre (36) bloqueará la entrada que conecta con el motor de aspiración. A través de un aumento repentino de ruido desde el motor de aspiración, se puede considerar que el depósito de recuperación está lleno y que requiere vaciado inmediato.

## ⚠ ¡PRECAUCIÓN!

Si el motor de aspiración se ha detenido repentinamente (debido al movimiento repentino que resulta en una activación del flotante), y se necesita un reinicio de la operación, por favor siga los siguientes pasos: pulse el interruptor de encendido (41 y 42) para apagar la potencia y el motor de aspiración, y abra la tapa del depósito de recuperación (25) para comprobar si el flotante ha vuelto a la superficie del agua. Cierre la tapa del depósito de recuperación (25), y pulse el interruptor de encendido (41 y 42) para conectar la alimentación principal y el motor de aspiración.

## VACIADO DEL DEPÓSITO DE RECUPERACIÓN

1. Apague la máquina.
2. Levante el conjunto de la escobilla (14).
3. Corra la máquina a una zona dedicada al drenaje.
4. Tome el mango (2) e incline suavemente la máquina hacia atrás hasta que la rueda de guía toque el suelo.
5. Retire la manguera de drenaje de la pinza, doble el extremo superior de la manguera de drenaje (A, Figura 13), y luego retire el tapón de la manguera de drenaje. Baje la manguera a un nivel bajo o en el suelo para drenar el agua. Alternativamente, coloque la manguera de drenaje en una posición baja o en el suelo para que la salida de agua quede boca abajo (B, Figura 13), y luego torcer abriendo la tapa de drenaje para drenar el agua residual del depósito. Una vez completado el drenaje, enjuague el interior del depósito de recuperación con agua limpia

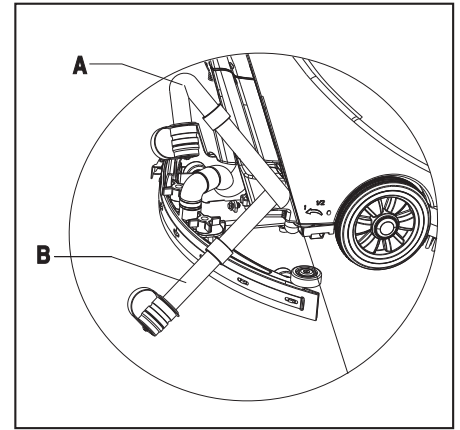


FIGURA 13

## ⚠ ¡PRECAUCIÓN!

Al drenar el agua residual, la manguera de drenaje debe ser doblada o bajada a una posición más baja (Figura 13 A o B), y la tapa retirada para drenar las aguas residuales. No permita que se abra la manguera de drenaje hacia arriba, ya que podría mojar al usuario.

## VACIAMIENTO DEL DEPÓSITO DE SOLUCIÓN

6. Complete los pasos 1 a 4.
7. Como se muestra en la Figura 14, gire la tapa del depósito de solución (A) en sentido contrario a las agujas del reloj (en dirección C), para drenar el depósito de la solución por completo. Use agua limpia para enjuagar el interior del depósito de solución. Una vez terminado el trabajo, coloque la tapa del depósito de solución (A) girando en el sentido horario en la dirección (B).

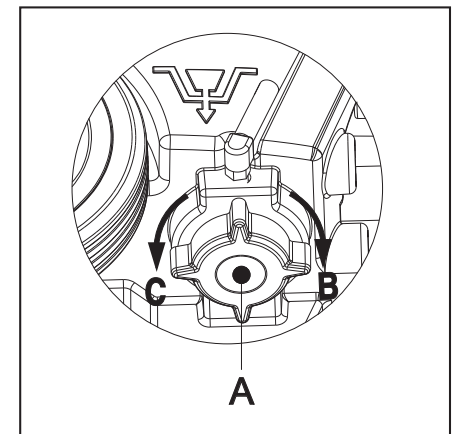


FIGURA 14

## DESPUÉS DE CADA USO

Una vez terminado el trabajo y antes de dejar la máquina, debe seguir los siguientes pasos:

1. Retire los cepillos o portabayetas.
2. Vacíe el depósito de solución y enjuague con agua limpia.
3. Vacíe el depósito de recuperación y enjuague con agua limpia.
4. Lleve a cabo los procedimientos de mantenimiento diario. (Vea la sección de mantenimiento)
5. Retire y enjuague conjunto de la escobilla con una toalla húmeda.
6. Mantenga la tapa del depósito de recuperación sin sellar para que el aire fresco circule libremente

## PERIODOS DE INACTIVIDAD

Si la máquina será utilizada por más de 30 días, por favor tratar de la siguiente manera:

1. Complete el procedimiento necesario que se debe seguirse luego de utilizar la máquina.
2. Desconecte el conector (9) que conecta la batería y la máquina.
3. Con el fin de no dañar las baterías, las baterías deben cargarse una vez cada 3 meses.

## PRIMER USO

Después de las primeras 9 horas de uso, por favor revise los componentes para asegurarse de que todas las conexiones (tanto mecánicas como eléctricas) estén ajustadas y de compruebe si hay algún daño que pudiera haber ocurrido durante la operación. Verifique si hay fugas de agua.

## MANTENIMIENTO Y CUIDADO

La vida útil y la máxima seguridad en el uso de la máquina están asegurados por el mantenimiento y el cuidado adecuado y oportuno.

La siguiente tabla es una guía de mantenimiento de rutina para la máquina. Los intervalos de tiempo de mantenimiento son determinados en gran medida, por las condiciones de trabajo de la máquina. Estos intervalos de tiempo deben ser formulados por la persona responsable del mantenimiento.

### ¡ADVERTENCIA!

Realice estos procedimientos solamente después de que el interruptor principal esté apagado y la conexión entre la máquina y la batería de desconecte. Antes de realizar con cualquiera de los procedimientos de mantenimiento, por favor estudie detenidamente las secciones relacionadas con la seguridad.

Todo el mantenimiento debe ser realizado por personal cualificado o centros de servicio autorizados por Clean Freak.

Este manual sólo se refiere a los procedimientos de mantenimiento más simples y comunes.

Para cualquier mantenimiento que no figure en esta tabla de mantenimiento planificado, por favor póngase en contacto con su distribuidor local de Clean Freak.

## TABLA DE MANTENIMIENTO PROGRAMADO

	Luego de cada uso	Semanal	Cada seis meses	Anual
Cargar las batería				
Limpiar la escobilla				
Limpiar el cepillo/portabayetas				
Limpiar el depósito de agua y el filtro flotante, inspeccionar las juntas del depósito				
Inspeccionar y cambiar las hojas de la escobilla				
Limpiar el filtro de la solución				
Limpiar el filtro del motor de aspiración				
Inspeccione el nivel de líquido de la batería WET				
Inspeccionar el ajuste de tuercas y tornillos			(1)	
Verificación de las escobillas de carbón del motor				(2)
Verificar los cepillos de carbón del motor de aspiración				(2)

(1) = Después de las primeras 9 horas.

(2) = Este procedimiento de mantenimiento debe ser realizado por un Centro de Servicio autorizado.

## CARGA DE BATERÍAS

### NOTA

Cuando la luz ámbar o roja de advertencia se ilumina, o cada vez que se realiza un trabajo, es momento de cargar la batería.

### ¡PRECAUCIÓN!

Mantenga la batería totalmente cargada con el fin de extender la vida útil de la batería.

Una vez que el poder de la batería es insuficiente, la batería debe cargarse tan pronto como sea posible. Por favor, verifique el cargador por lo menos una vez a la semana.

Si un cargador incorporado no está equipado, por favor seleccionar un cargador externo adecuado para cargar la batería.

## ¡ADVERTENCIA!

Debe tomarse especial cuidado al cargar la batería, ya que puede haber fugas de ácido durante el proceso de carga. El ácido de la batería es corrosivo. Si toma contacto con la piel o los ojos, por favor, enjuague con agua limpia y solicite asistencia médica.

1. Abra la tapa del depósito de recuperación (25) y observe si el tanque de recuperación está vacío o no. Si no está vacío, vaciarlo a través de la manguera de drenaje. (15).
2. Lleve la máquina a la zona de carga especificada.
3. Presione el interruptor de encendido (41) en la posición "Off" para apagar la máquina.
4. Sólo se aplica a las baterías WET:
  - Compruebe el nivel de electrolito dentro de la batería. Si es necesario, llénelo a través de la tapa.
  - Mantenga todas las tapas abiertas.
  - Si es necesario, limpie la superficie superior de la batería.
5. Seleccione uno de los siguientes procedimientos para cargar la batería de acuerdo con el modelo de batería que se utiliza.

## **CARGAR UNA BATERÍA CON UN CARGADOR EXTERNO**

6. Confirme que el cargador externo es compatible. El voltaje de salida debe ser DC 24V.
7. Conecte el conector de la batería en el cargador externo, y conecte el cargador externo a una toma de alimentación aprobada.
8. Cuando se complete la carga, conecte el conector de carga de la batería a la máquina.

## **CARGAR UNA BATERÍA CON UN CARGADOR INCORPORADO (OPCIONAL)**

9. Retire el tapón de goma en el extremo del conector de carga de la batería.
10. Conecte el extremo del conector de carga de la batería con la fuente de alimentación mediante un cable de conexión de carga. (Tenga en cuenta si el voltaje de entrada del cargador de a bordo es de 110 V -120 V y 24 V de tensión y la frecuencia de salida cumple los requisitos) Cuando el cargador está conectado a la fuente de alimentación, todas las demás funciones serán cortadas de forma automática. Si la luz de advertencia roja en el cargador incorporado sigue encendida, muestra que el cargador está cargando la batería.
11. Cuando la luz de advertencia verde (47) está encendida, indica que el proceso de carga de la batería se ha completado.
12. Cuando se complete la carga, retire el cable de conexión del extremo del conector de carga de la batería y la fuente de alimentación, y colóque en la tapa de goma.
13. Desconecte el cable del cargador de la fuente de alimentación, y enrolle el cable en el carrete (6).

### **NOTA**

Si necesita más información sobre el cargador incorporado (35), por favor consulte el manual de uso del cargador.

## **LIMPIEZA DE LA ESCOBILLA**

### **NOTA**

Con el fin de mantener el rendimiento óptimo de la escobilla, ésta debe mantenerse limpia, y las hojas de la escobilla deben mantenerse en buenas condiciones.

## ¡PRECAUCIÓN!

Se recomienda ponerse guantes de protección al limpiar la escobilla, ya que ésta puede contener residuos cortantes.

1. Sitúe la máquina en una superficie plana y lisa.
2. Presione el interruptor de encendido (41) en la posición "O" para apagar la máquina.
3. Afloje las perillas de la escobilla (16); quite la manguera de aspiración del conjunto de la escobilla y quite la escobilla.
4. Use el mango de elevación de la escobilla (14) para levantar el soporte de montaje de la escobilla.
5. Utilizando un paño húmedo, limpie la escobilla (Figura 15). Limpie, en particular la ranura (A, Figura 15) y la suciedad y fragmentos en el tubo de aspiración. Compruebe si las hojas de la escobilla delantera (C) y trasera (D) están intactas, y si hay bordes rotos y grietas. Reemplace si es necesario (consulte los pasos de la siguiente sección).
6. Vuelva a instalar la escobilla en el orden inverso al anterior.

## VERIFICACIÓN Y REEMPLAZO DE LA HOJA DE LA ESCOBILLA

1. Seguir los métodos relacionados en el apartado anterior limpiar la escobilla (Figura 15)
2. Compruebe el borde (E, Figura 15) de la hoja de la escobilla delantera y el borde (F) de la hoja de la escobilla trasera (D). En toda la longitud, que deben estar al mismo nivel. De lo contrario, ajuste su altura mediante el siguiente procedimiento.
  - Suelte el estribo (G) para que la hoja de la escobilla trasera (D) se separe del soporte (M) para el ajuste de la posición de la escobilla. Después del ajuste, bloquear la presilla nuevamente.
  - Afloje el tornillo del mango (I) para ajustar la hoja de la escobilla delantera (C); apriete el tornillo del mango después del ajuste.
3. Compruebe si las hojas de la escobilla delantera (C) y trasera (D) están intactas, y si hay bordes rotos y grietas. Si se encuentra algún daño, cámbielas de la siguiente manera. Si el borde delantero de la hoja de la escobilla trasera (J) se ha desgastado, se puede dar vuelta boca abajo y volver a instalar (se requiere que el borde superior que está intacto). Si el borde superior también está desgastado, cámbielo mediante el siguiente procedimiento:
  - Suelte la presilla (G) para que la hoja de presión se separe del soporte (M), quítate la barra de presillas (K), y luego cambie o gire la escobilla trasera (D) en posición invertida. Vuelva a instalar la hoja de la escobilla trasera en el orden inverso al de quitársela.
  - Afloje el tornillo del mango (I) y quite la barra de presillas delantera (L), y luego cambie la escobilla delantera (C). Vuelva a instalar la hoja de la escobilla delantera en el orden inverso al de quitársela. Después de cambiar la hoja de la escobilla, ajustar el nivel de las hojas de la escobilla delantera y trasera mediante los procedimientos descritos anteriormente.
4. Conecte el tubo de aspiración (11) a la entrada de la escobilla.
5. Instale la escobilla y apriete las perillas.
6. Si es necesario, ajuste la escobilla girando la perilla de ajuste (20) (consulte los procedimientos para ajustar el balance de la escobilla).

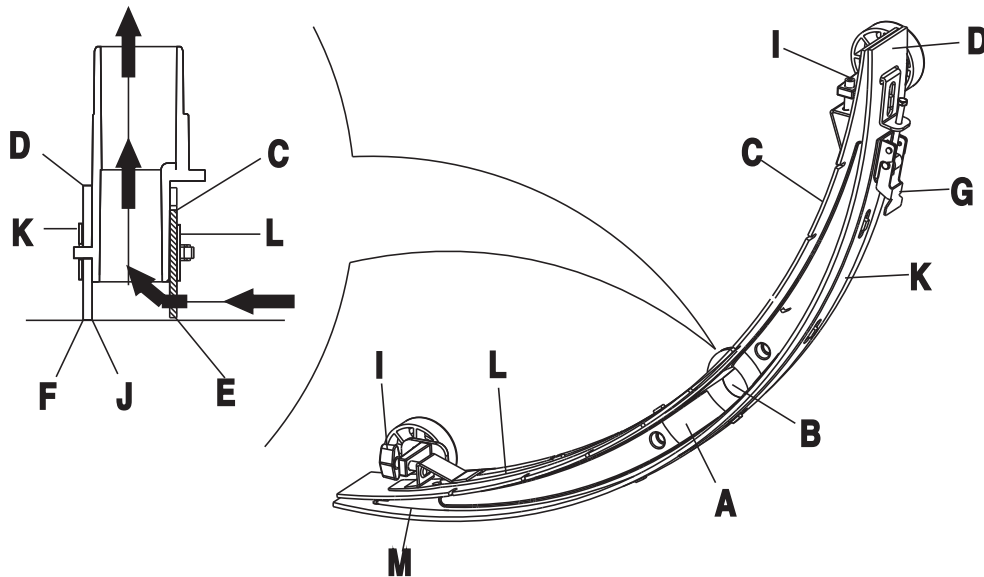


FIGURA 15

## LIMPIEZA DE CEPILLO/ALMOHADILLA

### ⚠ ¡PRECAUCIÓN!

Se recomienda el uso de guantes protectores al limpiar el cepillo/portabayetas, ya que el cepillo/almoHADILLA puede contener residuos cortantes.

1. Retirar el cepillo/portabayetas.
2. Con el uso de agua y detergentes, limpie el cepillo/portabayetas.
3. Verifique el desgaste del cepillo y, si es necesario, sustituya el cepillo.
4. Verifique el desgaste del portabayetas y, si es necesario, sustitúyalo.



## DEPÓSITO DE AGUA Y MALLA DE LIMPIEZA DEL FILTRO FLOTANTE

1. Corra la máquina a una zona dedicada al drenaje.
2. Presione el interruptor de encendido (41) en la posición "O" para apagar la máquina.
3. Abra la tapa del depósito de recuperación (A, Figura 16), y saque el dispositivo de flotación (36) desde el interior del tanque.
4. Use agua limpia para enjuagar la tapa del depósito de recuperación (A), el depósito (B y C), y el bastidor de soporte del filtro flotante (E). Drene toda el agua del depósito de agua. Drene toda el agua del depósito de agua.
5. Si es necesario, siguiendo los símbolos de "Abrir" y "Cerrar" como se muestra en la Figura 16, abra la tapa inferior (F) del filtro del flotante y limpie el flotante (D), el bastidor de soporte del filtro del flotante (E), y el filtro de esponja (I). Después de la limpieza, vuelva a colocar el flotante en el bastidor de soporte (E), y luego alinee la ranura (L) de la tapa inferior (F) del filtro flotante con la ranura (L) de la estructura de soporte del filtro flotante (E). Gire apretando la tapa inferior (F) del filtro flotante, y conecte nuevamente el filtro de esponja (I) en el bastidor de soporte (E), y luego en el tubo de aspiración (M).
6. Inspeccione el sello/junta (G) de la tapa del depósito de recuperación. Si es necesario, puede sacarse de la ranura (H) el sello / junta (G) del depósito de recuperación y cambiarse. Al instalar nuevamente el sello / junta, como se muestra a continuación en la Figura 16, instalar el conector a la sección media de la parte trasera.

### NOTA

El sello / junta (G) del depósito de recuperación permite al depósito crear un vacío. Debe estar completamente sellado para ser capaz de aspirar eficazmente el agua residual del piso.

7. Compruebe si la superficie de recepción de la tira de sellado (G) está intacta y los sellos adecuados.
8. Cerrar la tapa del depósito de recuperación (A).

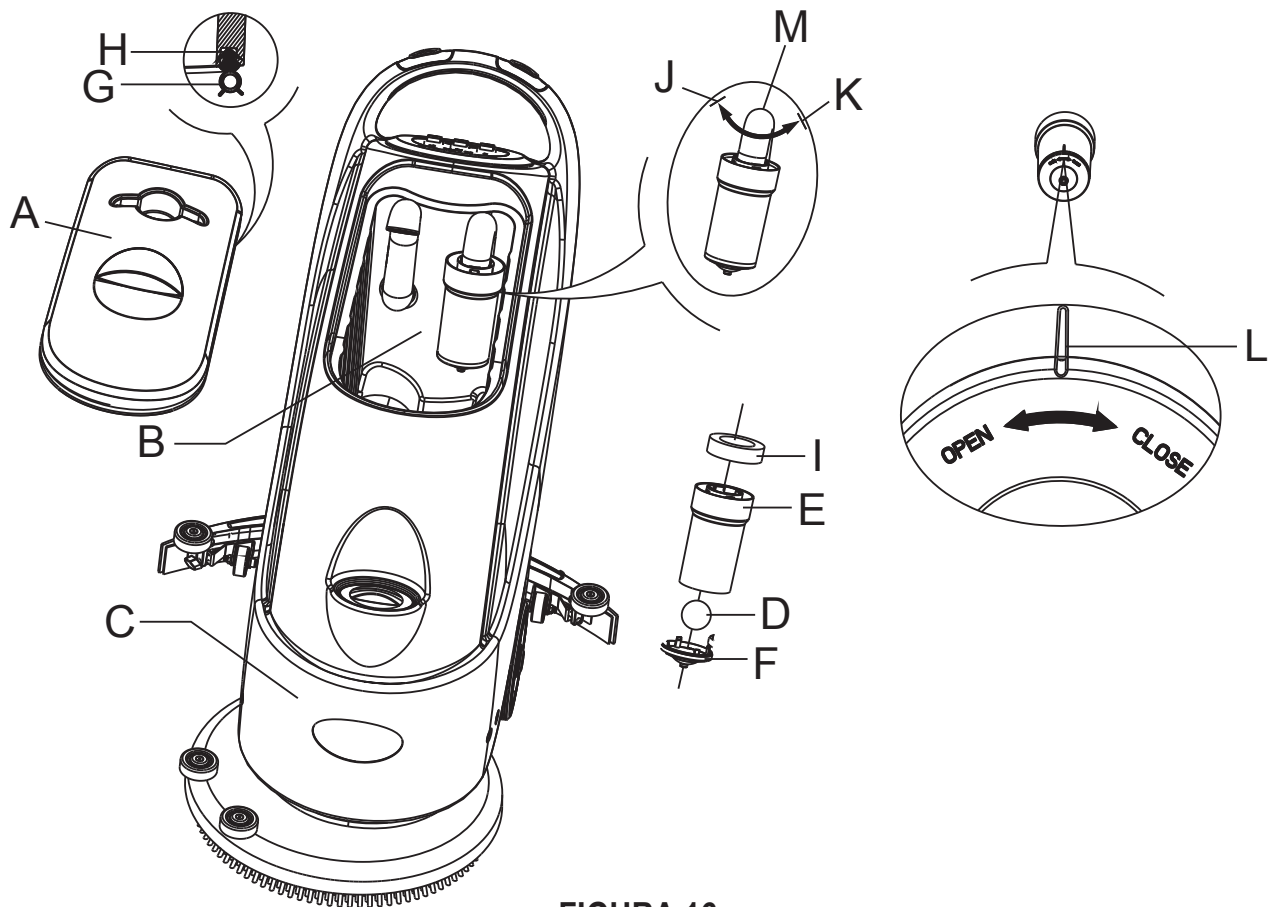


FIGURA 16

## LIMPIEZA DEL FILTRO DE SOLUCIÓN

1. Drene toda el agua del depósito de solución como se indicó anteriormente.
2. Sitúe la máquina en una superficie plana y lisa.
3. Presione el interruptor de encendido (41) en la posición "O" para apagar la máquina.
4. Cierre la válvula de bola de drenaje (A, Figura 17) (que se encuentra en la parte inferior de la máquina, detrás de las ruedas). Válvula de bola abierta Posición B, y válvula de bola cerrada, posición C.
5. Retire la tapa transparente (D), y luego retire el filtro (E), e instálelos en la caja del filtro (F) después de la limpieza.

### NOTA

El filtro (E) debe estar adecuadamente instalado sobre la posición de la caja (G).

6. Abra la válvula de bola de drenaje (A).

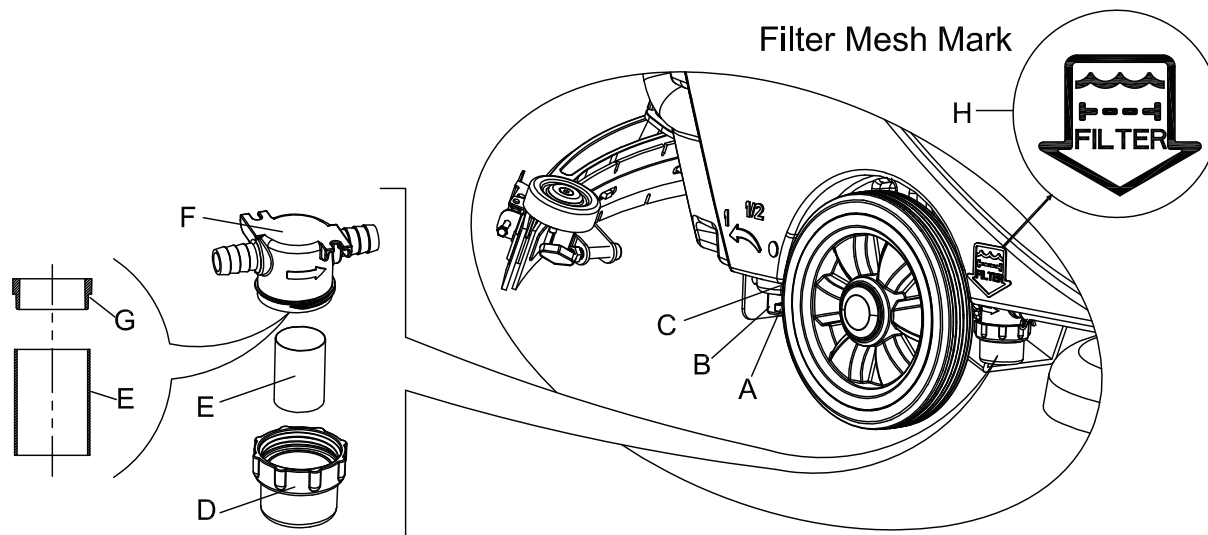


FIGURA 17

## RESOLUCIÓN DE PROBLEMAS

Detalle	Causa probable	Soluciones
La máquina no funciona: El indicador luminoso no está encendido	El conector de batería (9) no está conectado	Conecte el conector de la batería
	La energía de la batería está agotada	Recargar las baterías
La luz de advertencia (39 y 40) está parpadeando	Sobrecarga motor de cepillo	Cambie a un cepillo suave para adaptarse al suelo que se limpia
	Una obstrucción impide que el cepillo gire	Limpie el cepillo
El cepillo no funciona	Los fusibles del cepillo están desconectados	Restaure
	Cinturón de deslizamiento	Verifique el cinturón, ajuste la tensión
EL motor de aspiración no funciona	Los fusibles de aspiración están desconectados	Restaure
Aspiración inadecuada	El depósito de recuperación está lleno	Vacíe el depósito de recogida
	La manguera de drenaje y la manguera de la escobilla no están conectadas correctamente	Conecte la manguera de drenaje y la manguera de la escobilla
	Filtro flotante bloqueado o entrada bloqueada	Limpie el filtro flotante, verifique la bola flotante.
	Escobilla sucia u hoja de la escobilla desgastada y dañada.	Limpie y verifique la escobilla
	Tapa del depósito de recuperación no está debidamente sellada, o el sello / junta del depósito de recuperación está dañado	Vuelva a colocar la tapa correctamente, reemplace el sello / junta del depósito de recuperación
El suministro de agua al cepillo es inadecuado	Filtro sucio	Limpie el filtro
La escobilla deja marcas	Suciedad debajo de la hoja de la escobilla	Retire los fragmentos
	Hoja de la escobilla desgastada, agrietada o quebradiza.	Reemplace la hoja de la escobilla
	El balance de la escobilla no está ajustado	Ajuste el balance





**TABLE DES MATIÈRES**

	<b>Page</b>
Introduction.....	C-3
Avant-propos .....	C-3
Objet .....	C-3
Pièces détachées et maintenance.....	C-3
Modifications et améliorations .....	C-3
Utilisation de la machine.....	C-3
Déballage/Transport.....	C-3
Consignes de sécurité .....	C-4
Données techniques.....	C-5
Composants de la machine .....	C-6 – C-7
Panneau de commande .....	C-6 – C-7
Voyant du chargeur .....	C-8
Mode d'emploi .....	C-8
Installation de la batterie.....	C-8 – C-10
Avant de démarrer la machine .....	C-10
Mise en place et démontage de la brosse et du porte-disques ....	C-10
Réglage de la raclette.....	C-10
Réglage du débit d'eau.....	C-11
Démarrage et arrêt de la machine.....	C-11
Fonctionnement de la machine .....	C-12
Vidange des réservoirs.....	C-12
Après chaque utilisation .....	C-13
Périodes de non-utilisation .....	C-13
Première utilisation .....	C-13
Entretien et maintenance.....	C-14
Tableau des interventions de maintenance planifiées .....	C-14
Mise en charge de la batterie .....	C-14 – C-15
Nettoyage de la raclette.....	C-15
Vérification et remplacement des lames de la raclette .....	C-16
Nettoyage de la brosse et des disques .....	C-16
Nettoyage du réservoir d'eau et du tamis du filtre .....	C-17
Nettoyage du filtre de solution .....	C-18
Dépannage .....	C-18
Liste des pièces.....	D-2 – D-12

## INTRODUCTION

### NOTE

Les chiffres indiqués entre parenthèses correspondent aux numéros des pièces sur la vue explosée de la machine.

## AVANT-PROPOS

Ce manuel est destiné à fournir à l'opérateur toutes les informations nécessaires pour utiliser cette machine correctement et en toute sécurité. Ces informations portent notamment sur les caractéristiques techniques, les consignes de sécurité, l'utilisation, le rangement, la maintenance et la mise au rebut de la machine. Toute personne amenée à utiliser la machine ainsi que les techniciens doivent impérativement prendre de ce manuel et le lire attentivement avant d'utiliser ou d'intervenir sur la machine. Veuillez contacter votre distributeur local Clean Freak pour toute question concernant la machine.

## OBJECTIF

Ce manuel a pour objet d'instruire l'opérateur et le prestataire de services sur l'utilisation et la maintenance de cette machine.

## PIÈCES DÉTACHÉES ET MAINTENANCE

Toutes les procédures d'utilisation, de maintenance et de réparation doivent être effectuées par un prestataire agréé Clean Freak.

N'utilisez que des pièces détachées et accessoires agréés.

Pour toute intervention, demande de pièces ou d'accessoires, veuillez contacter votre distributeur Clean Freak

## MODIFICATIONS ET AMÉLIORATIONS

CLEAN FREAK s'emploie à améliorer sans cesse ses produits. CLEAN FREAK se réserve le droit de modifier et d'apporter des améliorations à ses machines. Toute modification ou amélioration doit être réalisée par un prestataire agréé par Clean Freak.

## APPLICATION

Cette nettoyeuse industrielle est conçue pour être utilisée dans des environnements industriel et commercial et est adaptée au nettoyage de sols lisses et résistants. Elle ne doit être utilisée que par des opérateurs qualifiés et dans un environnement sécurisé. Elle n'est pas conçue pour être utilisée en extérieur, sur des moquettes ou des sols bruts.

## DÉBALLAGE ET TRANSPORT

Suivre attentivement les instructions figurant sur le colis lors du déballage de la machine.

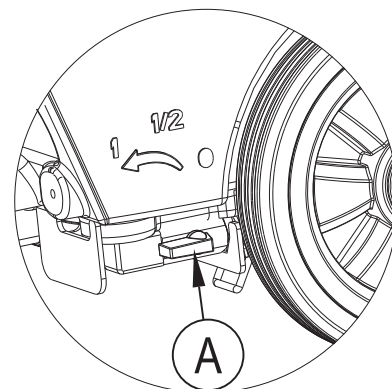
A la livraison, inspectez soigneusement la caisse et la machine afin de vous assurer qu'elles n'ont pas été abîmées pendant le transport. En cas de dommages visibles, veuillez contacter le distributeur auprès de qui vous avez acheté la machine.

## ⚠ ATTENTION !

Lors du déballage et du déchargement de la machine ainsi que pendant le transport, faire attention de ne pas heurter la valve de solution. Pièce A sur la figure de droite.

Vérifiez si les éléments suivants sont bien présents dans la caisse, avec la machine :

1. Documentation technique
  1. Manuel de l'utilisateur de la nettoyeuse
  2. Manuel d'utilisation du chargeur de batterie électrique (si équipé)
2. Câble d'alimentation du chargeur



## CONSIGNES DE SÉCURITÉ

Les consignes ci-après sont destinées à attirer l'attention de l'utilisateur et à le mettre en garde contre d'éventuels dommages (corporels ou sur la machine)

### AVERTISSEMENT !

- Respectez scrupuleusement les instructions de ce manuel lors de l'utilisation de la machine. N'utilisez que des accessoires agréés par Clean Freak.
- Cette machine ne doit être utilisée que par un personnel formé et autorisé. Ne pas laisser des enfants ou des personnes non formées, utiliser cette machine.
- Dans le cadre d'une utilisation normale, la batterie peut émettre un gaz inflammable. Les batteries doivent être tenues à l'écart de toute source de radiation, d'éclairage et d'éléments enflammés ainsi que de toute étincelle. Lorsque la machine est en cours d'utilisation, assurez-vous que la pièce est bien aérée et à l'écart de toute flamme nue. Ne pas fumer à proximité de la machine, lorsque les batteries sont en charge.
- Débranchez la batterie avant de procéder à une intervention de maintenance ou à des réparations.
- Avant d'utiliser le chargeur intégré, assurez-vous que la tension et la fréquence indiquées sur la plaque d'identification de la machine correspondent à celles de l'alimentation.
- Ne porter aucun bijou, en cas d'intervention à proximité d'éléments électriques, Prendre toutes les précautions nécessaires pour éviter que vos cheveux, bijoux ou vêtements amples ne se prennent dans les pièces mobiles de la machine.
- Avant de commencer le nettoyage, il est recommandé de balayer la zone à nettoyer. Ne pas laver la machine à grande eau. Ne pas utiliser de liquides corrosifs sur ou à proximité de la machine.
- La température de stockage et de travail de la machine doit être comprise entre 0 - 40°C.
- L'humidité de l'air doit être comprise entre 30% et 105%.
- Ne pas utiliser la machine sur une surface inclinée dont la pente est supérieure à 2%.
- En cas d'incendie, utilisez des extincteurs à poudres inertes. Ne pas utiliser d'extincteur à liquide.
- Soyez particulièrement vigilant si la machine est transportée à une température inférieure à 0°C. Le réservoir d'eau et l'eau dans les tuyaux peut geler risquant d'endommager gravement la machine.
- Utilisez la brosse et le porte-disque fournis avec la machine ainsi que ceux indiqués dans le Manuel de l'utilisateur. Le fait d'utiliser d'autres brosses ou disques peut avoir des conséquences graves sur le plan de la sécurité.
- En cas de dysfonctionnement de la machine, assurez-vous que ceci n'est pas dû à un mauvais entretien. Si ce dysfonctionnement est dû à d'autres causes, contactez votre centre d'entretien local agréé par Clean Freak. S'il est confirmé que des pièces doivent être remplacées, veillez à bien prendre des pièces d'origine chez votre distributeur local Clean Freak.
- Afin de garantir le bon fonctionnement de la machine, il est conseillé de faire appel à un prestataire agréé Clean Freak pour effectuer les opérations de maintenance planifiée conformément au programme de maintenance détaillé dans ce manuel.
- En cas de mise au rebut de la machine, veuillez respecter la législation et les réglementations locales (voir le chapitre Mise au rebut de la machine).

**CARACTÉRISTIQUES TECHNIQUES**

Modèle	CPL DURA-20B
Hauteur de la machine	980 mm
Capacité du réservoir de solution	40 litres
Capacité du réservoir de récupération	40 litres
Diamètres des roues	200 mm
Diamètres de la roue de guidage	76 mm
Puissance du moteur du système d'aspiration	350 w
Pente maximum pour l'utilisation de la machine	2% (Max)
Niveau de pression sonore au poste de travail	70 dB(A) ±3 dB(A)
Batteries standards	(2×12 V) 24 V 105 Ah AGM
Dimensions du compartiment batterie (W x L x H)	340 x 330 x 260 mm (Max)
Capacité du circuit d'aspiration	1200 mm H <sub>2</sub> O
Largeur de travail	510 mm
Largeur de la raclette	790 mm
Longueur maximum de la machine	1100 mm
Largeur de la machine sans la raclette	540 mm
Diamètre de la brosse	510 mm
Poids avec les batteries et les réservoirs vides	128 kg
Poids brut de la machine prête à l'emploi	168 kg
Puissance du moteur de la brosse	560 W
Vitesse de la brosse	150 tr/mn
Pression maximum de la brosse/du porte-disque	35 kg (Max)
Dimensions du colis (L x l x h)	1200 x 610 x 1170 mm

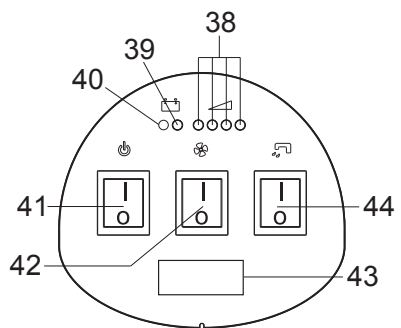
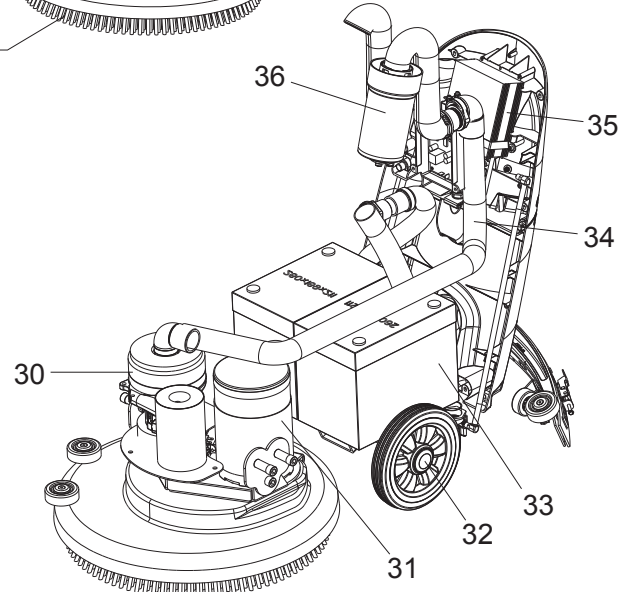
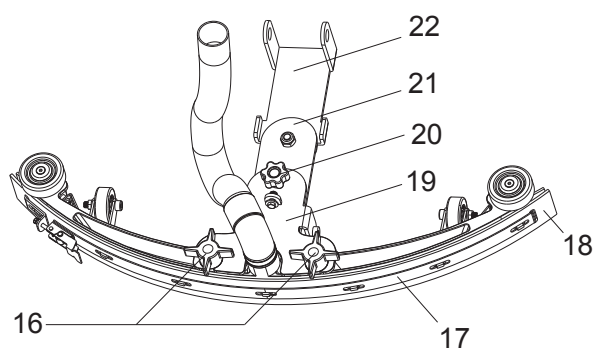
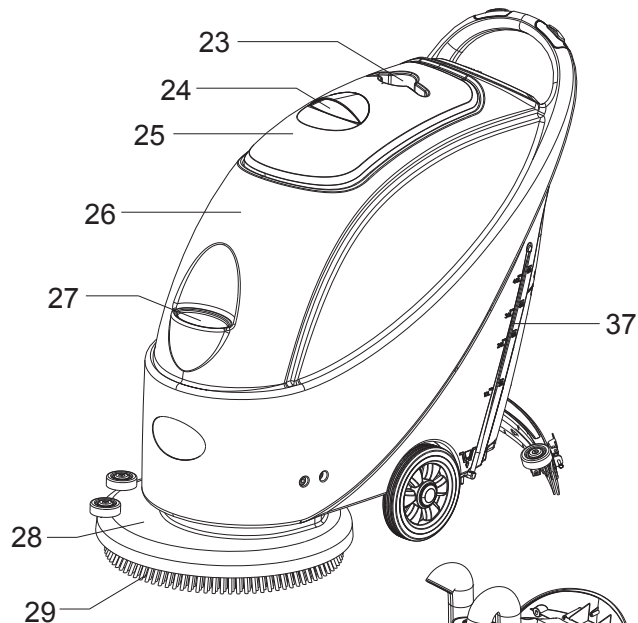
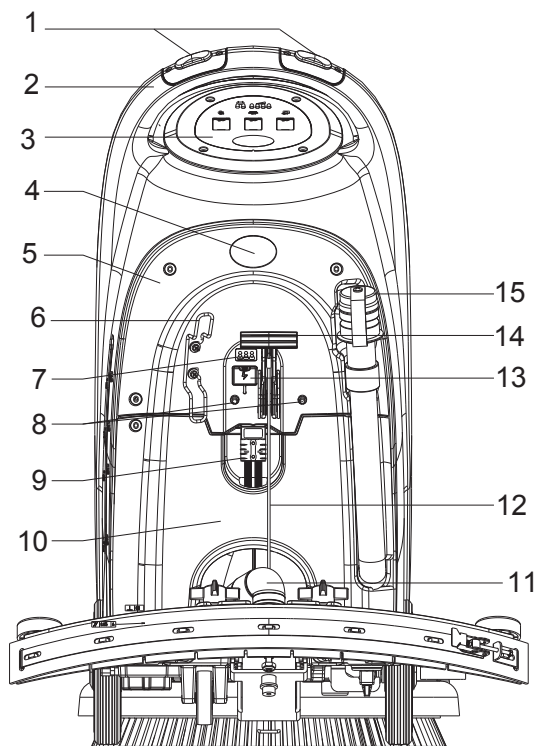
**COMPOSANTS DE LA MACHINE/NOMENCLATURE**

1. Interrupteur de sécurité
2. Poignée
3. Panneau de commande
4. Plaque d'identification (Numéro de série)/Caractéristiques techniques
5. Capot de protection
6. Support de câble (\*)
7. Voyant du niveau de charge de la batterie
8. Interrupteur de réinitialisation
9. Connecteur batterie
10. Couvercle de protection des batteries
11. Tuyau de vidange
12. Câble de relevage de la raclette
13. Couvercle de sécurité du connecteur batterie
14. Poignée de levage de la raclette
15. Bouchon de vidange
16. Écrou de fixation de la raclette
17. Attache de fixation de la raclette
18. Lame de la raclette
19. Patte de fixation de la raclette
20. Bouton de réglage de la raclette
21. Châssis arrière de la raclette
22. Châssis avant de la raclette
23. Porte coupelle
24. Poignée du couvercle du réservoir de récupération
25. Couvercle du réservoir de récupération
26. Réservoir de récupération
27. Orifice de remplissage de solution
28. Plateau de la brosse
29. Moteur de la brosse / du porte-disque
30. Moteur du système d'aspiration
31. Moteur de la brosse
32. Roue 8 pouces
33. Batterie
34. Tuyau d'aspiration
35. Chargeur (\*)
36. Filtre du flotteur
37. Jauge de niveau d'eau

(\*) Valable uniquement sur les machines équipées d'un chargeur intégré (en option)

**PANNEAU DE COMMANDE**

38. Voyant de niveau de charge de la batterie (vert lorsque la batterie est complètement chargée)
39. Voyant batterie déchargée (rouge)
40. Voyant batterie déchargée (rouge)
41. Interrupteur d'alimentation
42. Commutateur d'aspiration
43. Horomètre (en option)
44. Interrupteur de solution





### VOYANTS DU CHARGEUR (FIGURE 3)

(en option, valable uniquement sur les modèles équipés d'un chargeur intégré)

1. Lors de la mise en charge, le voyant rouge (45) clignote pendant un petit moment puis devient fixe (rouge) ; la batterie commence alors à charger.
2. Au bout d'un certain temps, le voyant rouge (45) s'éteint. Le voyant jaune (46) s'allume en fixe. Indiquant que la batterie passe à la seconde phase du cycle de charge.
3. Après avoir chargé pendant environ 10 heures, le voyant ambre (46) s'éteint et le voyant vert (47) s'allume en fixe indiquant que la batterie est complètement chargée et que le cycle de charge est terminé.

#### NOTE

- 1) Pendant la durée de la charge, si le voyant jaune clignote : Cela signifie que la batterie est incompatible avec le chargeur, que la batterie est mal branchée ou qu'il y a eu un court-circuit au niveau de la borne de sortie.
- 2) Si le voyant rouge clignote : Cela indique un court-circuit au niveau du chargeur. (Pour plus de détails, veuillez vous reporter aux chapitres correspondants dans le manuel d'utilisation du chargeur)

### MODE D'EMPLOI

#### ⚠ AVERTISSEMENT !

Sur certaines parties de la machine sont apposés des autocollants de mise en garde :

#### ⚠ DANGER !

#### ⚠ AVERTISSEMENT !

#### ⚠ ATTENTION !

### CONSULTATION

Lors de la lecture de ce manuel, l'opérateur doit faire particulièrement attention aux symboles figurant sur ces étiquettes. Ces étiquettes ne doivent en aucun cas être cachées. Si elles sont abimées, elles doivent être remplacées immédiatement.

### INSTALLATION DE LA BATTERIE

#### ⚠ AVERTISSEMENT !

Une mauvaise installation ou une erreur de branchement des batteries peut endommager gravement les composants électriques de la machine. Les batteries ne doivent être mises en place que par du personnel qualifié. Réglez la carte de circuit fonctionnel et le chargeur intégré (en option) en fonction du modèle de batterie utilisé (HUMIDE ou GEL).

Vérifiez que la batterie est en bon état avant de la mettre en place.

Débranchez le connecteur batterie et la prise du chargeur intégré.

Faites très attention lorsque vous manipulez la batterie.

La machine utilise pour fonctionner deux (2) batteries de 12 V. Deux modèles de batterie peuvent être utilisés à savoir GEL ou AGM. Branchez la batterie comme illustré sur la Figure 4 ci-contre.

1. Vérifiez les batteries Assurez-vous que le connecteur (9) est bien branché au bloc de batteries.
2. Appuyez sur l'interrupteur Marche/Arrêt (41) pour le positionner sur « on ». Si le voyant vert est allumé, les batteries sont prêtes à être utilisées. Si le voyant ambre ou le voyant rouge sont allumés, les batteries ont besoin d'être chargées. (Vous reportez au chapitre sur la maintenance pour plus de détails sur les procédures à suivre)

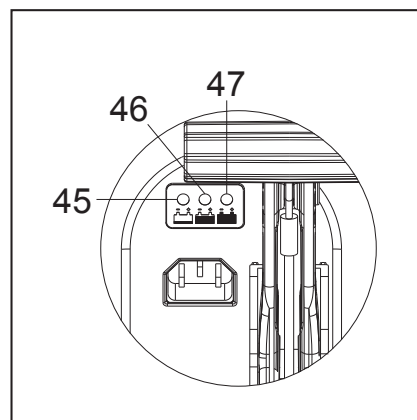


FIGURE 3

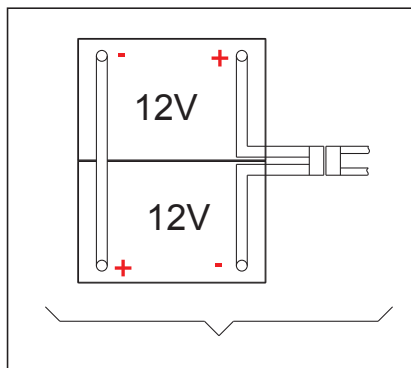


FIGURE 4

## REPLACEMENT DES BATTERIES

1. Contactez votre distributeur local Clean Freak agréé pour plus de détails sur les batteries à utiliser.
2. Réglez la machine et le chargeur intégré (le cas échéant) en fonction du type de batterie (HUMIDE ou GEL/AGM). Suivez les instructions d'installation des batteries détaillées ci-dessous.

## INSTALLATION DES BATTERIES ET RÉGLAGE DU TYPE DE BATTERIE (HUMIDE OU GEL/AGM)

Réglez la carte de circuit électrique sur le chargeur intégré en fonction du type de batterie utilisé (HUMIDE ou GEL/AGM). Suivre la procédure détaillée ci-après :

1. Vérifiez que le connecteur batterie (9) est débranché. Si la machine est un modèle réglé en usine pour des batteries AGM, passez directement au point 8 de cette procédure, sinon passez aux étapes 2, 3 puis 4.
2. Enlevez le tuyau de vidange (15)
3. Si la machine est équipée d'un chargeur intégré, retirez le fil de charge de la bobine.
4. Déposez le couvercle de protection (5) et les vis de fixation du couvercle des batteries (10). Enlevez les vis de fixation situées sur le support de la CCI. L'interrupteur à double rangée de connexions (B) permettant de régler le modèle de batterie est visible lorsqu'on retourne la CCI. (Voir figure 5)
5. Réglez le micro-rupteur DIP (B) sur la position "WET" (Humide) ;
6. Répétez les étapes 3, 4 et 5 dans l'ordre inverse.

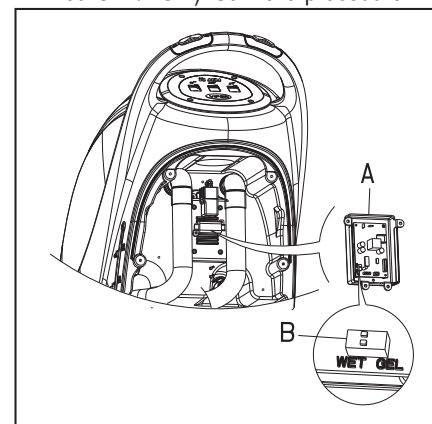


FIGURE 5

## MISE EN PLACE DES BATTERIES

7. Débranchez le connecteur batterie (9).
8. Ouvrez le couvercle du réservoir de récupération (25) et vérifiez si le réservoir est vide ou non ; s'il ne l'est pas, videz-le à l'aide du tuyau de vidange (15).
9. Desserrez l'écrou de fixation de la raclette (16), enlevez le tuyau d'aspiration de la raclette (11) puis démontez la raclette.
10. Desserrez les vis de fixation du couvercle de la batterie (10) et retirez le couvercle.
11. Desserrez le câble de relevage de la raclette (12) relié au support de fixation de la raclette (19) et mettez le câble sur le côté
12. Suspendre le tuyau de vidange (15) et le tuyau d'aspiration (11) verticalement.
13. En fonction des dimensions de la batterie, insérez la bague de fixation dans le logement des batteries en l'enfonçant bien jusqu'au fond.

### NOTE

La taille de la batterie ne doit pas être supérieure à : L x l x H 330 mm x 170 mm x 260 mm.

Selon les dimensions des batteries, les conditions à respecter pour es batteries fixes sont les suivantes :

- 1) Pour une batterie dont la longueur est inférieure à 270 mm, utilisez 2 baguettes de fixation (B, figure 6) ; placez-les côte à côte à l'intérieur de la batterie du réservoir d'eau.
- 2) Pour une batterie dont la longueur est comprise entre à 310 mm et 270 mm, utilisez 1 seule baguette de fixation (B, figure 6) et placez-la à l'intérieur de la batterie du réservoir d'eau.
- 3) Pour une batterie dont la longueur est comprise entre 330 mm et 310 mm, il n'est pas nécessaire d'utiliser de baguette pour fixer la batterie en place.

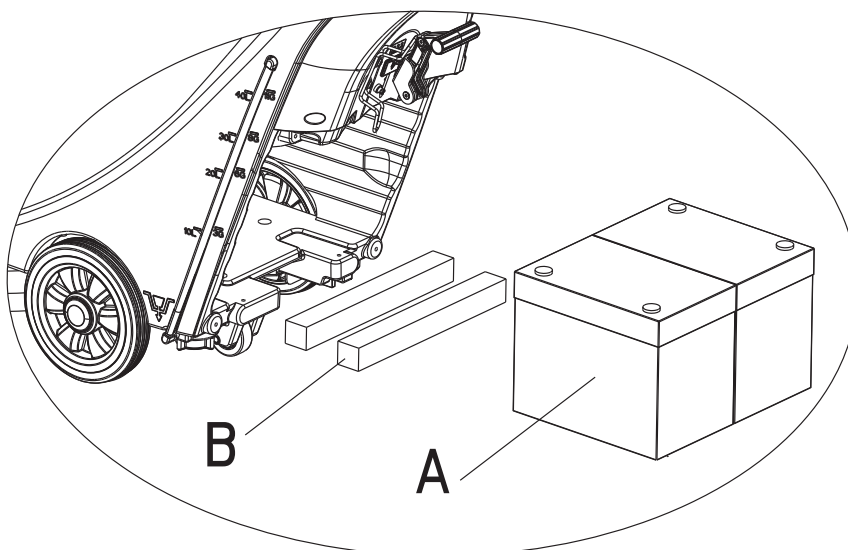


FIGURE 6

## MISE EN PLACE DES BATTERIES (SUITE)

14. Installez la batterie en utilisant les outils spécialement prévus à cet effet (A, Figure 7). Une fois la batterie en place, enlevez l'outil et placez le support de fixation de la batterie (B, Figure 7).

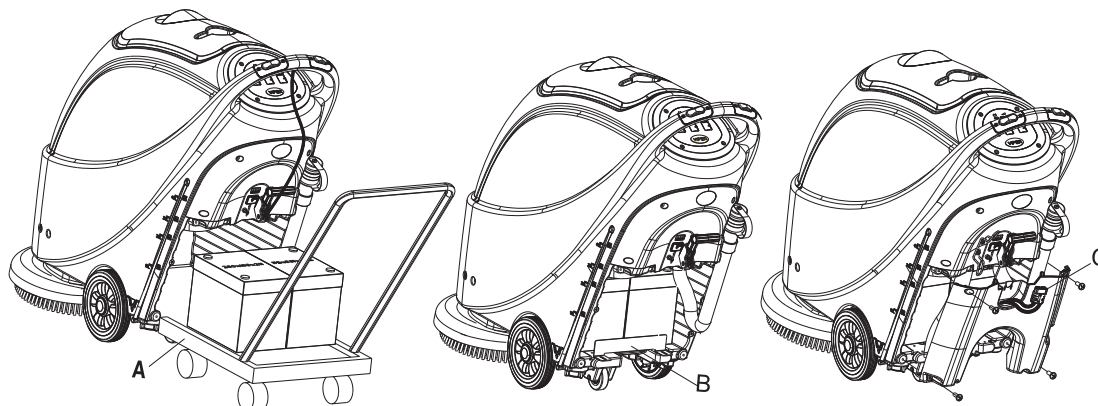


FIGURE 7

15. Passez le connecteur de batterie (C, Figure 7) par le trou situé en haut du couvercle du logement des batteries, passez le tuyau de vidange par le trou droit du couvercle, fixez le couvercle à l'aide des 4 vis puis installez successivement le câble de relevage de la raclette, le tuyau de vidange et la raclette.
16. Pour charger la batterie (reportez-vous à la procédure correspondante décrite au chapitre Maintenance).

## AVANT DE DÉMARRER LA MACHINE

### MISE EN PLACE ET DÉMONTAGE DE LA BROSSE/DU PORTE-DISQUES

#### NOTE

Selon le type de sol à nettoyer, la machine peut être équipée d'une brosse (Figure 8, A), ou d'un porte-disques (Figure 8, B et C).

## ⚠ ATTENTION !

Lors de la mise en place ou de la dépose, manuelle de la brosse ou du porte-disque, assurez-vous en premier lieu que tous les interrupteurs sont en position « arrêt » (off) et que la raclette est en position relevée. Ce n'est qu'après vous être assuré de ces consignes que vous pourrez intervenir sur la brosse ou le porte-disque. Portez toujours des gants de protection.

- Assurez-vous que l'interrupteur (41) est sur la position Arrêt (Off).
- Appuyez sur la poignée (2) pour relever la cuve du réservoir (26).
- Placez la brosse (A) ou le porte-disque (B – C) sous le carter.
- A l'aide de la poignée (2), abaissez la cuve du réservoir (26) de façon à ce qu'elle vienne en contact avec la brosse ou le porte-disque.
- Fixez manuellement la brosse ou le porte-disques en vous référant au sens de la flèche (D), (comme illustré Figure 8).
- Pour démonter la brosse ou le porte-disque, tournez l'ensemble dans le sens opposé jusqu'à ce que vous puissiez les retirer. (Figure 8)

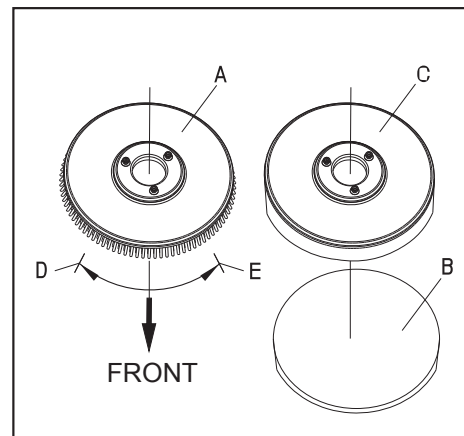


FIGURE 8

## RÉGLAGE DE LA RACLETTE

- Mettez la raclette en place et serrez les écrous de fixation. Branchez ensuite le tuyau d'aspiration sur la raclette.
- Réglez la raclette à l'aide du bouton de réglage (A) (Figure 9).
  - Si la section intermédiaire de la partie arrière de la raclette (section B), ne repose pas parfaitement sur le sol ou si la pression exercée est trop faible, tournez le bouton de réglage dans le sens contraire des aiguilles d'une montre, jusqu'à ce que toute la bande arrière de la raclette soit en contact avec le sol. La bande avant de la raclette doit effleurer légèrement le sol.
  - Si les deux extrémités de la bande arrière de la raclette (sections C et D), ne reposent pas parfaitement sur le sol ou si la pression exercée est trop faible, tournez le bouton de réglage dans le sens des aiguilles d'une montre, jusqu'à ce que toute la bande arrière de la raclette soit en contact avec le sol. La bande avant de la raclette doit effleurer légèrement le sol.

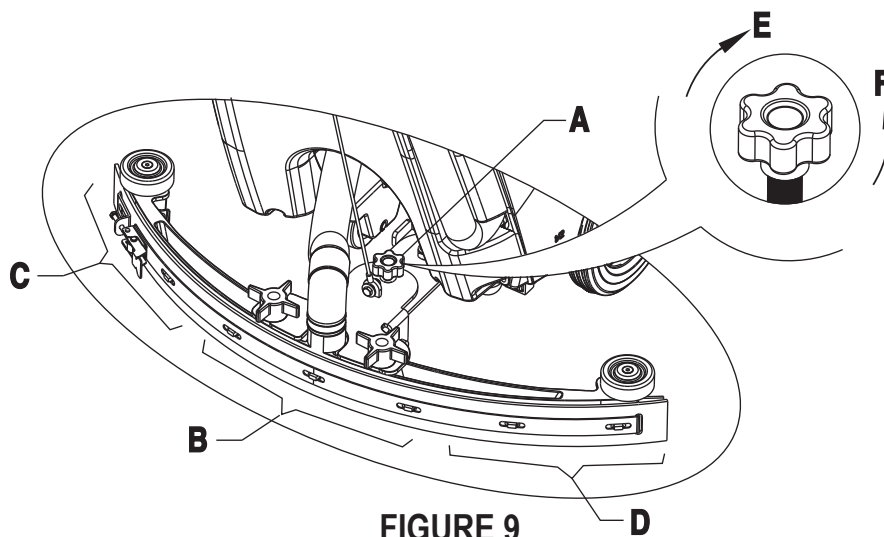


FIGURE 9

## REPLISSAGE DU RÉSERVOIR DE SOLUTION

### ⚠ ATTENTION !

N'utilisez que des détergents qui moussent peu et qui sont ininflammables. Ces détergents doivent être adaptés pour une utilisation sur des nettoyeuses.

- Ouvrez le couvercle d'admission d'eau (27) et ajoutez de l'eau dans le réservoir de solution. Ne pas trop remplir le réservoir. Lors de la préparation de la solution de nettoyage, respectez les taux de dilution indiqués par le fabricant du produit. La température de l'eau ne doit pas excéder 40°C.

## RÉGLAGE DU DÉBIT D'EAU

### ⚠ AVERTISSEMENT !

Le réglage de la poignée du clapet à bille (A, Figure 10) doit être effectué lorsque l'interrupteur principal (41) est en position arrêt (Off).

- Le débit d'eau peut être réglé à l'aide de la poignée du clapet à bille ((A, Figure 10) en fonction de la quantité d'eau nécessaire pour le nettoyage à réaliser.

## DÉMARRAGE ET ARRÊT DE LA MACHINE

Démarrage de la machine

- Effectuez à toutes les opérations de préparation décrites précédemment.
- Appuyez sur l'interrupteur principal (41) pour le mettre sur la position "I".
- A l'aide de la poignée de réglage de la raclette (14), abaissez la raclette.
- Appuyez sur l'interrupteur d'aspiration (42) pour le mettre sur la position "I".
- Appuyez sur l'interrupteur de solution (44) pour le mettre sur la position "I". (Actionnez simultanément l'interrupteur de sécurité (1) afin de commander l'électrovalve).
- Appuyez sur l'interrupteur de Marche/Arrêt (1) et faites avancer la machine. Lorsque vous appuyez sur ces interrupteurs, la brosse (29) se met à tourner et la solution s'écoule.

## CONSULTATION :

Chaque interrupteur de sécurité permet de contrôler de façon indépendante le fonctionnement de la brosse. Dans la pratique, cela facilite le contrôle du fonctionnement de la machine. L'utilisateur est invité à chercher la position la plus confortable pour ses mains.

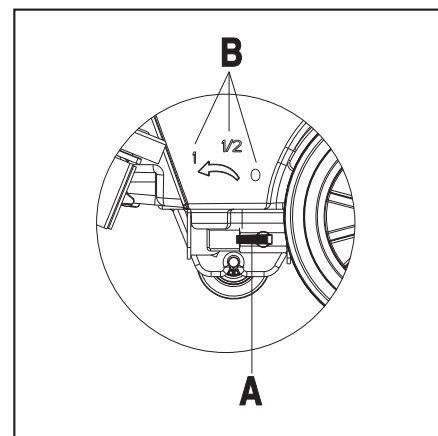


FIGURE 10

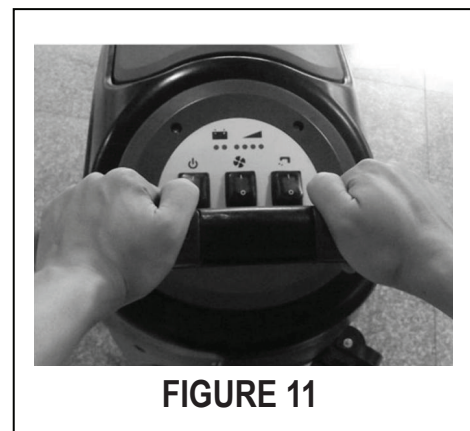
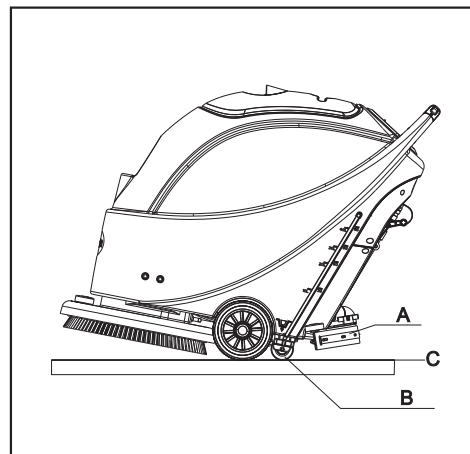


FIGURE 11

## POUR ÉTEINDRE LA MACHINE.

7. Une fois le nettoyage terminé, commencez par enlever la brosse / le porte-disque (voir les instructions correspondantes, plus haut).
8. Relâchez l'interrupteur de sécurité (1) de façon à arrêter la brosse ou le porte-disque et à couper l'électrovalve.
9. Appuyez sur l'interrupteur d'aspiration (42) pour le mettre en position Arrêt ("Off") ; l'aspiration s'arrête au bout de 5 secondes.
10. Appuyez sur l'interrupteur de commande de solution (44) pour le mettre en position Arrêt ("Off") de façon à couper complètement l'arrivée de solution.
11. Appuyez sur l'interrupteur principal (41) pour le mettre sur la position "Off".
12. A l'aide de la poignée de réglage de la raclette (14), relevez la raclette.
13. Saisissez la poignée (2) et inclinez doucement la machine vers l'arrière, jusqu'à ce que la roue de guidage (B) touche le sol. Voir Figure 12.



**FIGURE 12**

## FONCTIONNEMENT DE LA MACHINE

1. Démarrez la machine en procédant comme indiqué précédemment.
2. Tenez l'interrupteur Marche/Arrêt (1) (Figure 11) ; poussez la machine pour la faire avancer et commencez le nettoyage.
3. Si nécessaire, arrêtez et coupez l'alimentation de la machine pour régler la raclette. (Voir la procédure de réglage de la raclette, décrite précédemment)
4. Si nécessaire, éteignez la machine pour régler le débit de solution à l'aide de la poignée du clapet à bille. (Voir la procédure de réglage du débit de solution, décrite précédemment)

## ⚠ ATTENTION !

Pour ne pas abîmer le sol, lorsque la machine est immobilisée à un endroit, enlevez les mains des interrupteurs de commande et éteignez la machine à l'aide de l'interrupteur principal (41).

### Décharge de la batterie en cours de fonctionnement

5. L'alimentation de la batterie suffit pour permettre le fonctionnement normal de la machine lorsque le voyant vert (38) est allumé en permanence.

### NOTE

Lorsque les quatre voyants verts (38) sont allumés, ceci indique que la batterie est complètement chargée. Si seul le dernier voyant vert (38) est allumé et s'il commence à clignoter, vous devez recharger la batterie car la machine va s'arrêter automatiquement dans quelques minutes. Lorsque le dernier voyant vert (38) s'éteint et que les voyants rouges (39 et 40) commencent à clignoter, cela signifie que la machine va s'arrêter automatiquement dans quelques secondes. (Voir la procédure correspondante au chapitre Maintenance).

## ⚠ ATTENTION !

Ne pas utiliser la machine lorsque les batteries ne sont pas suffisamment chargées ; cela risque d'endommager les batteries et de raccourcir leur durée de vie.

## VIDANGE DU RÉSERVOIR

Lorsque le réservoir de récupération est plein, un système de fermeture à flotteur (36) bloque le circuit d'arrivée relié au moteur d'aspiration. Une augmentation soudaine du bruit du moteur d'aspiration indique que le réservoir de récupération est plein et doit être vidé immédiatement.

## ⚠ ATTENTION !

Si le moteur du système d'aspiration s'arrête brutalement (du fait d'un mouvement soudain résultant du déclenchement du flotteur) et si vous devez reprendre le nettoyage, procédez comme indiqué ci-après : Appuyez sur l'interrupteur Marche/Arrêt (41 et 42) pour couper l'alimentation et le moteur du système d'aspiration puis ouvrez le couvercle du réservoir de récupération (25) afin de vérifier si le flotteur est revenu à sa position à la surface de l'eau. Fermez le couvercle du réservoir de récupération (25) et appuyez sur l'interrupteur Marche/Arrêt (41 et 42) pour rallumer la machine et le moteur du système d'aspiration



## VIDANGE DU RÉSERVOIR DE RÉCUPÉRATION

1. Eteignez la machine.
2. Relevez la raclette (14).
3. Amenez la machine à l'endroit prévu pour vidanger les réservoirs.
4. Saisissez la poignée (2) et inclinez la machine vers l'arrière, jusqu'à ce que la roue de guidage touche le sol.
5. Retirez le tuyau de vidange de son attache, courbez le l'extrémité supérieure du tuyau (A, Figure 13) et ôtez le bouchon du tuyau de vidange. Baissez le tuyau le plus bas possible ou posez-le sur le sol de façon à permettre à l'eau de s'écouler. Vous pouvez également mettre le tuyau de vidange en position basse ou le poser sur le sol de façon ce que l'orifice d'évacuation de l'eau soit orienté vers le bas (B, Figure 13) puis dévissez le bouchon de vidange pour vidanger l'eau du réservoir. Une fois la vidange terminée, rincez l'intérieur du réservoir de récupération à l'eau claire.

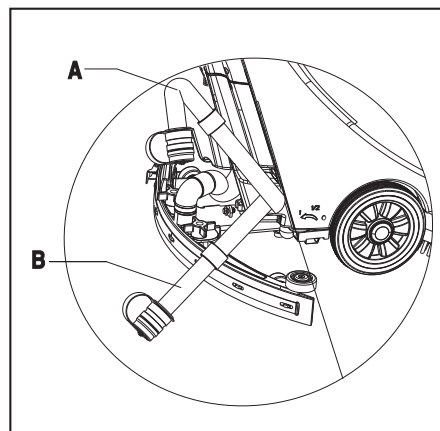


FIGURE 13

## ⚠ ATTENTION !

Lors de la vidange de l'eau usée, le tuyau de vidange doit se trouver plus bas (Figure 13 A ou B) et le bouchon doit être enlevé pour que l'eau usée puisse s'écouler. Veillez à ce que l'orifice du tuyau de vidange ne soit pas dirigé vers le haut, l'opérateur risquant d'être arrosé d'eau usée.

## VIDANGE DU RÉSERVOIR DE SOLUTION

6. Procédez comme indiqué aux points 1 à 4.
7. Comme illustré Figure 14, ouvrez le couvercle du réservoir de solution (A) en le tournant dans le sens contraire des aiguilles d'une montre (C) de façon à vidanger complètement le réservoir. Rincez l'intérieur du réservoir de solution à l'eau propre. Une fois cette opération terminée, remettez le couvercle du réservoir de solution (A) en place en le revissant dans le sens des aiguilles d'une montre (B).

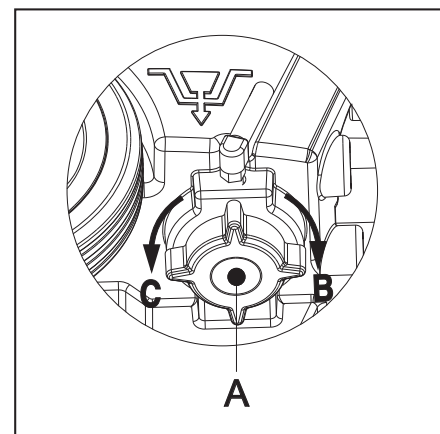


FIGURE 14

## APRÈS CHAQUE UTILISATION

Une fois le nettoyage terminé et avant de ranger la machine, effectuez les opérations suivantes :

1. Enlevez la brosse ou le porte-disque
2. Videz le réservoir de solution et rincez-le à l'eau claire
3. Videz le réservoir de récupération et rincez-le à l'eau claire
4. Effectuez toutes les procédures d'entretien quotidien. (voir le chapitre Maintenance)
5. Démontez et rincez la raclette à l'aide d'un chiffon humide.
6. Ne pas revisser à fond le couvercle du réservoir de récupération de façon à laisser l'air circuler librement.

## PÉRIODE DE NON-UTILISATION

Si la machine ne doit pas être utilisée pendant plus d'un mois, procédez de la façon suivante :

1. Effectuez la procédure réalisée normalement après chaque utilisation.
2. Débranchez le connecteur (9) reliant la batterie à la machine.
3. Pour ne pas endommager les batteries, celles-ci doivent être chargées tous les 3 mois.

## PREMIÈRE UTILISATION

Au bout de 9 heures d'utilisation, vérifiez que toutes les connexions (électriques et mécaniques) sont bien serrées et que la machine n'a subi aucun dommage en cours d'utilisation. Vérifiez qu'il n'y a aucune fuite d'eau.

## ENTRETIEN ET MAINTENANCE

Une maintenance et un entretien adaptés et réguliers vous garantiront une durée de vie optimale et le bon fonctionnement de la machine.

Le tableau ci-dessous reprend toutes les opérations de maintenance régulière à effectuer sur la machine. La fréquence de ces interventions est déterminée dans une large mesure par les conditions d'utilisation de la machine. Ces fréquences doivent être définies par le responsable de la maintenance.

### **⚠ AVERTISSEMENT !**

Ces opérations ne doivent être effectuées qu'après avoir coupé l'alimentation et débranché la batterie qui alimente la machine. Avant de procéder à ces interventions, veuillez lire attentivement les chapitres de ce manuel ayant trait à la sécurité.

Toute intervention de maintenance doit être réalisée par du personnel qualifié ou un centre d'entretien agréé Clean Freak.

Ce manuel ne traite que des opérations de maintenance les plus simples et les plus courantes.

Pour toute autre intervention de maintenance, non décrite dans le tableau des opérations d'entretien planifiées, veuillez contacter votre distributeur Clean Freak local.

## TABLEAU DES OPERATIONS D'ENTRETIEN PLANIFIÉES

	Après chaque utilisation	Toutes les semaines	Tous les six mois	Tous les ans
Mise en charge de la batterie				
Nettoyage de la raclette				
Nettoyage de la brosse du porte-disque				
Nettoyage du réservoir d'eau et du filtre du flotteur. Inspection des joints d'étanchéité des réservoirs				
Inspection et remplacement des lames de la raclette				
Nettoyer le filtre de la solution				
Nettoyage du filtre du moteur d'aspiration				
Vérification du niveau de liquide de la batterie Humide				
Vérifier que les écrous et les boulons sont bien serrés			(1)	
Vérification des balais au carbone du moteur de la brosse				(2)
Vérification des balais au carbone du moteur d'aspiration*				(2)

(1) = Après 9 heures de fonctionnement.

(2) = Cette intervention de maintenance doit être exécutée par un Centre d'entretien agréé.

## MISE EN CHARGE DE LA BATTERIE

### NOTE

Il est temps de recharger la batterie lorsque le voyant d'avertissement ambre ou rouge s'allume ou une fois l'opération de nettoyage terminée.

### **⚠ ATTENTION !**

Maintenir la batterie complètement chargée afin de prolonger sa durée de vie.

Lorsque l'alimentation batterie devient insuffisante, celle-ci doit être rechargée le plus rapidement possible. Vérifiez le chargeur au moins une fois par semaine.

Si la machine n'est pas équipée d'un chargeur intégré, veillez à bien choisir un chargeur externe adapté pour recharger la batterie.



## **⚠ AVERTISSEMENT !**

Soyez particulièrement vigilant lors de la mise en charge de la batterie, car des fuites d'acide peuvent se produire pendant que la batterie est en charge. L'acide de batterie est corrosif. En cas de contact avec la peau ou les yeux, rincez à l'eau claire et consultez un médecin.

1. Ouvrez le couvercle du réservoir de récupération (25) et regardez si le réservoir est vide ou non. S'il n'est pas vide, vidangez-le à l'aide du tuyau de vidange. (15).
2. Amenez la machine jusqu'à un endroit où vous pouvez remettre la batterie en charge.
3. Appuyez sur l'interrupteur principal (41) pour le mettre sur "Off" et éteindre la machine.
4. Uniquement pour les batteries humides :
  - Vérifiez le niveau d'électrolyte dans la batterie. Si nécessaire, refaire le niveau par l'orifice situé dans le couvercle.
  - Laissez tous les couvercles ouverts.
  - Si nécessaire, nettoyez la surface de la batterie.
5. Sélectionnez l'une des procédures suivantes pour recharger la batterie, en fonction du modèle de batterie installé.

### **CHARGER LA BATTERIE A L'AIDE D'UN CHARGEUR EXTERNE**

6. Vérifiez que le chargeur externe est compatible avec le type de batterie utilisé. La tension de sortie doit être de 24 V CC.
7. Branchez le connecteur batterie sur le chargeur externe puis branchez le chargeur sur une prise de courant adaptée.
8. Une fois la batterie chargée, branchez le connecteur de charge de la batterie sur la machine.

### **CHARGER UNE BATTERIE A L'AIDE D'UN CHARGEUR INTÉGRÉ (EN OPTION)**

9. Enlevez le cache en caoutchouc situé à l'extrémité du connecteur de charge de la batterie.
10. Branchez l'extrémité du connecteur de charge de la batterie sur l'alimentation à l'aide d'un câble de raccordement. (Vérifiez que la tension en entrée du chargeur intégré est bien de 110 V – 120 V, la tension de sortie de 24 V et que la fréquence correspond à la fréquence requise.) Dès lors que le chargeur est branché sur l'alimentation, toutes les autres fonctions sont coupées automatiquement. Si le voyant rouge d'avertissement du chargeur intégré reste allumé, cela signifie que le chargeur recharge la batterie.
11. Lorsque le voyant vert (47) s'allume, cela indique que le cycle de charge de la batterie est terminé.
12. Une fois la batterie rechargée, débranchez le câble de raccordement du connecteur de charge de la batterie et de l'alimentation et remettez le cache en caoutchouc en place.
13. Débranchez le câble du chargeur de l'alimentation et enrroulez le câble sur la bobine (6).

#### **NOTE**

Pour plus d'informations sur le chargeur intégré (35), reportez-vous au manuel de l'utilisateur du chargeur.

### **NETTOYAGE DE LA RACLETTE**

#### **NOTE**

Afin de garantir des performances optimales de la raclette, celle-ci doit être conservée propre et les lames doivent être maintenues en bon état.

## **⚠ ATTENTION !**

Lors du nettoyage de la raclette, il est recommandé de porter des gants de protection, la raclette pouvant contenir des débris coupants ou pointus.

1. Amenez la machine sur une surface lisse et plane.
2. Appuyez sur l'interrupteur principal (41) pour le mettre sur "O" et éteindre la machine.
3. Dévissez l'écrou de fixation de la raclette (16), retirez le tuyau d'aspiration de la raclette et déposez celle-ci.
4. A l'aide de la poignée de réglage de la raclette (14), relevez le support de fixation de la raclette.
5. A l'aide d'un chiffon humide, nettoyez la raclette (Figure 15). Nettoyez en particulier la rainure (A, Figure 15) et enlevez les saletés et les fragments accumulés sur le tuyau d'aspiration. Vérifiez que la lame avant (C) et la lame arrière (D) sont en bon état et si les bords sont fendus ou abîmés. Remplacez-les si nécessaire (voir la procédure à suivre, au chapitre suivant).
6. Remettez la raclette en place en procédant dans l'ordre inverse.

## VÉRIFICATION ET REMPLACEMENT DE LA LAME DE LA RACLETTE

- Suite à la procédure décrite au chapitre précédent pour nettoyer la raclette (Figure 15)
- Vérifiez le bord (E, Figure 15) de la lame avant de la raclette et le bord (F) de la lame arrière (D). Celles-ci doivent être régulières sur toute leur longueur. Si ce n'est pas le cas, réglez la hauteur de celles-ci en suivant la procédure ci-après.
  - Desserrez l'attache (G) de façon à dissocier la lame arrière (D) du support (M) pour pouvoir régler la position de la raclette. Une fois ce réglage effectué, remettre l'attache en place.
  - Desserrez la vis située sur la poignée (I) de façon à régler la lame avant de la raclette (C) ; une fois le réglage effectué, resserrez la vis de la poignée.
- Vérifiez que la lame avant (C) et la lame arrière (D) sont en bon état et que les bords ne sont pas fendus ou abimés. Si ceux-ci sont abimés, remplacez-les en procédant comme indiqué ci-après. Si le bord avant de la lame arrière (J) est usé, il est possible de retourner la lame et de la remettre en place (pour cela, le bord supérieur doit être en bon état). Si le bord supérieur est lui aussi usé, remplacez la lame en procédant comme indiqué ci-après.
  - Desserrez l'attache (G) pour dissocier la lame du support (M) ; retirez la barre d'attache (K) puis remplacez ou retournez la lame arrière (D). Remettez la lame arrière en place en procédant dans l'ordre inverse du démontage.
  - Desserrez la vis de la poignée (I) et enlevez la barre d'attache avant (L), puis remplacez la raclette avant (C). Remettez la lame avant en place en procédant dans l'ordre inverse du démontage. Après avoir remplacé la lame de la raclette, réglez le niveau des lames avant et arrière en vous référant aux procédures décrites précédemment.
- Raccordez le tuyau d'aspiration (11) à la raclette.
- Mettez la raclette en place et serrez les écrous de fixation.
- Si nécessaire, réglez la raclette à l'aide du bouton de réglage (20) (voir les procédures d'équilibrage de la raclette).

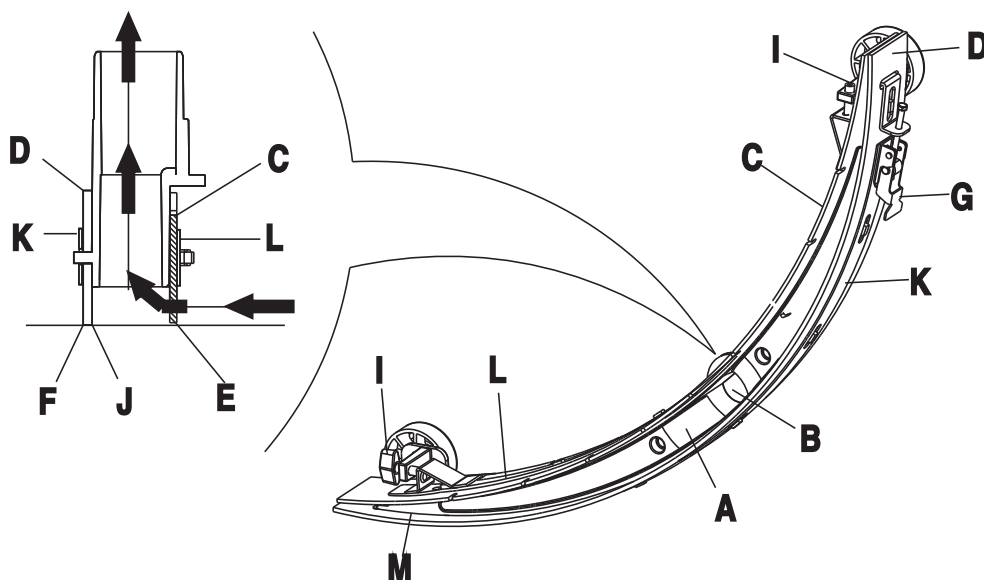


FIGURE 15

## NETTOYAGE DE BROSSE/DU TAMPON

### ⚠ ATTENTION !

Lors du nettoyage de la brosse ou du porte-disque, il est recommandé de porter des gants de protection, la brosse ou le disque pouvant contenir des débris pointus ou tranchants.

- Enlevez la brosse ou le porte-disque
- Nettoyez la broche et le porte-disque avec de l'eau et des détergents.
- Examinez la brosse pour voir s'il n'est pas usé et si nécessaire remplacez-la.
- Examinez le porte-disque afin de vérifier qu'il n'est pas usé et si nécessaire remplacez-le.

## NETTOYAGE DU RÉSERVOIR D'EAU ET DU TAMIS DU FILTRE DU FLOTTEUR

1. Amenez la machine dans un endroit prévu pour la vidange.
2. Appuyez sur l'interrupteur principal (41) pour le mettre sur "O" et éteindre la machine.
3. Ouvrez le couvercle du réservoir de récupération (A, Figure 16) et démontez le mécanisme du flotteur (36) situé à l'intérieur du réservoir.
4. Rincez à l'eau claire le couvercle du réservoir de récupération (A), le réservoir (B et C) et le boîtier du filtre (E). Vidangez toute l'eau du réservoir d'eau.
5. Si nécessaire, en vous référant aux symboles « Ouvrir » et « Fermer » repérés sur la Figure 16, ouvrez le bouchon inférieur (F) du filtre et nettoyez le flotteur (D), le boîtier du filtre (E) et le joint du filtre (I). Après avoir nettoyé ces différents éléments, refixez le flotteur sur le support (E) puis alignez la fente (L) du bouchon inférieur (F) du filtre sur la fente (L) située sur le boîtier du filtre (E). Remettez le bouchon inférieur (F) du filtre du flotteur en le serrant bien, remettez le joint du filtre (I) sur le boîtier (E), puis sur le tube d'aspiration (M).
6. Examinez le joint ou la garniture d'étanchéité (G) du couvercle du réservoir de récupération. Si nécessaire, sortez le joint d'étanchéité (G) de son logement (H) et le remplacez. Lors de la mise en place du joint neuf, comme illustré sur la Figure 16 ci-dessous, installez le connecteur de la section intermédiaire de la partie arrière.

### NOTE

Le joint d'étanchéité (G) du réservoir de récupération permet de créer le vide à l'intérieur du réservoir. Il doit être parfaitement étanche pour pouvoir aspirer efficacement l'eau usée sur le sol.

7. Vérifiez que la surface de contact de la bande d'étanchéité (G) est intacte et assure une bonne étanchéité.
8. Refermez le couvercle du réservoir de récupération (A).

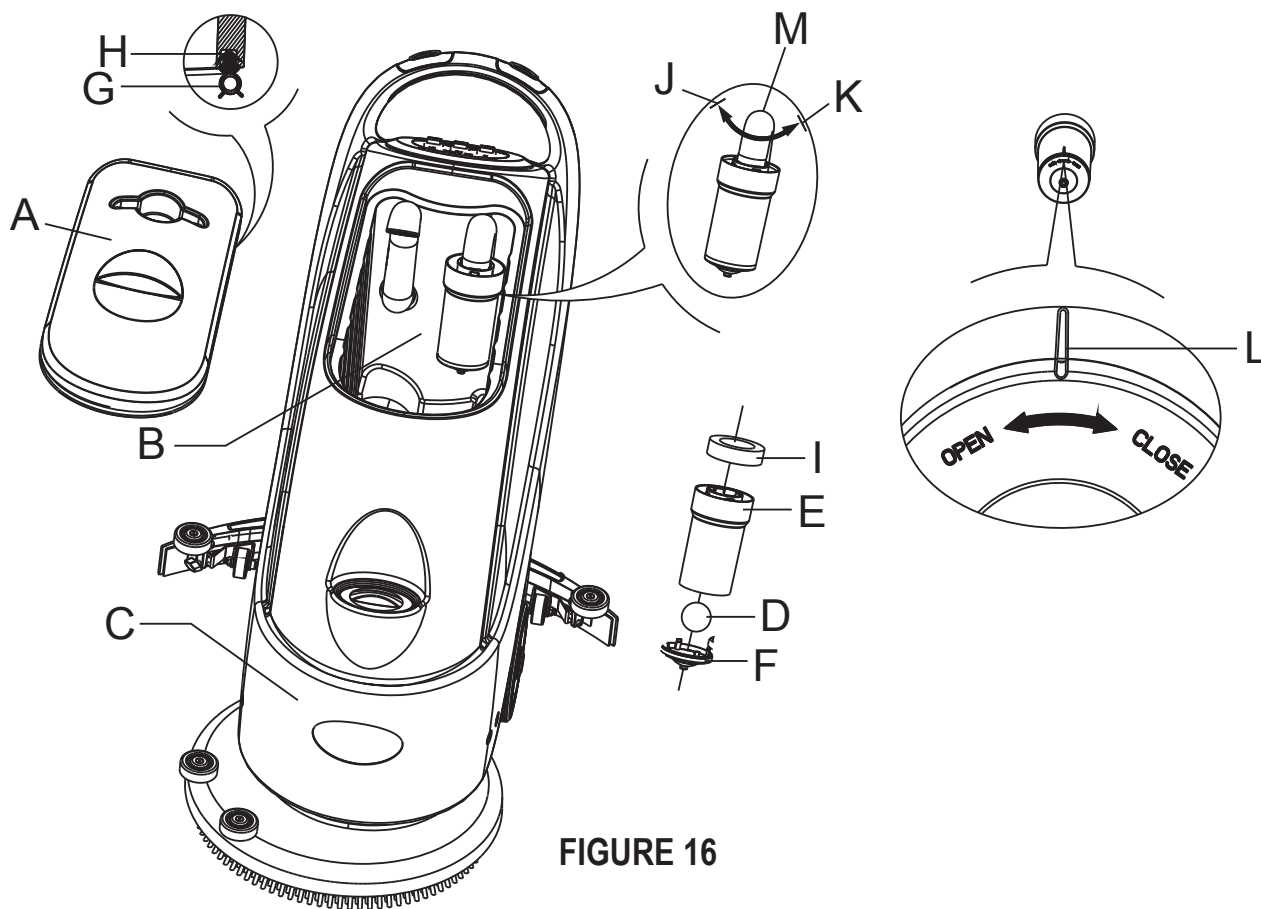


FIGURE 16

## NETTOYAGE DU FILTRE DE SOLUTION

1. Vidangez toute l'eau du réservoir de solution en procédant comme indiqué précédemment.
2. Amenez la machine sur une surface lisse et plane.
3. Appuyez sur l'interrupteur principal (41) pour le mettre sur "O" et éteindre la machine.
4. Fermez le clapet à bille de vidange (A, Figure 17) (situé dans la partie inférieure de la machine, derrière les roues) Mettez le clapet à bille B en position ouverte et le clapet à bille C en position fermée.
5. Enlevez le couvercle transparent (D) puis enlevez le filtre (E) ; les placer sur le boîtier du filtre (F) après les avoir nettoyés.

### NOTE

Le filtre (E) doit être bien positionné à l'endroit précis prévu à cet effet du boîtier (G).

6. Ouvrez le clapet de vidange (A).

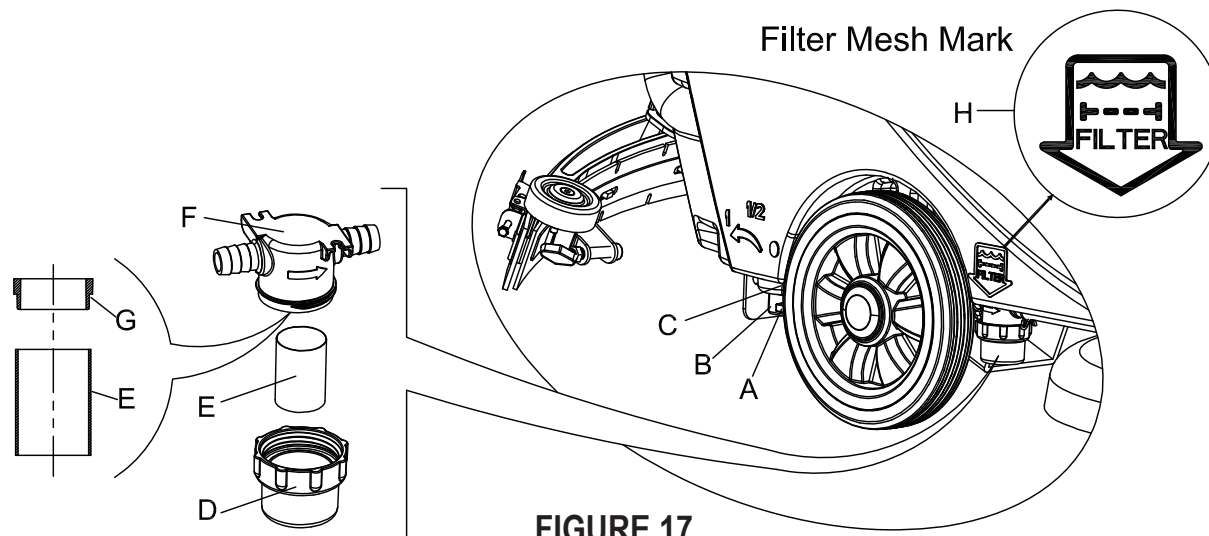


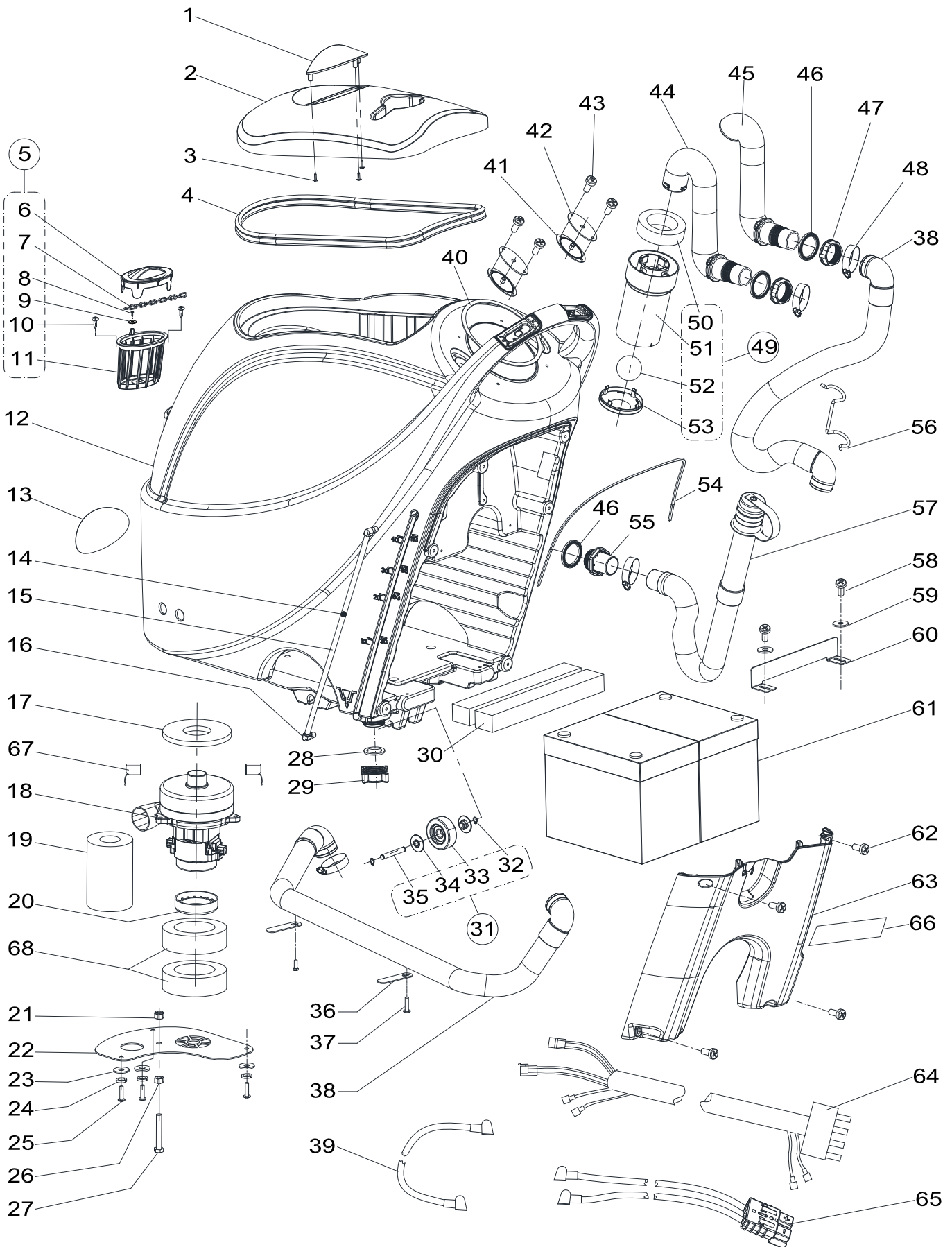
FIGURE 17

## DÉPANNAGE

Problème	Cause probable	Solutions
La machine ne fonctionne pas Le voyant n'est pas allumé	Le connecteur batterie (9) n'est pas branché.	Branchez le connecteur de batterie.
	La batterie est déchargée.	Chargez la batterie
Les voyants (39 et 40) clignotent	Surcharge du moteur de la brosse	Utilisez une brosse plus souple adaptée au sol à nettoyer.
	Des saletés empêchent la brosse de tourner	Dégagez la brosse
La brosse ne fonctionne pas	Le fusible de la brosse a sauté	Le réenclencher
	La courroie glisse	Vérifiez et réglez la tension de la courroie
Le moteur d'aspiration ne fonctionne pas	Le fusible du moteur d'aspiration a sauté	Le réenclencher
L'aspiration ne se fait pas bien	Le réservoir de récupération est plein	Vidangez le réservoir de récupération
	Le tuyau de vidange et le tuyau de la raclette sont mal branchés	Branchez le tuyau de vidange et le tuyau de la raclette correctement
	Le filtre du flotteur est bouché ou l'orifice d'arrivée est bouché	Nettoyez le filtre du flotteur et vérifiez la bille du flotteur
	La raclette est sale ou la lame de la raclette est usée et abimée	Examinez et nettoyez la raclette
	Le couvercle du réservoir de récupération n'est pas étanche ou le joint du réservoir de récupération est abimé	Remettez le couvercle bien en place, remplacez le joint d'étanchéité du réservoir de récupération
L'alimentation en eau de la brosse n'est pas adaptée	Le filtre est sale	Nettoyez le filtre
La raclette laisse des marques	Il y a des saletés sous la lame de la raclette	Retirez les saletés ou débris retenus
	La lame de la raclette est usée, fendue ou effritée	Changez la lame de la raclette
	La raclette est mal équilibrée	Rééquilibrez --la



TANK SYSTEM



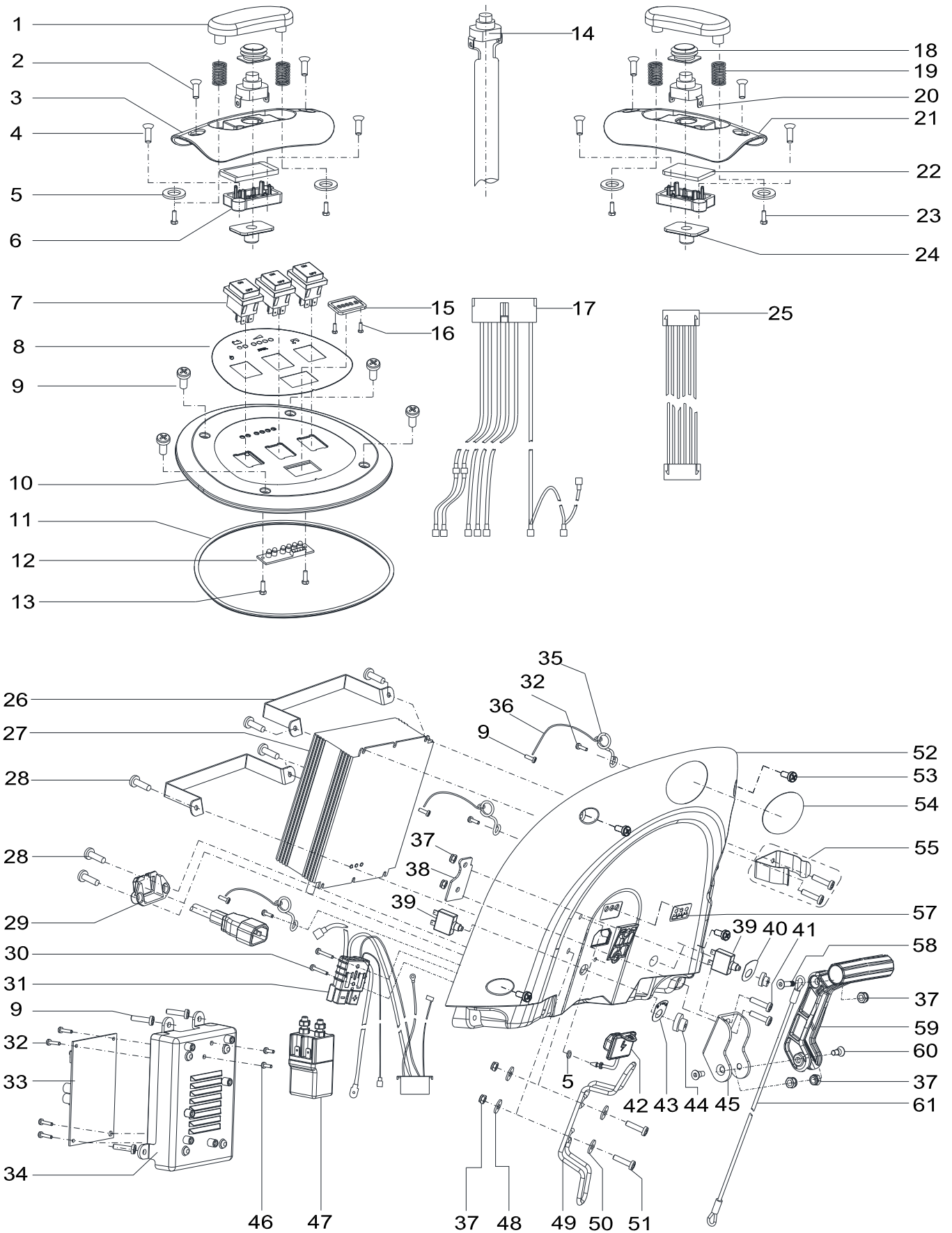
## TANK SYSTEM

Item	Ref. No.	Qty	Description	Item	Ref. No.	Qty	Description
1	VF90412A	1	Handle, Recovery Tank Cover	34	VF90308	2	2.5" Hub Cap
2	VF90503A	1	Recovery Tank Cover	35	VF90314	1	Transport Wheel Shaft
3	VA80758	3	Screw	36	VF90510	2	Retainer Plate
4	VF90504	1	Gasket	37	VF90235	2	Screw Tm4x10
5	VF90619A	1	Tank Filter Net Kit	38	VF90508	2	Suction Hose
6	VF90612A	1	Filter Cover	39	VF90246	1	Battery Cable Kit
7#	VS10439	1	Zipper	40	VF90231	1	Gasket
8	VF90616	2	Screw Ta3.5x12	41	VF90214	2	Seal Plate Cover
9	VA13483A	2	Washer	42	VF90217	2	Seal Plate
10	VA13477	2	Screw St4x15	43	VA80758	4	Screw
11	VF90611	1	Filter Support	44	VF90529	1	Suction Tube Connector
12	VF90501A	1	Tank	45	VF90528	1	Drain Hose Connector
13	N/A	1	Logo Label	46	VF90512	3	Suction Tube Gasket
14	VF90613A	1	Floating Ball Of Water Level	47	VF90509	2	Sealing Knob
15	VF90617	1	Inspection Tube	48	VA20304	4	Clamp
16	RD60764	2	Elbow, 90°, Brass	49	VF90534	1	Float Kit
17	VF86135	1	Gasket	50	VF90530	1	Cage, Float Complete
18	VF90520	1	Vacuum Motor	51	VF90526	1	Float Bracket
19	VF85319	1	Acoustic Insulation Pipe	52	VF85124	1	Float
20	VF90523	1	Top Gasket Of Suction Motor	53	VF90527	1	Float Bracket Cover
21	VF13503	1	Nut Lock M8	54	VF90218	1	Control Seal Gasket
22	VF90511	1	Cover, Vacuum Motor	55	VF90401	1	Drain Hose Connector
23	VF14543		Washer	56	VF83150	1	Holder, "U" Hose
24	VV13601	3	Washer, Lock, Ø5	57	VF90443	1	Drain Hose-38
25	VA52245	3	Screw M5*15	58	VF90235	2	Screw Tm4x10
26	VF14066	1	Nut M8	59	VA13483	2	Washer 4
27	VF90434	1	Screw M8*65	60	VF90514	1	Battery Bracket
28	VF90513	1	Outlet O-Ring	61		2	Battery
29	VF90507	1	Outlet Cover	62	GT13054	4	Screw Tm5x12
30	VF90533	2	Battery Spacer Panel	63	VF90814A	1	Battery Cover
31	VF90312	1	2.5" Wheel Kit	64	VF90254	1	Motor Cable Assembly
32	VF14551	2	Ring D 17	65	VF90247	1	Power Cable
33	VF90306	1	2.5" Wheel	66	VF90026	1	Warning Label
				67#	VF90522	2	Carbon Brush Kit
				68#	VS10007	2	Acoustic Insulation Pipe

# = Revised or new since last update



CONTROL SYSTEM AND ELECTRICAL SYSTEM

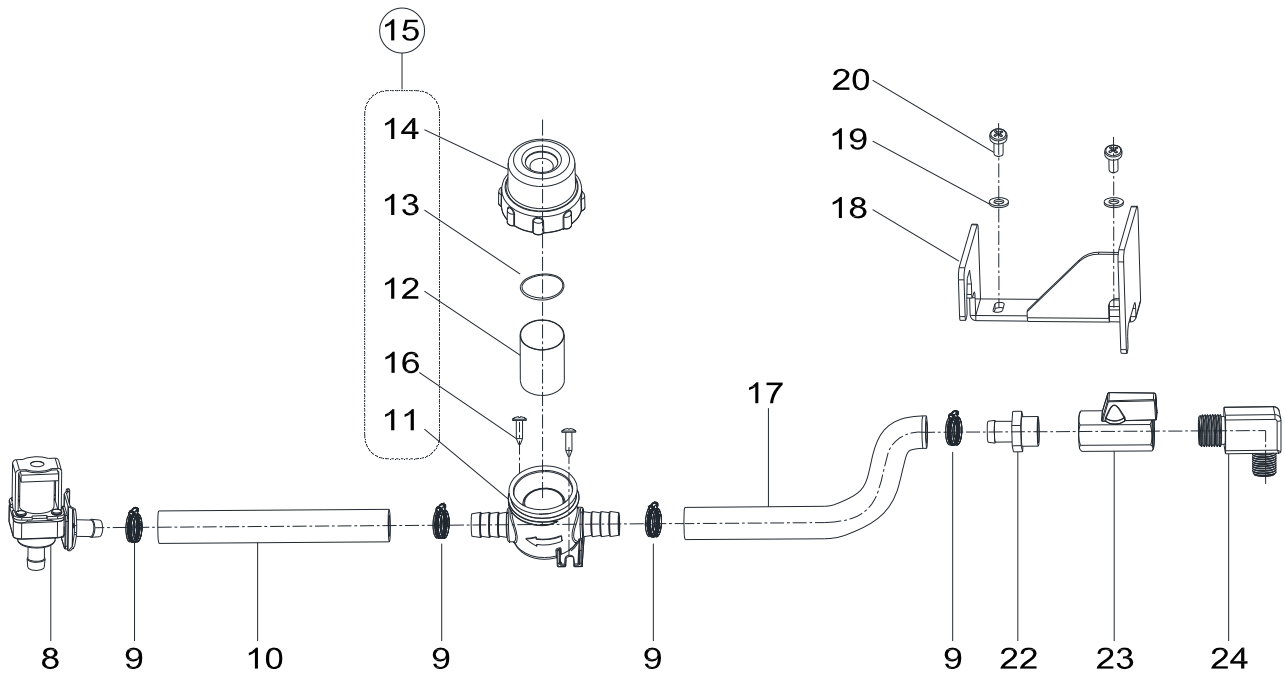
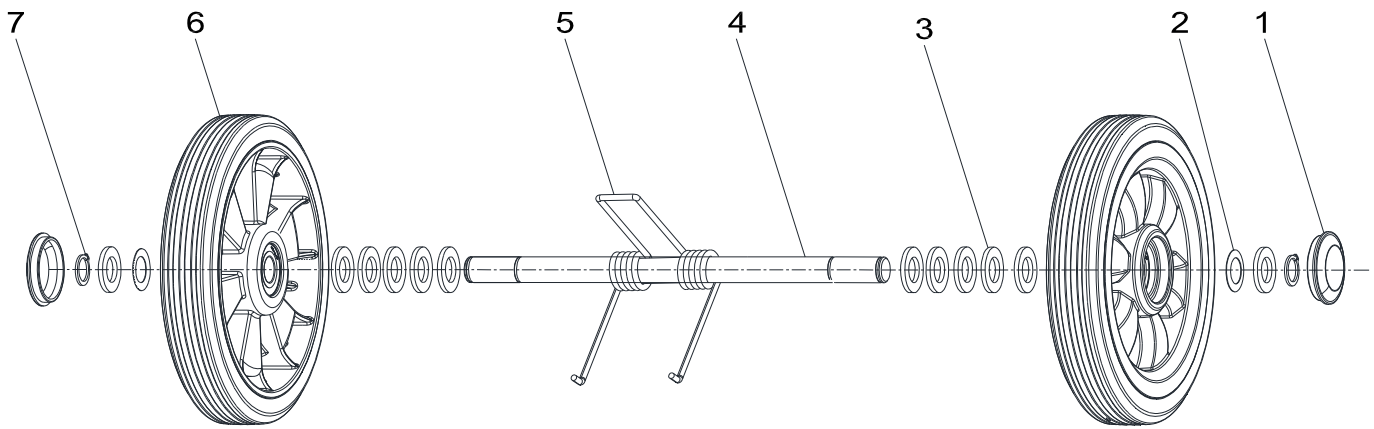


## CONTROL SYSTEM AND ELECTRICAL SYSTEM

Item	Ref. No.	Qty	Description	Item	Ref. No.	Qty	Description
1	VF90203A	2	Safety Switch Knob	32	GT13091	9	SCREW PB3.5x9.5
2	VV68303	4	Screw KT3.5x15	33	VF90238-1	1	17" Control Circuit Board
3	VF90201A	1	Safety Switch Cover Left	34	VF90209	1	PCB Housing
4	VF90286	4	Screw KA3.5x12	35	VF90237	3	Nylon Cable Hook
5	VF90288	5	Washer $\Phi 3.6 \times \Phi 8 \times 0.5$	36	VF90221	3	Nylon Cable
6#	VF90210	2	Switch Fix Frame	37	VF14514	7	Nut Lock M5
7	VV60153	3	Switch RI2 P	38	VF90259	1	Hand Fix Panel
8	VF90008-CL	1	20" Decal Control Panel	39	ZD48320	2	Circuit Breaker
9	VF90235	11	Screw Tm4x10	40	VF90020	1	Vacuum Circuit Label
10	VF90245A	1	20" Switch Cover	41	80407A	2	Screw M5x25
11	VF90285	1	Switch Seal Strip	42	VF90215	1	Power Safety Cover
12	VF90238-2	1	Led Indicator Battery Level	43	VF90019	1	Brush Circuit Label
13	VA14584	2	SCREW PB3.0x8	44	VF89076	2	Circuit Breaker Cap
14	VF90251	2	Safety Switch Connector Cable Kit	45	VF90116	1	Hand Bracket
15	VF90287	1	Hour Meter	46	VF90243	2	Screw Pm4x8
16	VA14584	2	SCREW PB3.0x8	47	VF90230	1	Electromagnetic Switch 24v Dc
17	VF90250-1	1	20"Switch Connector Cable Kit	48	VA13400	2	Washer $\Phi 5 \times \Phi 12 \times 1$
18	VF90216	2	Switch Seal Bushing	49	VF85301	1	Cable Support
19	VF90202	4	Spring	50	VF13533	2	Washer $\Phi 6.2 \times \Phi 16 \times 1$
20	VF90252	2	Switch	51	VA13474	2	Screw M5x16
21	VF90212A	1	Safety Switch Cover Right	52	VF90815A	1	Cover Control Housing
22	VF90219	2	Gasket	53	GT13054	4	Screw Tm5x12
23	VA13469	4	Screw M3x12	54	N/A	1	20" Serial Number Label
24	VF90213	2	Switch Seal Ring	55#	VF90275	1	Clamp Drain Hose Kit
25	VF90238-3	1	Control Panel Connector Cable	57	VF90004	1	Label Battery Level
26	VF90207	2	Charger Fix Bracket	58	VF90129	1	Screw M5x20
27	VF90227-US	1	Charger	59	VF90113	1	Handle Lift
28	VA80758	6	Screw Pa4x16	60	VF90128	2	Screw M5
29	VF90211	1	Plug Fix	61	VF90114	1	Cable Squeegee Lift
30	GT13092	2	Screw ST3.5x18				
31	VF90249-1	1	20"Main Cable Kit				

# = Revised or new since last update

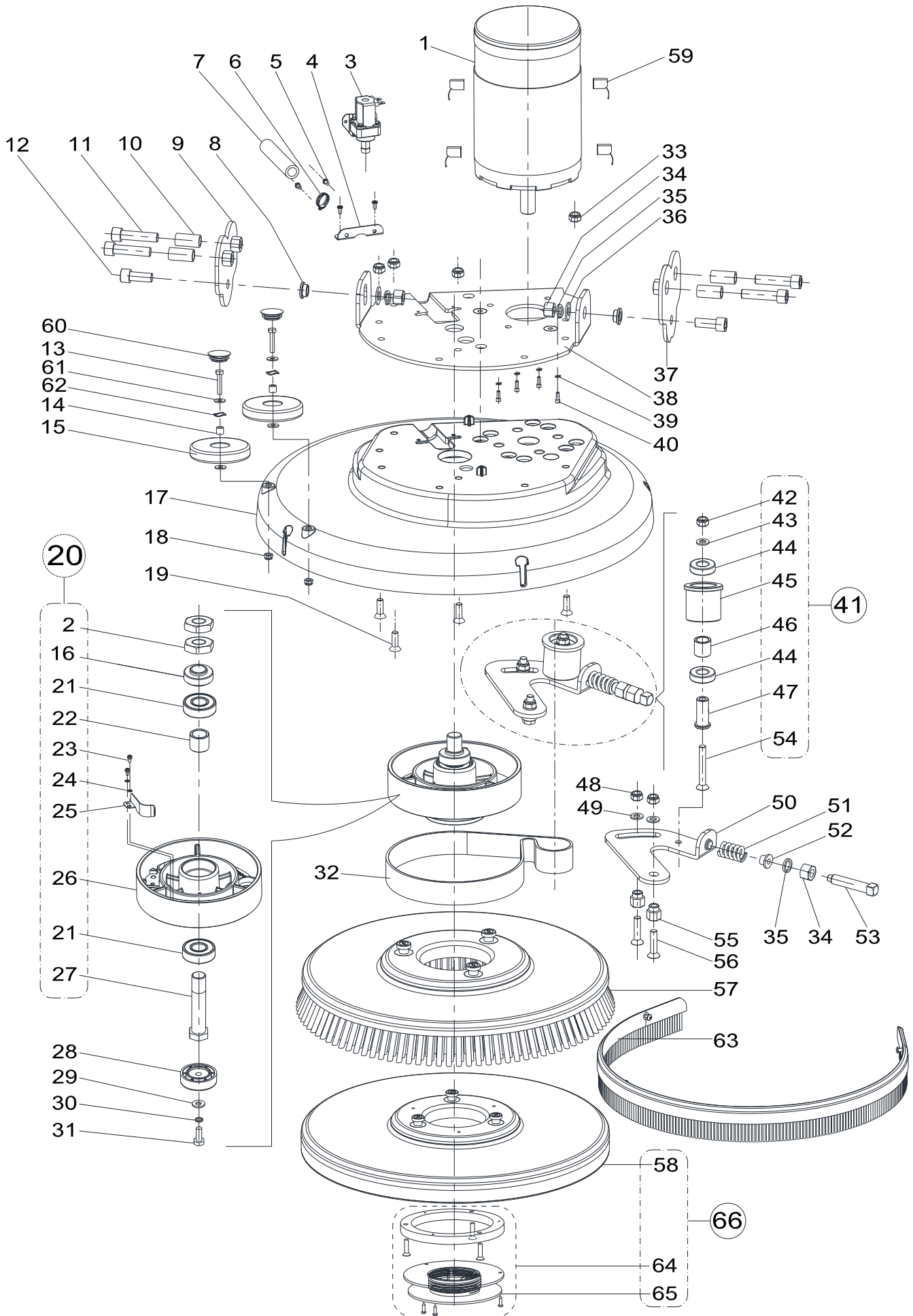
## WHEELS AND SOLUTION SYSTEM



## WHEELS AND SOLUTION SYSTEM

Item	Ref. No.	Qty	Description
1	VF89203	2	Wheel Cover
2	VF14563	2	Leville Washer
3	VF14554	12	Washer
4	VF90304	1	Wheel Shaft
5	VF82172	1	Spring 70°
6	VF90305	2	8" Wheel
7	VF14552	2	Ring D 17
8	VF90282	1	Solenoid Valve Kit
9	VV10114	4	Clamp
10	VF90440	1	Tubing L=260mm
11	VF90604	1	Filter Base
12	VF90608	1	Filter Net
13	VF90607	1	O-Ring
14	VF90603	1	Filter Cover
15	VF90621	1	Filter Kit
16	VA13507	2	Screw St4x12
17	VF90441	1	Tubing L=160mm
18	VF90625	1	Solenoid Valve Bracket
19	VA13483	2	Washer $\Phi 4 * \Phi 12.5 * 1.5$
20	VV13650A	2	Screw M4x10
22	VF80313	1	Barb, Hose
23	VF80361	1	Ball Valve
24	VF90609	1	Elbow, 90°, Brass

BRUSH SYSTEM



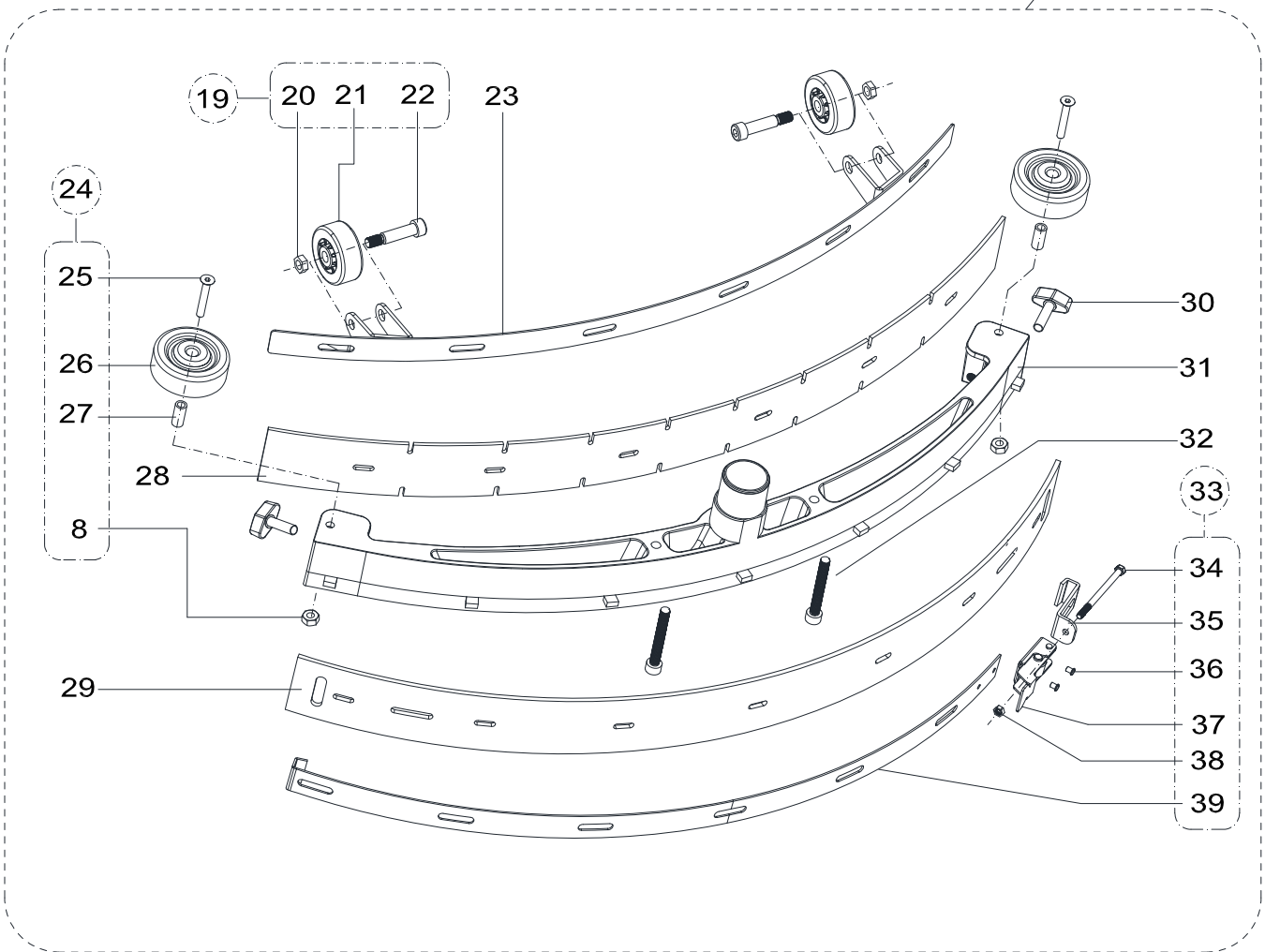
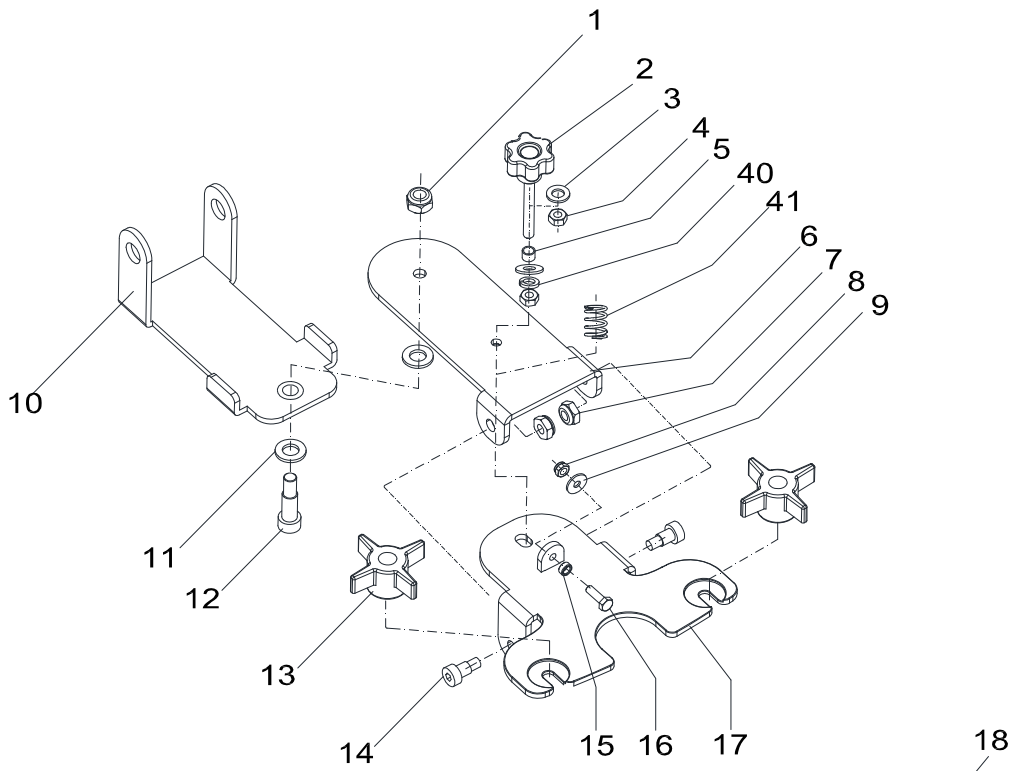
## BRUSH SYSTEM

Item	Ref. No.	Qty	Description	Item	Ref. No.	Qty	Description
1	VF90257	1	20" Brush Motor	31	VV13604	1	Screw, Shoulder M8x20
2	VF90424	2	Nut M20	32	VF90408	1	Belt
3	VF90282	1	Solenoid Valve Kit	33	VF13503	4	Nut Lock M8
4	VF90418	1	Solenoid Valve Bracket	34	VF14057A	3	Nut , M12
5	VV13650A	4	Screw M4x10	35	VF13541	3	Washer, Lock Ø12
6	VV10114	1	Clamp	36	VF13538	2	Washer ,Ø12xØ24x2
7	VF90440	1	Tubing L=260mm	37	VF90456	1	Connect Plate B
8	VF90430	2	Brass Spacer	38	VF90403	1	20" Frame
9	VF90404	1	Connect Plate	39	VV20298	4	Washer,Lock,Ø8
10	VF90421	4	Spacer	40	VV13604	4	Screw, M8x20
11#	VA13479	2	Screw M6X30	41#	VF90445	1	Tension Wheel Kit
12#	9098809000	2	Sleeve 25x10x9mm	42	VF14516	1	Nut Lock M8
13#	VS10340	2	Bumper Roller	43	VF13535	1	Washer Ø8xØ20x2
14	VF85134	2	Spacer	44	VF999821A	2	Bearing 6002
15	VF85107	2	Bumper Roller	45#	VF90072	1	Tension Wheel
16	VF90422	1	Spacer	46	VF80209	1	Spacer
17	VF90413A	1	20" Brush Deck	47	VF80214	1	Spacer
18	VF14506	2	Nut Lock M6	48	VF13503	2	Nut Lock M8
19	GT13067	4	Screw, Shoulder M8x25	49	VF13534	2	Washer Ø8.4x Ø18x 2
20	VF90444	1	Driven Pulley Kit	50	VF90427	1	Rod, Tension Wheel
21	ZD45425	2	Bearing 6204 Lu	51	VF80232	1	Spring
22	VF90423	1	Clamp Sleeve	52	VF80235	1	Spacer
23	VV13650A	2	Screw M4x10	53	VF14255	1	Screw, M12x65
24	VV20291	2	Washer,Lock,Ø4	54	GT13066	1	Screw, Shoulder M8x55
25	VF90437	1	Brush Spring Clip	55	VF90439	2	Bushing Tension Wheel
26	VF90409	1	Driven Pulley	56	VF90438	2	Screw, Shoulder M8x30
27	VF90425	1	Driven Pulley Shaft	57	VF90417	1	20"Brush
28	VF90415	1	Vibration Gasket	58#	VF90416	1	20 Inch Pad
29	VF13534	1	Washer Ø8.4x Ø18x 2	59#	VF91041	4	Carbon Brush Kit
30	VV20298	1	Washer,Lock,Ø8	60#	VF85128	2	Cap Black
				61#	VF14543	4	Washer
				62#	VF13540	2	Wave Washer Ø6
				63#	VS13752	1	20" Skirt Kit
				64#	VS10131	1	Retainer Pad Kit
				*65#	VF99003A	1	Retainer Pad
				66#	VF90454	1	20" Pad With Retainer

# = Revised or new since last update

\* = Optional

# SQUEEGEE SYSTEM

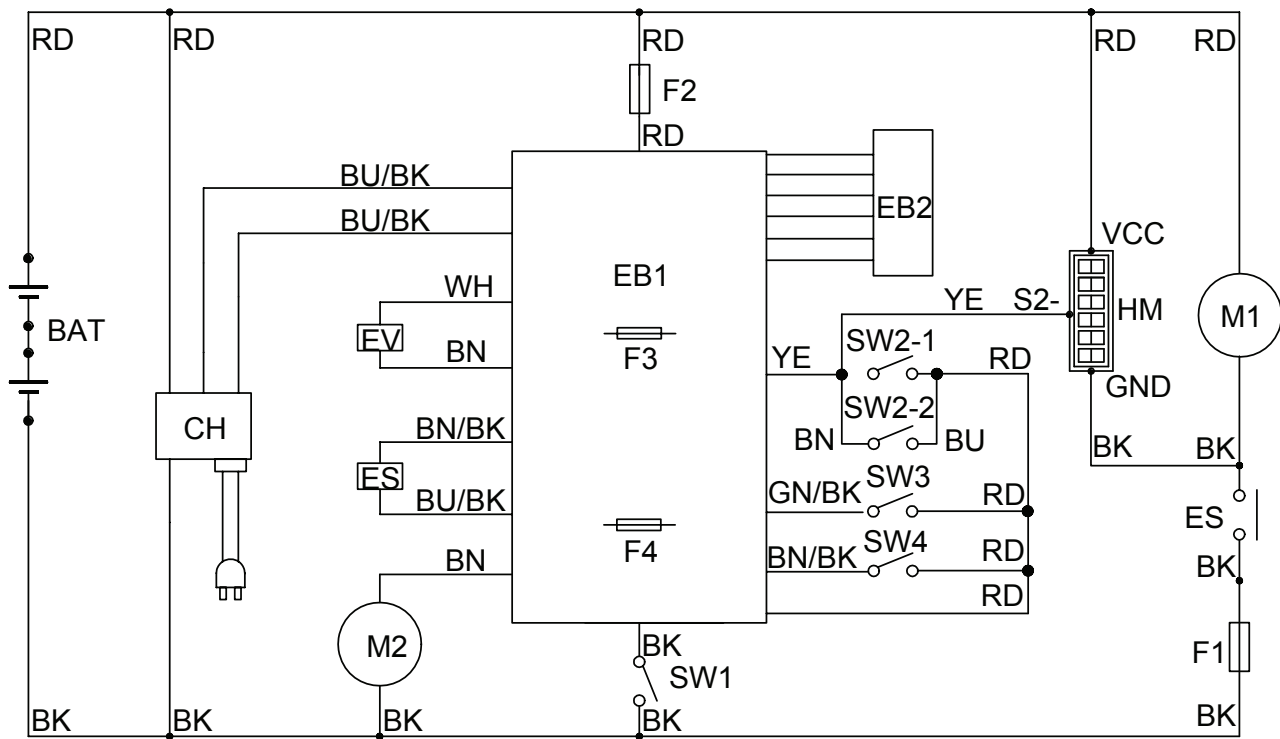




## SQUEEGEE SYSTEM

Item	Ref. No.	Qty	Description
1	VF14547	1	Screw Lock M10
2#	VF85143	1	Hand Wheel
3#	VF13514A	2	Washer $\Phi 8 \times \Phi 16.5 \times 1$
4#	VF14503	2	Nut M8
5	VF90133	1	Spacer
6	VF90110	1	Back-Squeegee-Support
7	VF14516	2	Nut Lock M8
8	VF14506	3	Nut M6
9	VF13533	1	Washer Flat $\Phi 6$
10	VF90111	1	Front-Squeegee-Support
11	VF85336	2	Washer Nylon
12#	VF14525	1	Screw Shoulder
13	VF81210	2	Knob
14	VF84228	2	Screw Shoulder M8
15	VF82112	1	Spacer
16	VF14233	1	Screw
17	VF90109	1	Squeegee-Support
18	VF90135	1	20" Squeegee Kit
19	VF90136	2	Squeegee Roll Wheel Kit
20	VV20203	2	Nut Lock
21	VF81219	2	2" Wheel
22	VF81222	2	Bolt Shoulder 5/16"
23	VF90118	1	20" Strap, Squeegee Front
24	VF90137	2	Bumper Roller Kit
25	VF14530	2	Screw M6 $\times$ 40
26	VF85107	2	Bumper Roller
27	VF85134	2	Spacer
28	VF90119	1	20" Blade Front (NR)
	VF90148	1	20" Blade Front (PU)
29	VF90120	1	20" Blade Rear (NR)
	VF90149	1	20" Blade Rear (PU)
30	VF85420	2	Wing Nut M8 $\times$ 30
31	VF90117	1	Squeegee 20"
32	VF90127	2	Squeegee Screw
33	VF90139	1	20" Strap, Squeegee Back Kit
34	VF14305	1	Screw M5 $\times$ 60
35	VF90121	1	Hook
36	VF81208A	2	Rivet $\Phi 4 \times 5$
37	VF81218A	1	Latch Hood
38	GT13022	1	Nut Lock M5
39	VF90106	1	20" Strap, Squeegee Back
40#	VF13519	1	Washer, Lock, $\Phi 8$
41#	VS10518	1	Spring

# = Revised or new since last update



### WIRING DIAGRAM

Item	Ref. No.	Qty	Description
BAT			Battery
CH	VF90227-US	1	Charger
EB1	VF90238-1	1	17" Control Circuit Board
EB2	VF90238-2	1	Led Board
ES	VF90230	1	Contactor
EV	VF90282	1	Solenoid Valve
F1	VF90744	1	Brush Circuit Breaker
F2	ZD48320	1	Vacuum Circuit Breaker
M1	VF90257	1	20" Brush Motor
M2	VF90520	1	Vacuum Motor
SW1	VV60153	1	Power Switch
SW2	VF90252	1	Brush Motor Switch
SW3	VV60153	1	Vacuum Motor Switch
SW4	VV60153	1	Solenoid Valve Switch
HM	VF90287	1	Hour Meter



