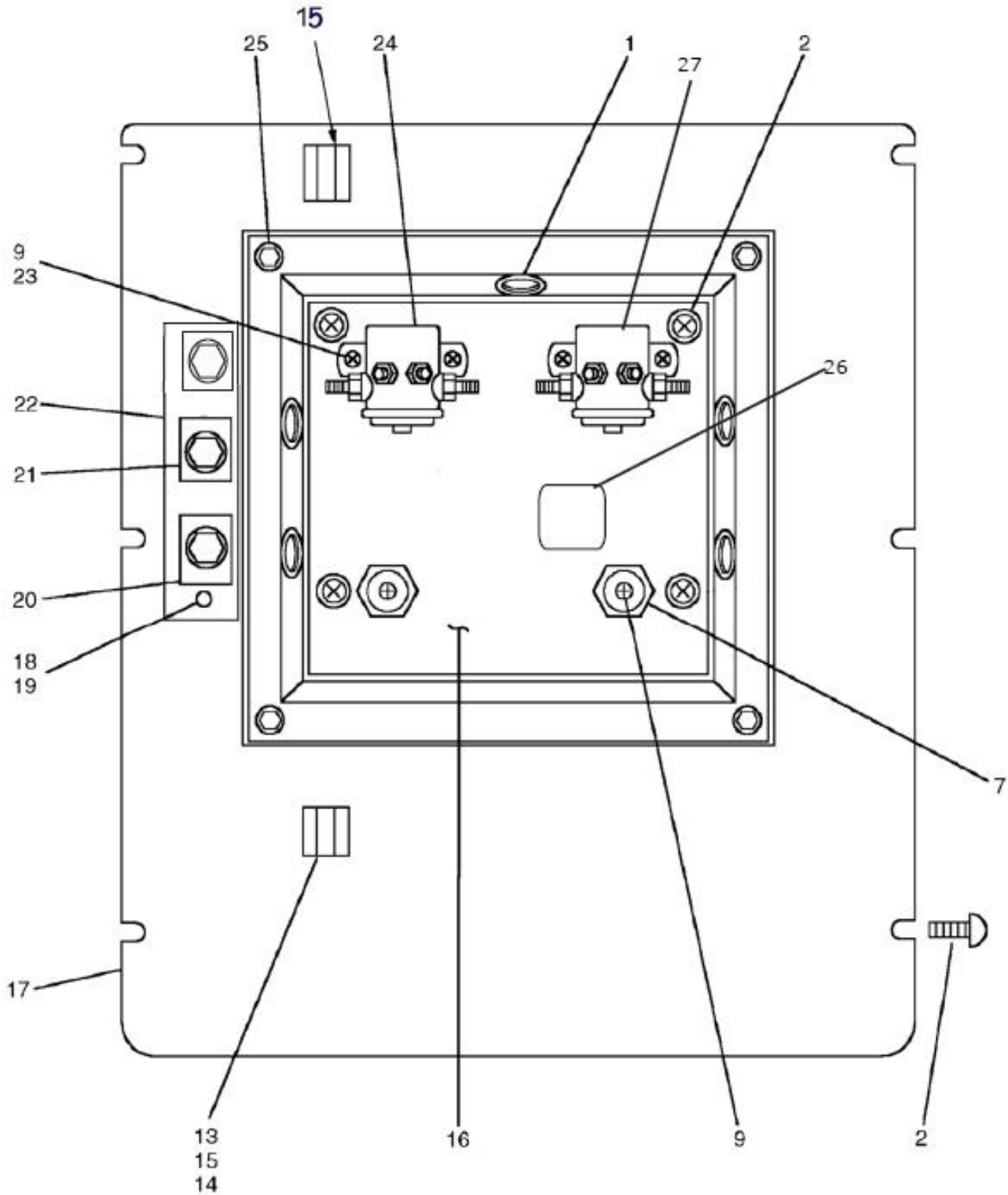


Tornado [Mar. 6, 2013]/Year 2000-Current: Schematics, Accessories, Brochures, Replacement & Optional Items/Automatic Scrubbers/20" & 24" EZ Floorkeepers/99105A 20" EZ BD Floorkeeper (w/ 2-12 V Batteries) - Series F/Rear Access Panel Assembly



No.	Part No.	Qty.	Description
1	15330	4	GROMMET 5/8 ID
2	06192	8	SCREW PHIL. TRUSS HD
5	05427	1	SCREW PHIL. RND HD MACH
7	15345	2	BUSHING INSULATOR
9	04442	10	SCREW PHIL. PAN HD MACH
13	00128	4	SCREW PHIL. RND HD MACH
14	02956	4	NUT HEX.LOCK(KEPS)
15	18468	2	Sight Tube Retaning Clip
16	18255	1	WELDMENT RELAY MOUNTING
17	31028	1	PANEL, BACK ACCESS
	33918		TANK PANEL EZ (31028)
18	03660	2	SCREW PHIL. PAN HD MACH
19	10894	4	NUT HEX.LOCK(P/T)
20	18219	2	Circuit Breaker 25A
21	18220	1	Circuit Breaker 45A
22	18355	1	PLATE CIRCUIT BREAKER
23	15545	4	NUT RETAINER
24	33910	1	Relay 24V 25A w/Internal Diode
25	19329	4	PIN RETAINING ACCESS PNL
26	33917	1	RELAY
27	33909	1	Relay 24V 50A
NOT SHOWN	16674	0.5 FT	GROMMET CONT.SER PLASTIC